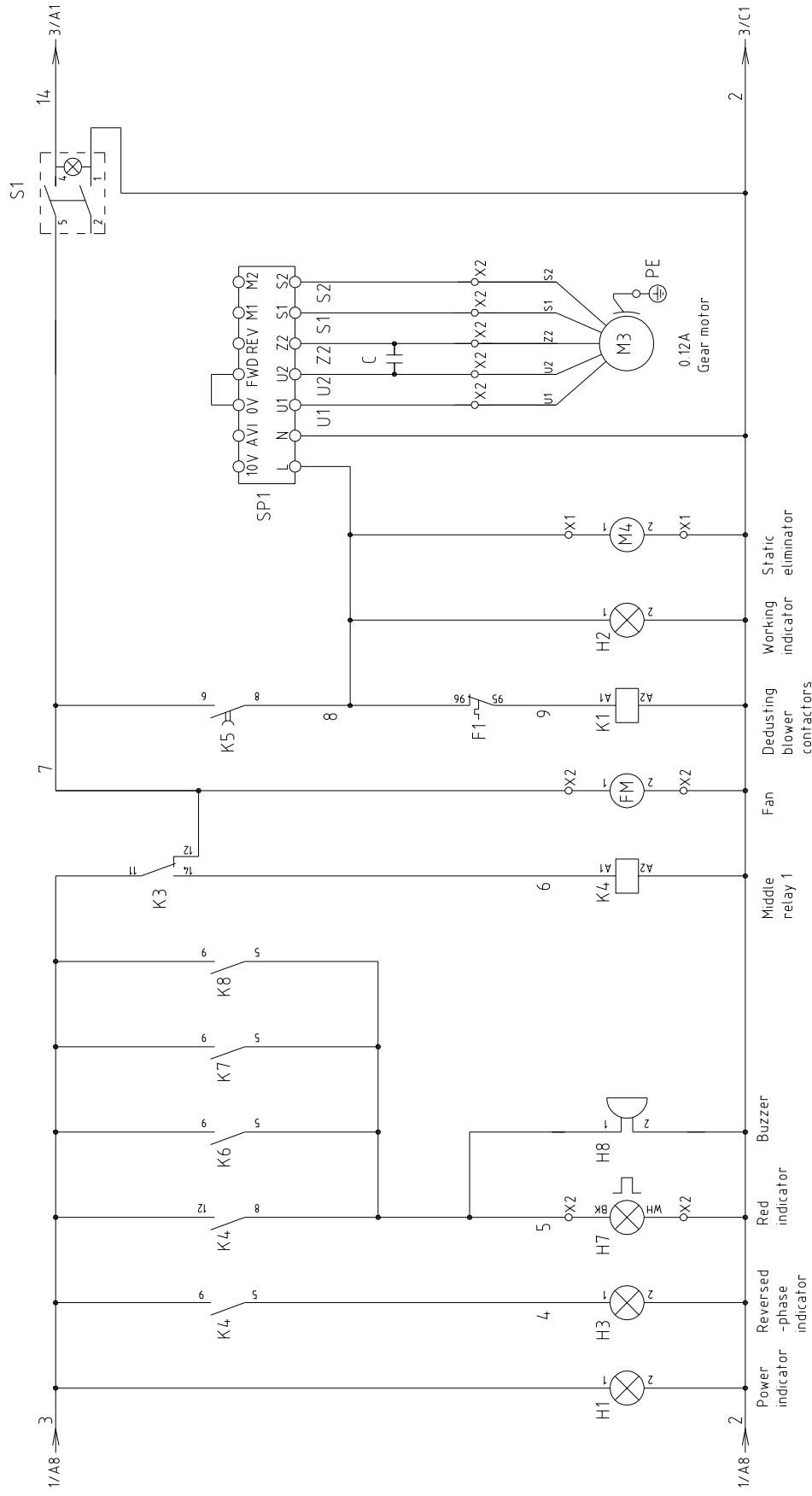


机型版本: Ver D

Mark	Before modification	After modification	Modified by	Modify date	Checked by	Date	Version	C	Title	SDS-500 Main Circuit Diagram	Drawing NO	SDS-500-CE-230V-C-1	Scale	Page 1
													Standard	Totally 6
													Voltage	230V
													Frequency	50HZ
														8

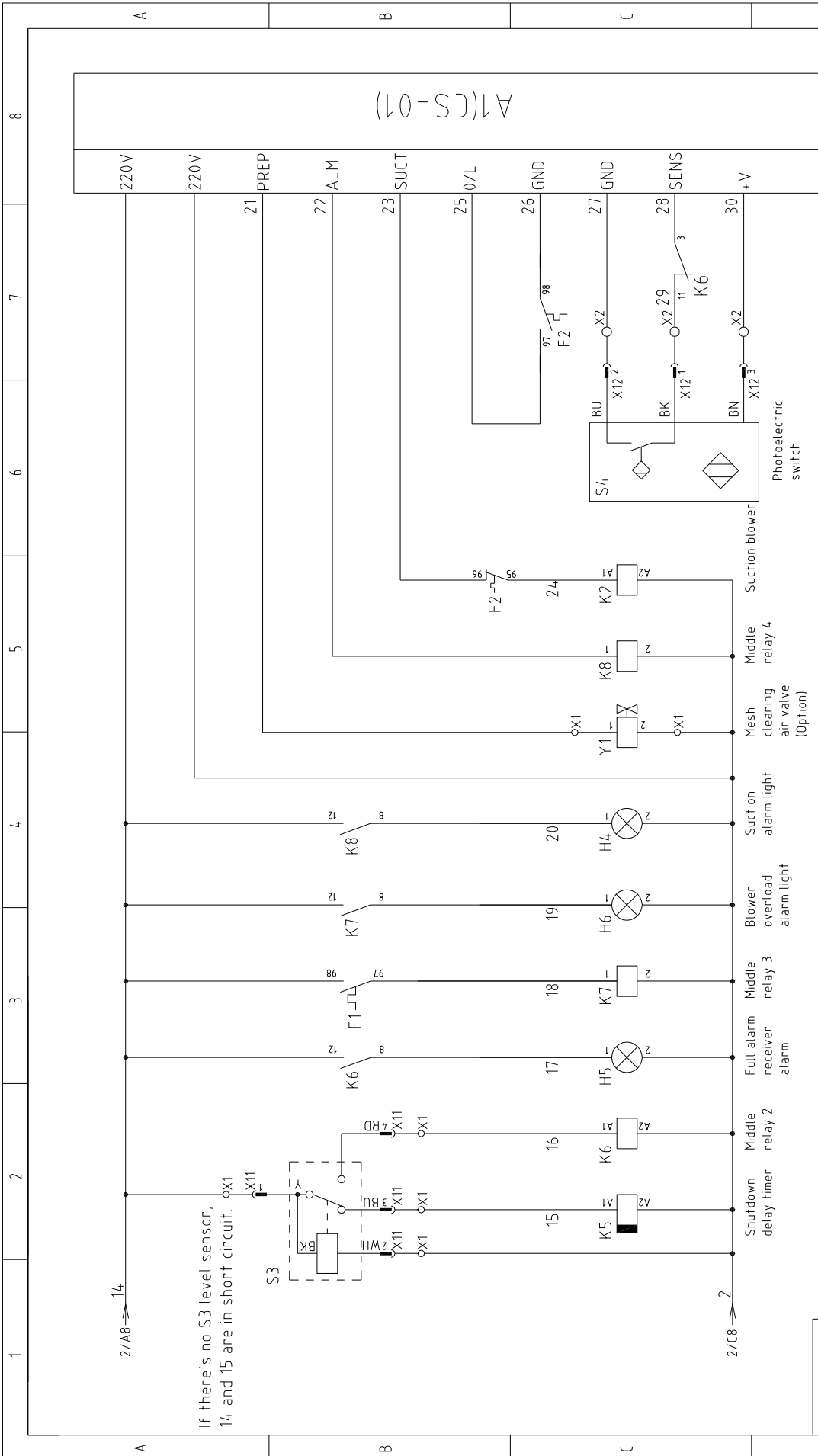




机型版本: Ver D

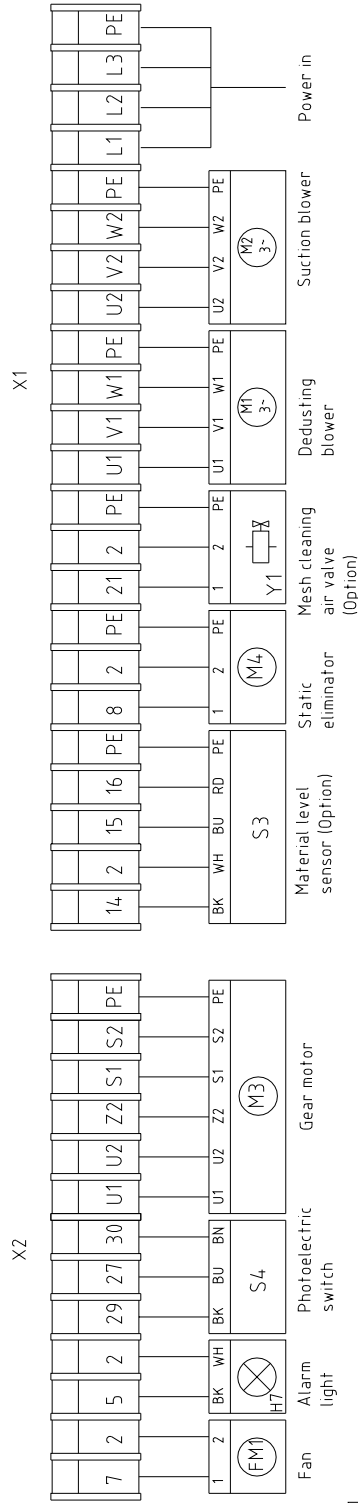
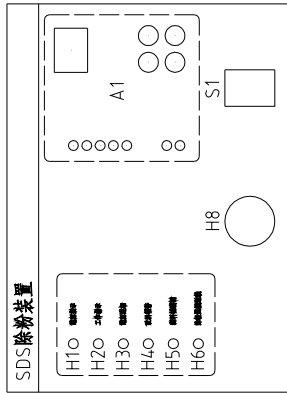
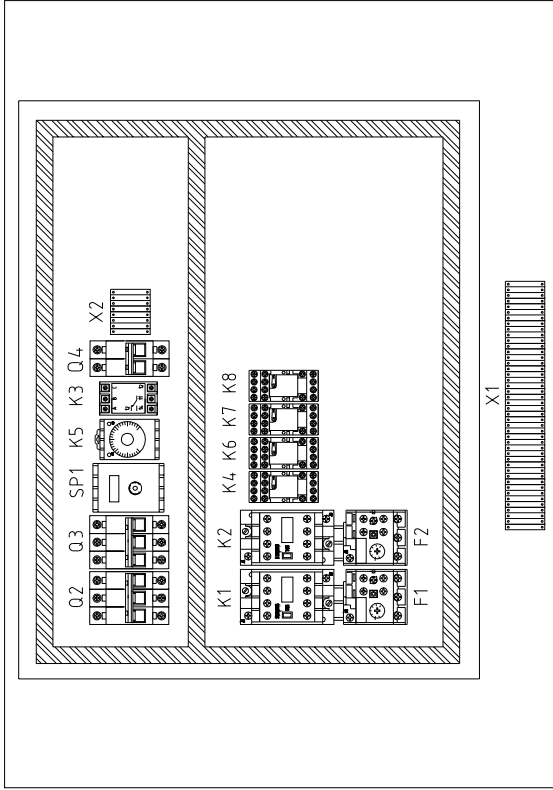
Title		Drawing NO		Page	2
SDS-500		SDS-500-CE-230V-C-2		Standard	CE
Control Circuit Diagram 1				Totally	6
				Voltage	230V
				Frequency	50HZ
Version	C	Approved by			
Designer		Proofread by			
Modified by		Checked by			
After modification		Modify date			
Before modification		Date	20190111		
Mark					





机型版本: Ver D

D	Title		Drawing NO		Scale		Page	
	SDS-500		SDS-500-CE-230V-C-3		Standard		CE	
Control Circuit Diagram 2			Version			C		
SHINI 信易电热机械股份有限公司 Shini Plastics Technologies, Inc.			Approved by			Totally 6 Pages		
Mark			Date			Voltage		
Before modification			20190111			230V		
After modification			Modify date			Frequency		
Modified by			3			50HZ		
Checked by			4			8		
Proofread by			5			6		
Designer			6			7		
Drawer			7			8		



机型版本: Ver D

D	Scale	Standard	CE	Page	4
	Standard	CE	Totally	6	Pages
Title		SDS-500		Drawing No	
Version		C		SDS-500-CE-230V-C-4	
Approved by		Electrical Components Layout			
Date		20190111		Voltage	
Modified by				Frequency	
After modification				230V	
Before modification				50HZ	
Mark				8	



1	2		3	4	5	6	7	8
NO.	Symbol	Name	Manufacturer	Type	Specification	Number	Material number	Remark
1	Q1	Main power switch	EATON	TO-2-1	3P/20A	1	YE10021160000	
2	Q2	Circuit breakers	TECO	BM-63C/3025S	3P/25A	1	YE40302503000	
3	Q3	Circuit breakers	TECO	BM-63C/3016S	3P/16A	1	YE40301603000	A
4	K1	Contactors	SIEMENS	3RT16017-1AN21	220V 50/60HZ	1	YE00601721000	
5	K2	Contactors	SIEMENS	3RT16016-1AN21	220V 50/60HZ	1	YE00601621000	
6	F1	Overload relays	SIEMENS	3RU6116-1KB0	9-12.5A	1	YE01169125000	
7	F2	Overload relays	SIEMENS	3RU6116-1HB0	5.5-8A	1	YE01160550000	
8	K3	Phase sequence protector	CHAOSHI	ABJ-10W	220V	1	YE03102200000	
9	Q4	Circuit breakers	TECO	BM-63C/2003S	2P/3A	1	YE40200203000	
10	FM	Fan	SUNON	DP200A	230VAC 0.14A	1	----	(1)
11	S1 S2	Alternative switch	REAB	R210-C5LBW4P	4P (WHI)	2	YE10210400000	B
12	K4 K6 K7 K8	Middle relay	WEIDMULLER	DRM570730LT	230VAC 50/60HZ	4	YE03570700000	
13	K5	Timer	T&C	TRF-N3M	230VAC 50/60HZ	1	YE86322000000	
14	SP1	Adjuster	JSSC	SK200E	220VAC 50/60HZ	1	YE80020000200	
15	S3	Material level sensor	SIPAI	SR-80	230VAC 50HZ	1	----	(1)(2)
16	S4	Photoelectric switch	----	----	10-30VDC	1	----	(1)
17	A1	Circuit board	YUYUN	CS-01	230VAC 50/60HZ	1	YE80122000000	
18	H1 H2	Metal indicator	SHINI	GR	230VAC 50/60HZ	2	YE83022000100	
19	H3 H4 H5 H6	Metal indicator	SHINI	RD	230VAC 50/60HZ	4	YE83022000000	C
20	H7	Alarm indicator	SHINI	RD	230VAC	1	----	(1)
21	H8	Buzzer	KING	PF-35A	230VAC	1	YE84003500000	
22	X1	Terminal block	Honeywell	4.0mm ²	SK4.0	3	YE60000403200	
23			Honeywell	4.0mm ² PE	GK5.0PE	1	YE60000403500	
24			Honeywell	2.5mm ²	SK2.5	8	YE60002503200	
25			Honeywell	2.5mm ² PE	GK2.5PE	3	YE60002503400	
机型版本: Ver.D Notes: (1)Means it's not the material inside the control box.(2)Stand for optional level sensor of material storage tank.(3)Stand for optional mesh cleaning air valve.								
D			Drawing NO		SDS-500-CE-230V-C-5		Scale	
			Version		Electrical Components list 1		Standard	
			Approved by				CE	
			Date		20190111		Voltage	
Mark			Before modification		Modified by		Frequency	
			Modify date				230V	
							50HZ	
1			2		3		4	
5			6		7		8	
Page			Totally		Page		Pages	
5			6		5		6	



信易电热机械股份有限公司
Shini Plastics Technologies, Inc.

1		2		3		4		5		6		7		8	
NO.	Symbol	Name	Manufacturer	Type	Specification	Number	Material number	Remark							
25	X1	Terminal block	Honeywell	2.5mm ²	SK2.5	6	YE60002503200	(2) (3)							
26			Honeywell	2.5mm ² PE	GK2.5PE	2	YE60002503400	(2) (3)							
27	X2	Terminal board	PHOENIX	2.5mm ²	----	12	YE6125004-0000		A						
28			PHOENIX	2.5mm ² PE	----	1	YE61253500000								
29	X11,X12	Heavy duty connectors	SIBAS	HDC-HA-004	10A	2	----	(1)							
30	M1	Dedusting blower	SHINI	2.2KW	3Φ 230V 50Hz	1	----	(1)							
31	M2	Suction blower	SHINI	1.5KW	3Φ 230V 50Hz	1	----	(1)							
32	M3	Gear motor	JSCC	60YT06GV22	6W	1	----	(1)							
33	M4	Static eliminator	DR SCHNEIDERPC	SL-001	230VAC 50/60HZ	1	----	(1)							
									B						
									C						
									D						
机型版本: Ver D Notes: (1)Means it's not the material inside the control box.(2)Stand for optional level sensor of material storage tank (3)Stand for optional mesh cleaning air valve.															
				Version		C		Title		SDS-500		Drawing NO		Scale	
				Approved by				Electrical Components List 2		SDS-500-CE-230V-C-5		Standard		CE	
				Proofread by				SHINI		Voltage		Page		6	
				Checked by		20190111		信易电热机械股份有限公司 Shini Plastics Technologies, Inc.		Frequency		Totally		6	
Mark				Before modification		Modified by		Modify date		Date		Voltage		230V	
				After modification		Modified by		Date		Date		Frequency		50HZ	
1 2 3 4 5 6 7 8															