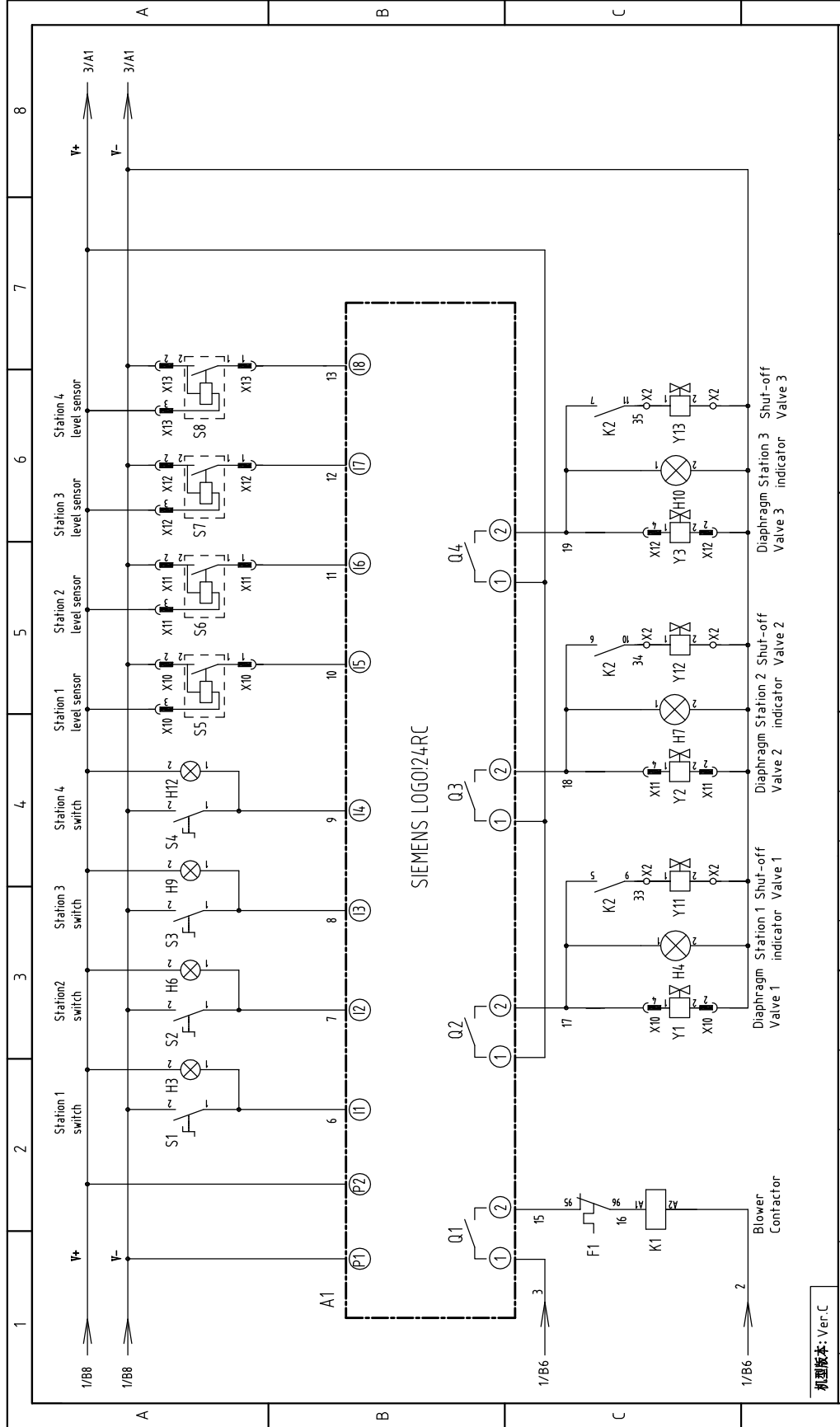


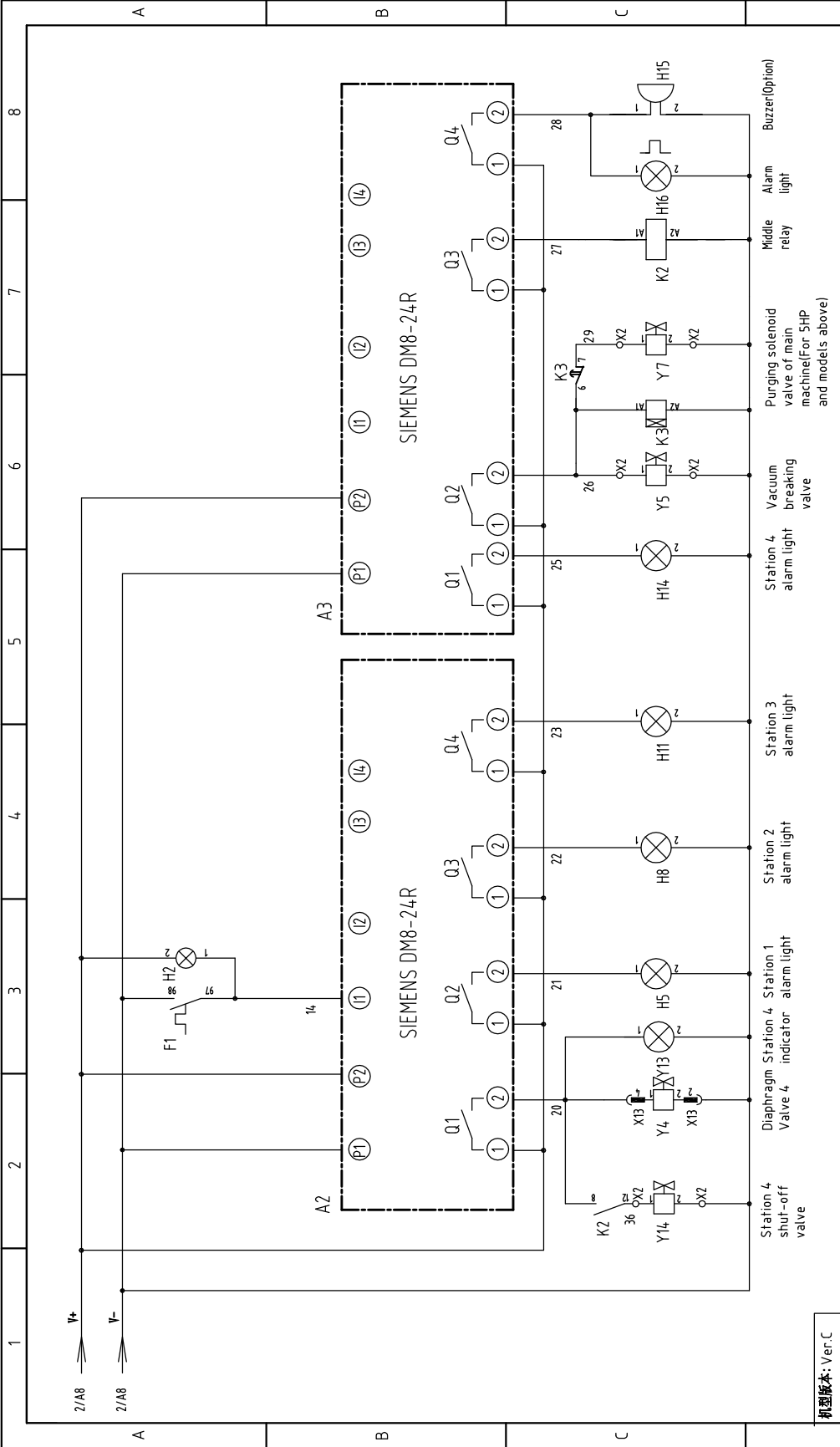
机型版本: Ver.C

Title		Drawing No.		Scale		Page	
SAL-2HP-UG124		SAL-2HP-UG124-CE-230V-D-1		CE		Page 1	
Main Circuit Diagram		SHINI		Standard		Totally 6	
信易电热机械股份有限公司 Shini Plastics Technologies, Inc.		Voltage		Frequency		230V	
Date		20160531		Frequency		50/60Hz	
Version		Approved by		Voltage		Frequency	
Designer		Proof/read by		Frequency		50/60Hz	
Modify date		Checked by		Frequency		50/60Hz	
Modified by		Checked by		Frequency		50/60Hz	
After modification		Checked by		Frequency		50/60Hz	
Before modification		Checked by		Frequency		50/60Hz	
Date		20160531		Frequency		50/60Hz	



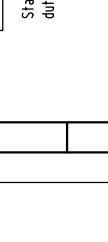
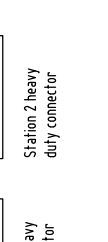
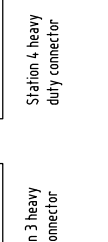
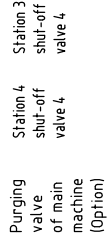
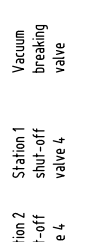
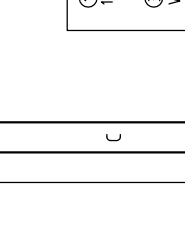
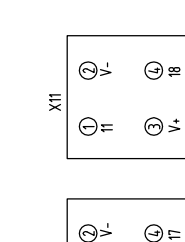
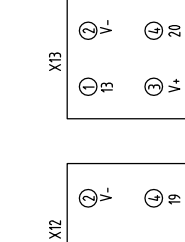
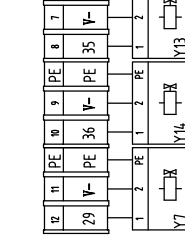
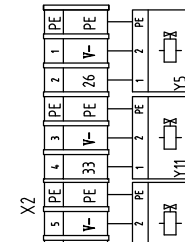
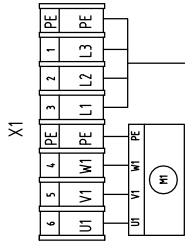
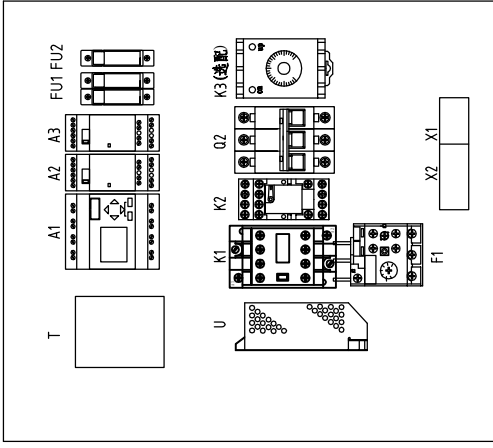
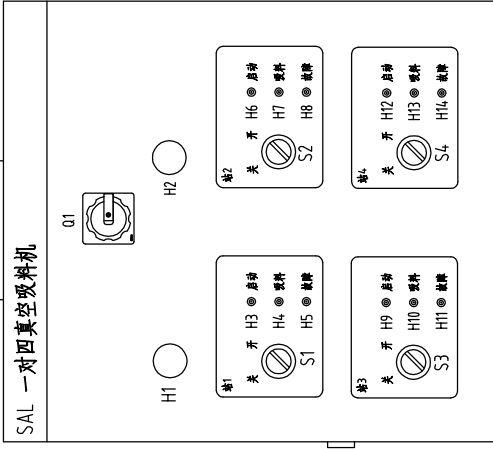
Title			Drawing No.		
SAL-2HP-UG124			SAL-2HP-UG124-CE-230V-D-2		
Control Circuit Diagram 1			CE		
Version			Scale		
D			Page 2		
Approved by			Totally 6		
Date			Pages		
20160531			230V		
Before modification			Frequency		
After modification			50/60Hz		
Modify date			8		
Checked by			7		
Profread by			5		
Designer			4		
Drawer			3		
SHINI			2		
信易塑料机械股份有限公司			1		
Shini Plastics Technologies, Inc.			8		

机型版本: Ver.C



机型版本: Ver.C

Title		Drawing No.		Page	
SAL-2HP-UG124		SAL-2HP-UG124-CE-230V-D-3		3	
Control Circuit Diagram 2		Standard		CE	
SHINI		Total		6	
信易塑料机械股份有限公司 Shini Plastics Technologies, Inc.		Totals		230V	
		Frequency		50/60Hz	
Version		Date		8	
D		20160531		7	
Drawer		Designer		3	
Proofread by		Checked by		4	
After modification		Modify date		2	
Before modification				1	




机型版本: Ver.C

Title		Drawing No.		Scale	Page
SAL-2HP-UG124		SAL-2HP-UG124		Standard	4
Electrical Components Layout		SAL-2HP-UG124-CE-230V-D-4		Totally	6
SHINI		信易塑料机械股份有限公司		Shini Plastics Technologies, Inc.	230V
Mark		Before modification		Frequency	
Modified by		20160531		50/60Hz	
Checked by		Date		Voltage	
Proofread by		20160531		230V	
Designer		Approved by		Frequency	
Drawer		Date		50/60Hz	
Revision		Date		50/60Hz	
D		4		8	

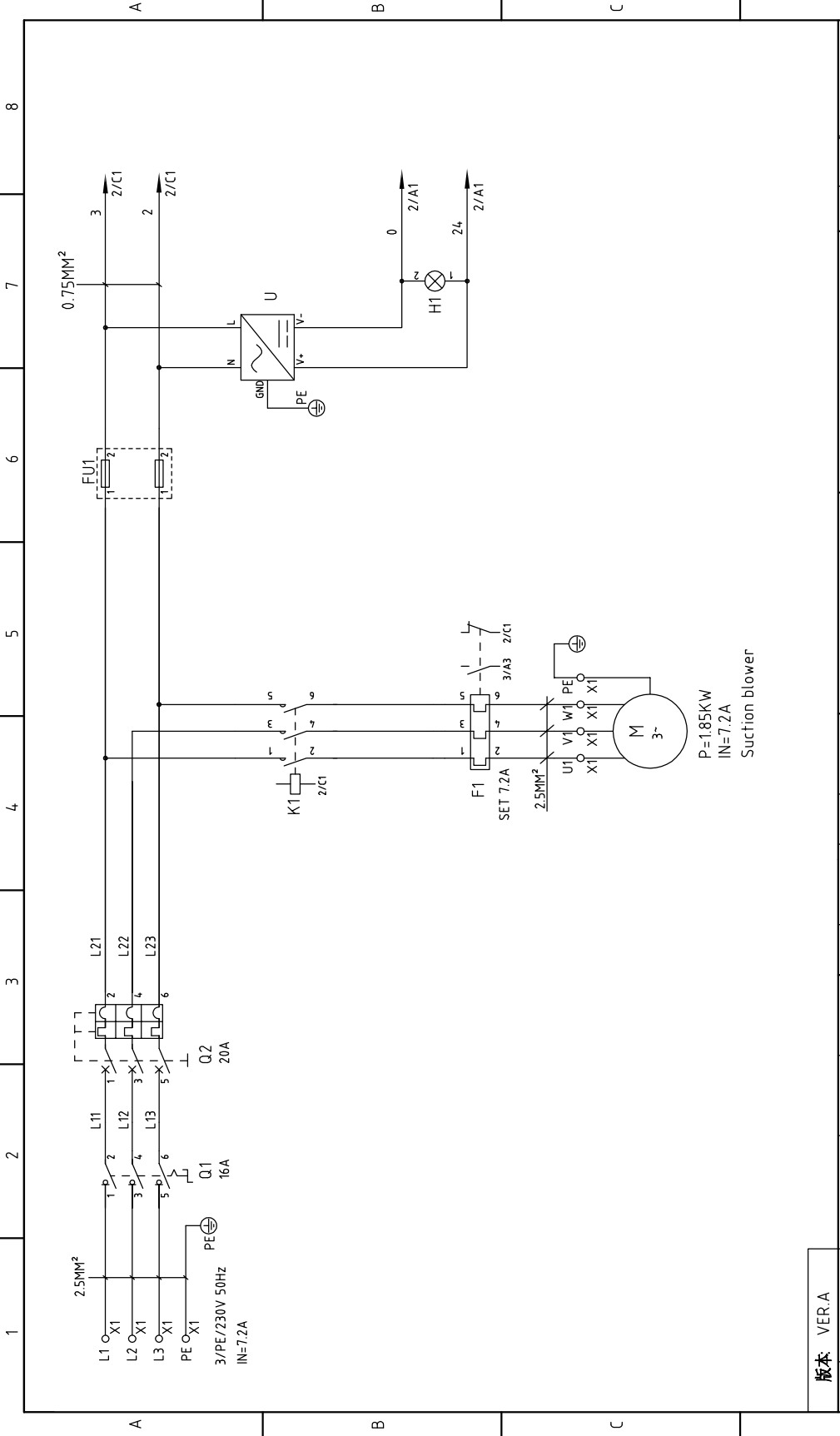
1	2		3	4	5	6		7	8	
NO.	Symbol	Name	Manufacturer	Type	Specification	Number	Material number	Remark		
1	Q1	Main switch	MOELLER	T0-2-1	16A	1	YE10021160000			
2	Q2	Circuit breakers	TECO	BM-63	20A	1	YE40302003000			
3	K1	Contactors	SIEMENS	3RT6016-1AB01	24VAC	1	YE00601602500	A		
4	K2	Relay	Honeywell	GR-4C	24VDC	1	YE03042400500			
5	F1	Overload relays	SIEMENS	3RU6116-1HB0	5.5-8A	1	YE01160550000			
6	FU1,FU2 ,FU3	Fuse	YINDA	FS-10	2A	4	YE41001000000			
7	T	Transformer	BAIYUN	IN-230V OUT=24VAC 80VA	80VA	1	YE70248005900			
8	A1	Program controller	SIEMENS	LOGO24RC	24VDC	1	YE81002400000			
9	A2,A3	Extended module	SIEMENS	LOGO0DM8 24R	24VDC	2	YE82082400000			
10	U1	DC power	MEAN WELL	S-35-24	24VDC 15A	1	YE71352400000			
11	S1 S2 S3 S4	Knob switch	ABB	CZSS2-10B-10	Ui=300V Ith=5A	4	YE12210100000	B		
12	S5 S6 S7 S8	Photoelectricity xwitch	FOTEK	MT-4MNO-30VDC	10..30VDC	4	YE15000400000			
13		Reed switch	SONON	BN12-30BLA	24VDC	4	YE15123000000	(1) SMH		
14	Y1-Y5	Solenoid valve	FESTO	----	24VDC	5	----	(1)		
15	Y11-Y14	Solenoid valve	FESTO	----	24VDC	4	----	(1)		
16	H1	Indicator	ABB	CL-520G	24VDC	1	YE83050200100			
17	H2	Indicator	ABB	CL-520Y	24VDC	1	YE83050200000			
18	H3 H4 H6 H7 H9 H10 H12 H13	Indicator	SHINI	绿色GR	24VDC	8	YE83002400200			
19	H5 H8 H11 H14	Indicator	SHINI	红色RD	24VDC	4	YE83002400000			
20	H15	Buzzer	SHINI	PK-27A	24VDC	1	YE84002700000	(2)		
21	H16	Alarm light	SHINI	LTE-30S1	24VDC	1	YE83305100300			
22	X1	Terminal block	---	2.5mm ²	---	6	YE61250040000			
23		Terminal block	---	2.5mm ² PE	---	2	YE61253500000			
24	X10,X11,X12,X13	Heavy-duty connector	SIBAS	HA-004-(F(Female))	4P	4	YE60000040000			
25		Heavy-duty connector	SIBAS	HA-004-(M(Male))	4P	4	YE60000400200			
机型号本: Ver.C Notes: (1) Means not part of control box; (2) Stands for optional.										
D										
				Drawing No.	SAL-2HP-UG124		SAL-2HP-UG124-CE-230V-D-5		Scale	Page 5
				Title	Electrical Components List 1		CE		Standard	Totality 6
				Version	D	Approved by	10/step	Frequency	230V	Pages
				Designer	Date	20160531	Frequency	50/60Hz	230V	50/60Hz
				Proofread by	Date	20160531	Frequency	50/60Hz	230V	50/60Hz
				Checked by	Date	20160531	Frequency	50/60Hz	230V	50/60Hz
				Modify date	Date	20160531	Frequency	50/60Hz	230V	50/60Hz
				Before modification	Date	20160531	Frequency	50/60Hz	230V	50/60Hz
				After modification	Date	20160531	Frequency	50/60Hz	230V	50/60Hz
				SHINI	SHINI	SHINI	SHINI	SHINI	SHINI	SHINI
				信易塑料机械股份有限公司	Shini Plastics Technologies, Inc.	SHINI	SHINI	SHINI	SHINI	SHINI

1	2		3	4	5	6		7	8	
NO.	Symbol	Name	Manufacturer	Type	Specification	Number	Material number		Remark	
26	X2	Terminal block	---	2.5mm ²	---	10	YE61250040000			
27		Terminal block	---	2.5mm ² PE	---	5	YE61253500000			
28	M	Blower	SHINI	---	2HP 230V 50/60Hz	1	---		(1)	
A										
B										
C										
D										


机型版本: Ver.C			Notes: (1) Means not part of control box; (2) Stands for optional.			Title SAL-2HP-UG174 Electrical Components List 2			Drawing No. SAL-2HP-UG174-CE-230V-D-6		
Title Electrical Components List 2			Scale Standard			Page 6			CE Standard		
Designer Designer			Version D			Proofread Approved by			Totaly 6		
Modified by Modified date			Checked by Date			Voltage 230V			Frequency 50/60Hz		
1	2		3	4	5	6		7	8		

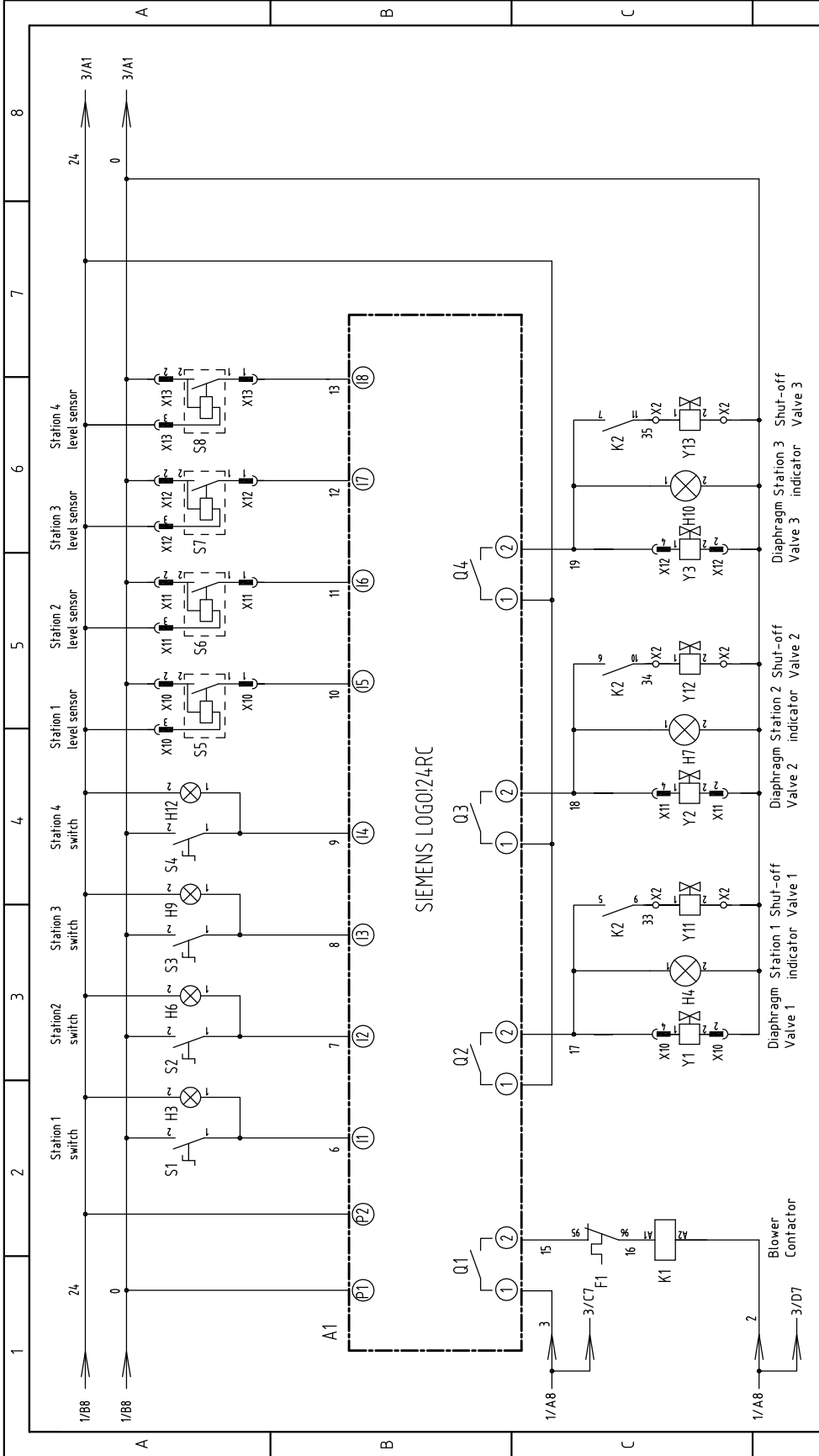


SHINI
信易塑料机械股份有限公司
Shini Plastics Technologies, Inc.

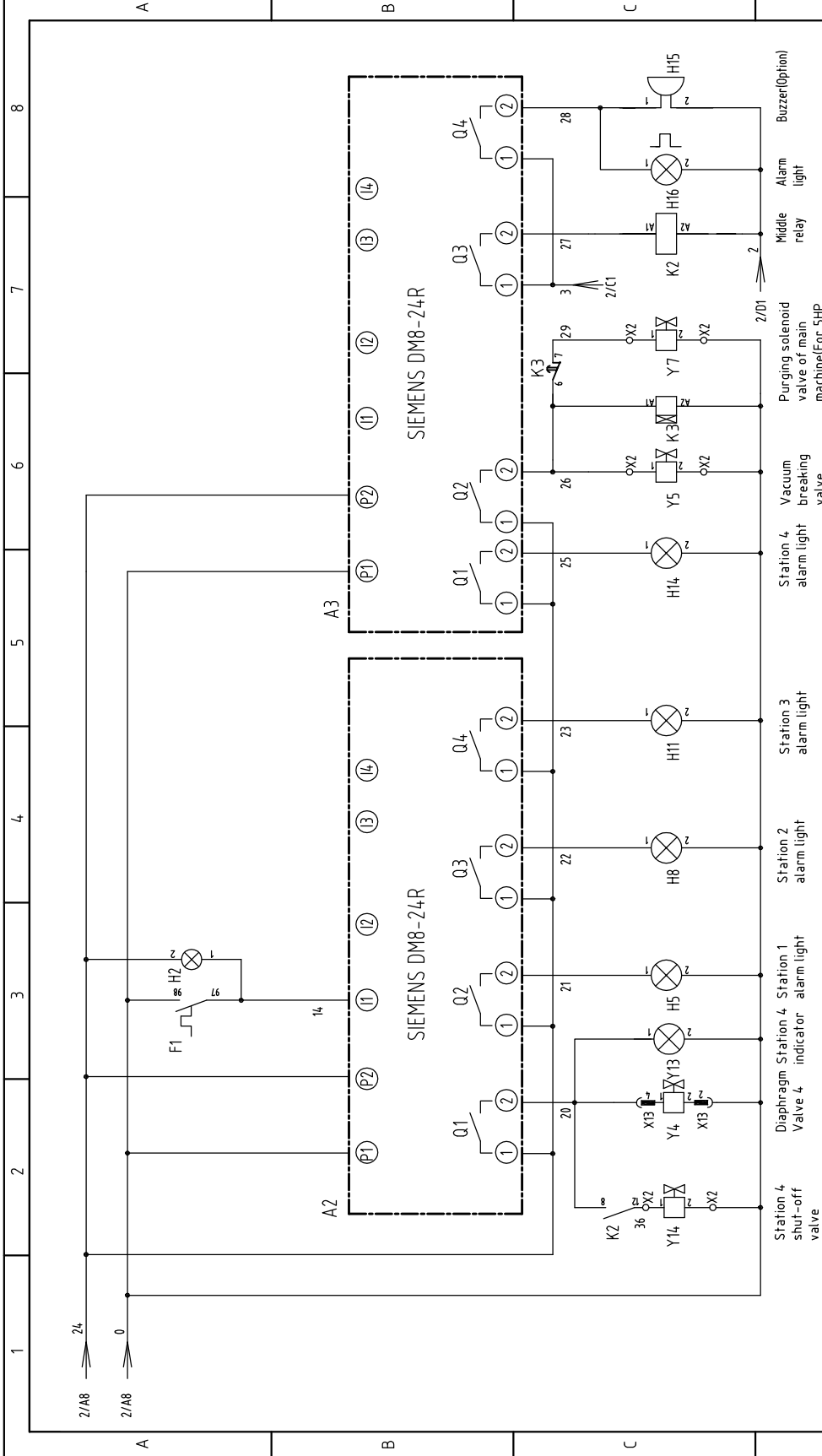


版本	VER.A
----	-------

Title	SAL-3HP-UG124	Drawing No.	SAL-3HP-UG124-CE-230V-0-1
	Main Circuit Diagram		CE
Version	0	Scale	Page 1
Approved by		Standard	Totally 6
Designer		Voltage	230V
Proof/read by		Frequency	50Hz
Checked by		 信易薯熱機械股份有限公司 Shini Plastics Technologies, Inc.	
Modify date			
Modified by		5	7
After modification		6	8
Before modification		7	8
Next		8	8
Date	20150825		



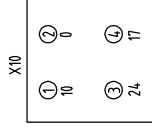
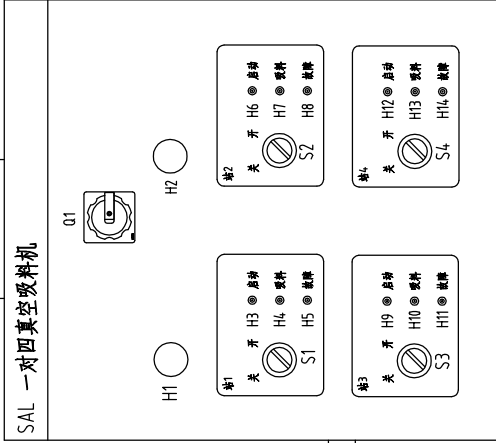
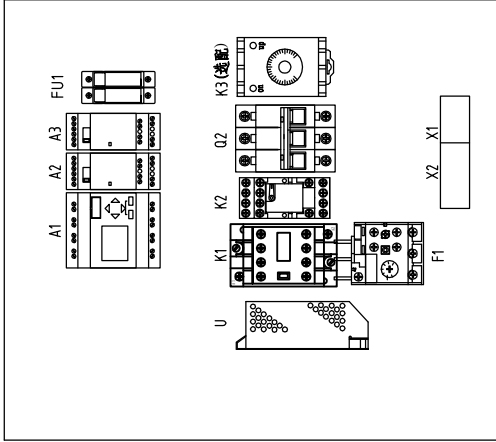
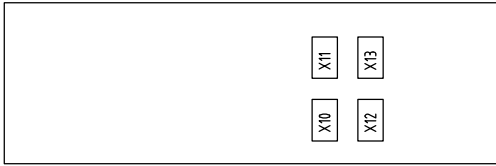
版本 VER.A		Drawing No.		Scale		Page 2	
		Title		Standard		Totally 6	
		Version		SAL-3HP-UG124-CE-230V-0-2		Frequency	
		Approved by		SHINI		230V	
		Designer		信易塑料机械股份有限公司		50Hz	
		Proofread by		SHINI			
		Checked by		SHINI			
		Modify date		SHINI			
		After modification		SHINI			
		Before modification		SHINI			
		Date		20150825			
		Date		20150825			



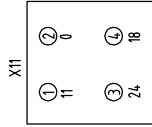
版本 VER.A

Drawing No.		SAL-3HP-UG124-CE-230V-0-3	
Title		Control Circuit Diagram 2	
Version	0	Designer	
Approved by		Proofread by	
Date	20150825	Checked by	
Before modification		Modified by	
After modification		Modify date	
Scale	Standard	CE	
Page	3	Totally	6
Frequency	230V		
	50HZ		

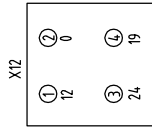




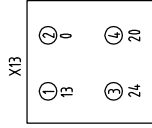
Station 1 heavy duty connector



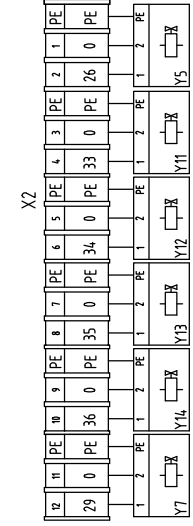
Station 2 heavy duty connector



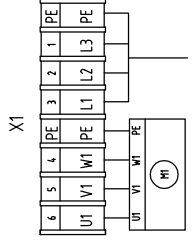
Station 3 heavy duty connector



Station 4 heavy duty connector



Station 1 shut-off valve 4
Station 2 shut-off valve 4
Station 3 shut-off valve 4
Station 4 shut-off valve 4



Suction blower
Power

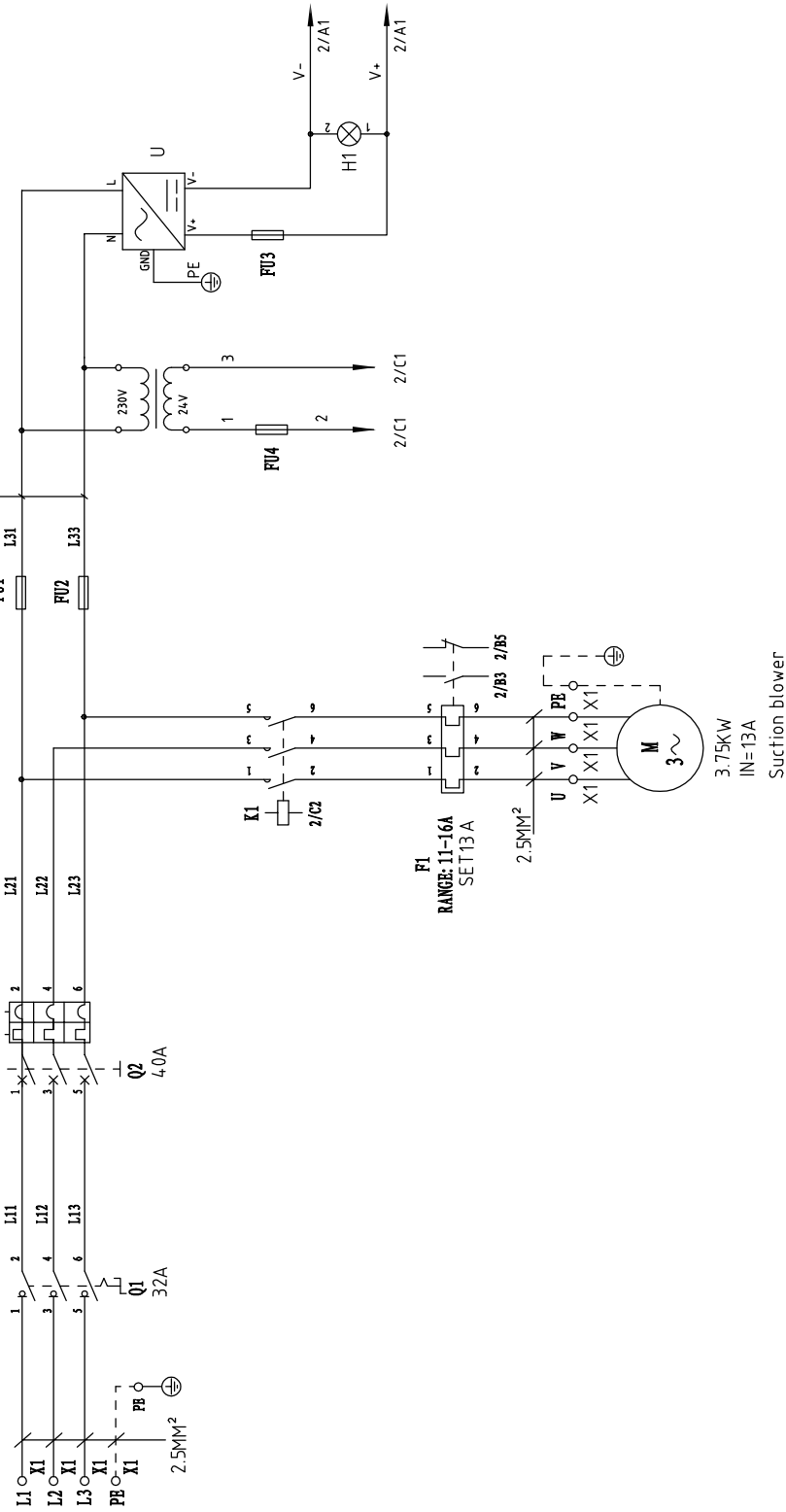
版本 VER.A

Mark	Before modification	After modification	Modified by	Modify date	Checked by	Designer	Drawer	Version	0	Title	SAL-3HP-UG124 Electrical Components Layout		Scale	CE	Page	4	
						Approved by				SHINI 信易塑料机械股份有限公司 Shini Plastics Technologies, Inc.		Standard	CE	Totally	6	Pages	
						Date			20150825	SHINI 信易塑料机械股份有限公司 Shini Plastics Technologies, Inc.		Voltage	230V	Frequency	50Hz		

1		2		3		4		5		6		7		8	
NO.	Symbol	Name	Manufacturer	Type	Specification	Number	Material number	Remark							
1	Q1	Main switch	SIEMENS	3LD20	16A	1	YE10200300000								
2	Q2	Circuit breakers	TECO	BM-63C/3020S	20A	1	YE40302003000								
3	K1	Contactors	SIEMENS	3RT6017-1AN21	220V 50/60Hz	1	YE00601721000								
4	K2	Relay	WEIDEMILE	DRM570730LT	230V 50/60Hz	1	YE03570700000	A							
5	F1	Overload relays	SIEMENS	3RU6116-1HB0	5.5-8A	1	YE01160550000								
6	FU1	Fuse base	CHNT	RT28-32	500V 32A	1	YE41032200000								
7		Fuse core	MRO	---	500V 2A 10x38	2	YE46002000100								
8	A1	Program controller	SIEMENS	LOGO24RC	24VDC	1	YE81002400000								
9	A2,A3	Extended module	SIEMENS	LOGO!DM8 24R	24VDC	2	YE82082400000								
10	U1	DC power	MEAN WELL	EPR-35-24	24VDC 15A	1	YE71352400100								
11	S1 S2 S3 S4	Knob switch	ABB	CZSS2-10B-10	Ui=300V Ith=5A	4	YE12210100000	B							
12	S5 S6 S7 S8	Photoelectricity switch	FOTEK	----	10..30VDC	4	----	(1) SVH							
13		Reed switch	SONON	----	24VDC	4	----	(1) SMH							
14	Y1-Y5	Solenoid valve	FESTO	----	24VDC	5	----	(1)							
15	Y11-Y14	Solenoid valve	FESTO	----	24VDC	4	----	(1)							
16	H1	Indicator	ABB	CL-520G	24VDC	1	YE83050200100								
17	H2	Indicator	ABB	CL-520Y	24VDC	1	YE83050200000								
18	H3 H4 H6 H7 H9 H10 H12 H13	Indicator	SHINI	绿色GR	24VDC	8	YE83002400200								
19	H5 H8 H11 H14	Indicator	SHINI	红色RD	24VDC	4	YE83002400000								
20	H15	Buzzer	TEND	PF-35A	60-250VAC 50/60Hz	1	YE84003500000	(2)							
21	H16	Alarm light	SHINI	LTE-3051	230VAC 50/60Hz	1	YE83305100200								
22	X1	Terminal block	---	2.5mm ²	---	6	YE61250040000								
23		Terminal block	---	2.5mm ² PE	---	2	YE61253500000								
24	X2	Terminal block	---	2.5mm ²	---	10	YE61250040000								
25		Terminal block	---	2.5mm ² PE	---	5	YE61253500000								
版本 VER.A Notes: (1) Means not part of control box; (2) Stands for optional.															
		Drawer		Version		0		Title		SAL-3HP-UG124		Drawing No.		Scale	
		Designer		Approved by				Electrical Components List 1		SAL-3HP-UG124-CE-230V-0-5		Standard		CE	
		Proofread by		Date		20150825		SHINI		信易塑料机械股份有限公司 Shini Plastics Technologies, Inc.		Total		Page 5	
Mark		Before modification		After modification		Modify date						Frequency		230V	
1		2		3		4		5		6		7		8	

1	2		3	4	5	6	7	8
NO.	Symbol	Name	Manufacturer	Type	Specification	Number	Material number	Remark
26	X10, X11, X12, X13	Heavy-duty connector	SIBAS	HA-004-F(Female)	4P	4	YE6804,1000100	
27		Heavy-duty connector	SIBAS	HA-004-M(Male)	4P	4	YE600004,00200	
28	M	Blower	SHINI	---	3HP 4,00V 50Hz	1	---	(I)
A								
B								
C								
D								
版本 VER.A Notes: (1) Means not part of control box; (2) Stands for optional.								
			Drawer	Version	Title		Scale	Page
			Designer	0	SAL-3HP-UG124		Standard	6
			Proofread by	Approved by	Electrical Components List 2		CE	Totally 6
			Checked by	Date	SAL-3HP-UG124-CE-230V-0-6		Voltage	230V
			Modified by	20150825	SHINI 信易塑料机械股份有限公司 Shini Plastics Technologies, Inc.		Frequency	50Hz
			Modify date	4	5		6	
			2	3		7		8

3/PE/230V 50HZ
IN13A

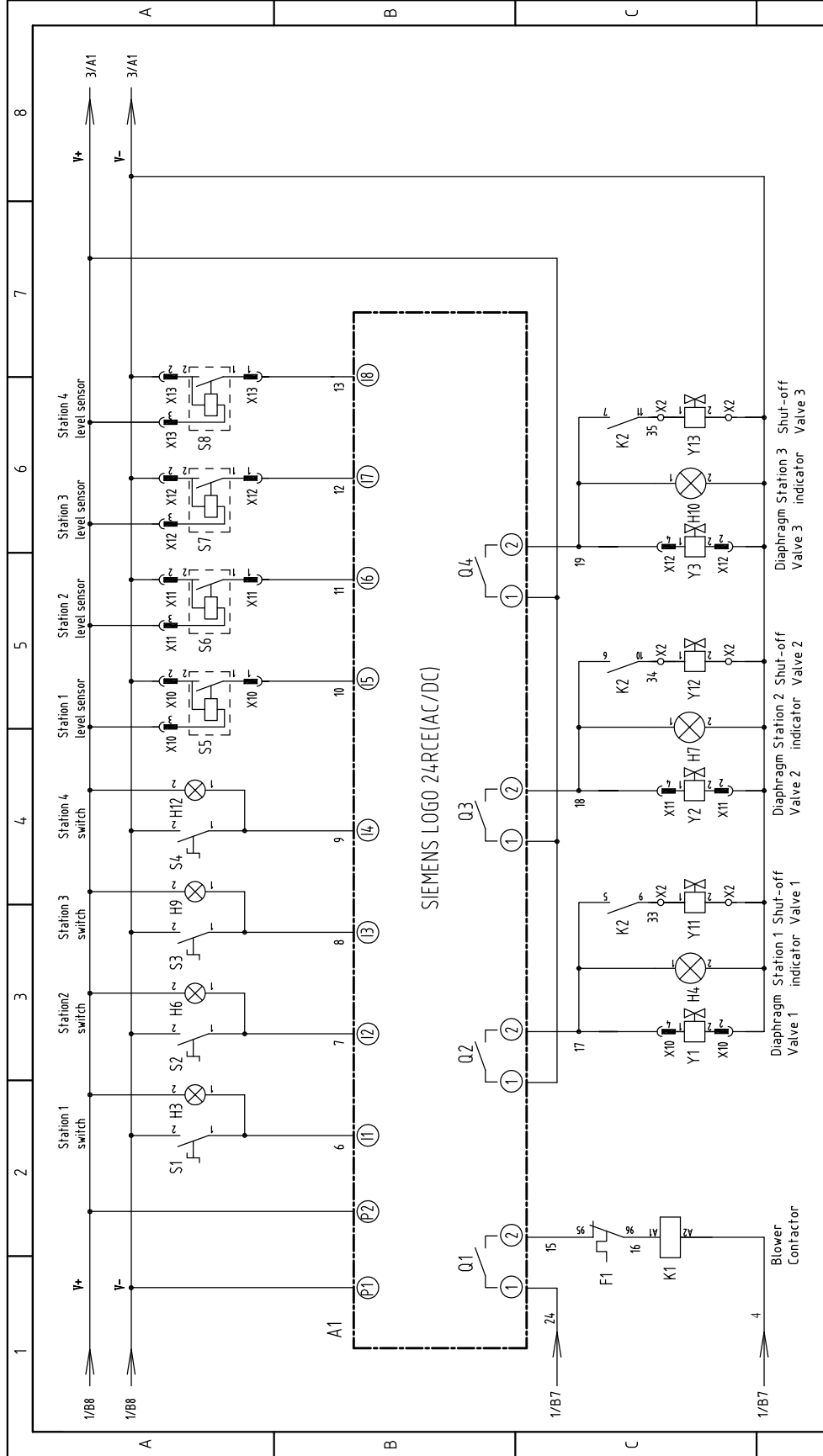


版本 Ver.D

Mark	Before modification	After modification	Modified by	Modify date	Checked by	Proof/read by	Designer	Version	E	Title	Drawing No.	Scale	Page
										SAL-5HP-UG124 Main Circuit Diagram	SAL-5HP-UG124-CE-230V-E-1	Standard	1
												CE	Totally 6
												Voltage	230V
												Frequency	50HZ
													8

SHINI
信易塑料机械股份有限公司
Shini Plastics Technologies, Inc.

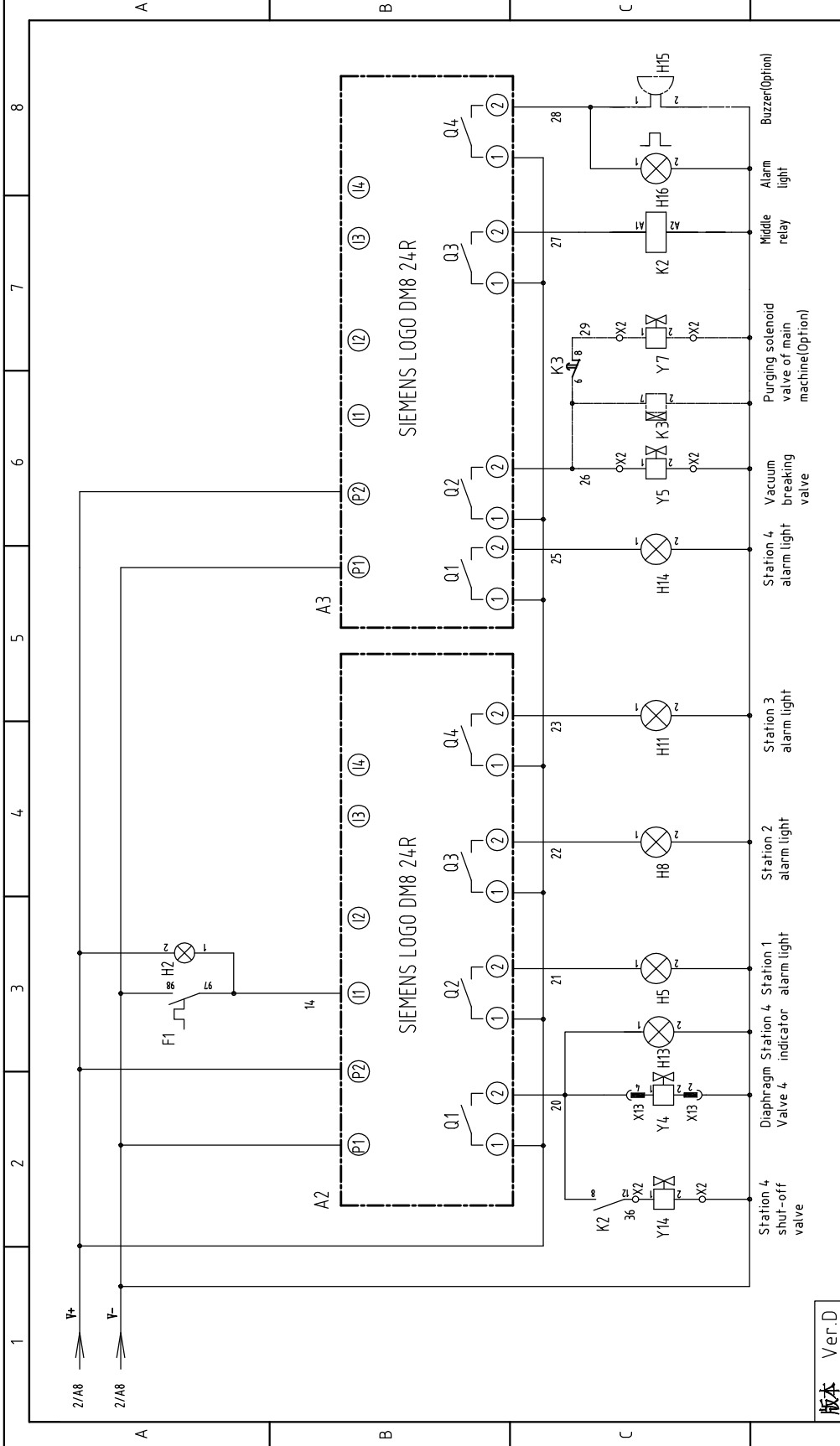
20170919



版本 Ver.D

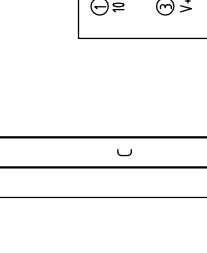
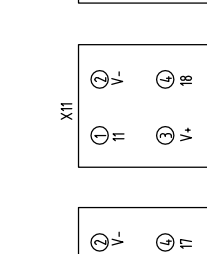
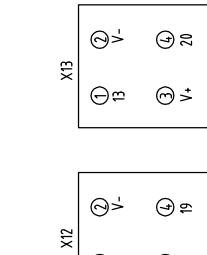
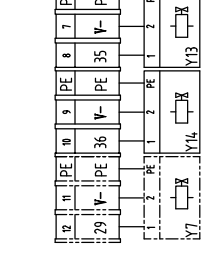
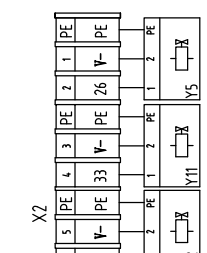
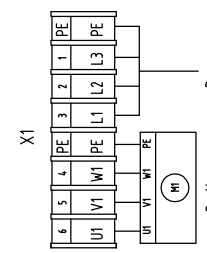
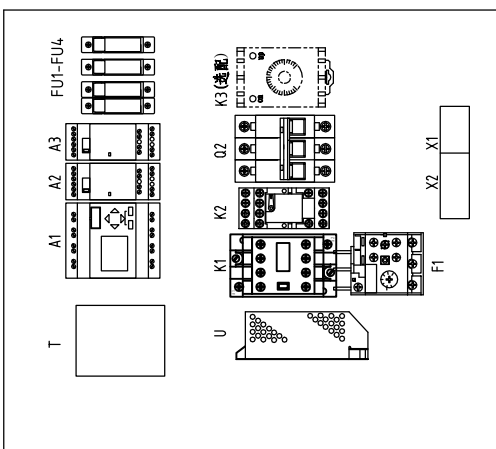
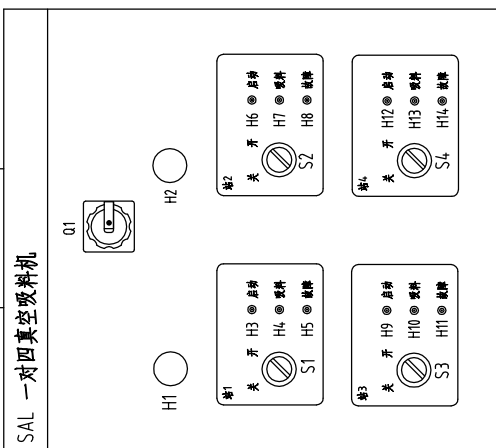
Title		Drawing No.		Scale		Page	
SAL-5HP-UG124		SAL-5HP-UG124-CE-230V-E-2		Standard		CE	
Control Circuit Diagram 1		SHINI		Totally		6	
Version		E		Frequency		50Hz	
Approved by		Date		Toltype		230V	
Designer		20170919		Frequency		50Hz	
Profread by				Toltype		230V	
Checked by				Frequency		50Hz	
Modify date				Toltype		230V	
After modification				Frequency		50Hz	
Before modification				Toltype		230V	
Work				Frequency		50Hz	





版本 Ver.D

D	Drawing No.			Page		
	SAL-5HP-UG124			Standard	Scale	Page
	Control Circuit Diagram 2			Standard	Scale	Page
	SAL-5HP-UG124-CE-230V-E-3			Standard	Scale	Page
	SHINI 信易塑料机械股份有限公司 Shini Plastics Technologies, Inc.			Total	Frequency	Page
	E			Total	Frequency	Page
	Version	Approved by	Date	Total	Frequency	Page
	E		20170919	6	50HZ	3
	Designer	Proofread by	Checked by	Totally	Frequency	Page
				6	50HZ	6
	Diaphragm Valve 4 indicator alarm light	Station 1 alarm light	Station 2 alarm light	Station 3 alarm light	Station 4 alarm light	Vacuum breaking valve
	Station 4 shut-off valve	Station 4 indicator alarm light	Station 1 alarm light	Station 2 alarm light	Station 3 alarm light	Station 4 alarm light
	Diaphragm Valve 4	Station 4 indicator alarm light	Station 1 alarm light	Station 2 alarm light	Station 3 alarm light	Station 4 alarm light
	Station 4 shut-off valve	Station 4 indicator alarm light	Station 1 alarm light	Station 2 alarm light	Station 3 alarm light	Station 4 alarm light
	Station 4 shut-off valve	Station 4 indicator alarm light	Station 1 alarm light	Station 2 alarm light	Station 3 alarm light	Station 4 alarm light

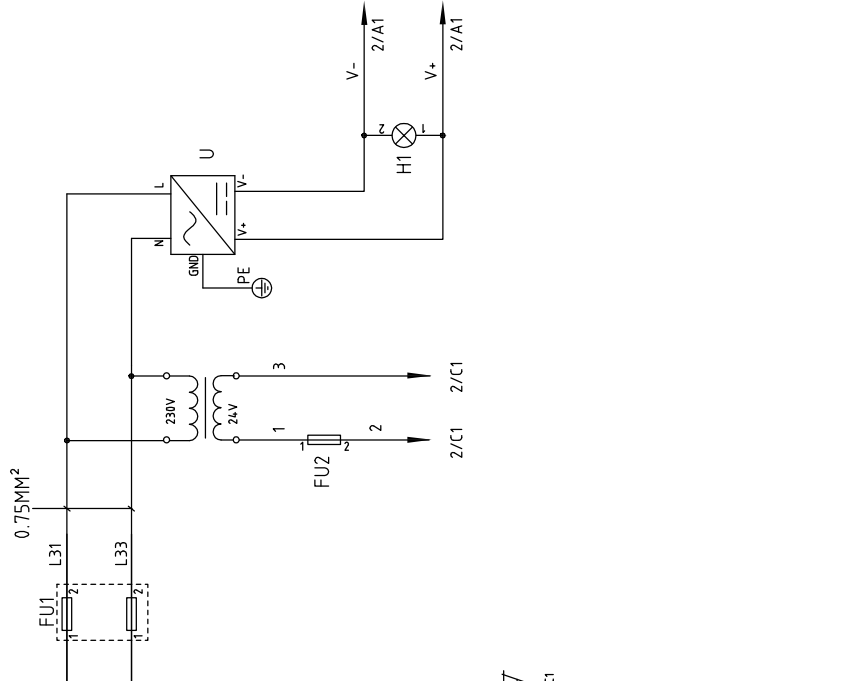


版本 Ver.D

Title		Drawing No.		Page	4
SAL-5HP-UG124		SAL-5HP-UG124-CE-230V-E-4		Scale	CE
Electrical Components Layout				Standard	Totally 6
				Pages	230V
				Frequency	50Hz
SHINI		信易塑料机械股份有限公司		Shini Plastics Technologies, Inc.	
Revision	Approved by	Designer	Proofread by	Checked by	Modify date
E					
Station 4 heavy duty connector	Station 3 heavy duty connector	Station 2 heavy duty connector	Station 1 heavy duty connector	Purging valve of main machine (Option)	
① 13	① 12	① 11	① 10		
② V-	② V-	② V-	② V-		
③ 20	③ 19	③ 18	③ 17		
④ V+	④ V+	④ V+	④ V+		
Station 4 heavy duty connector		Station 3 heavy duty connector		Station 2 heavy duty connector	
① 13		① 12		① 11	
② V-		② V-		② V-	
③ 20		③ 19		③ 18	
④ V+		④ V+		④ V+	
Station 4 heavy duty connector		Station 3 heavy duty connector		Station 2 heavy duty connector	
① 13		① 12		① 11	
② V-		② V-		② V-	
③ 20		③ 19		③ 18	
④ V+		④ V+		④ V+	
Mark	Before modification	After modification	Modified by	20170919	
1				4	
2				3	
3				2	
4				1	

1	2	3	4	5	6	7	8
NO.	Symbol	Name	Manufacturer	Type	Specification	Number	Material number
NO.	Symbol	Name	Manufacturer	Type	Specification	Number	Material number
1	Q1	Main switch	EATON	P1-32/EA/SVB 32A	32A	1	YE10323200000
2	Q2	Circuit breakers	TECO	BM-63	40A	1	YE40304003000
3	K1	Contactors	SIEMENS	3RT6026-1AC20	24VAC 25A	1	YE00602602600
4	K2	Middle relay	Honeywell	GR-4C	24VDC	1	YE03042400500
5	F1	Overload relays	SIEMENS	3RU6126-4AB0	11-16A	1	YE01260100000
6	FU1-FU4	Fuse	YINDA	FS-10	2A	4	YE41001000000
7	T	Transformer	BAIYUN	lN=230V 00T=24VAC 80VA	80VA	1	YE70248005900
8	A1	Program controller	SIEMENS	LOGO! 24RCE(AC/DC)	24VDC	1	YE80105200000
9	A2,A3	Extended module	SIEMENS	LOGO!DM8 24R	24VDC	2	YE81055000000
10	U	DC power	MEAN WELL	S-35-24	24VDC 15A	1	YE71352400000
11	S1 S2 S3 S4	Knob switch	ABB	CZSS2-10B-10	Ui=300V Ith=5A	4	YE12210100000
12	S5 S6 S7 S8	Photoelectric switch	FOTEK	MT-4MNO-30VDC	10..30VDC	4	----
13		Reed switch	SONON	BN12-30BLA	24VDC	4	----
14	Y1-Y5	Solenoid valve	airtec	4V210-06	24VDC	5	----
15	Y11-Y14	Solenoid valve	airtec	4V210-06	24VDC	4	----
16	H1	Indicator (Green)	ABB	CL2-502G	24VDC	1	YE83050200100
17	H2	Indicator (Yellow)	ABB	CL2-502Y	24VDC	1	YE83050200000
18	H3 H4 H6 H7 H9 H10 H12 H13	Metal indicator	SHINI	綠色GR	24VDC	8	YE83002400200
19	H5 H8 H11 H14	Metal indicator	SHINI	紅色RD	24VDC	4	YE83002400000
20	H15	Buzzer	SHINI	PK-27A/29EP	DC3-24V	1	YE84002700000
21	H16	Alarm light	SHINI	LED-3051/24VDC 紅白色	24VDC	1	YE83305100300
22	X1	Spring wiring terminal SK4	Honeywell	4mm ²	---	6	YE60000403200
23		Grounding terminal GK5PE	Honeywell	4mm ² PE	---	2	YE60000403500
24		Spring wiring terminal SK25	Honeywell	2.5mm ²	---	10	YE60002503200
25		Grounding Terminal GK2.5PE	Honeywell	2.5mm ² PE	---	5	YE60002503400
版本 Ver.D Notes: (1) Means not part of control box.; (2) Stands for optional.							Page 5
					Drawing No. SAL-5HP-UG124		Scale
					Title SAL-5HP-UG124		Standard
					Electrical Components List 1		Tolerance
					SHINI 信易塑料機械股份有限公司		Ce
					SHINI Shini Plastics Technologies, Inc.		Frequency
					SAL-5HP-UG124-CE-230V-E-5		230V
					SHINI Shini Plastics Technologies, Inc.		50HZ

1	2		3	4	5	6	7	8
NO.	Symbol	Name	Manufacturer	Type	Specification	Number	Material number	Remark
26		Spring wiring terminal SK2.5	Honeywell	2.5mm ²	---	2	YE60002503200	(2)
27		Grounding terminal GK2.5PE	Honeywell	2.5mm ² PE	---	1	YE60002503400	(2)
28	M	Blower	SHINI	R8550	5HP 4.00V 50Hz	1	---	(1) A
29	K3	Timer+Base TH3M	T & C	TH3M-NAB/3S-60M	DC/AC24V	1	YE86123000000	(2)
30		Terminal block E/GK	Honeywell	----	PCS	4	YE60000003900	
31	X10,X11,X12,X13	Heavy duty connector	SIBAS	HDC-HA-004.14P/100A(Female)	4P	4	YE6804.1000100	
A								
B								
C								
D								
版本 Ver.D				Notes: (1) Means not part of control box; (2) Stands for optional.				
Title		Version		Drawing No.		Scale		Page
SAL-5HP-UG124		E		SAL-5HP-UG124-CE-230V-E-6		CE		6
Electrical Components List 2		Approved by		SHINI		Totally		6
SHINI		Proofread by		信易塑料机械股份有限公司		Frequency		50Hz
SHINI		Checked by		Shini Plastics Technologies, Inc.				
Date		Modify date		20170919				
1	2	3	4	5	6	7	8	

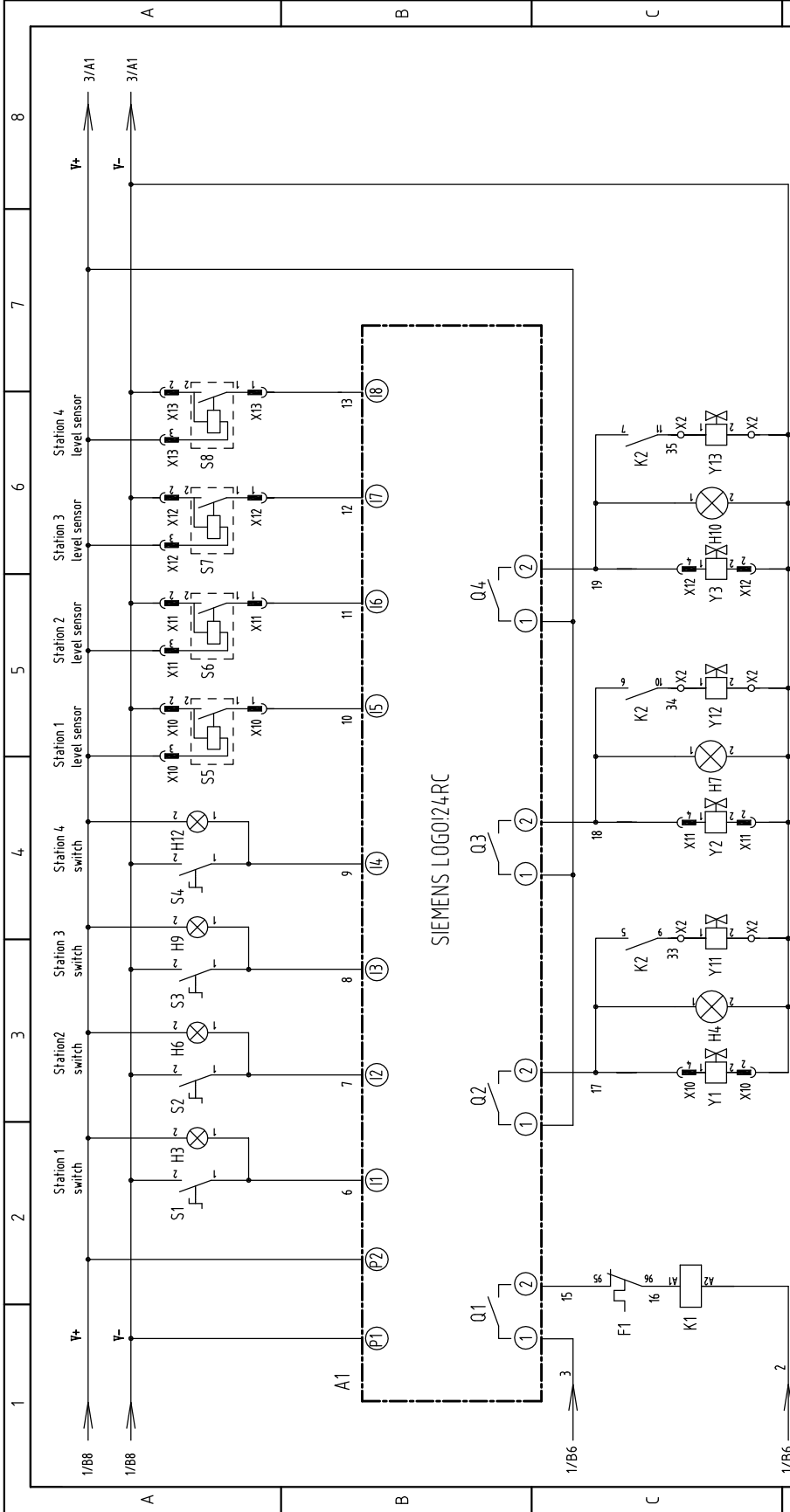


Mode	Symbol	(a)	(b)	(c)	(d)	(e)	(f)	(g)	(h)	Ver.
SAL-10HP-UG124		29	60	63	80	29	60	7.5	29	Ver.C

机型版本: Ver.C

Title		Drawing No.		Scale		Page	
SAL-10HP-UG124		SAL-10HP-UG124-CE-230V-D-1		CE		Page 1	
Main Circuit Diagram				Standard		Totally 6	
				Voltage		230V	
				Frequency		50/60Hz	
Date		20160531		Frequency		50/60Hz	
Approved by				Voltage		230V	
Designer				Frequency		50/60Hz	
Proof/read by				Voltage		230V	
Checked by				Frequency		50/60Hz	
Modify date				Voltage		230V	
Modified by				Frequency		50/60Hz	
After modification				Voltage		230V	
Before modification				Frequency		50/60Hz	

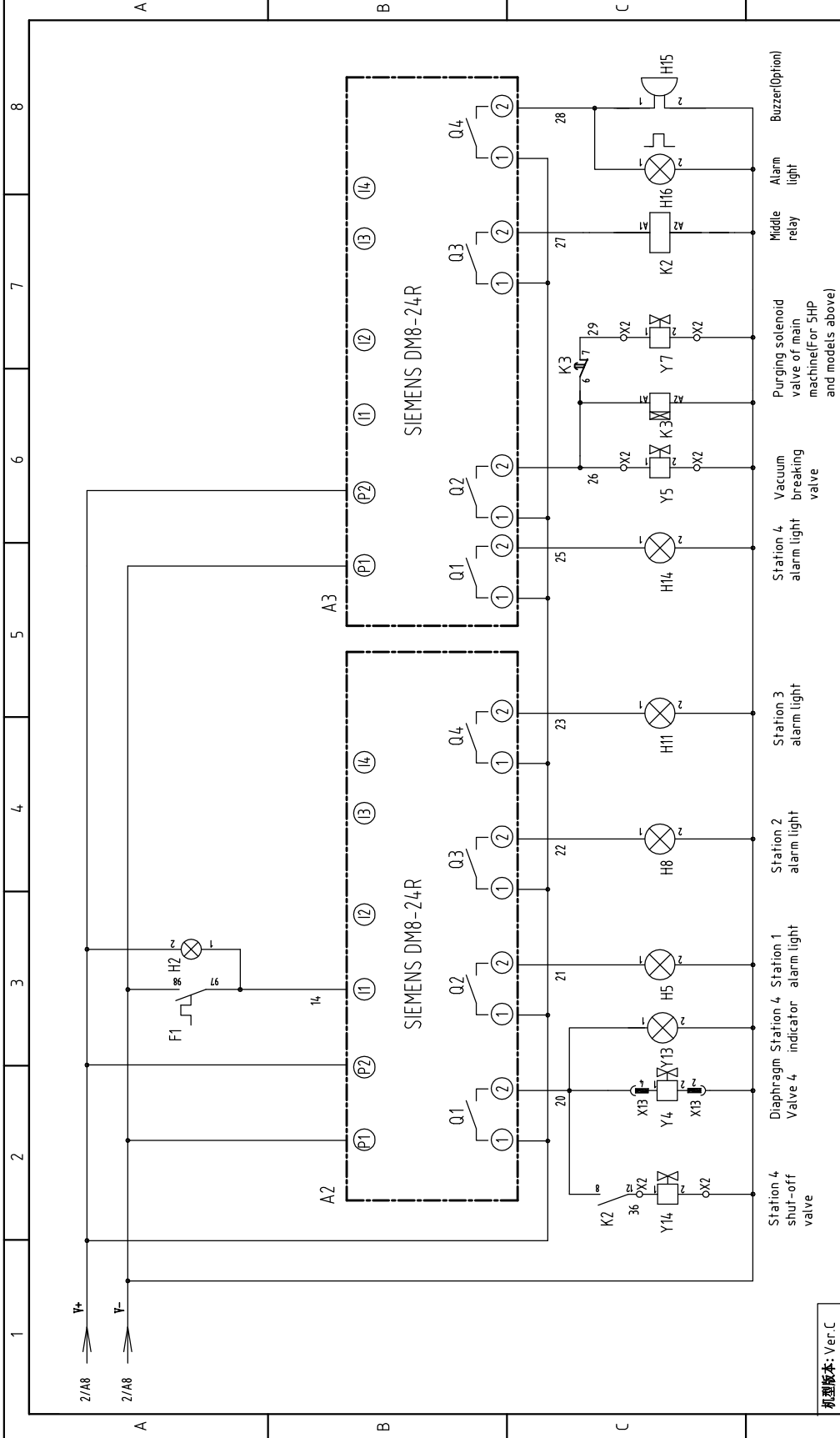




1/B6
3/A1
Station 1 switch
Station 2 switch
Station 3 switch
Station 4 switch
Station 1 level sensor
Station 2 level sensor
Station 3 level sensor
Station 4 level sensor
Blower Contactor
Diaphragm Station 1 Shut-off Valve 1 indicator Valve 1
Diaphragm Station 2 Shut-off Valve 2 indicator Valve 2
Diaphragm Station 3 Shut-off Valve 3 indicator Valve 3

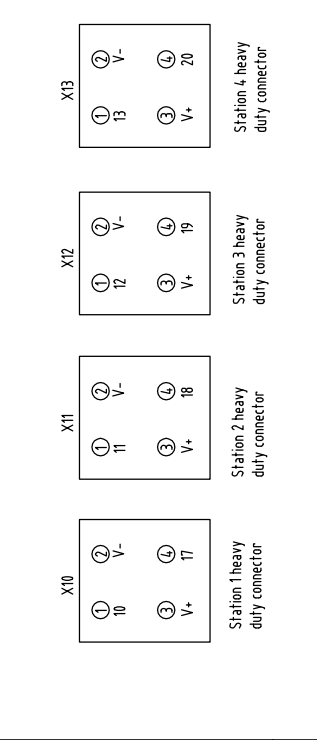
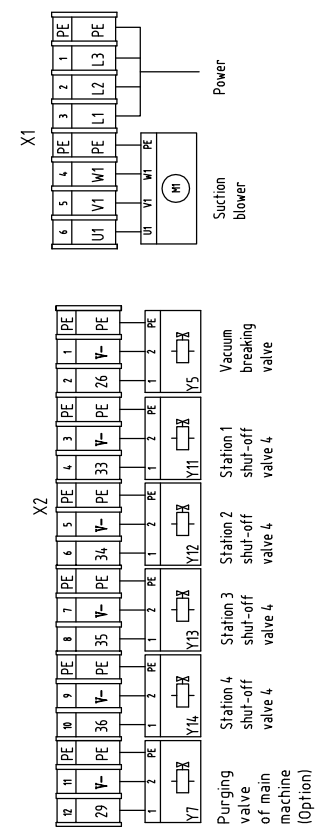
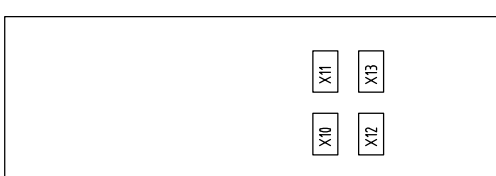
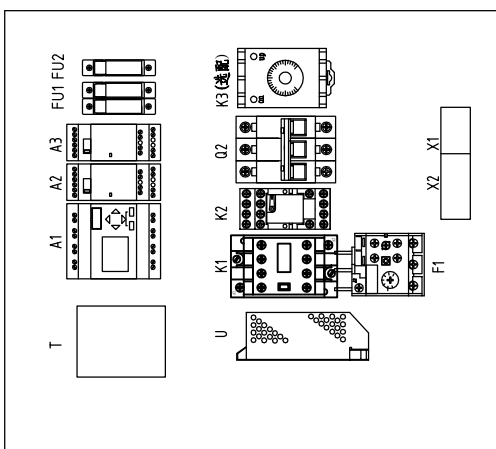
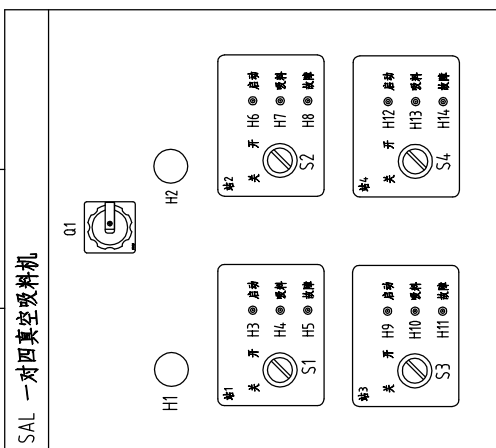
机型版本: Ver.C			SAL-10HP-UG124			SAL-10HP-UG124-CE-230V-D-2			Page 2		
Control Circuit Diagram 1			Drawing No.			Scale			Totally 6 Pages		
D			Version			Standard			Frequency		
20160531			Approved by			20160531			230V		
Date			Checked by			Frequency			50/60Hz		
4			Date			Frequency			8		





机型版本: Ver.C

Title		Drawing No.	
SAL-10HP-UG124		SAL-10HP-UG124-CE-230V-D-3	
Control Circuit Diagram 2		SHINI 信易塑料机械股份有限公司 Shini Plastics Technologies, Inc.	
Version	D	Scale	Page 3
Approved by		Standard	Totally 6
Designer			Page
Proofread by			230V
Checked by	20160531		Frequency
Modify date			50/60Hz
After modification			8
Before modification			7
			6
			5
			4
			3
			2
			1



机型版本: Ver.C

Title		Drawing No.		Scale	Page
SAL-10HP-UG124		SAL-10HP-UG124-CE-230V-D-4		Standard	Totally 6
Electrical Components Layout		SHINI		Voltage	230V
SHINI		信易塑料机械股份有限公司		Frequency	50/60HZ
Shini Plastics Technologies, Inc.		20160531			
Revision	Drawn	Designed	Proofread	Checked	
1					
2					
3					
4					
5					
6					
7					
8					

1	2		3	4	5	6		7	8	
NO.	Symbol	Name	Manufacturer	Type	Specification	Number	Material number	Remark		
1	Q1	Main switch	MOELLER	P3-63	63A	1	YE10636300000			
2	Q2	Circuit breakers	TECO	BM-100T	80A	1	YE40308003000			
3	K1	Contactors	SIEMENS	3RT6028-1ACZ0	24VAC	1	YE00602802600		A	
4	K2	Relay	Honeywell	GR-4C	24VDC	1	YE03042400500			
5	F1	Overload relays	SIEMENS	3RU6126-4EB0	27-32A	1	YE01612600600			
6	FU1,FU2 ,FU3	Fuse	YINDA	FS-10	2A	4	YE41001000000			
7	T	Transformer	BAIYUN	IN=230V OUT=24VAC 80VA	80VA	1	YE70248005900			
8	A1	Program controller	SIEMENS	LOGO24RC	24VDC	1	YE81002400000			
9	A2,A3	Extended module	SIEMENS	LOGO1DM8 24R	24VDC	2	YE82082400000			
10	U1	DC power	MEAN WELL	S-35-24	24VDC 15A	1	YE71352400000			
11	S1 S2 S3 S4	Knob switch	ABB	CZSS2-10B-10	Ui=300V Ith=5A	4	YE12210100000		B	
12	S5 S6 S7 S8	Photoelectricity switch	FOTEK	MT-4MNO-30VDC	10..30VDC	4	YE15000400000	(1) SVH		
13		Reed switch	SONON	BN12-30BLA	24VDC	4	YE15123000000	(1) SMH		
14	Y1-Y5	Solenoid valve	FESTO	----	24VDC	5	----	(1)		
15	Y11-Y14	Solenoid valve	FESTO	----	24VDC	4	----	(1)		
16	H1	Indicator	ABB	CL-520G	24VDC	1	YE83050200100			
17	H2	Indicator	ABB	CL-520Y	24VDC	1	YE83050200000			
18	H3 H4 H6 H7 H9 H10 H12 H13	Indicator	SHINI	绿色GR	24VDC	8	YE83002400200			
19	H5 H8 H11 H14	Indicator	SHINI	红色RD	24VDC	4	YE83002400000		C	
20	H15	Buzzer	SHINI	PK-27A	24VDC	1	YE84002700000	(2)		
21	H16	Alarm light	SHINI	LTE-30S1	24VDC	1	YE83305100300			
22	X1	Terminal block	---	6.0mm ²	---	6	YE61060000000			
23		Terminal block	---	6.0mm ² PE	---	2	YE61063500000			
24	X10,X11,X12,X13	Heavy-duty connector	SIBAS	HA-004-(F(Female))	4P	4	YE60000040000			
25		Heavy-duty connector	SIBAS	HA-004-(M(Male))	4P	4	YE60000400200			
机匣版本: Ver.C Notes: (1) Means not part of control box.; (2) Stands for optional.										
D										
			Drawer	Version	Title		Drawing No.		Scale	Page 5
			Designer	Approved by	SAL-10HP-UG124		SAL-10HP-UG124-CE-230V-D-5		Standard	CE
			Proofread by		Electrical Components List 1				Total	6
			Checked by	Date	SHINI		信易塑料机械股份有限公司 Shini Plastics Technologies, Inc.		Frequency	230V
Mark			Before modification	Modified by	20160531			Frequency		50/60Hz
1 2 3 4 5 6 7 8										

1	2		3	4	5	6		7	8	
NO.	Symbol	Name	Manufacturer	Type	Specification	Number	Material number	Remark		
26	X2	Terminal block	---	2.5mm ²	---	10	YE61250040000			
27		Terminal block	---	2.5mm ² PE	---	5	YE61253500000			
28	M	Blower	SHINI	---	10HP 230V 50/60Hz	1	---	(1)	A	
A										
B										
C										
D										
机型版本: Ver.C Notes: (1) Means not part of control box; (2) Stands for optional.										
			Version	D	Title		Drawing No.		Scale	Page
			Designer		SAL-10HP-UG124		SAL-10HP-UG124-CE-230V-D-6		Standard	Totally
			Proofread by		Electrical Components List 2				CE	6
			Checked by						Voltage	230V
			Modify date	20160531					Frequency	50/60Hz
Mark			Before modification							8

