

SVM-EB Series

Budget Vertical Mixers

Date: Mar, 2017

Version: Ver.A (English)



Contents

1. General Description	7
1.1 Coding Principle	8
1.2 Feature.....	8
1.3 Technical Specifications.....	9
1.3.1 Technical Specifications	9
1.3.2 Specifications	9
1.4 Safety Regulations.....	10
1.4.1 Safety Signs and Labels	10
1.4.2 Transportation and Storage of the Machine.....	10
2. Structure Characteristics and Working Principle	12
2.1 Main Functions.....	12
2.1.1 Working Principle Illustration	12
2.2 Drawing and Parts List.....	13
2.2.1 Assembly Drawing	13
2.2.2 Parts List.....	14
2.2.3 Control box Assembly.....	15
2.2.4 Parts List.....	15
2.3 Electrical Circuit	16
2.3.1 Circuit Diagram(SVM-50U-EB)	16
2.3.2 Electrical Components Layout (SVM-50U-EB)	17
2.3.3 Electrical Components List(SVM-50U-EB)	18
2.3.4 Circuit Diagram(SVM-100U-EB)	19
2.3.5 Electrical Components Layout (SVM-100U-EB)	20
2.3.6 Electrical Components List(SVM-100U-EB)	21
2.3.7 Circuit Diagram(SVM-150U-EB)	22
2.3.8 Electrical Components Layout (SVM-150U-EB)	23
2.3.9 Electrical Components List(SVM-150U-EB)	24
2.3.10 Circuit Diagram(SVM-200U-EB)	25
2.3.11 Electrical Components Layout (SVM-200U-EB)	26
2.3.12 Electrical Components List(SVM-200U-EB)	27
2.3.13 Timer	28

3. Installation and Debugging.....	29
3.1 Install the Machine on a Water-level Floor	29
3.2 Installation Space	29
3.3 Installation of Motor	30
3.4 Installation of Blending Vanes	30
3.5 Power Connection	30
4. Application and Operation.....	31
4.1 Description of Control Panel	31
4.2 Control Panel Description	31
4.3 Start / Stop of the Machine.....	31
4.4 Operation Guide.....	32
4.5 Material Cleaning Method	32
5. Trouble-shooting	33
6. Maintenance and Repair	34
6.1 Service	34
6.2 Maintenance	34
6.2.1 Maintenance of Blending Motor	34
6.2.2 Maintenance of Blending Barrel and Blending Screw	34
6.3 Maintenance Schedule.....	35
6.3.1 About the Machine.....	35
6.3.2 Check after Installation	35
6.3.3 Daily Checking.....	36
6.3.4 Weekly Checking	37
6.3.5 Monthly Checking	38

Table Index

Table 1-1: Specifications	9
Table 2-1: Parts List.....	14
Table 2-2: Parts List.....	15
Table 2-3: Electrical Components List (SVM-50U-EB)	18
Table 2-4: Electrical Components List (SVM-100U-EB)	21
Table 2-5: Electrical Components List (SVM-150U-EB)	24

Table 2-6: Electrical Components List (SVM-200U-EB) 27

Picture Index

Picture 1-1: Technical Specifications 9

Picture 2-1: Working Principle Illustration 12

Picture 2-2: Circuit Diagram(SVM-50U-EB) 16

Picture 2-3: Electrical Components Layout (SVM-50U-EB) 17

Picture 2-4: Circuit Diagram(SVM-100U-EB) 19

Picture 2-5: Electrical Components Layout (SVM-100U-EB) 20

Picture 2-6: Circuit Diagram(SVM-150U-EB) 22

Picture 2-7: Electrical Components Layout (SVM-150U-EB) 23

Picture 2-8: Circuit Diagram(SVM-200U-EB) 25

Picture 2-9: Electrical Components Layout (SVM-200U-EB) 26

Picture 2-10: Timer 28

Picture 3-1: Install the Machine on a Water-level Floor 29

Picture 3-2: Installation Space 30

Picture 4-1: Description of Control Panel 31

1. General Description



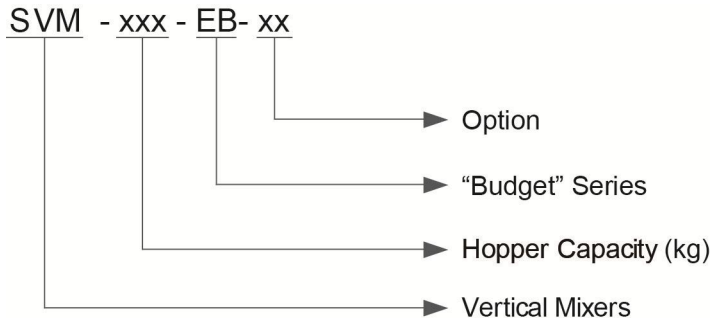
Read this manual before installation and using of the machine to prevent personal injuries and damage of the machine.

SVM series "Standard" vertical mixers are for powder and granule - like materials. They feature simple structure, fast mixing speed, easy for operation, maintenance and cleaning. It is mainly applied in plastic material mixing and also widely used in different industries, such as: powder metallurgy, pottery, chemical industry and food industry. It is an ideal mixing facility with five models, handling capacity ranging from 25 ~ 300kg.



Model: SVM-100-EB

1.1 Coding Principle



1.2 Feature

- I Stainless steel hopper receiver and mixing blade ensure no material contamination and durability.
- I Hopper lid has protective device. Stop machine when open the hopper lid to avoid danger caused by miss-operation.
- I It equips with motor overload protection to avoid motor overload and burnout.
- I Auto stop device is provided, and the auto stop function can be set within 0~300 hr.

All service work should be carried out by a person with technical training or corresponding professional experience. The manual contains instructions for both handling and servicing. Chapter 6, which contains service instructions intended for service engineers. Other chapters contain instructions for the daily operator.

Any modifications of the machine must be approved by SHINI in order to avoid personal injury and damage to machine. We shall not be liable for any damage caused by unauthorized change of the machine.

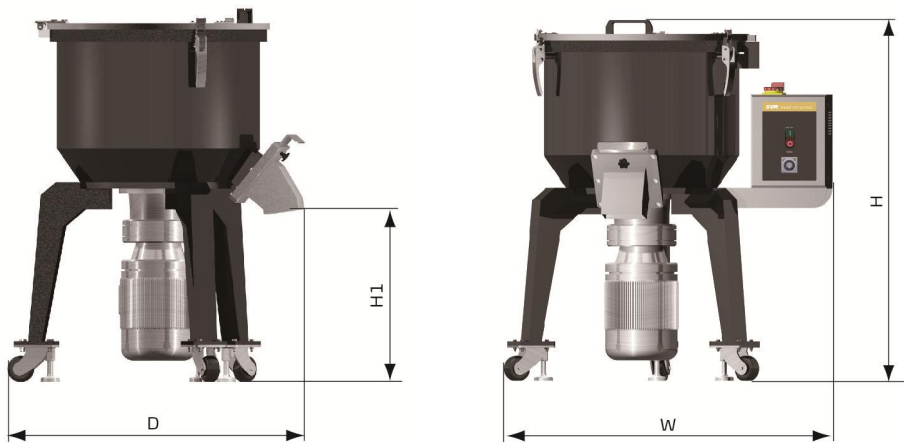
Our company provides excellent after-sales service. Should you have any problem during using the machine, please contact the company or the local vendor.

Headquarter and Taipei factory:

Tel: 0800-000-860

1.3 Technical Specifications

1.3.1 Technical Specifications



Picture 1-1: Technical Specifications

1.3.2 Specifications

Table 1-1: Specifications

Model	SVM-25-EB	SVM-50-EB	SVM-100-EB	SVM-150-EB	SVM-200-EB	SVM-300-EB
Motor Power (kW,)	1.1	1.5	3.0	4.0	7.5	7.5
Max. Throughput (kg/hr)	125	250	500	750	1000	1500
Blending Barrel* (kg)	25	50	100	150	200	300
Dimensions (mm)	H	920	1085	1115	1245	1610
	H1	420	487	495	495	785
	D	830	861	1070	1070	1180
	W	935	965	1150	1150	1280
Weight(kg)	90	120	170	250	340	385

Note: 1) " * " means when overloaded, the optimal mixing time is about 10 mins.

2) Maximum noise level is 80dB (A).

3) All output capacities from above models are based on data from bulk density 0.65Kg/L and 2~3 mm in size.

4) Maximum throughput is 5 batches in hourly mixing, with 10mins for each batch, which is calculated by maximum capacity of the hopper.

5) Power supply 3Φ, 400VAC 50Hz.

We reserve the right to change specifications without prior notice.

1.4 Safety Regulations

Strictly abide by the following safety regulations to prevent damage of the machine or personal injuries.

1.4.1 Safety Signs and Labels



All the electrical components should be installed by qualified electricians. Turn off the main switch and control switch during maintenance or repair.



Warning! High voltage!

This sign is attached on the cover of control box!



Warning! Be careful!

Be more careful at the place where this sign appears!



Attention!

No need for regular inspection because all the electrical parts in the control unit are fixed tightly!

1.4.2 Transportation and Storage of the Machine

Transportation

- 1) SVM series vertical batch mixers are packed in crates or plywood cases with wooden pallet at the bottom, suitable for quick positioning by fork lift.
- 2) After unpacked, castors equipped on the machine can be used for ease of movement.
- 3) Do not rotate the machine and avoid collision with other objects during transportation to prevent improper functioning.
- 4) The structure of the machine is well-balanced, although it should also be handled with care when lifting the machine for fear of falling down.
- 5) The machine and its attached parts can be kept at a temperature from -25°C to $+55^{\circ}\text{C}$ for long distance transportation and for a short distance, it can be transported with temperature under $+70^{\circ}\text{C}$.

Storage

- 1) SVM series vertical batch mixers should be stored indoors with temperature kept from 5°C to 40°C and humidity below 80%.
- 2) Disconnect all power supply and turn off main switch and control switch.

- 3) Keep the whole machine, especially the electrical components away from water to avoid potential troubles caused by the water.
- 4) Plastic film should be used to protect the machine from dust and rains.

The machine should be operated:

- 1) Indoors in a dry environment with max. temperature +45°C and humidity no more than 80%.

Do not use the machine:

- 1) If it is with a damaged cord.
- 2) On a wet floor or when it is exposed to rain to avoid electrical shock.
- 3) If it has been dropped or damaged until it is checked or fixed by a qualified serviceman.
- 4) This equipment works normally in the environment with altitude within 3000m.
- 5) At least a clearance of 1m surrounding the equipment is required during operation. Keep this equipment away from flammable sources at least two meters.
- 6) Avoid vibration, magnetic disturbance at the operation area.

Rejected parts disposal

When the equipment has run out its life time and can not be used any more, unplug the power supply and dispose of it properly according to local code.

Fire Hazard



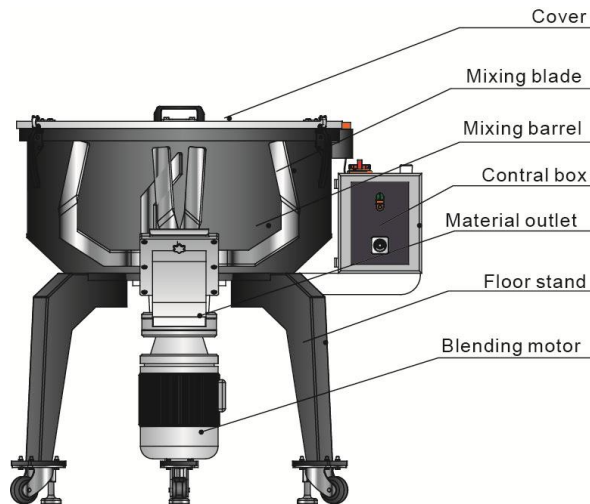
In case of fire, Co₂ dry powder fire extinguisher should be applied.

2. Structure Characteristics and Working Principle

2.1 Main Functions

SVM series working principle is that blending material continuously by using a stainless steel blender. Upper and lower blender rotate continuously to make raw material blended quickly and evenly.

2.1.1 Working Principle Illustration

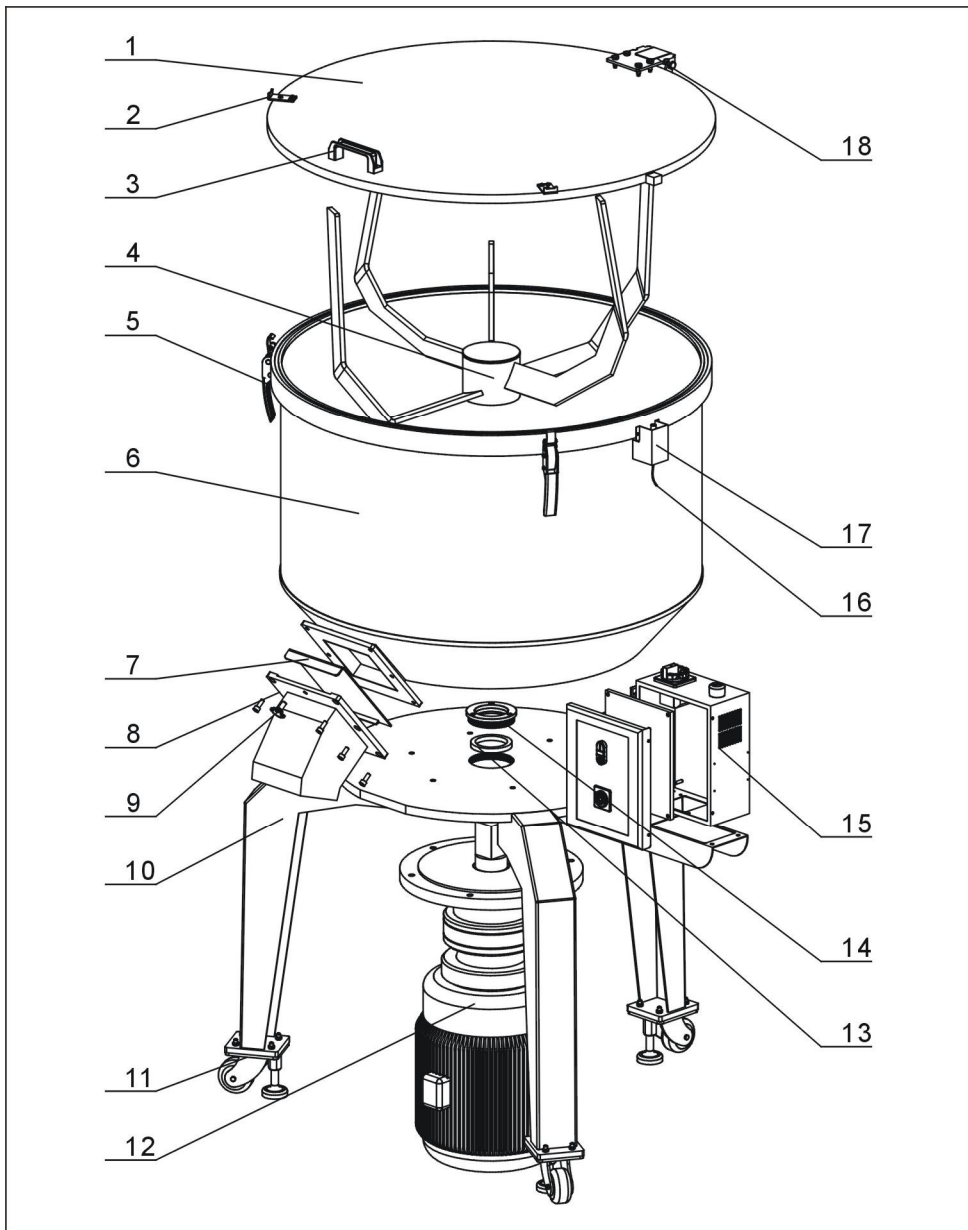


Picture 2-1: Working Principle Illustration

Control box sends signal to the motor, and it starts rotating. Motor main shaft drives blades to mix different materials with the rotation, which evenly mix the material in short cycle. When timer of the control box reaches set time, the motor stops. At this time, open the discharge port of the hopper, and discharge the material. Then, the mixing is finished (During the process, if the mixing is overloaded, the buzzer will sound with alarm).

2.2 Drawing and Parts List

2.2.1 Assembly Drawing



Remarks: Please refer to material List 2.2.2 for specific explanation of the Arabic numbers in parts drawing.

Picture 2-3: Assembly Drawing

2.2.2 Parts List

Table 2-1: Parts List

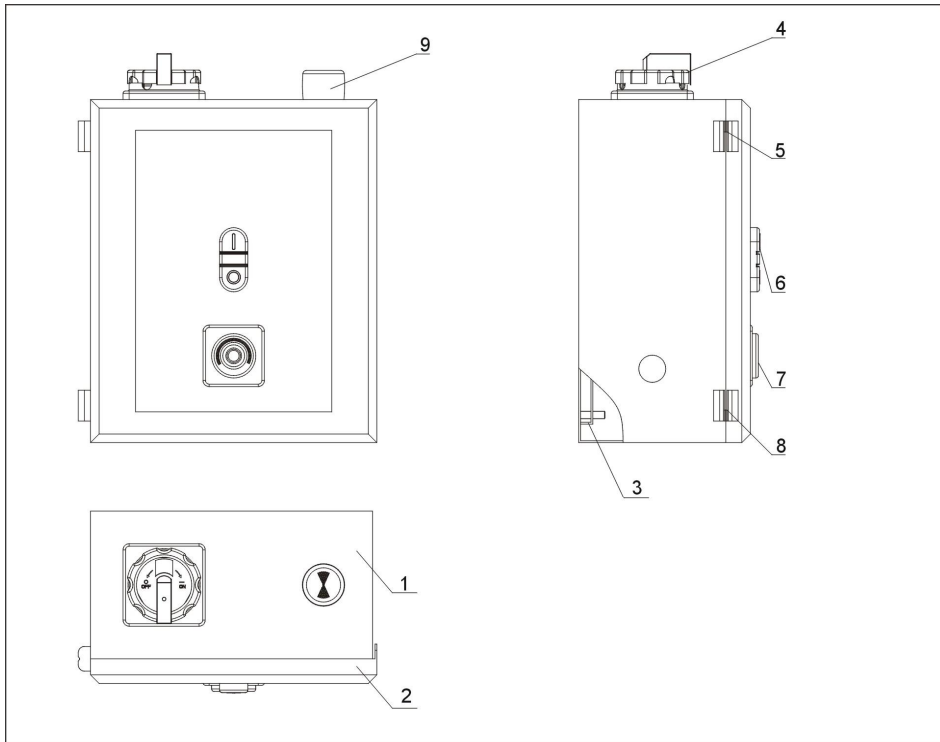
No.	Name	Part No.
1	Lid	-
2	Handle hook	YW00001200000
3	Aluminum square handle	BW20012000040
4	Mixer assembly	-
5	Knob	YW00121000000
6	Barrel assembly	-
7	Shut-off plate	-
8	Discharge port	-
9	Star handle M8x35	YR40083500000
10	Bottom base assembly	-
11	Castor (with anti-vibration pad)	YW3000301000
12	Gear motor	-
13	Oil seal 90x70x10.0	YR80971000000
14	Central screw	-
15	Control box assembly	-
16	Reed switch BN12-30BAA	YE10123000000
17	Fixed plate 1 of reed switch 1	-
18	Cover back button	YW06102000000

* means possible broken parts.

** means easy broken part. and spare backup is suggested.

Please confirm the version of manual before placing the purchase order to guarantee that the item number of the spare part is in accordance with the real object.

2.2.3 Control box Assembly



Remarks: Please refer to material List 2.2.4 for specific explanation of the Arabic numbers in parts drawing.

Picture 2-3: Control Box Assembly

2.2.4 Parts List

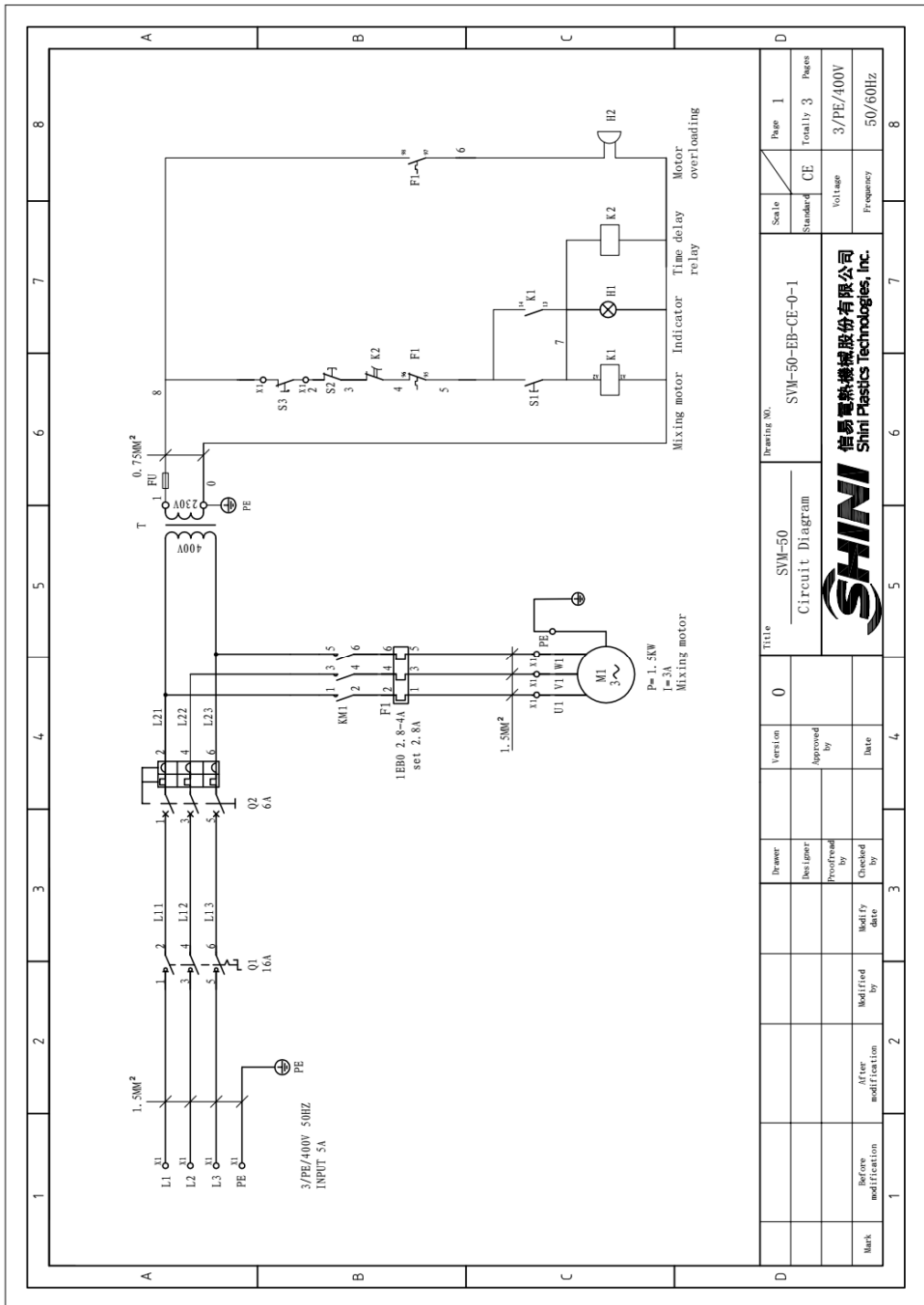
Table 2-2: Parts List

No.	Name	Part No.	No.	Name	Part No.
1	Control box		6	Assembly switch	YE11221000000
2	Control box cover		7	Timer	YE86300800000
3	Bottom plate of electric appliance		8	Small hinge CL203-4(left)	YW06203400100
4	Main power switch	YE10021160000	9	Buzzer	YE84162200000
5	Small hinge CL203-4(right)	YW06203400000			

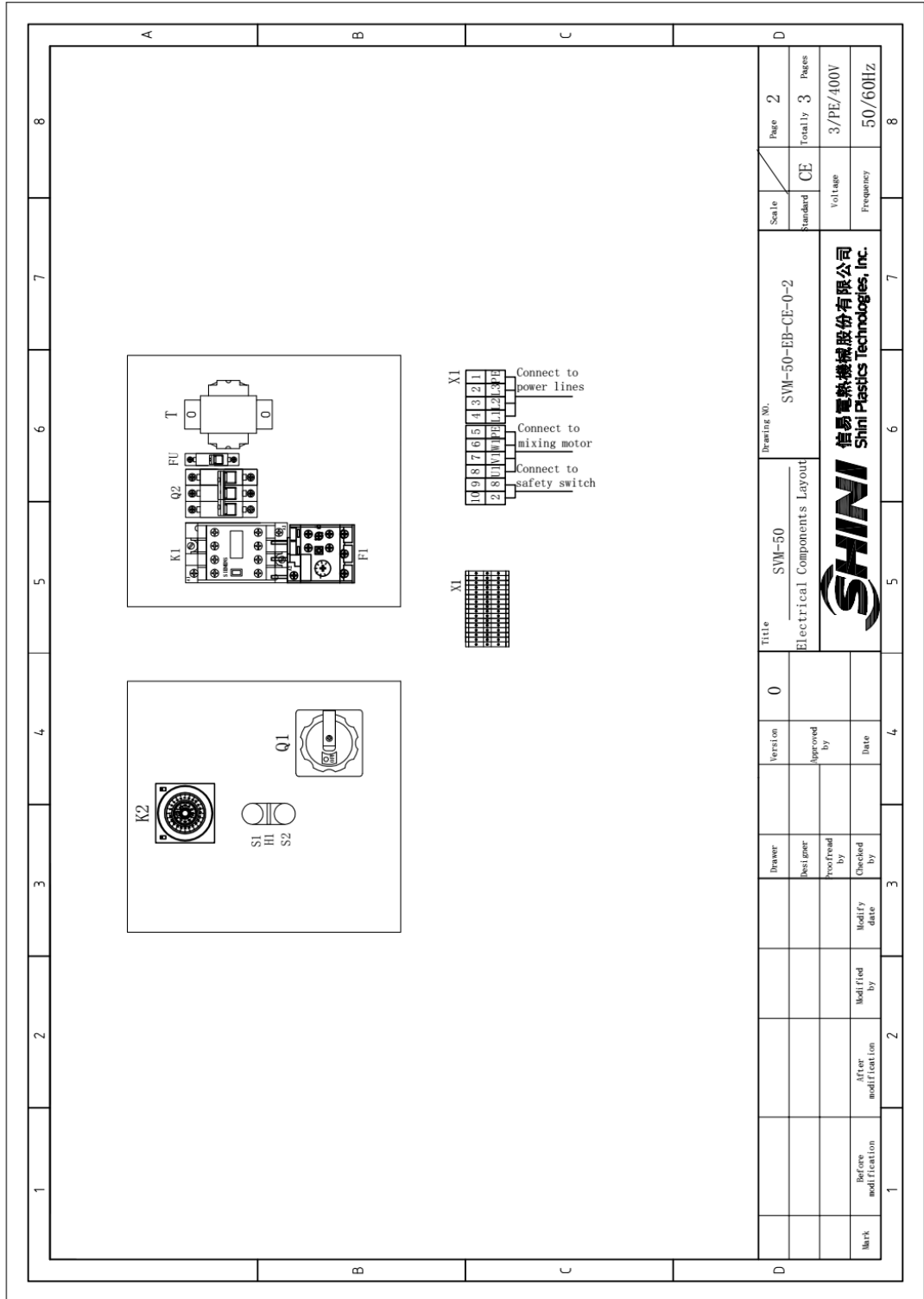
Please confirm the version of manual before placing the purchase order to guarantee that the item number of the spare part is in accordance with the real object.

2.3 Electrical Circuit

2.3.1 Circuit Diagram(SVM-50U-EB)



2.3.2 Electrical Components Layout (SVM-50U-EB)



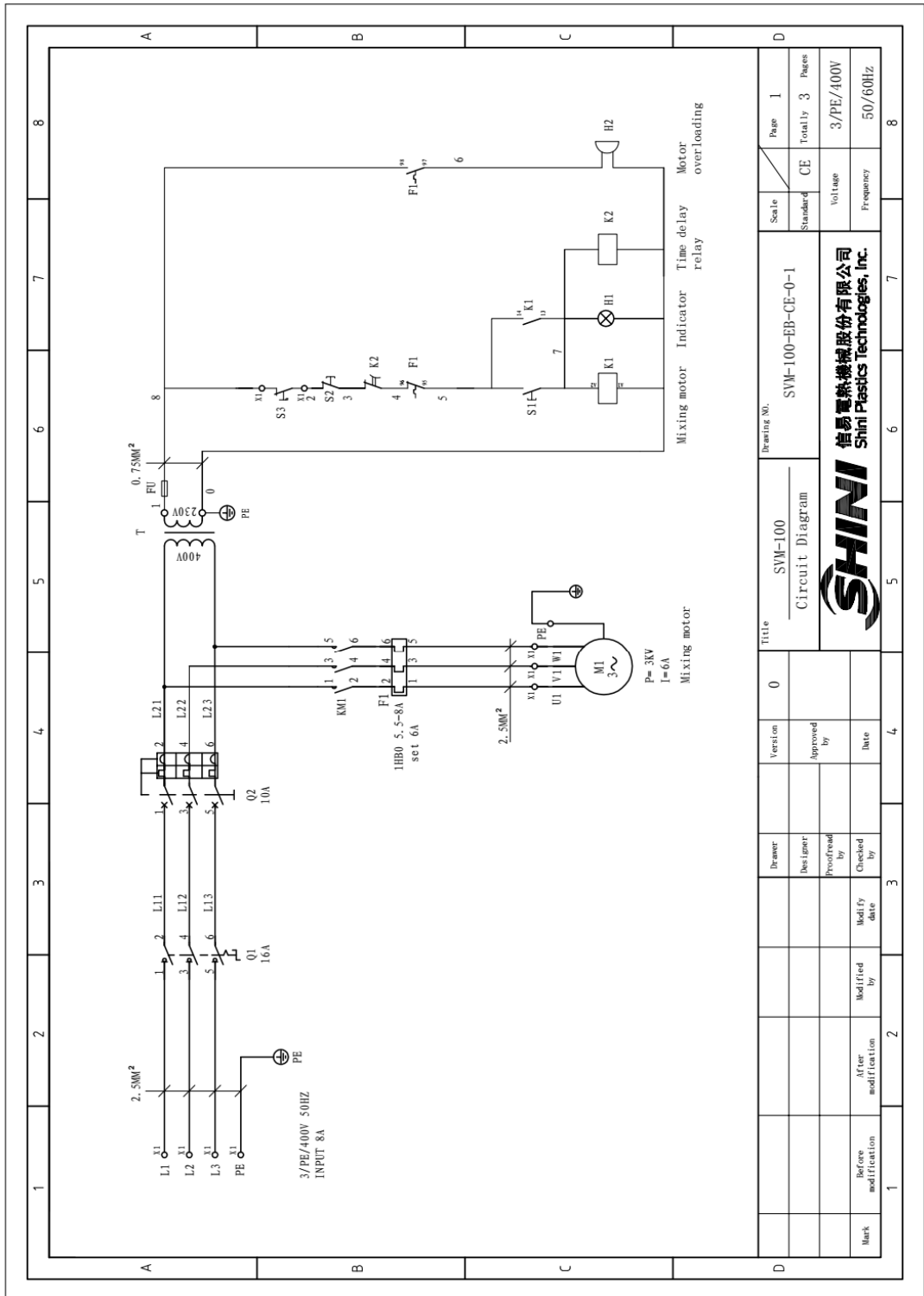
Picture 2-3: Electrical Components Layout (SVM-50U-EB)

2.3.3 Electrical Components List(SVM-50U-EB)

Table 2-3: Electrical Components List (SVM-50U-EB)

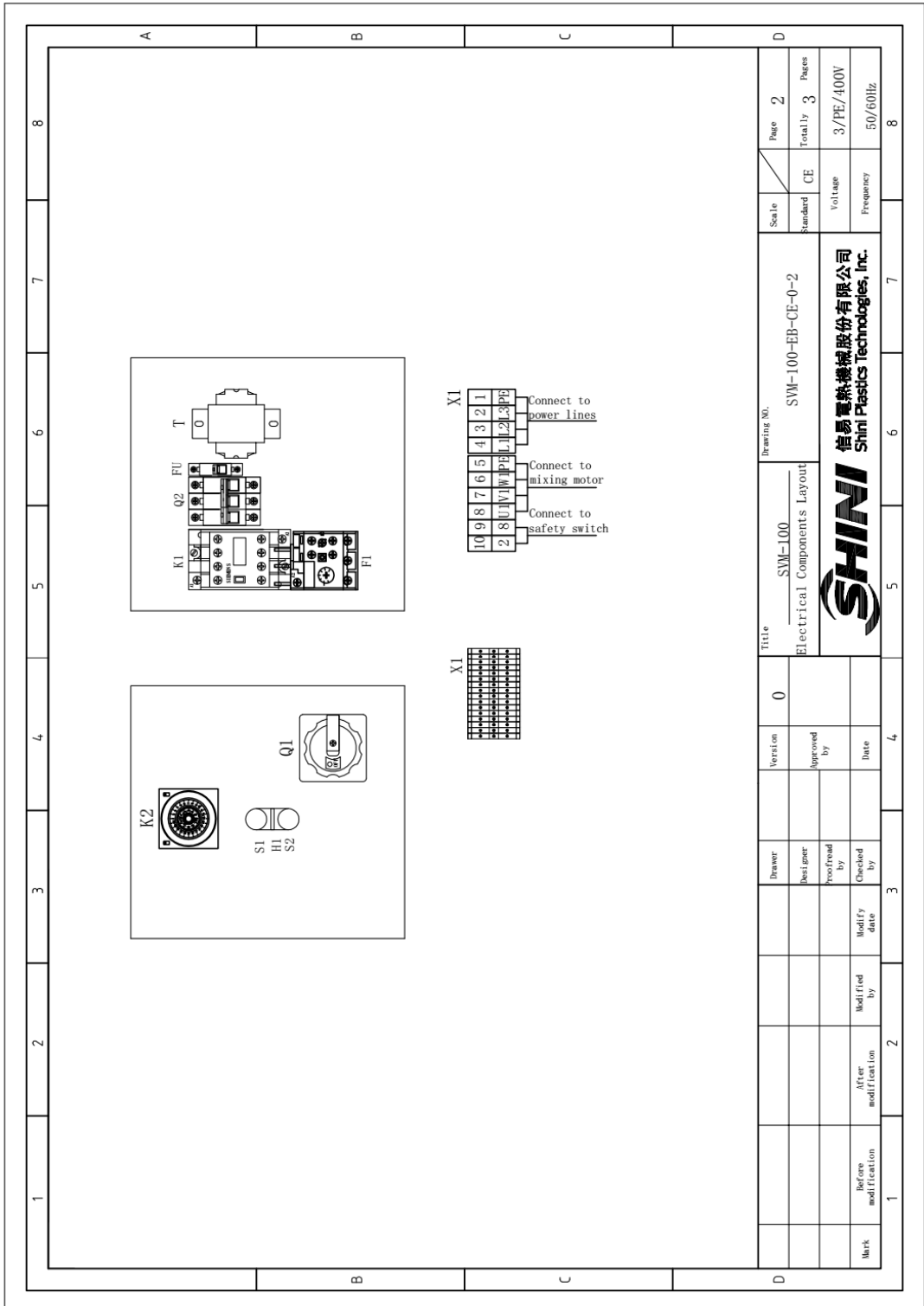
1		2		3		4		5		6		7		8																																																																																																																	
NO.	Symbol	Name	Manufacturer	Type	Specification	Number	Material number	Remark																																																																																																																							
1	Q1	Main switch	EATON	TO-2-1/EA/SVB	16A	1	YE10021160000																																																																																																																								
2	Q2	Circuit breaker	TECO	BM-63C	6A	1	YE40300603000																																																																																																																								
3	K1	Contact	SIEMENS	3RT6015-1A21	220VAC	1	YE00601521000																																																																																																																								
4	K2	Timer relay	OMRON	H3BA-NSH/1.2S-300H	220VAC	1	YE86300800000																																																																																																																								
5	F1	Overload relay	SIEMENS	3RU6116-1EB0	2.8-4A	1	YE01160280000																																																																																																																								
6	FU	Fuse	YINDA	FS-10	2A	1	YE41001000000																																																																																																																								
7	S1 S2	Control switch	DONGSHENG	APBB-22N(指示灯220VAC)	600V 10A	1	YE11000200000																																																																																																																								
8	X1	Terminal	HONEYWELL	2.5mm ²	SK2.5MMF	8	YE60002503200																																																																																																																								
9			HONEYWELL	2.5mm ² PE	GK2.5MMF PE	2	YE60002503400																																																																																																																								
10	M1	Motor	--	1.5KW	400V 50/60Hz	1	--	(1)																																																																																																																							
11	T	Transformer	SHINI	IN=400V OUT=230VAC	300VA	1	YE70040000200																																																																																																																								
12	H2	Buzzer	KPE	PF-35A	220VAC	1	YE84003500000																																																																																																																								
Notes: (1)Means it's not the material inside the control box.																																																																																																																															
<table border="1" style="width:100%; border-collapse: collapse;"> <tr> <td colspan="2">D</td> <td colspan="2">E</td> <td colspan="2">F</td> <td colspan="2">G</td> <td colspan="2">H</td> <td colspan="2">I</td> <td colspan="2">J</td> <td colspan="2">K</td> </tr> <tr> <td>Mark</td> <td>Before modification</td> <td>After modification</td> <td>Modified by</td> <td>Modify date</td> <td>Checked by</td> <td>Checked date</td> <td>Proofread by</td> <td>Proofread date</td> <td>Designer</td> <td>Version</td> <td colspan="2">Title</td> <td colspan="2">Drawing No.</td> <td>Scale</td> </tr> <tr> <td></td> <td></td> <td></td> <td></td> <td></td> <td></td> <td></td> <td></td> <td></td> <td></td> <td>0</td> <td colspan="2">SVM-50</td> <td colspan="2">SVM-50-EB-CE-0-3</td> <td>Standard</td> </tr> <tr> <td></td> <td></td> <td></td> <td></td> <td></td> <td></td> <td></td> <td></td> <td></td> <td></td> <td>Approved by</td> <td colspan="2">Electrical Components List</td> <td colspan="2">CE</td> <td>Page 3</td> </tr> <tr> <td></td> <td></td> <td></td> <td></td> <td></td> <td></td> <td></td> <td></td> <td></td> <td></td> <td>Date</td> <td colspan="2">SHINI 怡易電熱機械股份有限公司 Shini Plastics Technologies, Inc.</td> <td colspan="2">Voltage</td> <td>Totally 3 Pages</td> </tr> <tr> <td></td> <td></td> <td></td> <td></td> <td></td> <td></td> <td></td> <td></td> <td></td> <td></td> <td></td> <td colspan="2"></td> <td colspan="2">Frequency</td> <td>3/PE/400V</td> </tr> <tr> <td></td> <td></td> <td></td> <td></td> <td></td> <td></td> <td></td> <td></td> <td></td> <td></td> <td></td> <td colspan="2"></td> <td colspan="2">50/60Hz</td> <td>8</td> </tr> </table>																D		E		F		G		H		I		J		K		Mark	Before modification	After modification	Modified by	Modify date	Checked by	Checked date	Proofread by	Proofread date	Designer	Version	Title		Drawing No.		Scale											0	SVM-50		SVM-50-EB-CE-0-3		Standard											Approved by	Electrical Components List		CE		Page 3											Date	SHINI 怡易電熱機械股份有限公司 Shini Plastics Technologies, Inc.		Voltage		Totally 3 Pages														Frequency		3/PE/400V														50/60Hz		8
D		E		F		G		H		I		J		K																																																																																																																	
Mark	Before modification	After modification	Modified by	Modify date	Checked by	Checked date	Proofread by	Proofread date	Designer	Version	Title		Drawing No.		Scale																																																																																																																
										0	SVM-50		SVM-50-EB-CE-0-3		Standard																																																																																																																
										Approved by	Electrical Components List		CE		Page 3																																																																																																																
										Date	SHINI 怡易電熱機械股份有限公司 Shini Plastics Technologies, Inc.		Voltage		Totally 3 Pages																																																																																																																
													Frequency		3/PE/400V																																																																																																																
													50/60Hz		8																																																																																																																

2.3.4 Circuit Diagram(SVM-100U-EB)



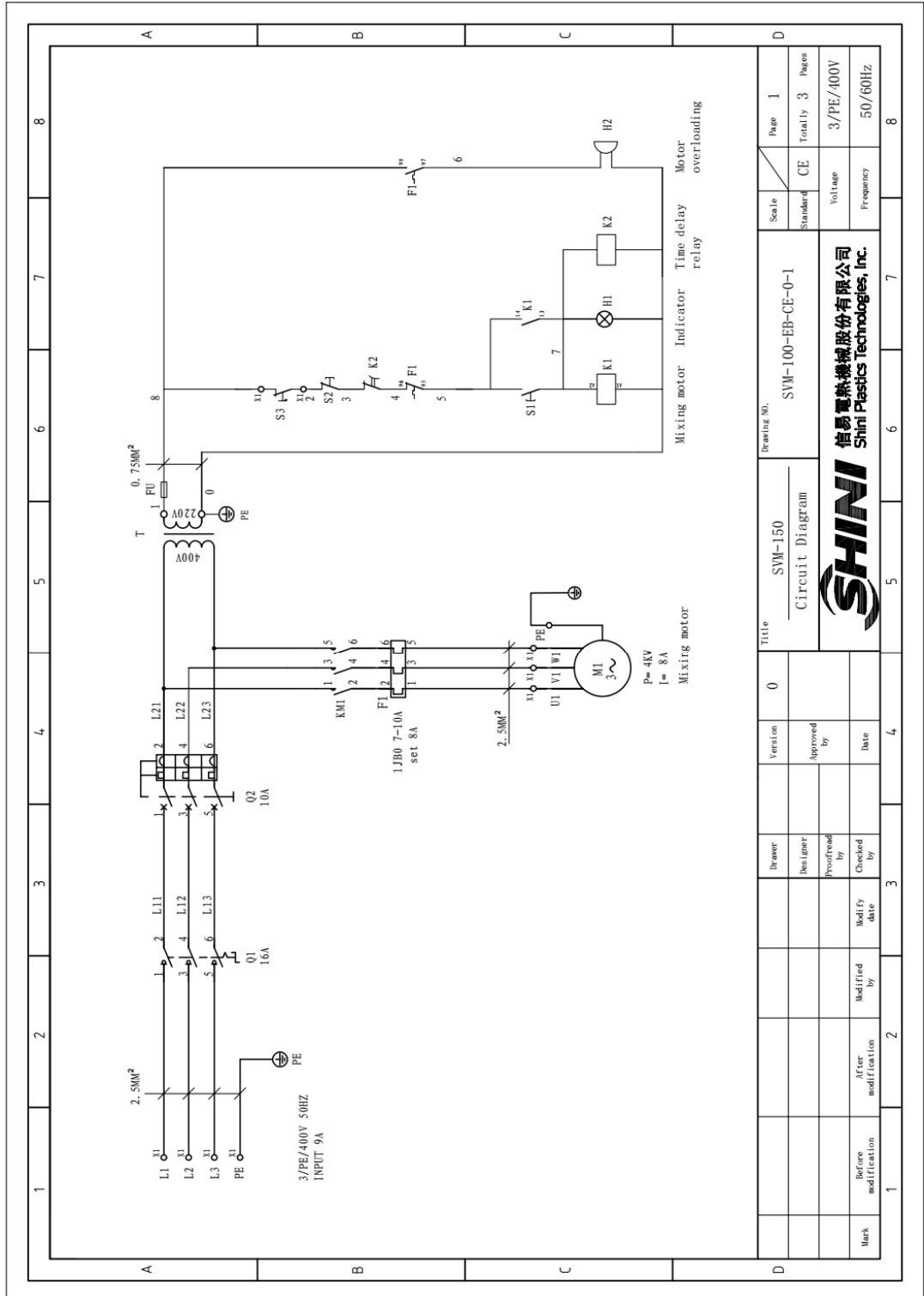
Picture 2-4: Circuit Diagram(SVM-100U-EB)

2.3.5 Electrical Components Layout (SVM-100U-EB)



Picture 2-5: Electrical Components Layout (SVM-100U-EB)

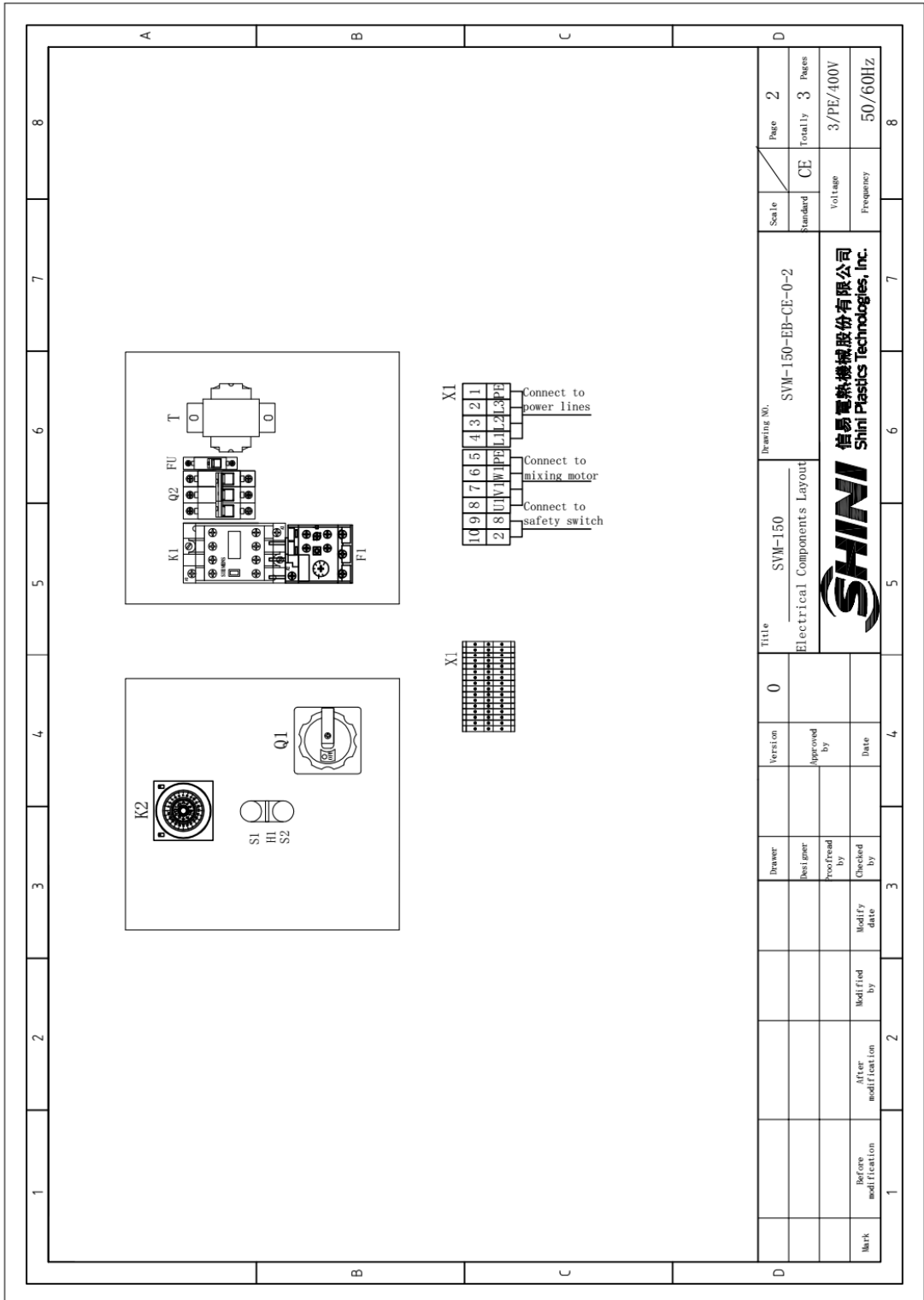
2.3.7 Circuit Diagram(SVM-150U-EB)



Mark	Before modification	After modification	Modify date	Checked by	Proofread by	Designer	Version	0	Title	SVM-150 Circuit Diagram	Drawing No.	SVM-100-EB-CE-0-1	Scale	Standard	Page	1
															Totaly	3
															Voltage	3/PE/400V
															Frequency	50/60Hz

Picture 2-6: Circuit Diagram(SVM-150U-EB)

2.3.8 Electrical Components Layout (SVM-150U-EB)



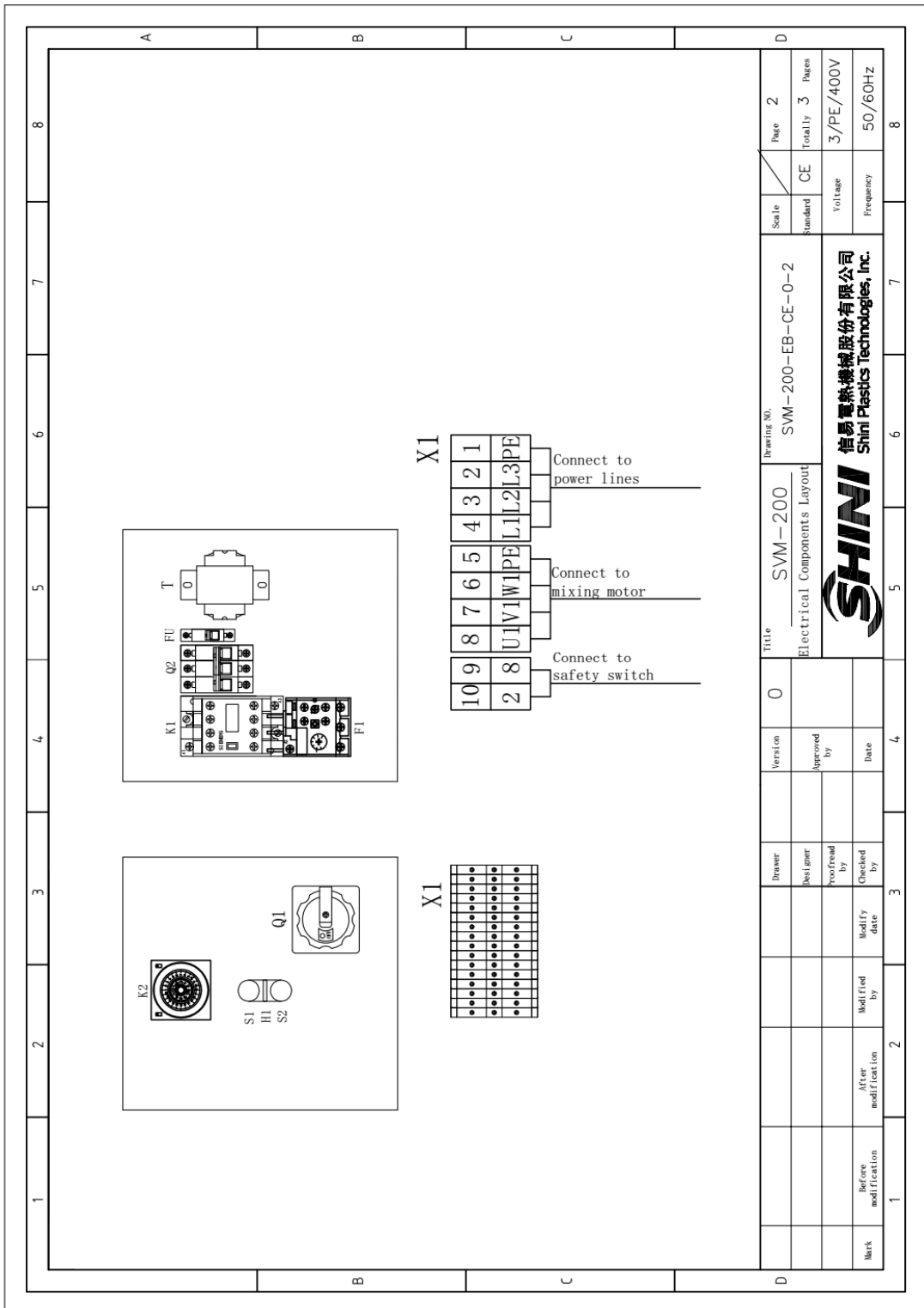
Picture 2-7: Electrical Components Layout (SVM-150U-EB)

2.3.9 Electrical Components List(SVM-150U-EB)

Table 2-5: Electrical Components List (SVM-150U-EB)

1		2		3		4		5		6		7		8	
No.	Symbol	Name	Manufacturer	Type	Specification	Number	Material number	Remark							
1	Q1	Main switch	EATON	T0-2-1/EM/SVB	16A	1	YE10021160000								
2	Q2	Circuit breaker	TECO	BM-63C	10A	1	YE40301003000								
3	K1	Contact	SIEMENS	3RT6017-1AN21	220VAC	1	YED0601721000								
4	K2	Timer relay	T&C	TH3M-NAB(GS-60M)	220VAC	1	YER63003000000								
5	F1	Overload relay	SIEMENS	3RU6116-1JB0	7-10A	1	YE01167100000								
6	FU	Fuse	YINDA	FS-10	2A	1	YE41001000000								
7	S1 S2	Control switch	DONGSHENG	APBB-22N(指示灯220VAC)	600V 10A	1	YE11221000000								
8	S3	Safety switch	SCHMERSRC	AZ15ZVRK-1476-1+B1	230VAC	1	YE16147600100								
9	X1	Terminal	HONEYWELL	2.5mm ²	SK2.5MM ²	8	YEG00025032000								
10			HONEYWELL	2.5mm ² PE	GR2.5MM ² PE	2	YEG00025034000								
11	M1	Motor	--	4KW	400V 50/60Hz	1	--	(1)							
12	T	Transformer	BALIYUN	IN=400V OUT=220VAC	350VA	1	YE70402300200								
13	B2	Buzzer	KPE	PF-35A	220VAC	1	YES40035000000								
Notes: (1)Means it's not the material inside the control box.															
		Drawer		Version		Drawing No.		Scale		Page		Total		Pages	
				0		SVM-150-EB-CE-0-3		CE		3		3		3	
		Designed by		Approved by		Title		Standard		Voltage		Frequency		Frequency	
						Electrical Components List		SVM-150-EB-CE-0-3		3/PE/400V		50/60Hz		50/60Hz	
		Proofread by		Date		SHINI		SHINI 信易电热机械股份有限公司 Shini Plastics Technologies, Inc.							
		Checked by													
		Modify date													
		Modified by													
		After modification													
		Before modification													

2.3.11 Electrical Components Layout (SVM-200U-EB)



Picture 2-9: Electrical Components Layout (SVM-200U-EB)

2.3.13 Timer



Picture 2-10: Timer

Function Description:

- 1 Adjusting scale.
- 2 Choose sec/min/hrs/10h as a time unit by turning this button.
- 3 Set the time-rate by just turning this button.

3. Installation and Debugging

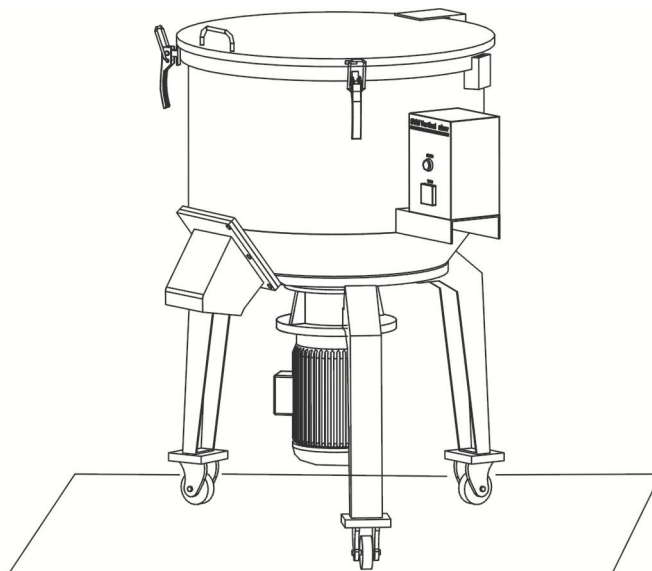
Before installation, read this chapter carefully. Install the machine according to following steps!



Power supply of the mixer should be connected by qualified electricians!

3.1 Install the Machine on a Water-level Floor

Place vertical batch mixer on the flat ground, and connect to the three-phase power. Switch the main power switch to the “ON” state, and press the green start button on the control panel. Detect whether the direction of motor operation is the same as arrow. If not, please exchange the position of two live wire.



Picture 3-1: Install the Machine on a Water-level Floor

Vertical batch mixer should be placed on a water-level floor with castors locked, ensuring the machine well-balanced and no vibration.

3.2 Installation Space

Keep at least 500mm space around the machine when installing it. As the following figure shows: Do not install the machine in a narrow space, because this will make it uneasy to repair or maintenance. Do not sit on the top of the machine or place any inflammable objects around the machine.



Picture 3-2: Installation Space

3.3 Installation of Motor

Do not enforce any force on the output parts of decelerate motor or case. Please meet the machine and gear motor's respective requirement for concentricity or verticality.

3.4 Installation of Blending Vanes

Please meet the blending screw and gear motor's respective requirement for concentricity or verticality when install the machine.

3.5 Power Connection

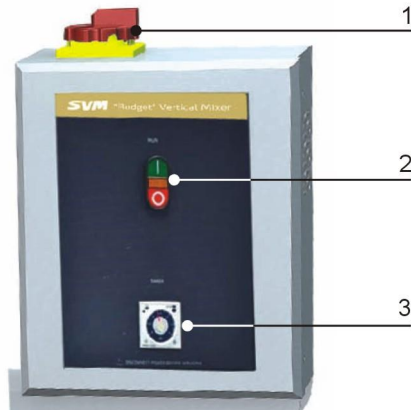
Connect the control box of the vertical batch mixer to power line and earth wire as indicated by the nameplate. Usually adopts 3 Φ 400V power supply and it can be also made on customer's special demand.



Check the motor's running direction after connects to power, if it is running reversely, please cut off the power and transpose any two lines of the three lines from the main power.(warning: reverse running is not allowed when the machine is in operation otherwise it will cause obstruction and lead to motor damage)

4. Application and Operation

4.1 Description of Control Panel



Picture 4-1: Description of Control Panel

4.2 Control Panel Description

No.	Name	Function Description	Remarks
1	Main power	Main power switch of the control system.	
2	System run	Start/stop of blending motor.	Red for stop and green for start.
3	Auto-timer	Timer for auto-stop after set material blending time.	When system is turned on, use the timer to set motor blending time after which the machine will stop working automatically.

4.3 Start / Stop of the Machine

- 1) Check power supply is turned on.
- 2) Turn on the main switch on control panel.
- 3) Press the green button to start material blending.
- 4) Use the red button to stop the machine, and main power switch to cut off power supply.

4.4 Operation Guide

- 1) Open blending barrel lid, fill in materials.

Note: material level should not higher than the top opening of the cylinder.

- 2) Close blending barrel lid, plug in safety switch and fasten the snap hook.

Note: tightly close the blending barrel lid to secure safety switch, or the machine cannot be started.

- 3) Turn on main power switch on the control panel.

- 4) Press the green button on control panel to start the machine.

- 5) Turn the adjusting scale of the timer if needed to set material blending time.

The machine will stop working automatically after set time.

- 6) Press the stop button to stop material mixing after the material is evenly mixed if the timer is not set for automatic stop.

4.5 Material Cleaning Method

Use a velvet cleaning cloth to remove material in the mixing tank, leaving remaining material discharged from hopper.

5. Trouble-shooting

Failures	Solutions
<p>After turning on main power and pressing down green system run button, the indicator cannot turn bright, motor does not work.</p>	<p>Check the electrical circuit, the reasons may be:</p> <ol style="list-style-type: none"> 1. Electrical wire break. 2. Fuse melted 3. The shut-off plate for Blending barrel lid not closed or safety switch not fully connected. 4. Material blending time is set to 0. If motor can work, but indicator cannot turn bright, it shows that the indicator is broken. If indicator turns bright, but motor can not work, this may caused by motor failures or solenoid valve problems.
<p>Machine cannot stop after setting time.</p>	<p>Check the electrical circuit, the reasons may be:</p> <ol style="list-style-type: none"> 1. The timer is broken. 2. Electrical wire problems.
<p>Overload relay frequently tripping off.</p>	<p>Check the electrical circuit, the reason can be:</p> <ol style="list-style-type: none"> 1. Adjust overload relay setting current 1.1 times of motor rated current. 2. Wires of solenoid valve short circuit or break. 3. Overload relay is burnt out. 4. Motor problems. 5. Motor runs reversely.
<p>Cannot stop the working of material blending by pressing the stop button.</p>	<p>The contact of stop button may be stuck together. If so, please replace the stop button.</p>
<p>Materials can not be well mixed, although no problems with machine start and stop function.</p>	<p>Material mixing time not enough, increase material mixing time.</p>

6. Maintenance and Repair

6.1 Service

All the repair work should be done by qualified technicians to prevent personal injuries and damage of the machine.

6.2 Maintenance

6.2.1 Maintenance of Blending Motor

Replace the lubricating oil of the gear motor after first 400 hours running. After that, replace the lubricating oil at about every 4000 hours. Check on times that there's enough lubricant in the gear box. Add or replace the lubricant before oil used up or when oil is turned bad. Keep motor and gear box covers clean from dusts or dirt's for quick cooling.

6.2.2 Maintenance of Blending Barrel and Blending Screw

Disassemble blending barrel lid, motor, blending screw, and control box; use a piece of soft cloth to clean blending barrel from material remains.



Note!

Turn off the main switch and control switch before repairing or maintenance.

6.3 Maintenance Schedule

6.3.1 About the Machine

Model _____ SN _____ Manufacture date _____

Voltage _____ Φ _____ V Frequency _____ Hz Power _____ kW

6.3.2 Check after Installation

- Check the machine is installed on a water-level floor.
- Check the installation of the motor.
- Check the safety switch of blending barrel.

Electrical Installation

- Power supply: _____ V _____ Hz
- Fuse melt current: 1 Φ _____ A 3 Φ _____ A
- Check the electrical wire connections of the control.

6.3.3 Daily Checking

- / /
- Check the main power switch
 - Check system start button
 - Check the safety switch

- / /
- Check the main power switch
 - Check system start button
 - Check the safety switch

- / /
- Check the main power switch
 - Check system start button
 - Check the safety switch

- / /
- Check the main power switch
 - Check system start button
 - Check the safety switch

- / /
- Check the main power switch
 - Check system start button
 - Check the safety switch

- / /
- Check the main power switch
 - Check system start button
 - Check the safety switch

- / /
- Check the main power switch
 - Check system start button
 - Check the safety switch

- / /
- Check the main power switch
 - Check system start button
 - Check the safety switch

- / /
- Check the main power switch
 - Check system start button
 - Check the safety switch

- / /
- Check the main power switch
 - Check system start button
 - Check the safety switch

- / /
- Check the main power switch
 - Check system start button
 - Check the safety switch

- / /
- Check the main power switch
 - Check system start button
 - Check the safety switch

- / /
- Check the main power switch
 - Check system start button
 - Check the safety switch

- / /
- Check the main power switch
 - Check system start button
 - Check the safety switch

- / /
- Check the main power switch
 - Check system start button
 - Check the safety switch

- / /
- Check the main power switch
 - Check system start button
 - Check the safety switch

6.3.4 Weekly Checking

- / /
 Check all the electrical wires
 Check motor overload protection function

- / /
 Check all the electrical wires
 Check motor overload protection function

- / /
 Check all the electrical wires
 Check motor overload protection function

- / /
 Check all the electrical wires
 Check motor overload protection function

- / /
 Check all the electrical wires
 Check motor overload protection function

- / /
 Check all the electrical wires
 Check motor overload protection function

- / /
 Check all the electrical wires
 Check motor overload protection function

- / /
 Check all the electrical wires
 Check motor overload protection function

- / /
 Check all the electrical wires
 Check motor overload protection function

- / /
 Check all the electrical wires
 Check motor overload protection function

6.3.5 Monthly Checking

Replace the lubricating oil of the gear motor after first 400 hours running. After that, replace the lubricating oil at about every 4000 hours. Check on times that there's enough lubricant in the gear box. Add or replace the lubricant before oil is used up or when the oil is turned bad.