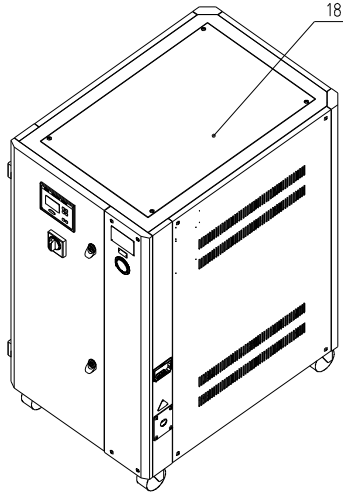
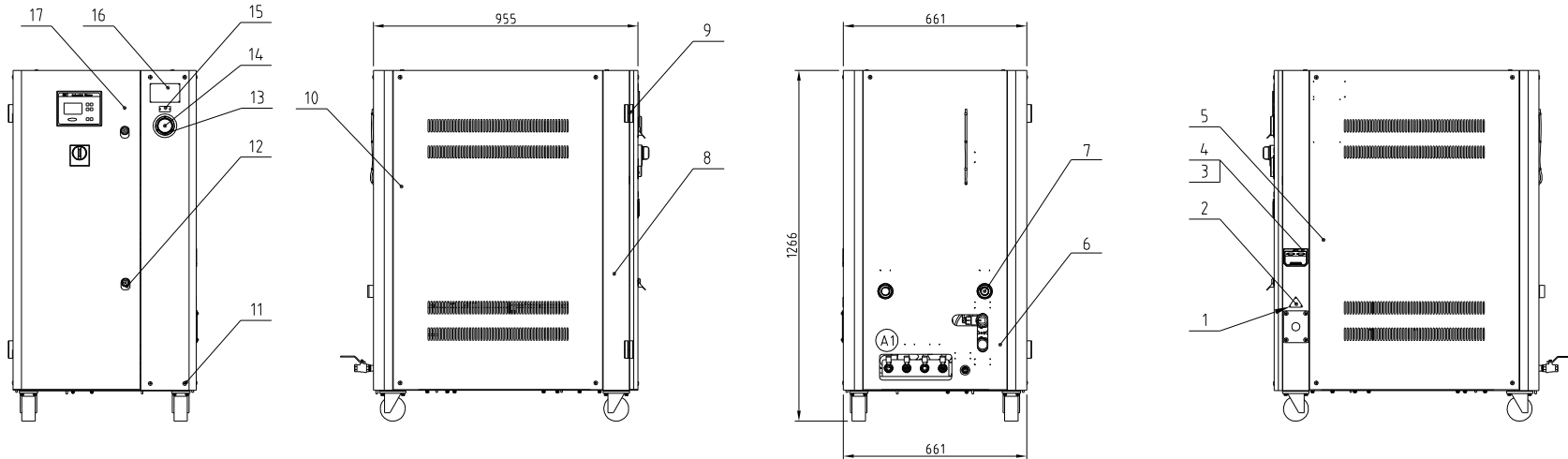


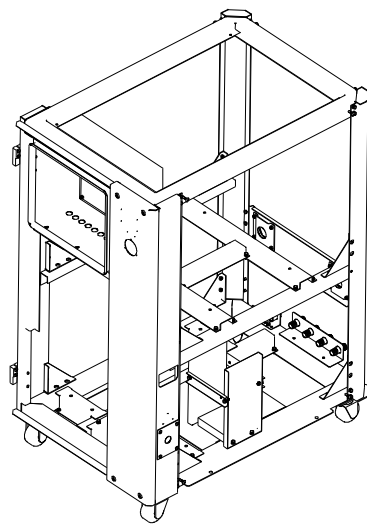
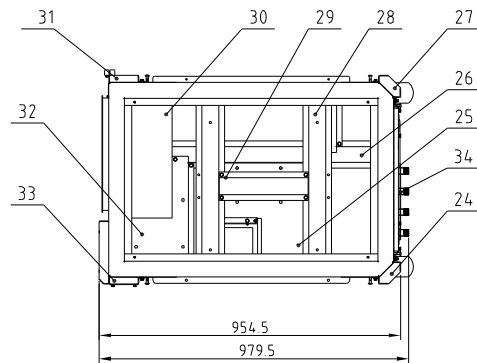
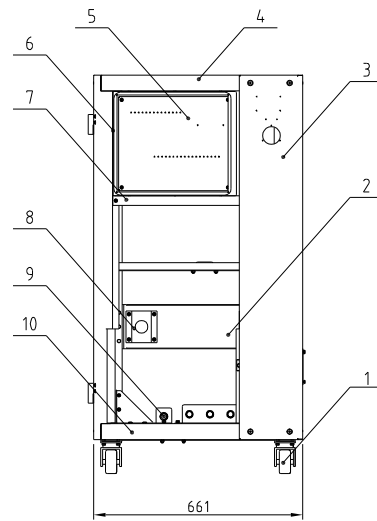
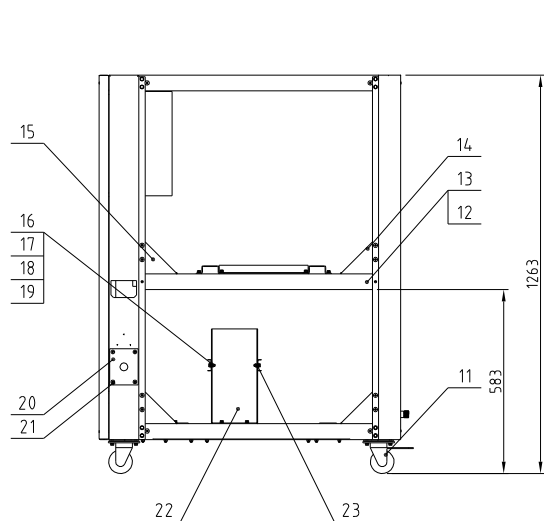
Cooling Capacity (outlet temperature 75℃/kW)	Cooling Capacity (outlet temperature 105℃/kW)	Cooling Capacity (outlet temperature 135℃/kW)	Total power (middle/high pressure)	Cooling water inlet (inch)	Cooling water outlet (inch)	Chilled water inlet (inch)	Chilled water outlet (inch)	Drain port (inch)	Water tank refill port (inch)	Cooling water flow (L/min)	Chilled water flow (L/min)	Water tank capacity (L)	Weight (kg)	Ver.
16kw	17kw	20kw	6.23/6.63kw	Rc1.5	Rc1.5	Rc1	Rc1	Rc1/2	Rc1/2	70.1	56	80	250	A



18	SIC-17W-R2-ALL-05	Top plate	SPCC1.5	1	Borrowed
17	SIC-17W-R2-ALL-01	Front door plank	SPCC1.5	1	Borrowed
16	YP30804900700	Aluminum plate nameplate 80 × 69	2024	1	
15	YP30425000000	Pump pressure gauge (aluminum plate label)	2024	1	
14	YW85001000100	Water pressure gauge 0-10KG	2024	1	
13	SIC-17W-R2-P-C-ALL-01	Refrigerant system (230V)	Assembly	1	
12	YW00816100000	Door lock (MS16-1 blk. with key)	Assembly	1	
11	YW62063500000	Large cross socket flat head screw JS1111 M6x35	2024	18	
10	SIC-17W-R2-ALL-02	Left side plate	SPCC1.5	1	Borrowed
9	YW062031004.00	Hinge left	Assembly	2	
8	SIC-17W-R2-A-ALL	Rack	Assembly	1	Borrowed
7	SIC-17W-R2-P-B-ALL	Water system	Assembly	1	
6	SIC-17W-R2-ALL-04	Rear plate	SPCC1.5	1	Borrowed
5	SIC-17W-R2-ALL-03	Right side plate	SPCC1.5	1	Borrowed
4	YR40048500000	Shell RS485	Assembly	1	
3	YE90048501200	Communication interface board RS-485	Assembly	1	
2	YP31051650000	Triangle power supply 3-phase 400V	2024	1	
1	YW69020500000	Rivet GB/T 827 2x5		18	

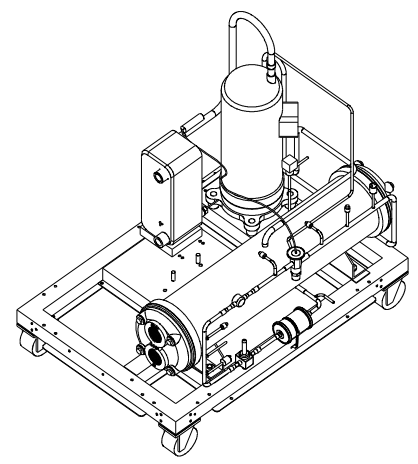
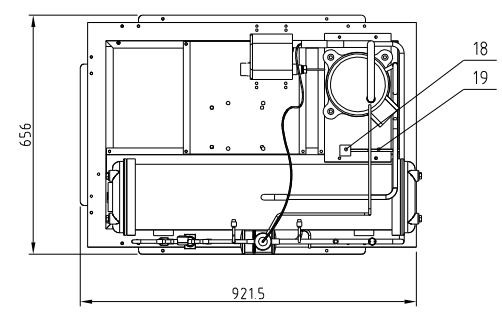
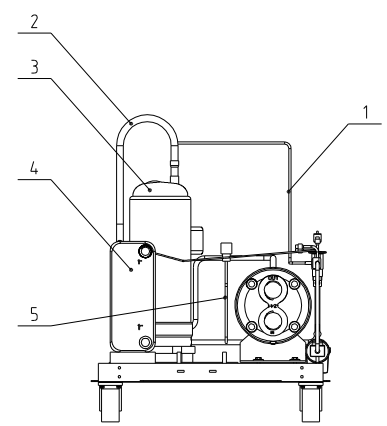
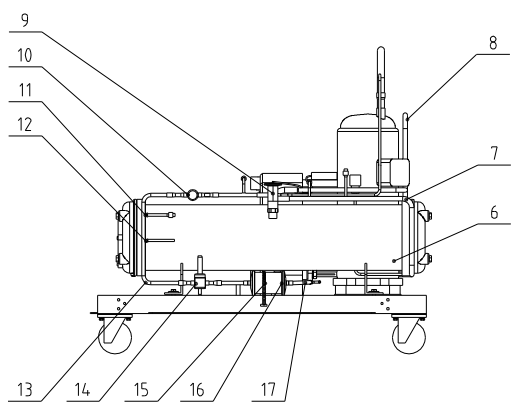
序号	代号	名称	材质	数量	备注
		标题 SIC-17W-R2-P 总装图 (230V)		比例 1:16	数量 1
		图号 SIC-17W-R2-P-ALL-01		材质	Assembly
		SHINI 信易电热机械股份有限公司 Shini Plastics Technologies, Inc.	表面要求		/
			物料号		/

					制图		版号	A
					设计		核准	
(A1)	外购件	自制件		20231009	校对		审核	
标记	更改前	更改后	更改人	日期	审核		日期	20230921



34	SIC-33A-R2-A-38	Drainage fixed plate combination	SPCC2.0	1	Borrowed
33	SIC-17W-R2-A-03	Right front pillar	SPCC2.0	1	
32	SIC-17W-R2-A-19	Compressor base plate	SPCC2.0	1	
31	SIC-17W-R2-A-02	Left front pillar	SPCC2.0	1	
30	SIC-17W-R2-A-18	Condenser support beam	SPCC2.0	2	
29	SIC-17W-R2-A-14	Water tank support beam 2	SPCC2.0	1	
28	SIC-17W-R2-A-13	Water tank support beam 1	SPCC2.0	2	
27	SIC-17W-R2-A-04	Left rear pillar	SPCC2.0	1	
26	SIC-17W-R2-A-17	Bottom middle crossbeam	SPCC2.0	1	
25	SIC-17W-R2-A-20	Water pump bottom plate	SPCC2.0	1	
24	SIC-17W-R2-A-05	Right rear pillar	SPCC2.0	1	
23	SIC-17W-R2-A-22	Plate replacement fixing bracket 2	SPCC2.0	2	
22	SIC-17W-R2-A-21	Plate replacement fixing bracket 1	SPCC2.0	2	
21	YW62051000100	Large cross socket flat head screw JIS1115M5x10	4.8	12	
20	BL50160000120	Wire clamp fixed plate	SPCC2.0	1	
19	YW60062000100	Hex bolt GB/T5781 M6x20	4.8	124	
18	YW65006000100	Standard spring washer GB/T93.6	Mn65	124	
17	YW66061300000	Flat washer A grade GB/T97.1.6	14.0hv	150	
16	YW64.000600300	Hexagon nut GB/T6170 M6	5.0	164	
15	BL08112000020	Triangle plate (left) SIC-003	SPCC2.0	5	
14	BL08102100020	Triangle plate (right) SIC-004	SPCC2.0	5	
13	SIC-17W-R2-A-11	Left middle crossbeam	SPCC2.0	1	
12	SIC-17W-R2-A-12	Right middle crossbeam	SPCC2.0	1	
11	YW03000300000	Brake black rubber wheel 3"PP	SPCC2.0	2	
10	SIC-17W-R2-A-09	Bottom frame	SPCC2.0	1	
9	SIC-33A-R2-A-39	Fixed plate for water refilling pipe	SPCC2.0	1	Borrowed
8	SIC-17W-R2-A-16	Fixed plate for inlet and outlet water pipes	SPCC2.0	2	
7	SIC-17W-R2-A-08	Front middle crossbeam	SPCC2.0	1	
6	SIC-17W-R2-A-06	Control box	SPCC2.0	1	
5	SIC-17W-R2-A-07	Electrical base plate	SECC15	1	
4	SIC-17W-R2-A-10	Top frame	SPCC2.0	1	
3	SIC-17W-R2-A-01	Meter plate	SPCC2.0	1	
2	SIC-17W-R2-A-15	Fixed crossbeam for inlet and outlet water pipes	SPCC2.0	1	
1	YW03000300200	Activity black rubber wheel 3"PP	Assembly	2	

序号	代号	名称	材质	数量	备注
②	998	979.5	20230919	制图	版号 D
①	无	新增	20230919	设计	核准
标记	更改前	更改后	更改人	日期	审核
				日期	20190815
标题 SIC-17W-R2		图号 SIC-17W-R2-A-ALL		比例 1:15	数量 1
机架				材质	Assembly
SHINI 信易电热机械股份有限公司 Shini Plastics Technologies, Inc.				表面要求	/
				物料号	/

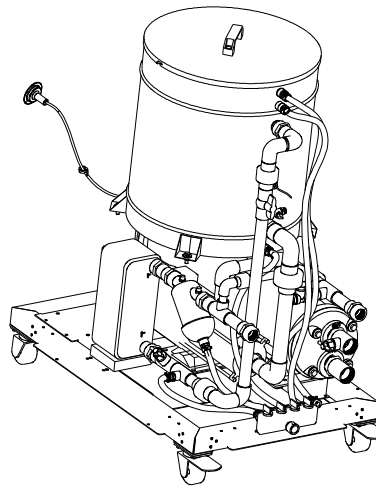
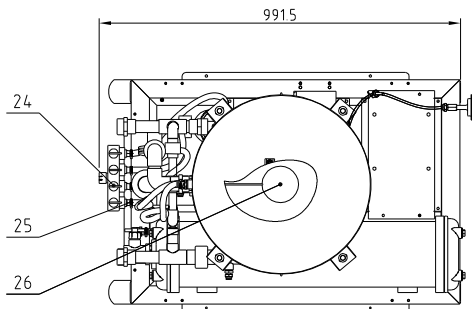
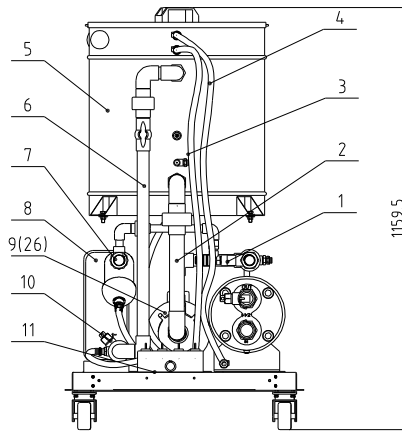
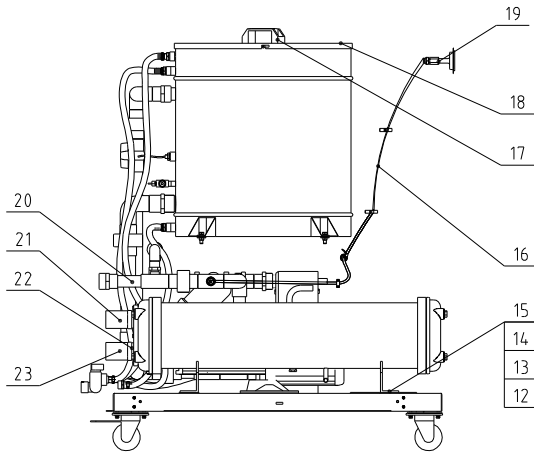


19	SIC-17W-R2-C-09	bypass valve pipe 2	TP2M	1	Borrowed
18	YE900324.02100	Bypass solenoid valve FDF-3A	Assembly	1	
17	SIC-17W-R2-C-07	Liquid pipe 3	TP2M	1	Borrowed
16	YW85016530100	Dry filter	Assembly	1	
15	YW020004.00000	Steel wire hose 4"	Assembly	1	
14	YE32200305600	Liquid pipe solenoid valve	Assembly	1	Option
13	SIC-17W-R2-C-05	Liquid pipe 1	TP2M	1	Borrowed
12	SIC-17W-R2-C-11	Copper pipe connector	TP2M	1	Borrowed
11	YW850104.00300	Top needle valve for liquid addition	Assembly	4	
10	YW85001300100	Sight glass HMI-1TT3	Assembly	1	Option
9	YW854.138000000	Expansion valve BAE4-1/2	Assembly	1	
8	SIC-17W-R2-C-04	Air exhaust pipe	TP2M	1	Borrowed
7	SIC-17W-R2-C-06	Liquid pipe 2	TP2M	1	Borrowed
6	SIC-17W-R2-C-02	Condenser	Assembly	1	Borrowed
5	SIC-17W-R2-C-08	bypass valve pipe 1	TP2M	1	Borrowed
4	SIC-17W-R2-C-01	Plate evaporator	Assembly	1	Borrowed
3	YM70050500000	Compressor E504DH	Assembly	1	230V60Hz
2	SIC-17W-R2-C-03	Return air pipe	TP2M	1	Borrowed
1	SIC-17W-R2-C-10	Equalizer line	TP2M	1	Borrowed
序号	代号	名称	材质	数量	备注

					制图	版号	0
					设计	核准	
					校对		
标记	更改前	更改后	更改人	日期	审核	日期	20230921

标题	SIC-17W-R2-P	图号	SIC-17W-R2-P-C-ALL-01	比例	1:13	数量	1
	冷媒系统(230V)					材质	Assembly
				表面要求			/
				物料号			/



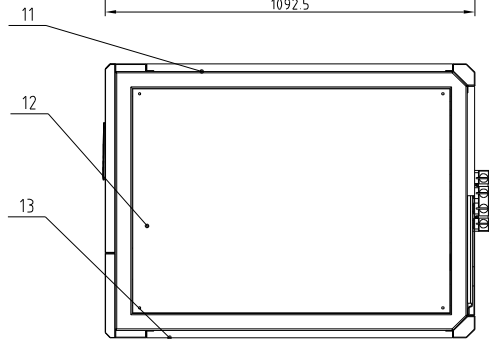
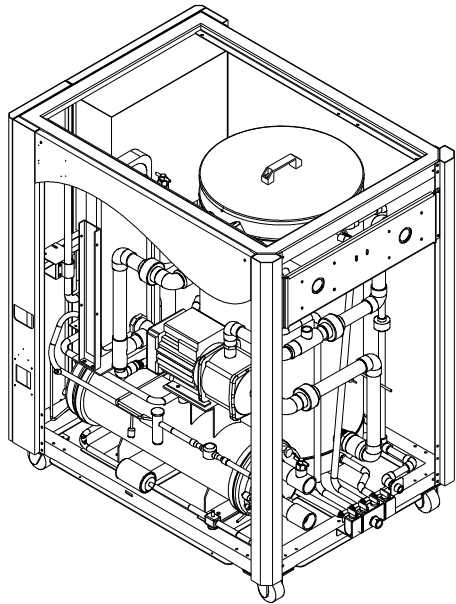
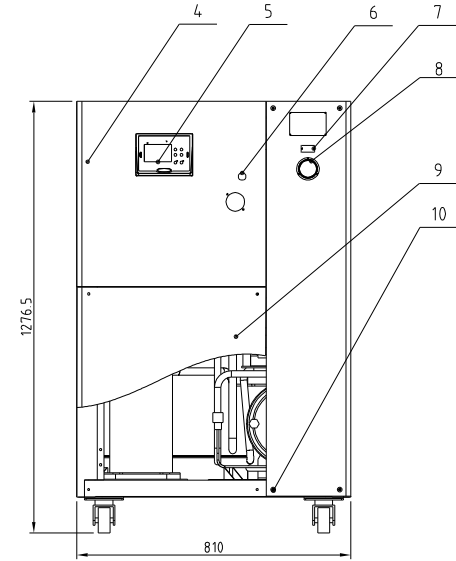
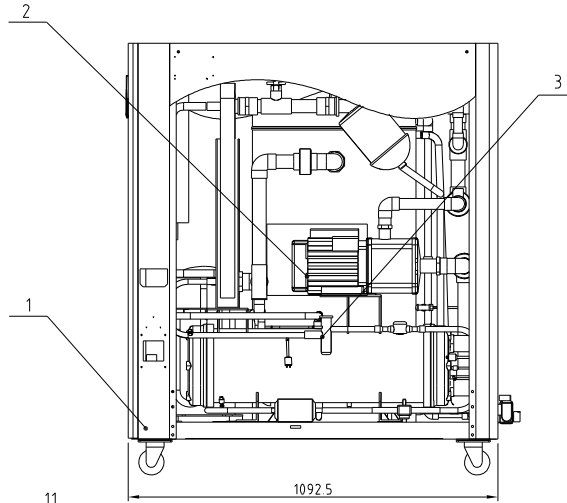
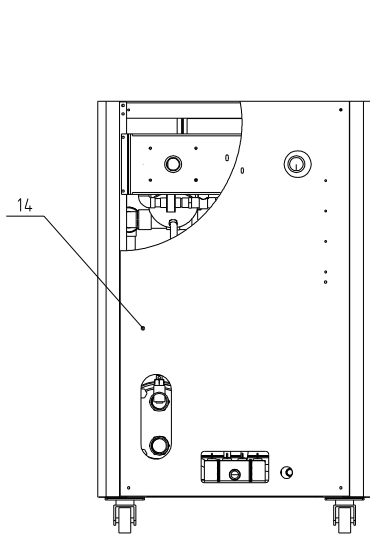


27	YM214.40300900	Nanyuan water pump SHF4-40	Assembly	1	High voltage usage
26	YW59010200000	Ball switch 1/2"	Assembly	1	
25	YW02182900000	Stainless steel clamp (18-29)	Assembly	8	
24	YW50001200300	Four in one ball valve collector 1/2"	Assembly	1	
23	YW500015014.00	Galvanized internal thread straight through 1-1/2"	Q235A	1	
22	YW50001500100	Internal connection of water pipe 1-1/2" (external thread)	Q235A	2	
21	YW59010200000	Galvanized water pipe three-way 1-1/2" X 3/4"	Q235A	1	
20	SIC-17W-R2-B-05	Water outlet pipe combination	Assembly	1	Borrowed
19	YW85001000100	Water pressure gauge	Assembly	1	
18	BW2001200004.0	Square aluminum handle 120L	Assembly	1	
17	SIC-17W-R2-B-08	Water tank cover	Assembly	1	Borrowed
16	YR60620000100	transparent air pipe (200/m/roll)	Assembly	2M	
15	YW60082500100	Hex bolt GB/T5783 M8x25		8	
14	YW65008000100	Standard spring washer GB/T93.8	Mn65	8	
13	YW66082200100	Large washer C grade GB/T96.8	14.0Hv	16	
12	YW64080600000	Hex nut GB/T6170 M8	S.0	8	
11	YW020004.00000	Stainless steel clamp 4"	Assembly	2	
10	YW8504.3600000	Flow switch SEN-BP43W	Assembly	2	
9	YM214.30300200	Nanyuan water pump SHF4-30	Assembly	1	Medium voltage usage
8	SIC-17W-R2-C-01	Plate evaporator	Assembly	1	Borrowed
7	SIC-17W-R2-B-02	Combination of return water pipes	PVC-U	1	Borrowed
6	SIC-17W-R2-B-03	Plate exchange water outlet pipe combination	PVC-U	1	Borrowed
5	SIC-17W-R2-B-07	Water tank	PVC-U	1	Borrowed
4	SIC-17W-R2-B-06	Combination of water replenishment pipes	PVC-U	1	Borrowed
3	YR60051000000	Steel wire hose 1/2"	Assembly	3M	
2	SIC-17W-R2-P-B-02	Combination of water pump suction pipe	PVC-U	1	
1	SIC-17W-R2-B-08	Water outlet pipe bypass combination	Assembly	1	Borrowed

制图	版号	0	标题	SIC-17W-R2-P	图号	SIC-17W-R2-P-B-ALL	比例	1:13	数量	1
设计	核准		水系统				材质 Assembly			
校对	审核							表面要求	/	
标记	更改前	更改后	更改人	日期	审核	日期	20230921	物料号	/	



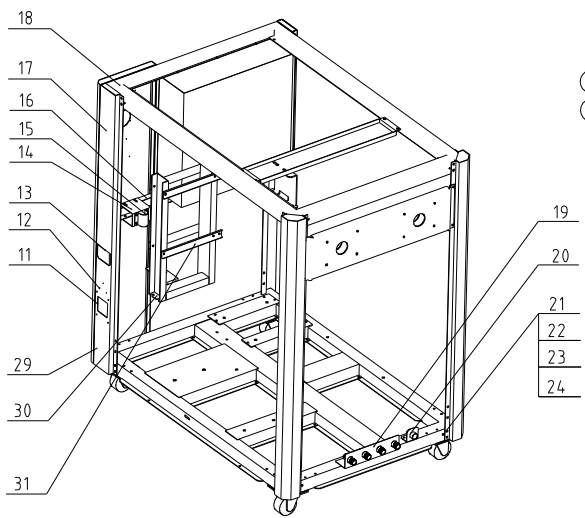
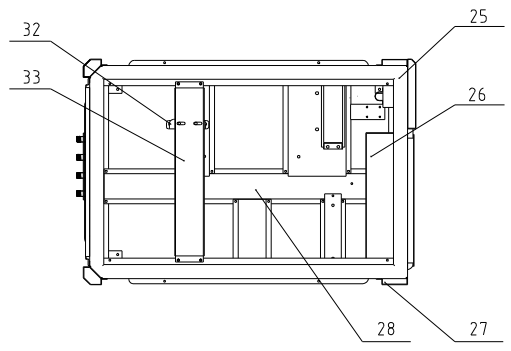
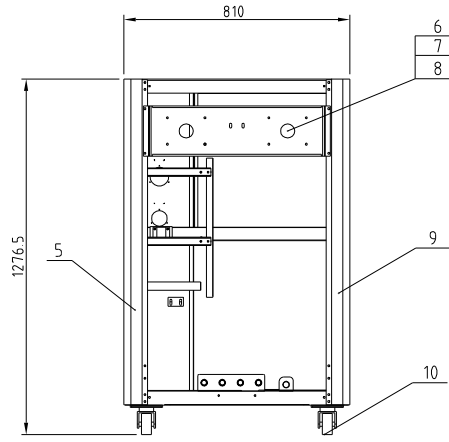
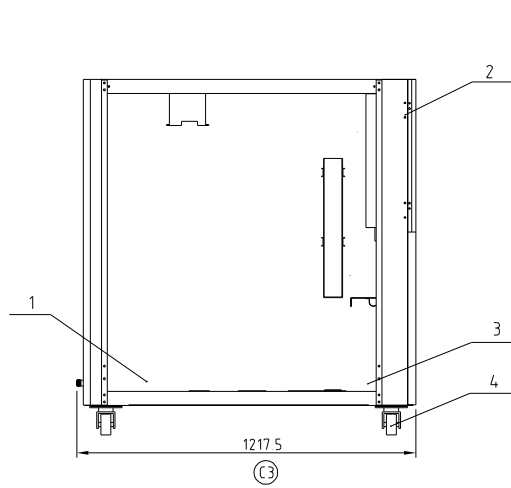
Cooling Capacity (outlet temperature 70℉/W)	Cooling Capacity (outlet temperature 100℉/W)	Cooling Capacity (outlet temperature 150℉/W)	Total power (middle/high pressure)	Cooling water inlet (inch)	Cooling water outlet (inch)	Chilled water inlet (inch)	Chilled water outlet (inch)	Drain port (inch)	Water tank refill port (inch)	Cooling water flow (L/min)	Chilled water flow (L/min)	Water tank capacity (L)	Weight (kg)	Ver.
28kw	31kw	33kw	7.4/8/17kw	Rc1.25	Rc1.25	Rc1.25	Rc1.25	Rc1/2	Rc1/2	120.5	95.6	150	330	A



14	SIC-38W-R2-ALL-04	Rear plate	SPCC15	1	Borrowed
13	SIC-38W-R2-ALL-03	Right side plate	SPCC15	1	Borrowed
12	SIC-38W-R2-ALL-05	Top plate	SPCC15	1	Borrowed
11	SIC-38W-R2-ALL-02	Left side plate	SPCC15	1	Borrowed
10	YW62063500000	Flat head screw M6x35	4.8	20	
9	SIC-38W-R2-ALL-06	Front lower door plank	SPCC15	1	Borrowed
8	YW63030600000	Cross socket screw M3x6	4.8	3	
7	YW69020500000	Rivet 2x5	4.8	13	
6	YW00816100000	Door lock	Assembly	1	
5	YE80317506700	Water chiller controller	Assembly	1	
4	SIC-38W-R2-ALL-01	Front upper door plank	SPCC15	1	Borrowed
3	SIC-29W-R2-C-ALL	Refrigerant system	Assembly	1	Borrowed
2	SIC-29W-R2-P-B-ALL	Water system	Assembly	1	
1	SIC-29W-R2-A-ALL	Rack assembly	Assembly	1	Borrowed

制图	版号	0	标题	SIC-29W-R2-P	图号	SIC-29W-R2-P-ALL	比例	1:14	数量	1
设计	核准		总装图				表面要求			
校对	核准						物料号			
标记	更改前	更改后	更改人	日期	审核	日期	20230227			



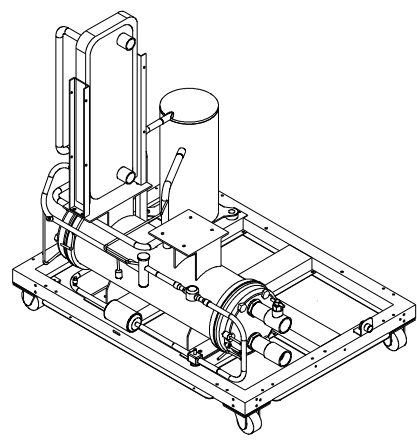
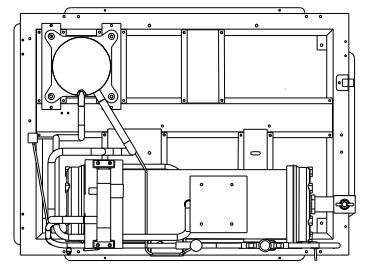
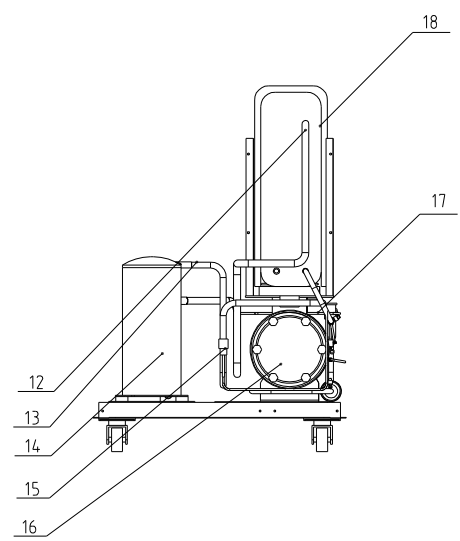
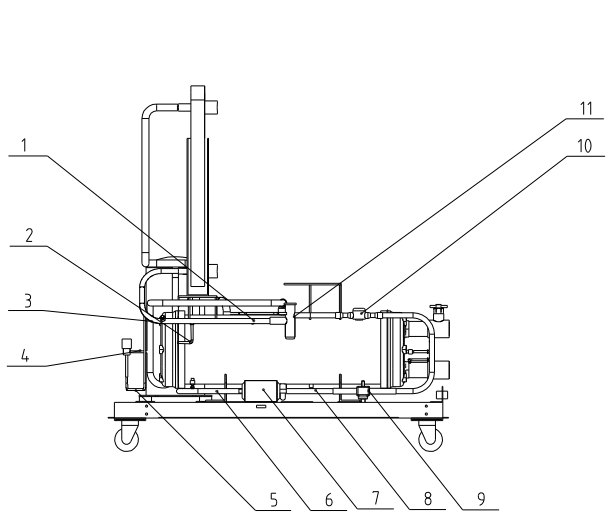


33	SIC-38W-R2-A-11	Filter fixing crossbeam	SPCC2.0	1	Borrowed
32	SIC-29W-R2-A-08	Filter fixing block	SPCC3.0	1	
31	SIC-33A-R2-A-18	Plate exchange fixed piece	SPCC2.0	4	Borrowed
30	SIC-33A-R2-A-17	Plate exchange fixing plate	SPCC3.0	2	Borrowed
29	YW62051000100	Large cross socket flat head screw M5x10	4.8	6	
28	SIC-29W-R2-A-ALL-01	Bottom frame combination	Assembly	1	
27	SIC-38W-R2-A-02	Left front pillar	SPCC2.0	1	Borrowed
26	SIC-38W-R2-A-06	Control box	SPCC2.0	1	Borrowed
25	SIC-38W-R2-A-01	Meter plate	SPCC2.0	1	Borrowed
24	YW64000600300	Hex nut M6	5.0	4.6	
23	YW65006000100	Spring washer GB/T93.6	65Mn	90	
22	YW66061300000	Flat washer A grade GB/T93.6	14.0HV	90	
21	YW60062000100	Hex bolt M6x20	4.8	90	
20	SIC-33A-R2-A-39	Fixed plate for water refilling pipe	SPCC2.0	1	Borrowed
19	SIC-33A-R2-A-38	Drainage fixed plate combination	SPCC2.0	1	Borrowed
18	SIC-38W-R2-A-10	Top frame	SPCC2.0	1	Borrowed
17	SIC-38W-R2-A-03	Right front pillar	SPCC2.0	1	Borrowed
16	SIC-38W-R2-A-08	Front middle crossbeam	SPCC3.0	1	Borrowed
15	SIC-29W-R2-A-07	Air pipe clamp	SPCC2.0	1	
14	SIC-29W-R2-A-08	Fixed clamp support for the return air pipe	SPCC2.0	1	
13	YE90048501200	Communication interface board RS-485	Assembly	1	
12	YP31051650000	Triangle power supply 3-phase 400v	Assembly	1	
11	SG-S-01	Wire clamp fixing plate M32	SPCC2.0	1	
10	YW03000300200	Black rubber wheel 3 inches/movable	Assembly	2	
9	SIC-38W-R2-A-04	Left rear pillar	SPCC2.0	1	Borrowed
8	SIC-29W-R2-A-03	Fixed block folding plate for inlet and outlet water pipes	SPCC2.0	2	Borrowed
7	SIC-29W-R2-A-04	Fixed beam for inlet and outlet water pipes	SPCC3.0	1	Borrowed
6	SIC-38W-R2-A-15-01	Fixed welding blocks for inlet and outlet water pipes	SPCC3.0	2	Borrowed
5	SIC-38W-R2-A-05	Right rear pillar	SPCC2.0	1	Borrowed
4	YW03000300000	Black rubber wheel 3 inches/brake applied	Assembly	2	
3	BL08102100020	Triangle plate (right) SIC-004	SPCC2.0	4	
2	YW062031004.00	Hinge large CL203-1 (left)	Assembly	2	
1	BL08112000020	Triangle plate (left) SIC-003	SPCC2.0	4	Borrowed

③	1192.5	1217.5	20230921	制图	版号	C
②	无	新增	20230921	设计	核准	
①	分水器固定板	Drainage fixed plate combination	20230921	校对	核准	
标记	更改前	更改后	更改人	日期	审核	日期 20190301

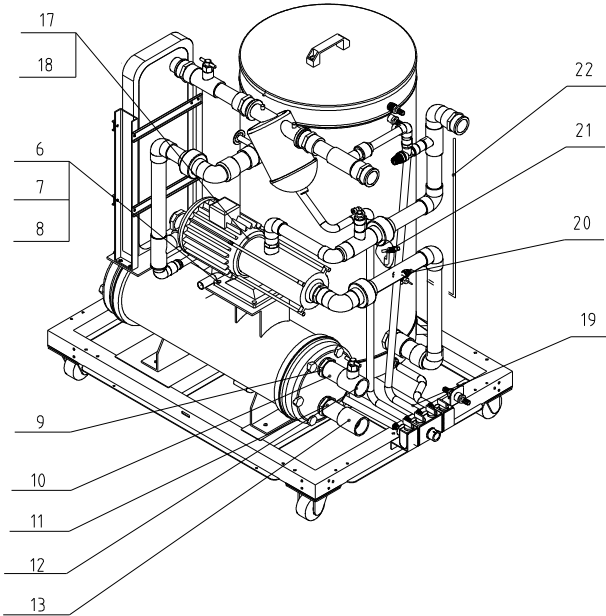
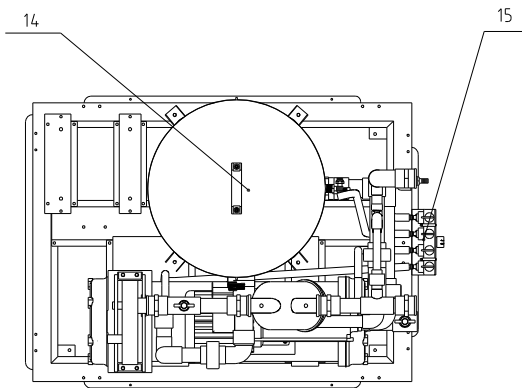
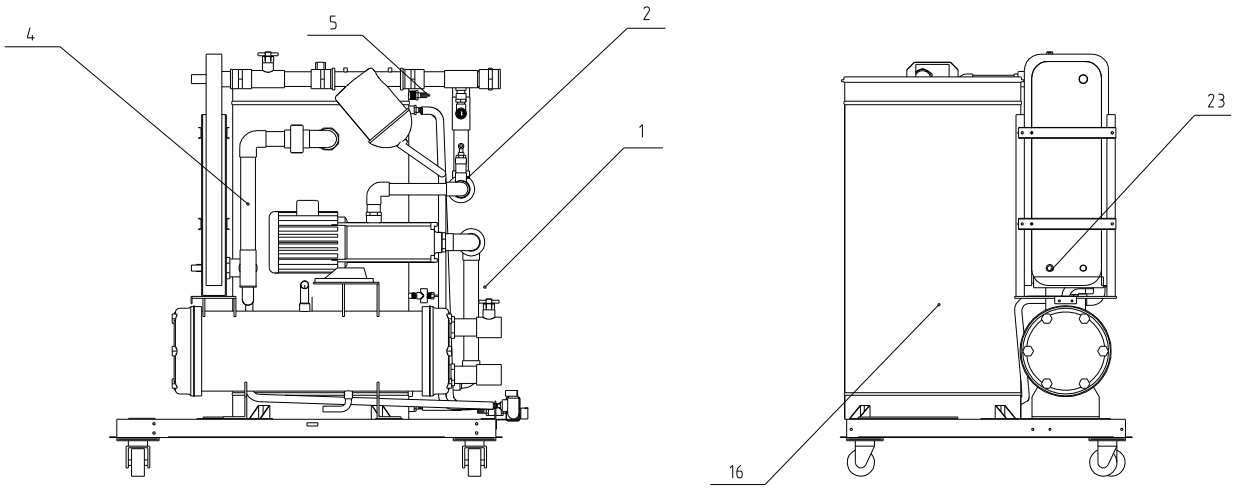
标题	SIC-29W-R2	图号	SIC-29W-R2-A-ALL	比例	1:17	数量	1
代号	机架组合	名称		材质	SPCC2.0	表面要求	/
物料号		物料号		物料号		物料号	/





18	SIC-28W-R2-C-01	Plate evaporator	Assembly	1	
17	YS30063500000	Equalizing tube	Assembly	1	
16	SIC-28W-R2-C-02	Condenser	Assembly	1	
15	YE90042402100	Hot-air by pass valve FDF-4A	Assembly	1	
14	YM70009000600	Compressor ZP91KCE-TFD	Assembly	1	
13	SIC-28W-R2-C-03	Air exhaust pipe	TP2M	1	
12	SIC-28W-R2-C-04	Return air pipe	TP2M	1	
11	YW85651200100	Expansion valve BAE6ZW1955FT	Assembly	1	
10	YW85001500100	Sight glass HMI-1TT5	Assembly	1	Option
9	YE90207506800	Liquid pipe solenoid valve Z08R0715T	Assembly	1	Option
8	SIC-29W-R2-C-06	Filter outlet pipe	TP2M	1	
7	YW85016500100	Dry filter EK 165S	Assembly	1	
6	SIC-28W-R2-C-05	Filter inlet pipe	TP2M	1	
5	YS30063500000	Bypass valve air outlet pipe	TP2M	1	
4	YS30063500000	Bypass valve air inlet pipe	TP2M	1	
3	SIC-29W-R2-C-07	Expansion valve outlet pipe	TP2M	1	
2	YS30063500000	Quick connector connecting pipe	TP2M	2	
1	YW85010400300	Top needle valve for liquid addition	Assembly	6	

制图	版号	0	标题	SIC-29W-R2	图号	SIC-29W-R2-C-ALL-01	比例	1:15	数量	1
设计	核准		冷媒系统 (230V)					材质	Assembly	
校对	审核			信易电热机械股份有限公司 Shini Plastics Technologies, Inc.			表面要求		/	
标记	更改前	更改后	更改人	日期	审核	日期	物料号		/	



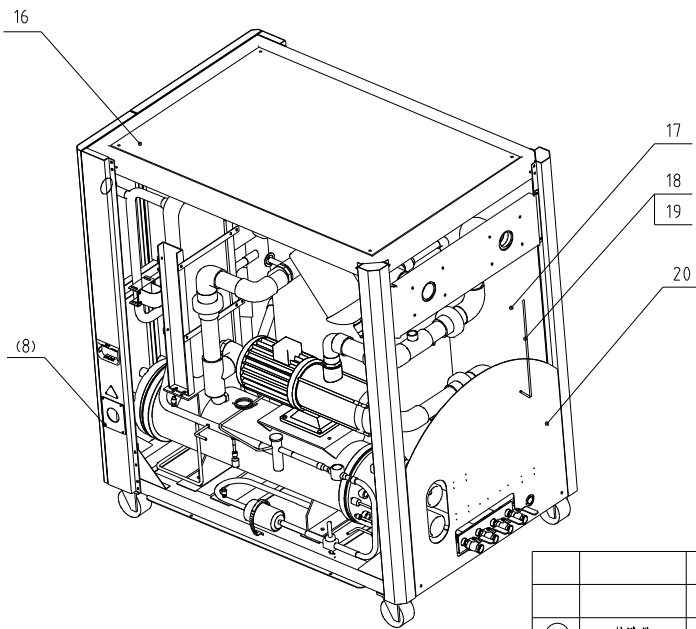
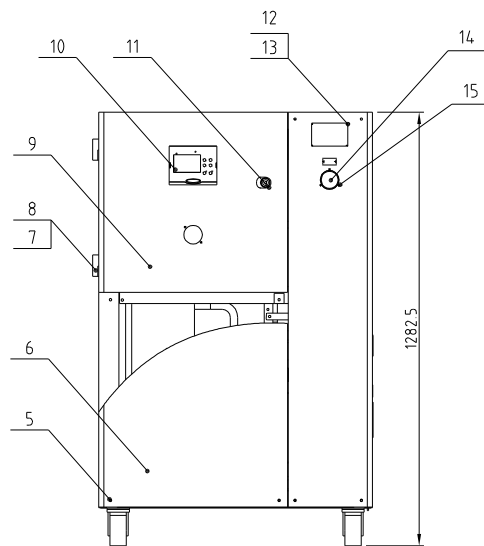
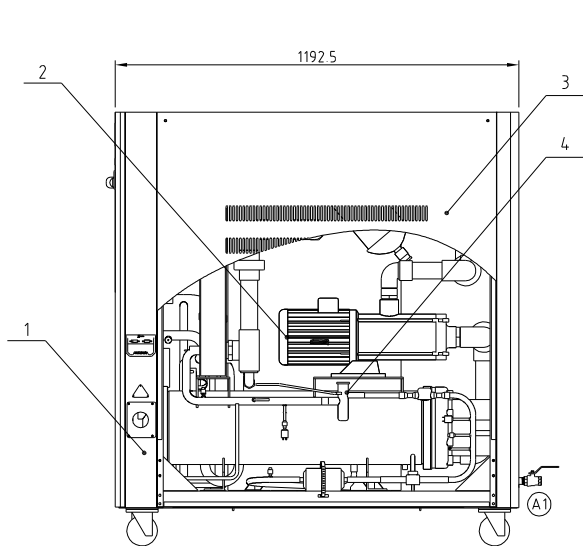
23	YE900014.00700	Anti-freeze temperature sensing line Φ4x26, 1/4" PT	Structure parts	1	
22	YR90000022000	Air conditioning black tie	Structure parts	4	
21	YE900016.00000	Side-mounted plastic duckbill type liquid level switch M16	Structure parts	1	Option
20	YE907110.00000	Water temperature probe Φ7x 110mm 1/8" PT	Structure parts	1	
19	YR600510.00000	Steel wire hose 1/2"	Assembly	2m	
18	YM214.50300700	Nanyuan water pump SHF4-50	Assembly	1	High voltage usage
17	YM214.40300900	Nanyuan water pump SHF4-40	Assembly	1	Medium voltage usage
16	SIC-57W-R2-B-07	Water tank	Assembly	1	Borrowed
15	YW50001200300	4-in-1 water collector 1/2 inch	Assembly	1	
14	BW20012000040	Aluminum square handle 120L (black)	Assembly	1	
13	YW510015.00000	Water pipe straight 15" (inner thread)	Q235A	1	
12	YW521534.00000	water pipe three-way 15"×3/4"	Q235A	1	
11	SIC-29W-R2-B-06	Condenser water inlet pipe	Q235A	1	Borrowed
10	SIC-29W-R2-B-07	Condenser water outlet pipe	Q235A	1	Borrowed
9	YW57150200000	Galvanized water pipe joints 15"×2"	Q235A	2	
8	YW60082000200	Hex bolt M8x20	8.8	16	
7	YW66081600000	Flat gasket (8.4×16×1.6)	14.0HV	16	
6	YW65008000100	Spring washer GB/T93.8		16	
5	SIC-29W-R2-B-08	Water outlet pipe bypass combination	Assembly	1	Borrowed
4	SIC-29W-R2-B-03	plate exchange water outlet pipe combination	Assembly	1	Borrowed
3	SIC-29W-R2-B-02	Plate exchange inlet pipe combination	Assembly	1	Borrowed
2	SIC-29W-R2-P-B-03	Combination of water pump outlet pipe	Assembly	1	
1	SIC-29W-R2-P-B-02	Combination of water pump inlet pipe	Assembly	1	

序号	代号	名称	材质	数量	备注
		制图			
		设计			
		校对			
标记	更改前	更改后	更改人	日期	审核
				版号	0
				标题	SIC-29W-R2-P
				图号	SIC-29W-R2-P-B-ALL
				比例	1:13
				数量	1
				材质	组合机
				表面要求	/
				物料号	/



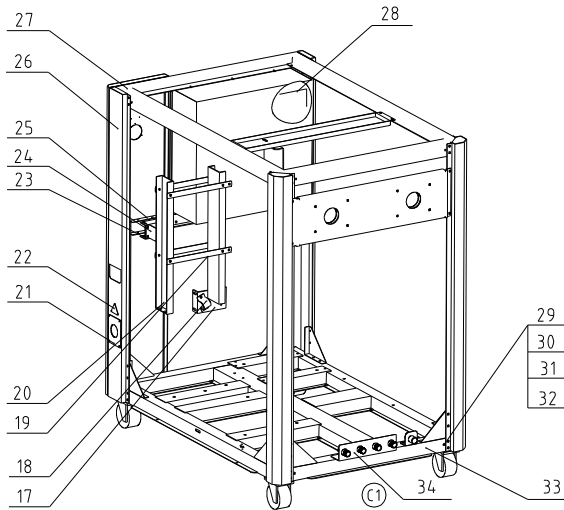
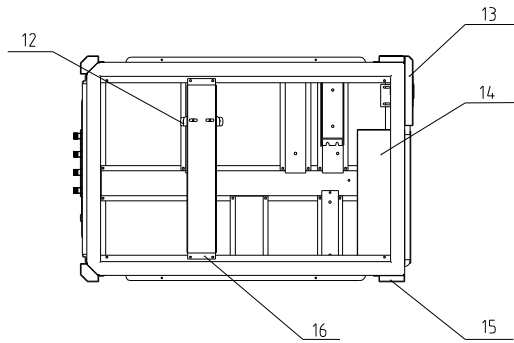
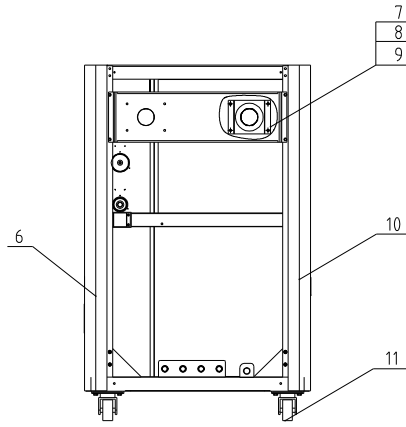
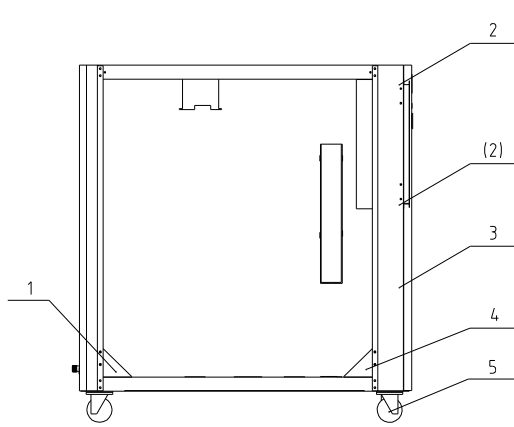
日期 20230227

Cooling Capacity (outlet temperature 75/10kWh)	Cooling Capacity (outlet temperature 10/10kWh)	Cooling Capacity (outlet temperature 75/10kWh)	Total power (middle/high pressure)	Cooling water inlet (inch)	Cooling water outlet (inch)	Chilled water inlet (inch)	Chilled water outlet (inch)	Drain port (inch)	Water tank refill port (inch)	Cooling water flow (L/min)	Chilled water flow (L/min)	Water tank capacity (L)	Weight (kg)	Ver.
33kw	37kw	4.4kw	13.2/14kw	Rc2	Rc2	Rc1.5	Rc1.5	Rc1/2	Rc1/2	156.5	125.2	150	350	A



20	SIC-38W-R2-ALL-04	Rear plate	SPCC15	1	Borrowed
19	YR90000022000	Air conditioning cable ties		4	
18	YR60620000100	Transparent air pipeM6	Structural parts	3m	
17	SIC-38W-R2-ALL-02	Left side plate	SPCC15	1	Borrowed
16	SIC-38W-R2-ALL-05	Top plate	SPCC15	1	Borrowed
15	YW63030600000	Cross recessed pan head screw M3x6		4.8	3
14	YP30425000000	Pump pressure gauge	Assembly		1
13	YP30804900700	Machine nameplate	Assembly		1
12	YW69020500000	Rivet 2x5		4.8	21
11	YW00816100000	Door lock	SPCC15		1
10	YE80317501900	Water chiller controller	Assembly		1
9	SIC-38W-R2-ALL-01	Front upper door plank	SPCC15	1	Borrowed
8	YW62051000100	Large cross socket flat head screw M5x10		4.8	8
7	YW062031004.00	Large hinge CL203-11left	Structural parts		2
6	SIC-38W-R2-ALL-06	Front lower door plank	SPCC15	1	Borrowed
5	YW62063500000	Flat head screw M6x35		4.8	12
4	SIC-38W-R2-P-C-ALL-01	Refrigerant system (230V)	Assembly		1
3	SIC-38W-R2-ALL-03	Right side plate	SPCC15	1	Borrowed
2	SIC-38W-R2-P-B-ALL	Water system	Assembly		1
1	SIC-38W-R2-A-ALL	Rack assembly	Assembly	1	Borrowed
序号	代号	名称	材质	数量	备注

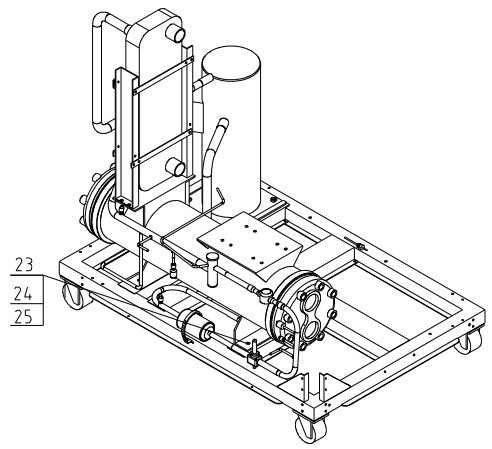
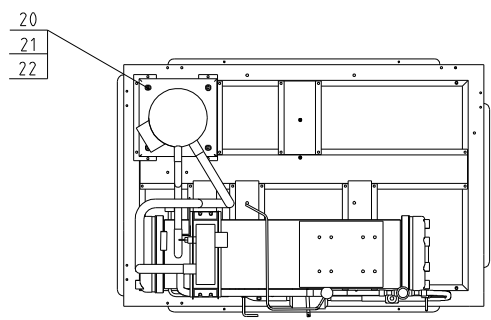
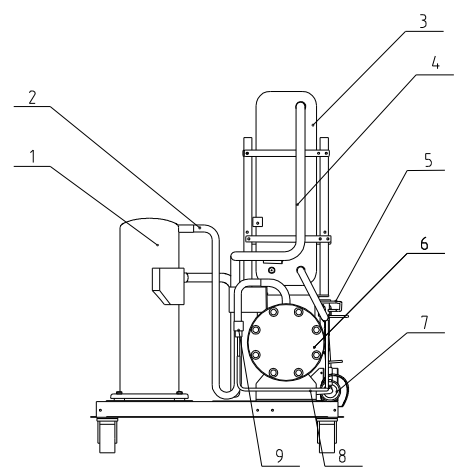
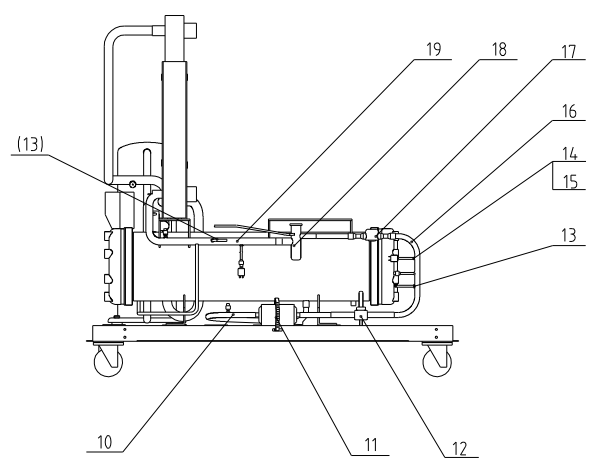
				制图		版号	A	标题	SIC-38W-R2-P	图号	SIC-38W-R2-P-ALL-01	比例	1:14	数量	1
				设计		核准		总装图 (230V)						材质	Assembly
(A1)	外购件	自制件		20231008	校对			SHINI 信易电热机械股份有限公司 Shini Plastics Technologies, Inc.	表面要求		/				
标记	更改前	更改后	更改人	日期	审核	日期	20230915		物料号		/				



34	SIC-33A-R2-A-38	Drainage fixed plate combination	SPCC2.0	1	Borrowed
33	SIC-38W-R2-A-ALL-01	Bottom frame combination	Assembly	1	
32	YW64000600300	Hex nut M6	5.0	74	
31	YW65006000100	Spring washer GB/T93.6	65Mn	118	
30	YW66061300000	Flat washer A grade GB/T93.6	14.0HV	118	
29	YW60062000100	Hex bolt M6x20	4.8	118	
28	SIC-38W-R2-A-07	Electrical base plate	SECC1.5	1	
27	SIC-38W-R2-A-10	Top frame	SPCC2.0	1	
26	SIC-38W-R2-A-03	Right front pillar	SPCC2.0	1	
25	SIC-38W-R2-A-08	Front middle crossbeam	SPCC2.0	1	
24	SIC-33A-R2-A-25	Fixing clip for return air pipe	SPCC1.0	1	Borrowed
23	SIC-38W-R2-A-16	Fixed connection block for return air pipe	SPCC2.0	1	
22	YP31051650000	Triangle power supply 3-phase 400V		1	
21	SG-S-01	Wire clamp fixing plate M32	SPCC2.0	1	
20	SIC-38A-R2-A-20	Plate exchange fixing plate	SPCC3.0	2	Borrowed
19	SIC-33A-R2-A-18	Evaporator fixing plate	SPCC2.0	4	Borrowed
18	SIC-33A-R2-A-24	Exhaust pipe fixing clip	SPCC1.0	1	Borrowed
17	SIC-38W-R2-A-19	Fixed connection block for exhaust pipe	SPCC3.0	1	
16	SIC-38W-R2-A-11	Filter fixing crossbeam	SPCC2.0	1	
15	SIC-38W-R2-A-02	Left front pillar	SPCC2.0	1	
14	SIC-38W-R2-A-06	Control box	SPCC1.5	1	
13	SIC-38W-R2-A-01	Meter plate	SPCC2.0	1	
12	SIC-38W-R2-A-12	Filter fixing block	SPCC3.0	1	
11	YW03000300000	Black rubber wheel 3 inches/brake applied	Assembly	2	
10	SIC-38W-R2-A-04	Left rear pillar	SPCC2.0	1	
9	SIC-33A-R2-A-30	Fixed block folding plate for inlet and outlet water pipes	SPCC2.0	2	Borrowed
8	SIC-38W-R2-A-15	Fixed beam for inlet and outlet water pipes	SPCC3.0	1	
7	SIC-33A-R2-A-29-01	Fixed welding blocks for inlet and outlet water pipes	SPCC3.0	2	Borrowed
6	SIC-38W-R2-A-03	Right rear pillar	SPCC2.0	1	
5	YW03000300200	Black rubber wheel 3 inches/movable	Assembly	2	
4	BL08102100020	Triangle plate (right) SIC-004	SPCC2.0	4	
3	YE9004.8501200	Communication interface board RS-485	Assembly	1	
2	YW62051000100	Large cross socket flat head screw M5x10	4.8	6	
1	BL08112000020	Triangle plate (left) SIC-003	SPCC2.0	4	

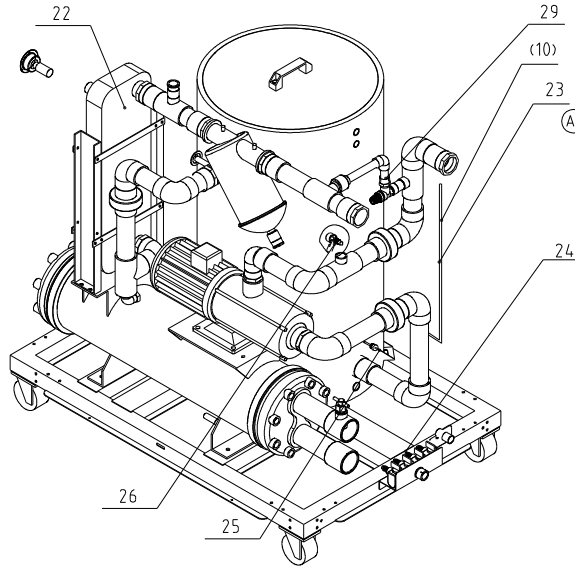
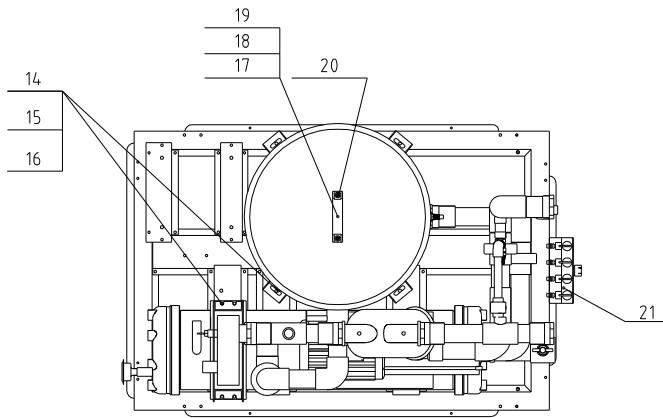
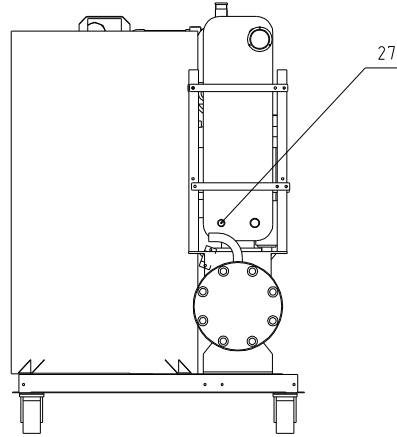
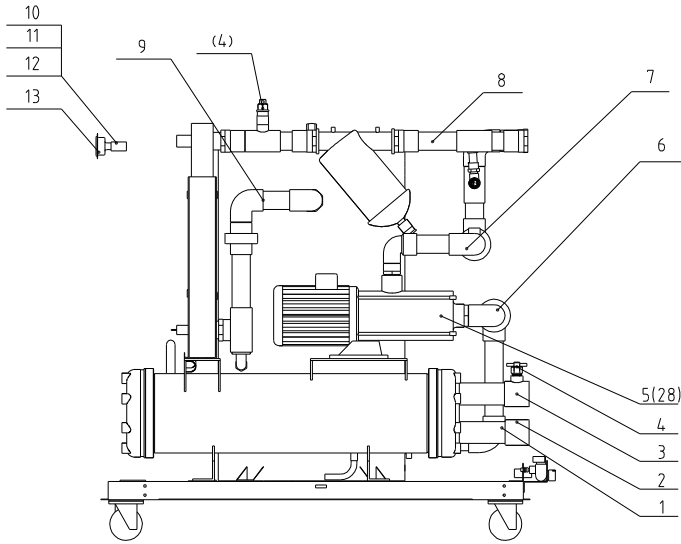
序号	代号	名称	材质	数量	备注
		标题 SIC-38W-R2 机架组合		比例 1:17	数量 1
		图号 SIC-38W-R2-A-ALL		材质 Assembly	
		SHINI 信易电热机械股份有限公司 Shini Plastics Technologies, Inc.	表面要求	/	
		物料号		/	

				制图		版号	C
				设计		核准	
				校对		日期	20190301
①	无	新增	20230912	更改后	更改人	日期	20190301
标记	更改前	更改后	更改人	日期	审核	日期	20190301



23	YW60082000200	Hexagon bolt M8x20	8 8	4	
22	YW66081600000	Flat gasket (Φ4×16×1.6)	14.0HV	8	
21	YW65008000100	Spring washer GB/T93 8	65Mn	8	
20	YW60084.000100	Hexagon bolt M8x4.0	4, 8	4	
19	SIC-38W-R2-C-07	Expansion valve outlet pipe	TP2M	1	Borrowed
18	YW85712500000	Expansion valve BAE7-1/2	Assembly	1	
17	YW85001500100	Sight glass HMI-1T15	Assembly	1	Option
16	SIC-38W-R2-C-06	Filter outlet pipe	TP2M	1	Borrowed
15	YW590014.00600	Copper 3-way 1/4"	TP2	2	
14	YW850104.00300	Top needle valve for liquid addition	Assembly	6	
13	YS30063500000	Quick connector connecting pipe	TP2M	0.2m	
12	YE90207506800	Liquid pipe solenoid valve	Assembly	1	Option
11	YW020004.00000	Steel wire hose 4"	Assembly	1	
10	SIC-38W-R2-C-05	Filter inlet pipe	TP2M	1	Borrowed
9	YE9004.24.02100	Hot-air by pass valve FDF-4A	Assembly	1	
8	SIC-38W-R2-C-08	Bypass valve air outlet pipe	TP2M	1	Borrowed
7	YW85016500100	Dry filter EK165S	Assembly	1	
6	SIC-38W-R2-C-02	Condenser	Assembly	1	Borrowed
5	YS30063500000	Expansion valveEqualizing tube	TP2M	0.4m	
4	SIC-38W-R2-C-03	Return air pipe	TP2M	1	Borrowed
3	SIC-38W-R2-C-01	Plate evaporator	Assembly	1	Borrowed
2	SIC-38W-R2-C-04	Air exhaust pipe	TP2M	1	Borrowed
1	YM70012201700	Compressor ZP122KCE	Assembly	1	230V

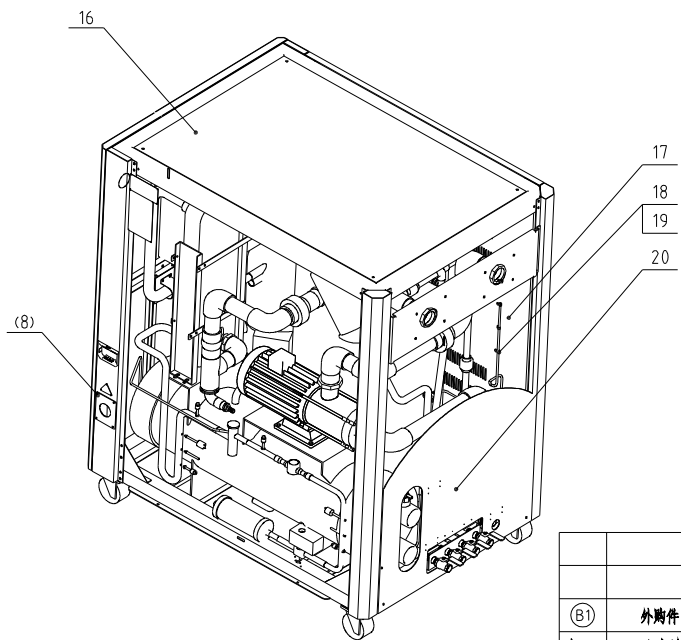
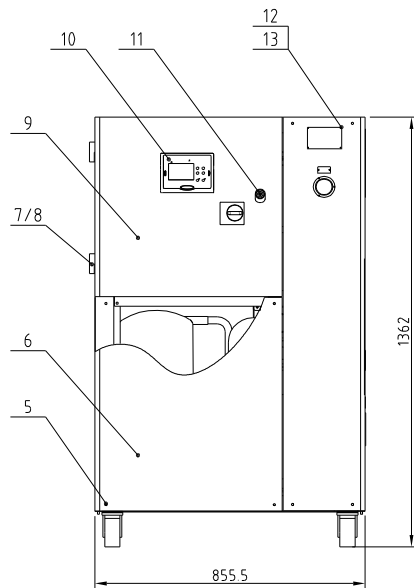
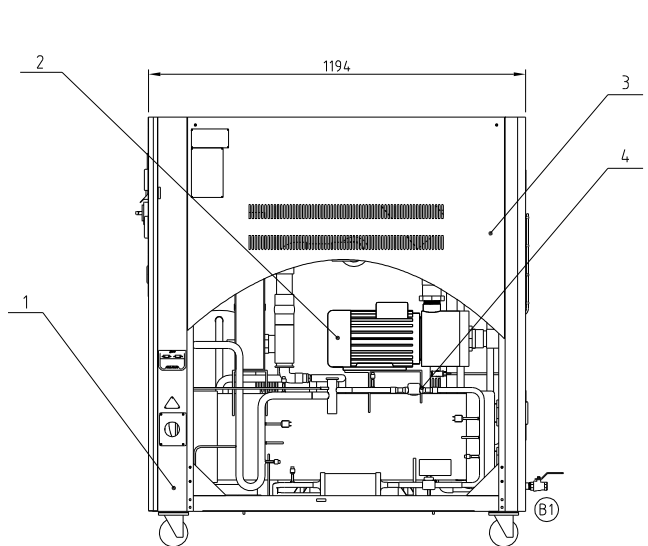
制图	版号	0	标题	SIC-38W-R2-P	图号	SIC-38W-R2-P-C-ALL-01	比例	1:15	数量	1
设计	核准		冷媒系统 (230V)					材质	Assembly	
校对	核准		SHINI 信易电热机械股份有限公司 Shini Plastics Technologies, Inc.			表面要求		/		
标记	更改前	更改后	更改人	日期	审核	日期	20230915	物料号	/	



29	SIC-38W-R2-B-07	Water outlet pipe bypass combination	Assembly	1	Borrowed
28	YM2184.03004.00	Nanyuan water pump SHF8-40	Structure parts	1	High voltage usage
27	YE900014.00700	Antifreeze temperature sensing line 4x286, 1/4" PT	Structure parts	1	
26	YE900016.00000	Side mounted plastic duckbill type liquid level switch M16	Structure parts	1	Option
25	YE907110.00000	Water temperature probe #7X 110mm, 1/8" PT	Assembly	1	
24	YR600510.00000	Steel wire hose 1/2"	Assembly	2m	
23	YR900000.022000	Air conditioning black tie	Structure parts	4	
22	YW873801.00000	Plate evaporator HBL95B-18D	Assembly	1	
21	YW5034.4.100100	3-gauge inlet and outlet four-way valve 1/2 inch	Assembly	1	
20	YW61062.000000	Internal hexagonal screw M6x20	DB	2	
19	SIC-38W-R2-B-08	Water tank cover	Assembly	1	Borrowed
18	SIC-38W-R2-B-07	Water tank	Assembly	1	Borrowed
17	BW20012.00004.0	Aluminum square handle	Assembly	1	
16	YW60082.000200	Hex bolt M8x20	8.8	12	
15	YW660816.000000	Flat gasket (8.4x16x1.6)	140HV	12	
14	YW65008.000100	Spring washer GB/T93.8	65Mn	12	
13	YW85001.000100	pressure gage 0-10KG	Assembly	1	
12	BH120607.01710	1/4" PT to 1/4" H connector	H58	1	
11	YW800614.00200	L-shaped threaded joint APL6	Assembly	3	
10	YR6062.0000100	Air pipe		1m	
9	SIC-38W-R2-B-03	plate exchange water outlet pipe combination	Assembly	1	Borrowed
8	SIC-38W-R2-B-01	Plate exchange inlet pipe combination	Assembly	1	Borrowed
7	SIC-38W-R2-P-B-02	Combination of water pump outlet pipe	Assembly	1	
6	SIC-38W-R2-P-B-01	Combination of water pump inlet pipe	Assembly	1	
5	YM218303.00200	Nanyuan water pump SHF8-30	Assembly	1	Medium voltage usage
4	YW8504.3600000	Flow switch	Assembly	1	
3	YW520234.01300	Galvanized water pipe three-way 2" X 3/4"	Q235A	1	
2	YW510002.000000	Galvanized water pipe with straight internal teeth 2" condensing inlet and outlet pipes	Q235A	1	
1	SIC-38W-R2-B-08		Q235A	2	Borrowed

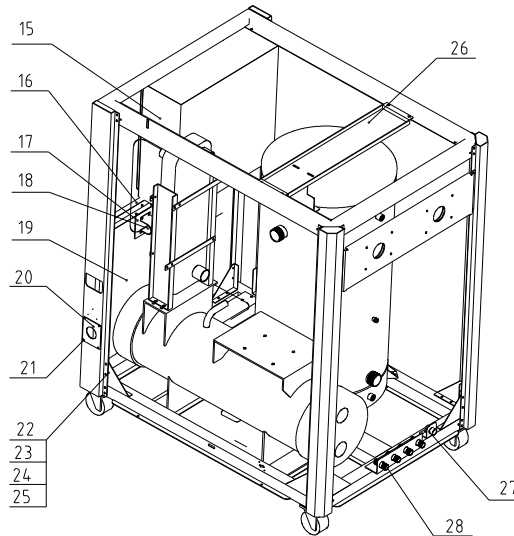
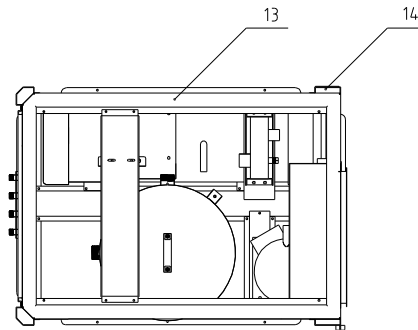
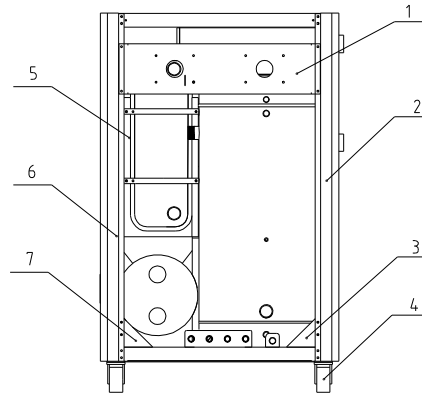
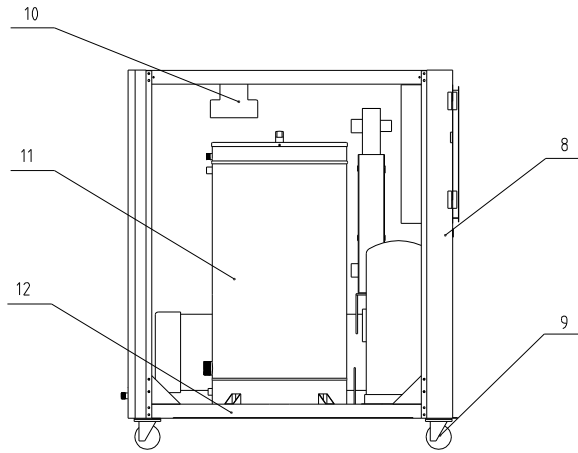
					制图	版号	A	标题	SIC-38W-R2-P	图号	SIC-38W-R2-P-B-ALL	比例	1:13	数量	1
					设计	核准			水系统					材质	Assembly
(A1)	YW500012.00300	YW5034.4.100100		20230701	校对										/
标记	更改前	更改后	更改人	日期	审核	日期	20230327	SHINI 信易电热机械股份有限公司 Shini Plastics Technologies, Inc.		表面要求					/
								物料号							/

Cooling Capacity (outlet temperature 75/55W)	Cooling Capacity (outlet temperature 75/55W)	Cooling Capacity (outlet temperature 75/55W)	Total power (inlet/high pressure)	Cooling water inlet (incht)	Cooling water outlet (incht)	Chilled water inlet (incht)	Chilled water outlet (incht)	Drain port (incht)	Water tank refill port (incht)	Cooling water flow (L/min)	Chilled water flow (L/min)	Water tank capacity (L)	Weight (kg)	Ver.
52kw	56kw	66kw	17.7/18.5kw	Rc2	Rc2	Rc1.5	Rc1.5	Rc1/2	Rc1/2	235	188	150	44.0	A



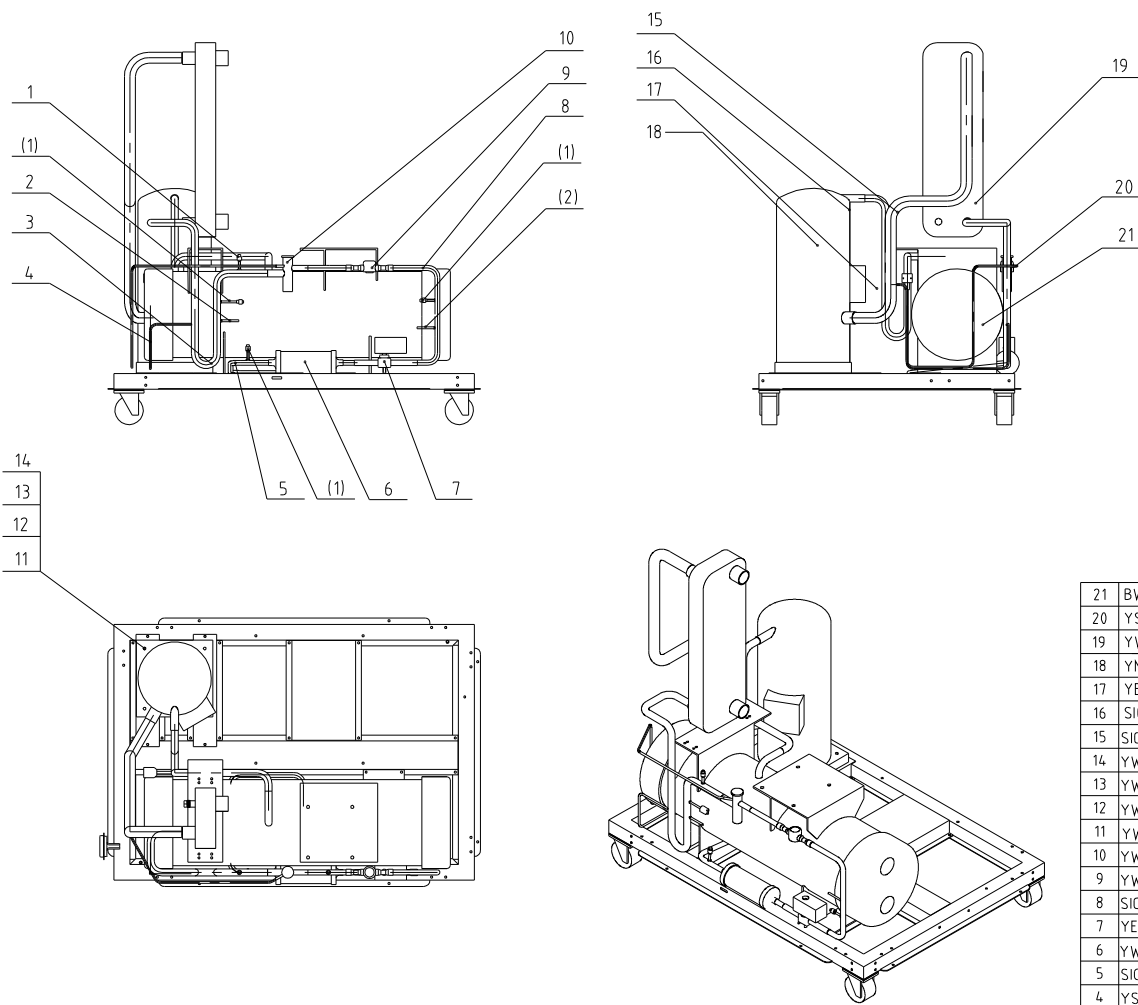
20	SIC-57W-R2-ALL-05	Rear plate	SPCC15	1	Borrowed
19	YR90000022000	Air conditioning cable ties		4	
18	YR60620000100	Transparent air pipe M6	Structural parts	3m	
17	SIC-57W-R2-ALL-03	Left side plate	SPCC15	1	Borrowed
16	SIC-57W-R2-ALL-06	Top plate	SPCC15	1	Borrowed
15	YW63030600000	Cross recessed pan head screw M3x6		4.8	3
14	YP30425000000	Pump pressure gauge	Assembly		1
13	YP30804900700	Machine nameplate	Assembly		1
12	YW69020500000	Rivet 2x5		4.8	17
11	YW00816100000	Door lock	SPCC15		1
10	YE80317506700	Water chiller controller	Assembly		1
9	SIC-57W-R2-ALL-01	Front upper door plank	SPCC15	1	Borrowed
8	YW62051000100	Large cross socket flat head screw M5x10		4.8	8
7	YW062031004.00	Large hinge (L203-1left)	Structural parts		2
6	SIC-57W-R2-ALL-02	Front lower door plank	SPCC15	1	Borrowed
5	YW62063500000	Large cross socket flat head screw M6x35		4.8	20
4	SIC-57W-R2-P-C-ALL-01	Refrigerant system (230V)	Assembly		1
3	SIC-57W-R2-ALL-04	Right side plate	SPCC15	1	Borrowed
2	SIC-57W-R2-P-B-ALL	Water system	Assembly		1
1	SIC-57W-R2-A-ALL	Rack assembly	Assembly	1	Borrowed
序号	代号	名称	材质	数量	备注

				制图		版号	B	标题	SIC-57W-R2-P	图号	SIC-57W-R2-P-ALL-01	比例	1:15	数量	1
				设计		核准		总装图 (230V)					材质	Assembly	
(B1)	外购件	自制件		20230926	校对				信易电热机械股份有限公司 Shini Plastics Technologies, Inc.		表面要求		/		
标记	更改前	更改后	更改人	日期	审核	日期	20230712				物料号		/		



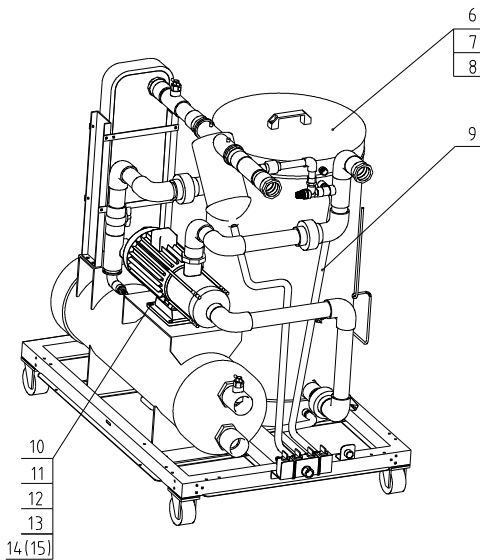
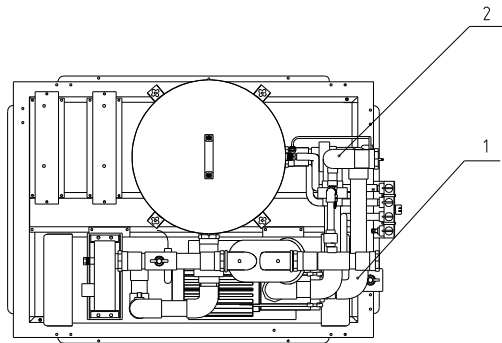
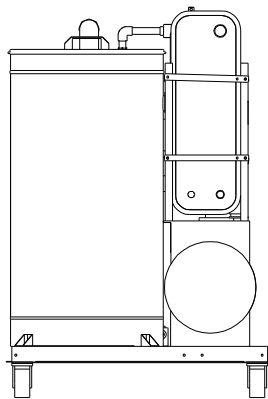
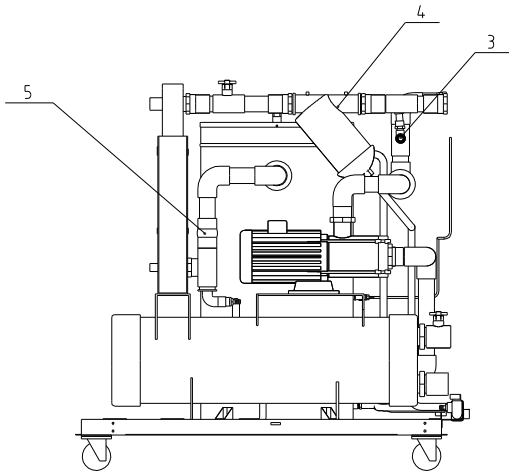
28	SIC-33A-R2-A-38	Drainage fixed plate combination	H58	1	Borrowed
27	SIC-33A-R2-A-39	Water pipe fixing plate	SPCC2.0	1	Borrowed
26	SIC-56W-R2-A-17	Filter fixing crossbeam	SPCC2.0	1	
25	YW66061300000	Flat washer A gradeGB/T9716-Longzine	14.0HV	150	
24	YW65006000100	Standard spring washer GB/T93 6-Longzine	65Mn	120	
23	YW64000600300	Hexagon nut GB/T6170 M6-Longzine	5.0	120	
22	YW60062000100	Hex bolt M6×20-12.9-Longzine	4.8	120	
21	YW67481900000	Cross socket head tapping screw M4.8×15	4.8	20	
20	BL02010000020	Wire clamp fixing plate M32	SPCC2.0	1	
19	SIC-57W-R2-A-01	Meter plate	SPCC15	1	
18	SIC-57W-R2-A-20	Copper tube fixing plate	SPCC3.0	1	
17	SIC-57W-R2-A-21	Fixing clip for return air pipe	SPCC1.0	1	
16	SIC-57W-R2-A-08	Front middle crossbeam	SPCC3.0	1	
15	SIC-57W-R2-A-06	Control box	SPCC15	1	
14	SIC-57W-R2-A-03	Right front pillar	SPCC2.0	1	
13	SIC-57W-R2-A-10	Top frame	SPCC2.0	1	
12	SIC-57W-R2-A-ALL-01	Bottom frame combination	Assembly	1	
11	SIC-57W-R2-B-07	Water tank body	SPCC2.0	1	
10	SIC-57W-R2-A-20	Filter fixing block	SPCC2.0	1	
9	YW03000300000	Brake black rubber wheel 3"PP	SPCC2.0	2	
8	SIC-57W-R2-A-02	Left front pillar	SPCC2.0	1	
7	BL08102100020	Triangle plate (right) SIC-004	SPCC2.0	4	
6	SIC-57W-R2-A-05	Right rear pillar	SPCC2.0	1	
5	SIC-57W-R2-A-18	Plate replacement fixing bracket	SPCC3.0	2	
4	YW03000300200	Activity black rubber wheel 3"PP	Assembly	2	
3	BL08112000020	Triangle plate (left) SIC-003	SPCC2.0	4	
2	SIC-57W-R2-A-04	Left rear pillar	SPCC2.0	1	
1	SIC-57W-R2-A-21	Fixed beam for inlet and outlet water pipes	SPCC3.0	1	
序号	代号	名称	材质	数量	备注

				制图	版号	C	标题	SIC-57W-R2	图号	SIC-57W-R2-A-ALL	比例	1:17	数量	1
				设计	核准		机架组合						材质	Assembly
①	分水器固定板	排水固定板组合	20230915	校对									表面要求	/
标记	更改前	更改后	更改人	日期	审核	日期	20190301	信易电热机械股份有限公司 Shini Plastics Technologies, Inc.		物料号			/	



21	BW86005300010	Condenser SIC-57W-R2-C-02	Assembly	1	Borrowed
20	YS30063500000	Equalizing tube	Assembly	1	
19	YW87570108800	Plate exchange SIC-57W-R2-C-01	Assembly	1	Borrowed
18	YM70184300000	Compressor SH184-3(3Φ230V/60Hz)	Assembly	1	
17	YE90062402100	Hot-air by pass valve FDF-6A	Assembly	1	
16	SIC-57W-R2-C-03	Air exhaust pipe	TP2M	1	Borrowed
15	SIC-57W-R2-C-04	Return air pipe	TP2M	1	Borrowed
14	YW66061300000	Flat gasket A grade GB/T9718-Longzine	14.0HV	16	
13	YW65006000100	Standard spring washer GB/T93 8-Longzine	65Mn	16	
12	YW64080600000	Hexagon nut GB/T6170 M8-Longzine	5.0	16	
11	YW60084000100	Hexagon bolt M8×4.0-12.9-Longzine	4.8	16	
10	YW85165800000	Expansion valve TFES 16-ZAA 5/8×7/8	Assembly	1	
9	YW85001500100	Sight glass HMI-1TT5	Assembly	1	Option
8	SIC-57W-R2-C-06	Filter outlet pipe	Assembly	1	Borrowed
7	YE90207506800	Liquid pipe solenoid valve	TP2M	1	Option
6	YW85030500100	Dry filter EK305S	Assembly	1	
5	SIC-57W-R2-C-05	Condenser discharge pipe	TP2M	1	Borrowed
4	YS30063500000	Bypass valve air inlet pipe	TP2M	1	
3	SIC-57W-R2-C-07	Evaporator inlet pipe	TP2M	1	Borrowed
2	YS30063500000	Quick connector connecting pipe	TP2M	1	
1	YW85010400300	Top needle valve for liquid addition	Assembly	4	

				制图		版号	A	标题	SIC-57W-R2-P	图号	SIC-57W-R2-P-C-ALL-01	比例	1:15	数量	1	
				设计		核准		冷媒系统 (230V)								
(A1)		见本图		20230701	校对			信易电热机械股份有限公司 Shini Plastics Technologies, Inc.				表面要求	/			
标记	更改前	更改后	更改人	日期	审核	日期	20230712		物料号	/						



15	YM21123001500	Nanyuan water pump SHF12-30	Assembly	1	High voltage usage
14	YM21122000150	Nanyuan water pump SHF12-20	Assembly	1	Medium voltage usage
13	YW66061300000	Flat gasket A grade GB/T971.8	14.0HV	8	
12	YW65006000100	Standard spring washer GB/T93	65Mn	8	
11	YW64080600000	Hex nut GB/T6170 M8	5.0	8	
10	YW60082500100	Hex bolt M8-25-12.9	4.8	8	
9	YR60051000000	Steel wire hose 1/2"		5M	
8	BW20012000040	Square aluminum handle	Assembly	1	
7	SIC-33A-R2-B-08	Water tank cover	SUS201	1	Barrowed
6	SIC-57W-R2-B-07	Water tank	Assembly	1	Barrowed
5	SIC-57W-R2-B-03	Evaporator water outlet pipe combination	Assembly	1	Barrowed
4	SIC-57W-R2-B-02	Combination of return water pipes	Assembly	1	Barrowed
3	SIC-57W-R2-B-08	Water outlet pipe bypass combination	Assembly	1	Barrowed
2	SIC-57W-R2-P-B-03	Water outlet pipe combination	Assembly	1	
1	SIC-57W-R2-P-B-02	Combination of water pump suction pipe	Assembly	1	

					制图	版号	A	标题	SIC-57W-R2-P	图号	SIC-57W-R2-P-B-ALL
					设计	核准		水系统			
(A1)		见本图		20230701	校对						
标记	更改前	更改后	更改人	日期	审核	日期	20230620				

SHINI 信易电热机械股份有限公司
Shini Plastics Technologies, Inc.

比例	1:15	数量	1
表面要求		材质	Assembly
物料号			/