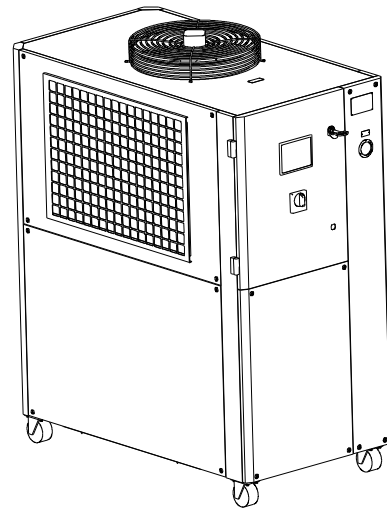
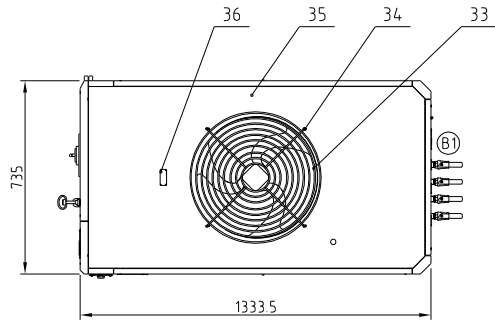
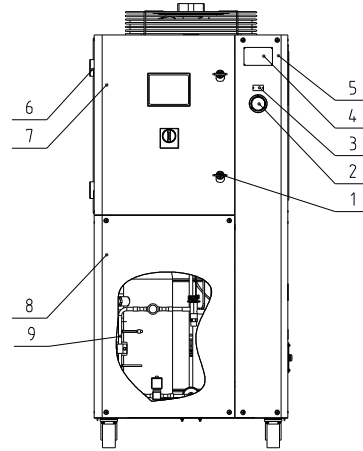
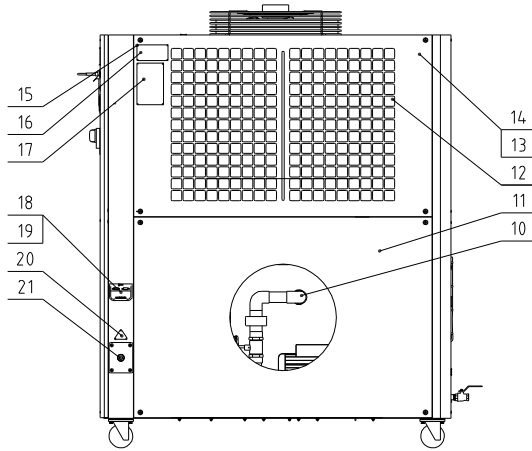
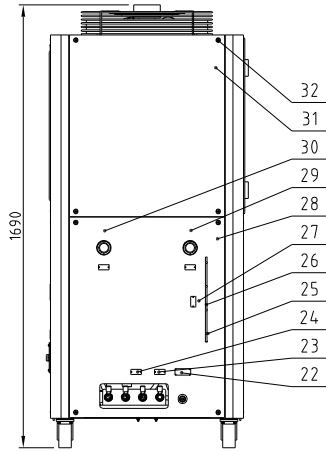


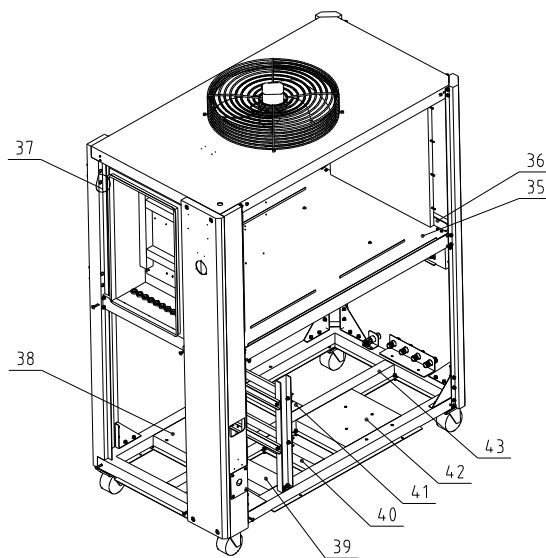
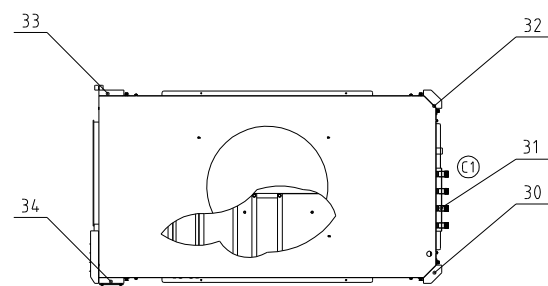
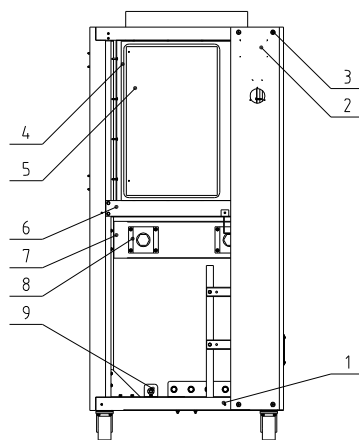
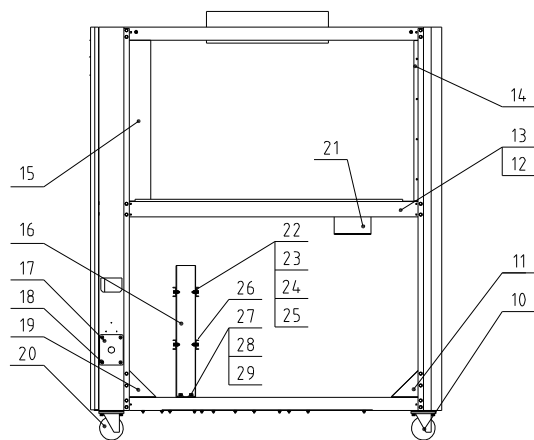
Cooling Capacity (inlet temperature 70/50W)	Cooling Capacity (inlet temperature 10/50W)	Cooling Capacity (inlet temperature 10/10W)	Total power (middle/high pressure)	Chilled water inlet (inch)	Chilled water outlet (inch)	Drain port (inch)	Water tank refill port (inch)	Chilled water flow (L/min)	Water tank capacity (L)	Weight (kg)	Ver.
14kw	15kw	18kw	6.62/7.02kW	Rc1.25	Rc1.25	Rc1/2	Rc1/2	4.95	76	350	A

(B2)



36	YP30432000000	Directional label	2024	1	
35	SIC-15A-R2-ALL-01	Top plate assembly	Assembly	1	Borrowed
34	YW67481900000	Cross socket head tapping screw STx 8x19	SPEC15	37	
33	YM60450003600	Triange power supply 3-phase 450V	Assembly	1	
32	YW62063500000	Large cross socket flat head screw M6x35	Assembly	28	
31	SIC-25A-R2-ALL-06	Rear upper panel	SPEC15	1	Borrowed
30	YP30422000000	Mold return label	2024	1	
29	YP30423000000	To mold label	2024	1	
28	SIC-25A-R2-ALL-07	Rear lower panel	SPEC15	1	Borrowed
27	YP30102003100	Liquid level indicator label	2024	1	
26	YR60620000100	Transparent air pipe	Structural parts	3M	
25	YR90000022000	Air conditioner black tie (width 45MM)	Assembly	5	
24	YW03000300200	3-inch black PPR wheel for activity	Assembly	2	
23	YP30402000500	Overflow port indicator label	2024	1	
22	YP30602500000	Purified water inlet indicator label	2024	1	
21	YE67251500100	Copper nickel plated cable joint M2.5x15	Assembly	1	
20	YP31034600000	Triange power supply 3-phase 450V	2024	1	
19	YR40048500000	Shell RS-485	Assembly	1	
18	YE90048501200	Communication interface panel RS-485	Assembly	1	
17	YP31158004000	Cold water machine maintenance aluminum plate label	Assembly	1	
16	YP31018600000	Notes label (in both Chinese and English)	2024	1	
15	YW69020500000	Rivet GB/T 827.2x5		20	
14	SIC-25A-R2-ALL-05	Upper right side panel	SPEC15	1	Borrowed
13	SIC-25A-R2-ALL-03	Left upper side plate	SPEC15	1	Borrowed
12	SIC-25A-R2-ALL-10	Anti-dust screen	PA66	2	Borrowed
11	SIC-25A-R2-ALL-04	Lower side plate	SPEC15	2	Borrowed
10	SIC-15A-R2-P-B-ALL	Water system	Assembly	1	
9	SIC-15A-R2-C-ALL	Refrigerant system	Assembly	1	Borrowed
8	SIC-25A-R2-ALL-02	Front lower panel	SPEC15	1	Borrowed
7	SIC-25A-R2-ALL-01	Front upper panel	SPEC15	1	Borrowed
6	YW06203100400	Large hinge (L203-10x1)	SPEC20	2	
5	SIC-15A-R2-A-ALL	Rack	Assembly	1	Borrowed
4	YP30804900700	Aluminum plate nameplate (small) universal to the group	2024	1	
3	YP30425000000	Pump pressure gauge (aluminum plate label)	2024	1	
2	YW85001000100	Pressure gauge 0-10KG	Assembly	1	
1	YW00816100000	Door lock (MSB16-1 with key)	Assembly	2	

序号	代号		名称		材质	数量	备注
(B2)	6.1/6.56kw	6.62/7.02kw	20231016	制图			
(B1)	外购件	自制件	20231016	设计			
标记	更改前	更改后	更改人	校对			
			日期	审核			
			日期	日期	20230227		
标题		SIC-15A-R2-P		图号		SIC-15A-R2-P-ALL	
总装图							
SHINI		信易电热机械股份有限公司		表面要求		/	
				物料号		/	



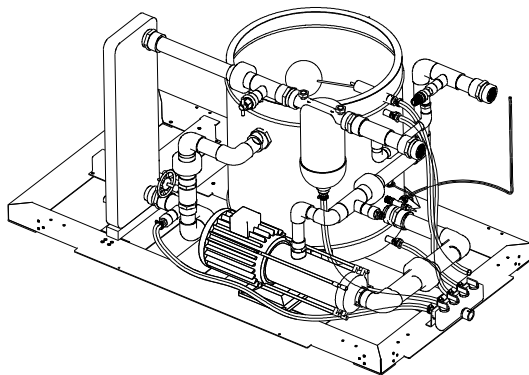
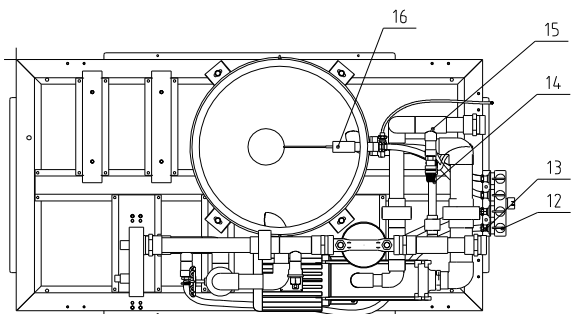
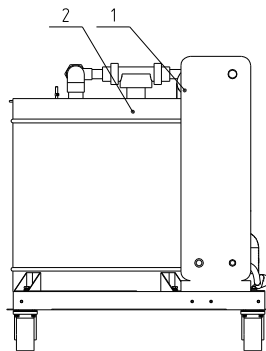
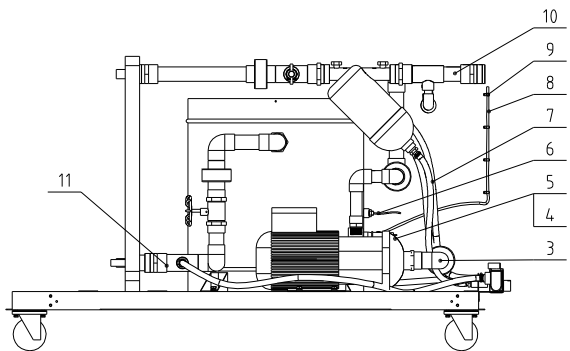
43	SIC-25A-R2-A-11	Bottom middle crossbeam	SPCC2 0	1	Borrowed
42	SIC-25A-R2-A-14	Water pump bottom plate	SPCC2 0	1	Borrowed
41	SIC-25A-R2-A-13	Water tank crossbeam 2	SPCC2 0	1	Borrowed
40	SIC-25A-R2-A-12	Water tank crossbeam 1	SPCC2 0	1	Borrowed
39	SIC-25A-R2-A-15	Plate exchange base plate	SPCC2 0	1	Borrowed
38	SIC-15A-R2-A-01	Compressor crossbeam	SPCC2 0	1	
37	SIC-33A-R2-A-34	Top panel fixing bolt support	SPCC2 0	2	Borrowed
36	SIC-25A-R2-A-17	Rear middle crossbeam	SPCC2 0	1	Borrowed
35	SIC-25A-R2-A-25	Sealing plate under the condenser	SPCC1 0	1	Borrowed
34	SIC-25A-R2-A-03	Right front pillar	SPCC2 0	1	Borrowed
33	SIC-25A-R2-A-02	Left front pillar	SPCC2 0	1	Borrowed
32	SIC-25A-R2-A-04	Left rear pillar	SPCC2 0	1	Borrowed
31	SIC-33A-R2-A-38	Drainage fixed plate combination	SPCC2 0	1	Borrowed
30	SIC-25A-R2-A-05	Right rear pillar	SPCC2 0	1	Borrowed
29	YW66081600000	Flat washer A grade GB/T193118.4*16*1.61	140HV	4	
28	YW65008000100	Standard spring washer GB/T19318.65Mn	65Mn	4	
27	YW60082000200	Hexagon bolt GB/T5783 M8x20	5.0	4	
26	SIC-33A-R2-A-18	Evaporator fixing plate	SPCC2 0	4	Borrowed
25	YW64000600300	Hexagon bolt GB/T5781 M6x20	4.8	155	
24	YW66061300000	Standard spring washer GB/T19316.65Mn	65Mn	155	
23	YW65006000100	Flat washer A grade GB/T193116.6*12*1.61	140HV	243	
22	YW60062000100	Hexagon bolt GB/T6170 M6	5.0	88	
21	SIC-25A-R2-A-27	Water filter fixing plate	SPCC2 0	1	Borrowed
20	YW03000300000	3-inch black PPR wheel middle brake	Structural parts	2	
19	BL08102100020	Triangle plate (right) SIC-004	SPCC2 0	3	
18	YW62051000100	Large cross socket flat head screw JIS1111 M5x10	4.8	27	
17	SG-S-01	Wire clamp fixing plate M25	SPCC2 0	1	Borrowed
16	SIC-25A-R2-A-16	Evaporator fixing groove	SPCC2 0	2	Borrowed
15	SIC-25A-R2-A-24	Front sealing plate of condenser	SPCC1 5	1	Borrowed
14	SIC-25A-R2-A-26	Sealing plate behind condenser	SPCC1 5	1	Borrowed
13	SIC-25A-R2-A-19	Right middle crossbeam	SPCC2 0	1	Borrowed
12	SIC-25A-R2-A-18	Left middle crossbeam	SPCC2 0	1	Borrowed
11	BL08112000020	Triangle plate (left) SIC-003	SPCC2 0	3	
10	YW030003000200	3-inch black PPR wheel for activity	Structural parts	2	
9	SIC-33A-R2-A-39	Fixed plate for water replenishment pipe	SPCC2 0	1	Borrowed
8	SIC-25A-R2-A-23	Fixed folding plate for inlet and outlet water pipes	SPCC2 0	2	Borrowed
7	SIC-25A-R2-A-22	Fixed crossbeam for inlet and outlet water pipes	SPCC2 0	1	Borrowed
6	SIC-25A-R2-A-08	Front middle crossbeam	SPCC2 0	1	Borrowed
5	SIC-25A-R2-A-07	Electrical baseplate	SPCC1 5	1	Borrowed
4	SIC-25A-R2-A-06	Control box	SPCC1 5	1	Borrowed
3	YW62063500000	Large cross socket flat head screw JIS1111 M6x35	4.8	4	
2	SIC-25A-R2-A-01	Meter plate	SPCC1 5	1	Borrowed
1	SIC-25A-R2-A-09	Bottom frame	SPCC2 0	1	Borrowed

①
②

序号	代号	名称	材质	数量	备注
②	25A-R2-A-28	取消			
①	集水器固定板	排水固定板组合			
标记	更改前	更改后	更改人	日期	审核

制图	版号	标题	图号	比例	数量	备注
设计	C	SIC-15A-R2 机架	SIC-15A-R2-A-ALL	1:18	1	
校对						材质 组合件
审核						表面要求 /
日期						物料号 /

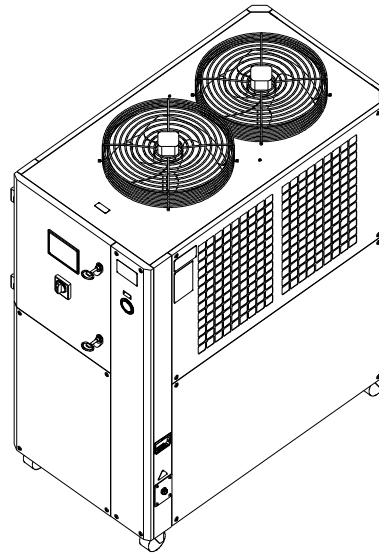
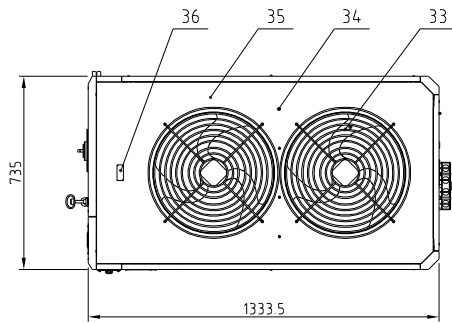
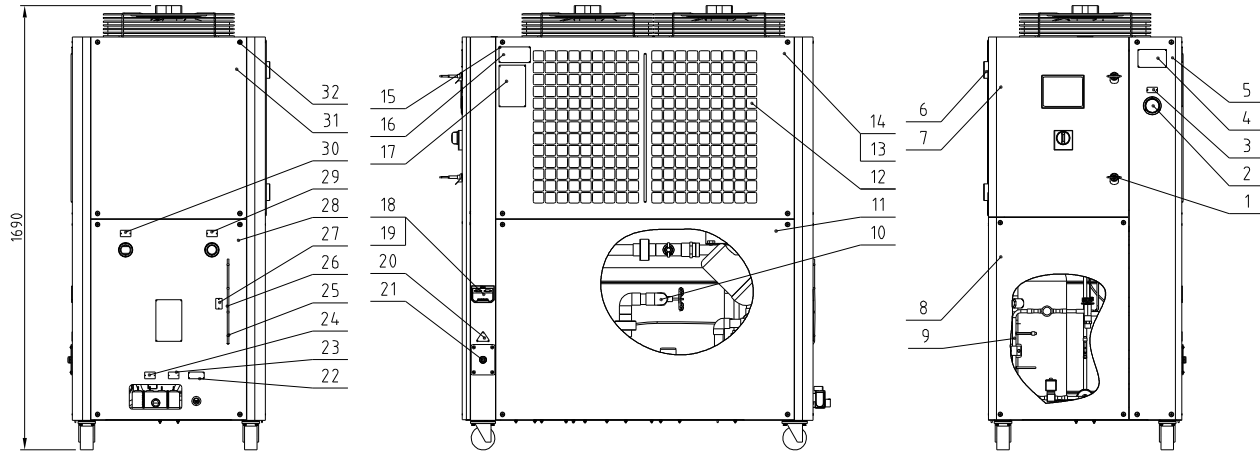




16	YW59010200000	Ball switch copper 1/2"	Assembly	1	
15	SIC-15A-R2-P-B-03	Combination of water pump outlet pipe	Assembly	1	
14	SIC-25A-R2-B-07	Water outlet pipe bypass combination	Assembly	1	Borrowed
13	YW02182900000	Stainless steel tube bundle (φ8-29)	Assembly	4	
12	YW50344100100	3 specifications inlet and outlet four-way valve 1/2 inch	Assembly	1	
11	SIC-25A-R2-B-02	Plate exchange water outlet assembly	Assembly	1	Borrowed
10	SIC-25A-R2-B-01	Return water pipe assembly	Assembly	1	Borrowed
9	YR90000022000	Ribbon	Plastic	5	
8	YR60620000100	Transparent Rubber hose	PE	15M	
7	YR60051000000	Steel wire hose 1/2"	Assembly	3M	
6	YE90001600000	Duck billed liquid level switch	Assembly	1	Option
5	YM214.30300200	Nanyuan water pump SHFL-30	Assembly	1	Medium voltage usage
4	YM214.40300900	Nanyuan water pump SHFL-60	Assembly	1	High voltage usage
3	SIC-15A-R2-P-B-02	Combination of water pump inlet pipe	Assembly	1	
2	SIC-15A-R2-P-B-04	Water tank body	Assembly	1	
1	YW87951000000	Evaporator HBL95B-100	Assembly	1	
序号	代号	名称	材质	数量	备注

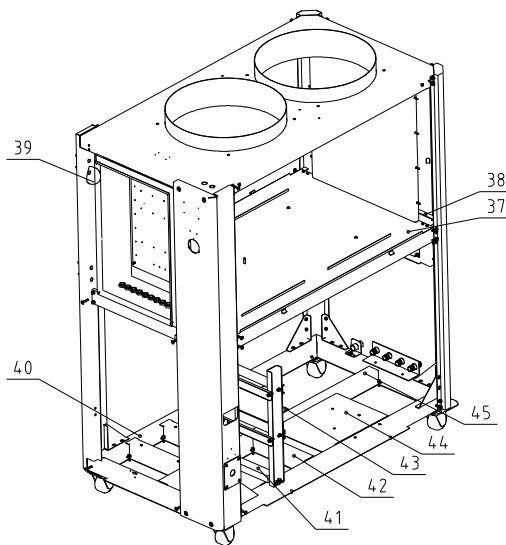
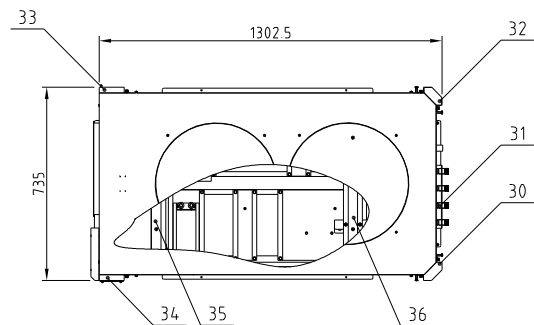
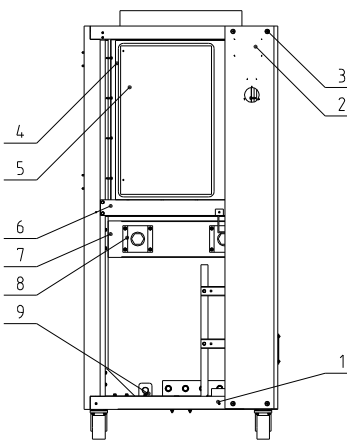
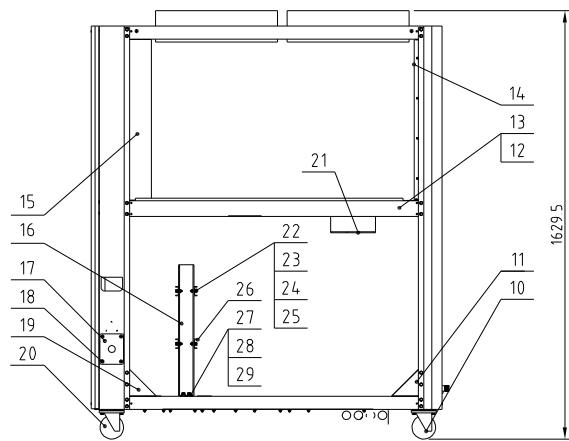
					制图	版号	A	标题	SIC-15A-R2-P	图号	SIC-15A-R2-P-B-ALL	比例	1:13	数量	1
					设计	核准		水系统						材质	Assembly
(A1)	YW50001200300	YW50344100100		20230701	校对			信易电热机械股份有限公司 Shini Plastics Technologies, Inc.	表面要求		/				
标记	更改前	更改后	更改人	日期	审核	日期	20230227		物料号		/				

Cooling Capacity (inlet temperature 7°C)	Cooling Capacity (inlet temperature 10°C)	Cooling Capacity (inlet temperature 15°C)	Total power (middle/high pressure)	Chilled water inlet (inch)	Chilled water outlet (inch)	Drain port (inch)	Water tank refill port (inch)	Chilled water flow (L/min)	Water tank capacity (L)	Weight (kg)	Ver
22kw	24kw	29kw	9.52/9.92kw	Rc1.25	Rc1.25	Rc1/2	Rc1/2	82.5	76	366	A



36	YP30432000000	Directional label	2024	1	
35	SIC-25A-R2-ALL-08	Top plate	SPCC15	1	Borrowed
34	YW67481900000	Cross socket head tapping screw S1.6x19	SPCC15	37	
33	YM60450003600	Fan A404595 dual frequency wide voltage	Assembly	2	
32	YW62063500000	Large cross socket flat head screw M6x35	A8	28	
31	SIC-25A-R2-ALL-06	Rear upper panel	SPCC15	1	Borrowed
30	YP30422000000	Mold label return	2024	1	
29	YP30423000000	To mold label	2024	1	
28	SIC-25A-R2-ALL-07	Rear lower panel	SPCC15	1	Borrowed
27	YP30102003100	Liquid level indicator label	2024	1	
26	YR60620000100	Transparent air pipe	Structural parts	3M	
25	YR90000022000	Air conditioner black tie (width 45MM)	Assembly	5	
24	YW03000300200	3-inch black PPR wheel for activity	Assembly	2	
23	YP30402000500	Overflow port indicator label	2024	1	
22	YP30602500000	Purified water inlet indicator label	2024	1	
21	YE67251500100	Copper nickel plated cable joint M2.5x1.5	Assembly	1	
20	YP31051650000	Triangle power supply 3-phase 400V	2024	1	
19	YR40048500000	Shell RS-485	Assembly	1	
18	YE90048501200	Communication interface panel	Assembly	1	
17	YP31115800400	Cold water machine maintenance aluminum plate label	Assembly	1	
16	YP31018600000	Notes label (in both Chinese and English)	2024	1	
15	YW69020500000	Rivets GB/T 827 2x5		20	
14	SIC-25A-R2-ALL-05	Upper right side panel	SPCC15	1	Borrowed
13	SIC-25A-R2-ALL-03	Left upper side panel	SPCC15	1	Borrowed
12	SIC-25A-R2-ALL-10	Anti-dust screen	PA66	2	Borrowed
11	SIC-25A-R2-ALL-04	Lower side plate	SPCC15	2	Borrowed
10	SIC-25A-R2-P-B-ALL	Water system	Assembly	1	
9	SIC-25A-R2-C-ALL	Refrigerant system	Assembly	1	Borrowed
8	SIC-25A-R2-ALL-02	Front lower panel	SPCC15	1	Borrowed
7	SIC-25A-R2-ALL-01	Front upper panel	SPCC15	1	Borrowed
6	YW06203100400	Large hinge (L203-11e1f1)	SPCC20	2	
5	SIC-25A-R2-A-ALL	Rack	Assembly	1	Borrowed
4	YP30804900700	Aluminum plate nameplate (small universal to the group)	2024	1	
3	YP30425000000	Pump pressure gauge (aluminum plate label)	2024	1	
2	YW85001000100	Pressure gauge 0-10KG	Assembly	1	
1	YW00816100000	Door lock (MS816-1 with key)	Assembly	2	

制图	版号	0	标题	SIC-25A-R2-P	图号	SIC-25A-R2-P-ALL	比例	1:18	数量	1	备注	
设计	核准		总装图						材质	组装图		
校对	核准								表面要求	/		
标记	更改前	更改后	更改人	日期	审核	日期	20230227	SHINI 信易电热机械股份有限公司 Shini Plastics Technologies, Inc.		物料号	/	



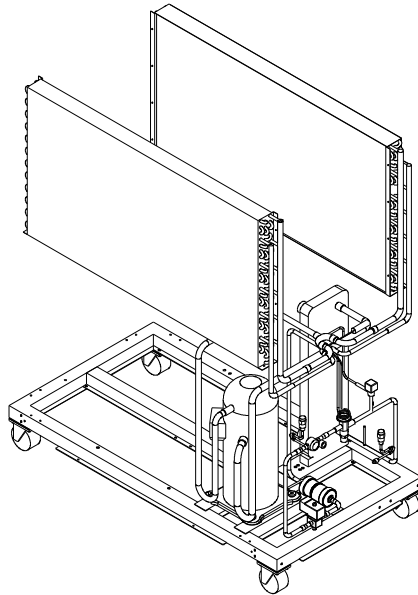
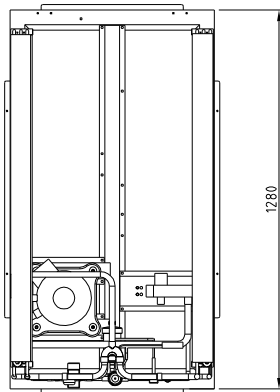
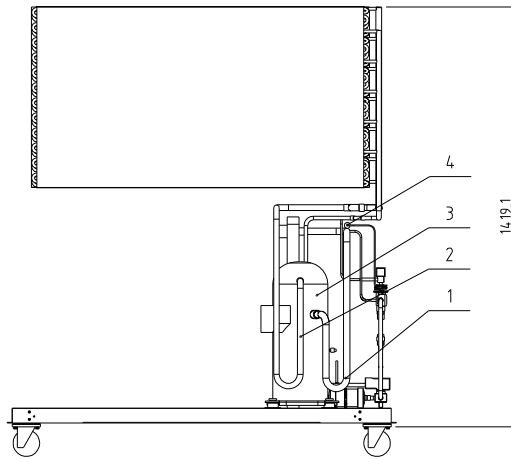
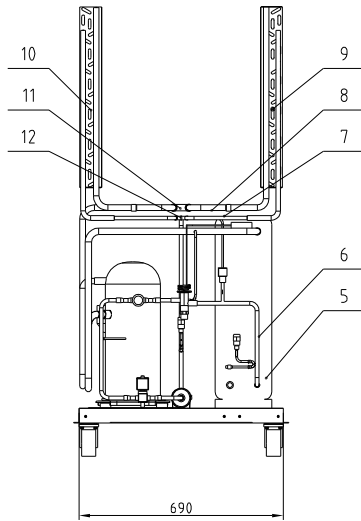
45	SIC-25A-R2-A-11	Bottom middle crossbeam	SPCC2.0	1	
44	SIC-25A-R2-A-14	Water pump bottom plate	SPCC2.0	1	
43	SIC-25A-R2-A-13	Water tank crossbeam 2	SPCC2.0	1	
42	SIC-25A-R2-A-12	Water tank crossbeam 1	SPCC2.0	1	
41	SIC-25A-R2-A-15	Plate exchange bottom plate	SPCC2.0	1	
40	SIC-25A-R2-A-10	Compressor fixing beam	SPCC2.0	2	
39	SIC-33A-R2-A-34	Top panel fixing support	SPCC2.0	2	Borrowed
38	SIC-25A-R2-A-17	Rear middle crossbeam	SPCC2.0	1	
37	SIC-25A-R2-A-25	Sealing plate under the condenser	SPCC1.0	1	
36	SIC-25A-R2-A-21	Fixed crossbeam of water filter	SPCC2.0	1	
35	SIC-25A-R2-A-20	Copper tube fixed crossbeam	SPCC2.0	1	
34	SIC-25A-R2-A-03	Right front pillar	SPCC2.0	1	
33	SIC-25A-R2-A-02	Left front pillar	SPCC2.0	1	
32	SIC-25A-R2-A-04	Left rear pillar	SPCC2.0	1	
31	SIC-33A-R2-A-38	Drainage fixed plate combination	SPCC2.0	1	Borrowed
30	SIC-25A-R2-A-05	Right rear pillar	SPCC2.0	1	
29	YW66081600000	Flat washer A grade GB/T97.1B 4x16x1.6	160HV	4	
28	YW65008000100	Standard spring washer GB/T93.8	65Mn	4	
27	YW60082000200	Hexagon bolt GB/T5783 M8x20	5.0	4	
26	SIC-33A-R2-A-18	Evaporator fixed piece	SPCC2.0	4	Borrowed
25	YW64000600300	Hexagon bolt GB/T5781 M6x20	4.8	155	
24	YW6600613000000	Standard spring washer GB/T93.6	65Mn	155	
23	YW65006000100	Flat washer A grade GB/T97.1 (6.6x12x1.6)	160HV	243	
22	YW60062000100	Hexagon nut GB/T6170 M6	5.0	88	
21	SIC-25A-R2-A-27	Water filter fixing plate	SPCC2.0	1	
20	YW030003000000	3-inch black PPR wheel middle bracket	Structural parts	2	
19	BL08102100020	Triangle plate (right) SIC-004	SPCC2.0	3	
18	YW62051000100	Large cross socket flat head screw JS1111 M5x10	4.8	27	
17	SG-S-01	Wire clamp fixing plate M25	SPCC2.0	1	Borrowed
16	SIC-25A-R2-A-16	Evaporator fixing groove	SPCC2.0	2	
15	SIC-25A-R2-A-24	Front sealing plate of condenser	SPCC1.5	1	
14	SIC-25A-R2-A-26	Sealing plate behind condenser	SPCC1.5	1	
13	SIC-25A-R2-A-19	Right middle crossbeam	SPCC2.0	1	
12	SIC-25A-R2-A-18	Left middle crossbeam	SPCC2.0	1	
11	BL08112000020	Triangle plate (left) SIC-003	SPCC2.0	3	
10	YW030003000200	3-inch black PPR wheel for activity	Structural parts	2	
9	SIC-33A-R2-A-39	Fixed plate for water refilling pipe	SPCC2.0	1	Borrowed
8	SIC-25A-R2-A-23	Fixed folding plate for inlet and outlet water pipes	SPCC2.0	2	
7	SIC-25A-R2-A-22	Fixed crossbeam for inlet and outlet water pipes	SPCC2.0	1	
6	SIC-25A-R2-A-08	Front middle crossbeam	SPCC2.0	1	
5	SIC-25A-R2-A-07	Electrical base plate	SECC1.5	1	
4	SIC-25A-R2-A-06	Control box	SPCC1.5	1	
3	YW62063500000	Large cross socket flat head screw JS1111 M6x35	4.8	4	
2	SIC-25A-R2-A-01	Meter plate	SPCC1.5	1	
1	SIC-25A-R2-A-09	Bottom frame	SPCC2.0	1	

序号	代号	名称	材质	数量	备注
			比例 1:18	数量 1	
			材质 Assembly		
			表面要求	/	
			物料号	/	

制图	版号	C	标题	SIC-25A-R2	图号	SIC-25A-R2-A-ALL
设计	核准		机架			
校对	审核					
日期	日期	20200212				



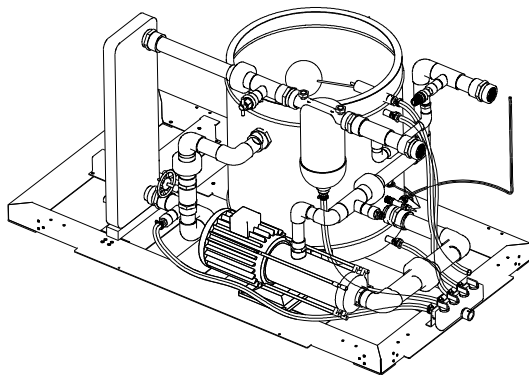
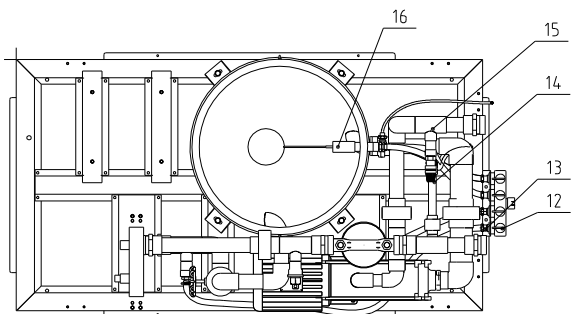
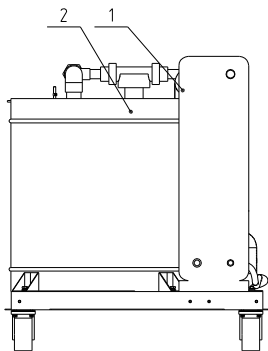
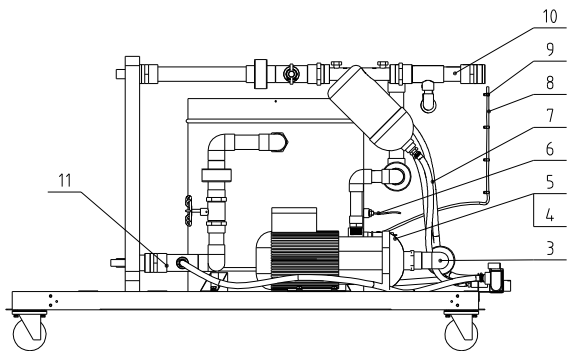
集水器固定板	排水固定板组合	20230912			
标记	更改前	更改后	更改人	日期	审核



12	YW05000500900	Y-shaped three-way pipe 5/8"	TP2Y	1	
11	YW05000700800	Y-shaped three-way pipe 7/8"	TP2Y	1	
10	SIC-25A-R2-C-02	Left finned condenser	Structure parts	1	
9	SIC-25A-R2-C-03	Right finned condenser	Structure parts	1	
8	SIC-25A-R2-C-06	Left and right condenser outlet pipes	TP2M	2	
7	SIC-25A-R2-C-07	Left and right condenser outlet pipes	TP2M	2	
6	SIC-25A-R2-C-08	Liquid pipe welding	TP2M	1	
5	YW87951000000	Plate evaporator HBL95B-10D	SUS316L	1	
4	This figure	Expansion valve temperature sensing package	TP2M	1	
3	YM70006100000	Compressor	Assembly	1	
2	SIC-25A-R2-C-05	Air exhaust pipe	TP2M	1	
1	SIC-25A-R2-C-04	Return air pipe	TP2M	1	

序号	代号	名称	材质	数量	备注
----	----	----	----	----	----

					制图		版号	B	标题	SIC-25A-R2	图号		比例	1:16	数量	1
					设计		核准		冷媒系统		SIC-25A-R2-C-ALL				材质	Assembly
(B1)		见本图		20230530	校对					信易电热机械股份有限公司 Shini Plastics Technologies, Inc.		表面要求	/			
标记	更改前	更改后	更改人	日期	审核	日期	20200212	物料号				/				



16	YW59010200000	Float switch copper 1/2 inch	Assembly	1	
15	SIC-25A-R2-P-B-02	Combination of water pump outlet pipe	Assembly	1	
14	SIC-25A-R2-B-07	Water outlet pipe bypass combination	Assembly	1	Borrowed
13	YW02182900000	stainless steel pipe clamp (B-29)	Assembly	4	
12	YW50344100100	3-gauge inlet and outlet four-way valve 1/2"	Assembly	1	
11	SIC-25A-R2-B-02	Plate exchange water pipe combination	Assembly	1	Borrowed
10	SIC-25A-R2-B-01	Combination of return water pipes	Assembly	1	Borrowed
9	YR90000022000	Ribbon	Plastic	5	
8	YR60620000100	Transparent rubber hose	PE	15M	
7	YR60051000000	Steel wire hose 1/2 inch	Assembly	3M	
6	YE90001600000	Duck billed liquid level switch	Assembly	1	Option
5	YM21440300900	Nanyuan water pump SHF4-40	Assembly	1	High voltage usage
4	YM21430300200	Nanyuan water pump SHF4-50	Assembly	1	Medium voltage usage
3	SIC-25A-R2-P-B-03	Combination of water pump inlet pipe	Assembly	1	
2	SIC-25A-R2-P-B-04	Water tank body	Assembly	1	Borrowed
1	YW87951000000	Evaporator HBL95B-100	Assembly	1	

(A1)

序号	代号	名称	材质	数量	备注
		标题 SIC-25A-R2-P	图号	比例 1:13	数量 1
		水系统	SIC-25A-R2-P-B-ALL	材质	Assembly
(A1)	YW50001200300	YW50344100100		表面要求	/
标记	更改前	更改后	更改人	物料号	/

制图

版号

A

标题

SIC-25A-R2-P

图号

SIC-25A-R2-P-B-ALL

比例

1:13

数量

1

设计

核准

日期

20230701

日期

20230227

表面要求

/

校对

审核

日期

20230701

日期

20230227

物料号

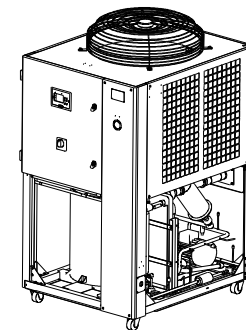
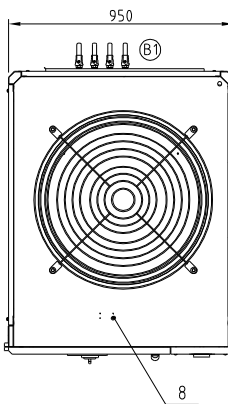
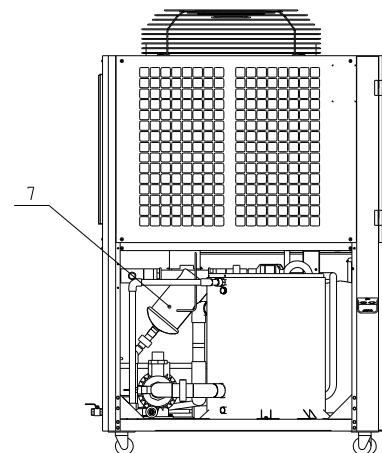
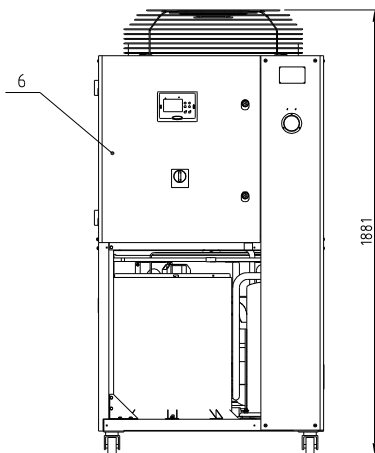
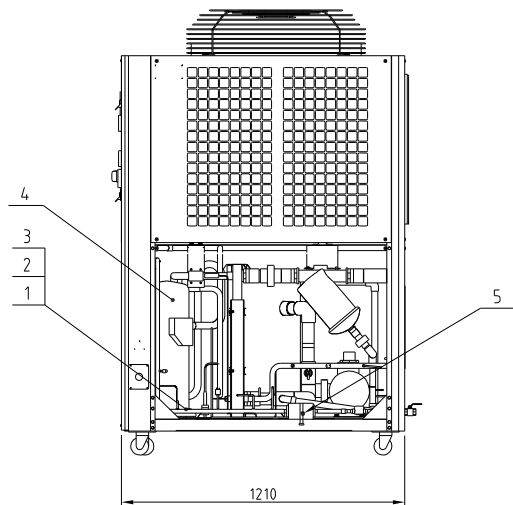
/



信易电热机械股份有限公司
Shini Plastics Technologies, Inc.

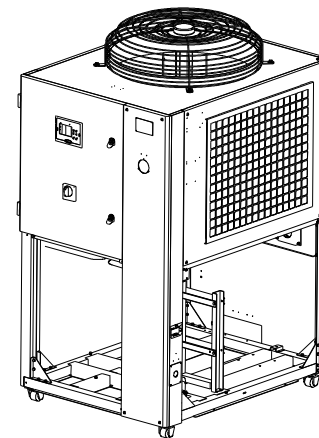
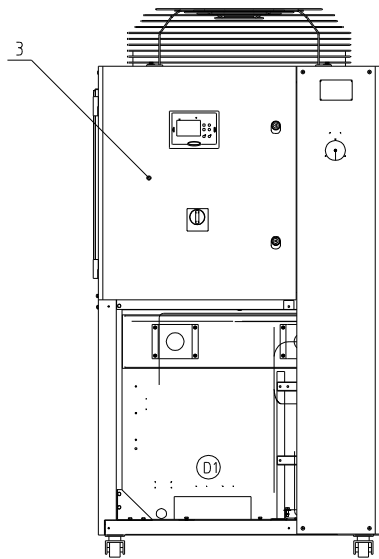
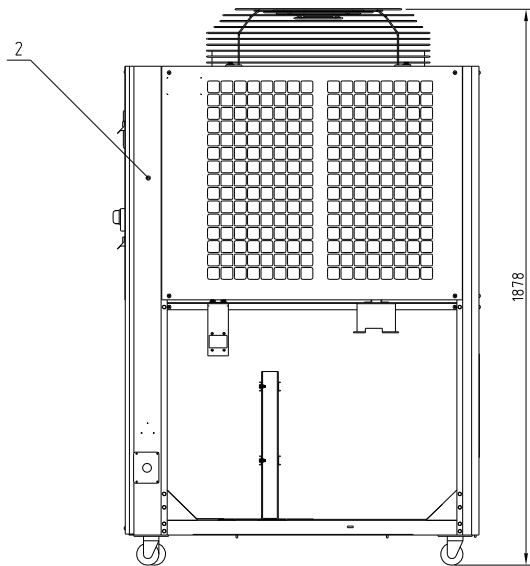
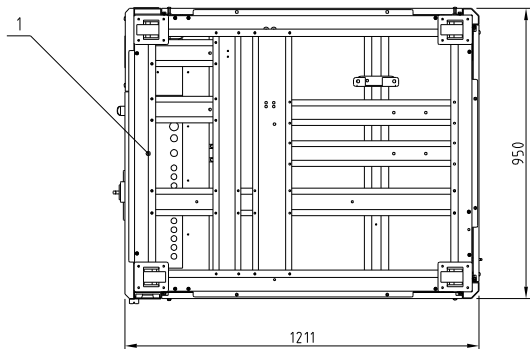
Cooling Capacity (outlet temperature 7°C)	Cooling Capacity (outlet temperature 9°C)	Cooling Capacity (outlet temperature 10°C)	Total power (middle/high pressure)	Chilled water inlet (inch)	Chilled water outlet (inch)	Drain port (inch)	Water tank refill port (inch)	Chilled water flow (L/min)	Water tank capacity (L)	Weight (kg)	Ver.
31kw	35kw	38kw	12.24kW	Rc15	Rc15	Rc1/2	Rc1/2	109	90	421	A

Ⓑ2



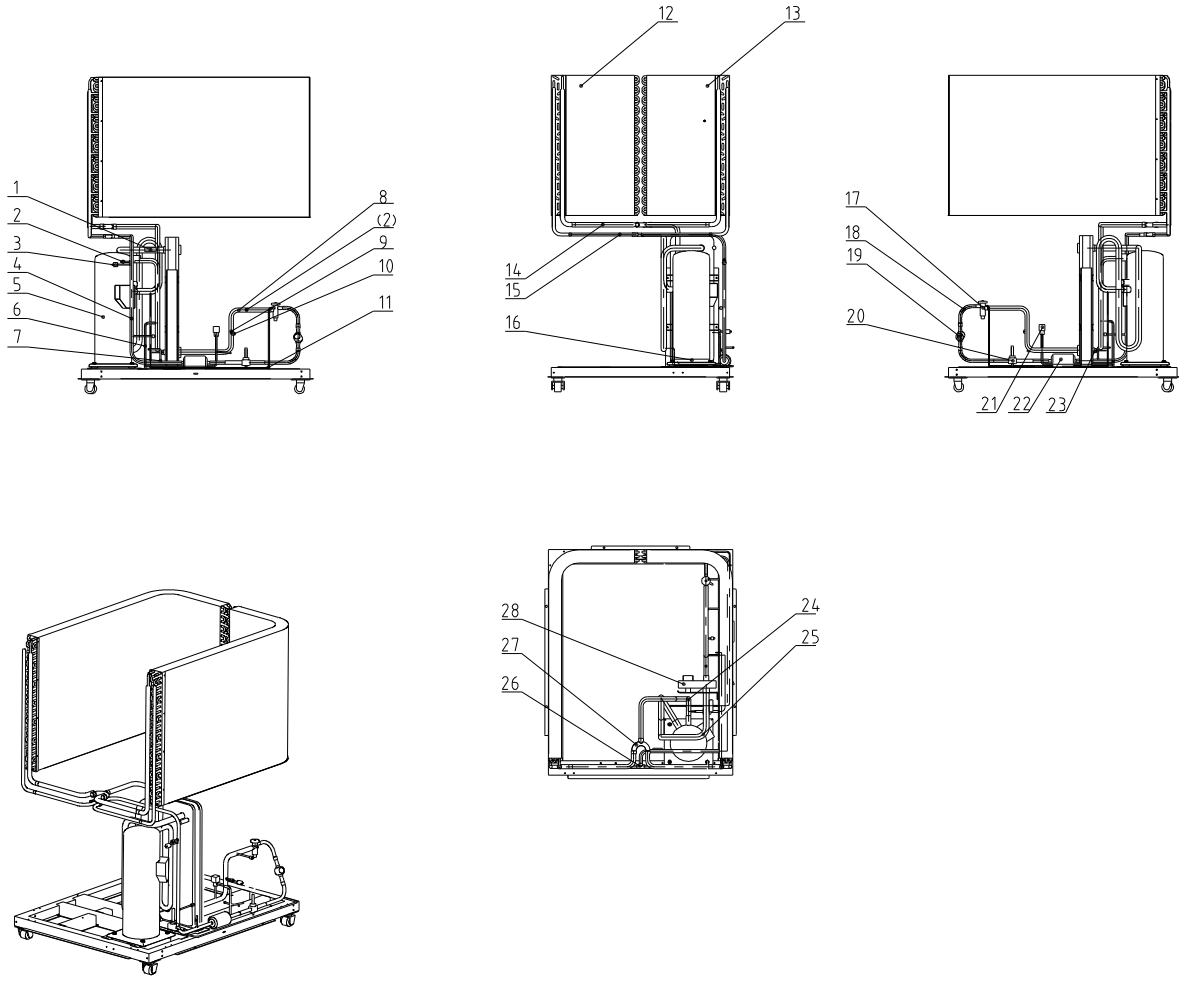
8	YP304.32000000	Fan directional label	Assembly	1	
7	SIC-33A-R2-P-B-ALL	Water system	Assembly	1	
6	SIC-33A-R2-A-ALL	Rack system	Assembly	1	Borrowed
5	YW020004.000000	Stainless steel pipe clamp (178-161)	SUS304	3	
4	SIC-33A-R2-C-ALL	Refrigerant system	Assembly	1	Borrowed
3	YW660816.000000	Flat washer	160HV	18	
2	YW650080.00100	Standard spring washer	65Mn	18	
1	YW60084.000100	Hexagon bolt M8-60	A8	4	
序号	代号	名称	材质	数量	备注

Ⓑ2	12.9/13.6kW	12.24kW	20231010	制图	版号	B	标题	SIC-33A-R2-P	图号	SIC-33A-R2-P-ALL	比例	1:20	数量	1
Ⓑ1	外购件	自制件	20231010	设计	核准		总装图				表面要求	/	材质	Assembly
标记	更改前	更改后	更改人	日期	审核	日期	20230227	信易电热机械股份有限公司 Shini Plastics Technologies, Inc.		物料号	/	/	/	/



3	SIC-33A-R2-A-ALL-03	Outer frame assembly	Assembly	1	
2	SIC-33A-R2-A-ALL-02	Upper frame combination	Assembly	1	
1	SIC-33A-R2-A-ALL-01	Bottom frame combination	Assembly	1	
序号	代号	名称	材质	数量	备注

					制图		版号	D	标题	SIC-33A-R2	图号	SIC-33A-R2-A-ALL	比例	1:16	数量	1
					设计		核准		机架整体组合							
⓪1	圆形孔	四方长条孔		20230912	校对				信易电热机械股份有限公司 Shini Plastics Technologies, Inc.				表面要求	/		
标记	更改前	更改后	更改人	日期	审核	日期	20190101			物料号	/					

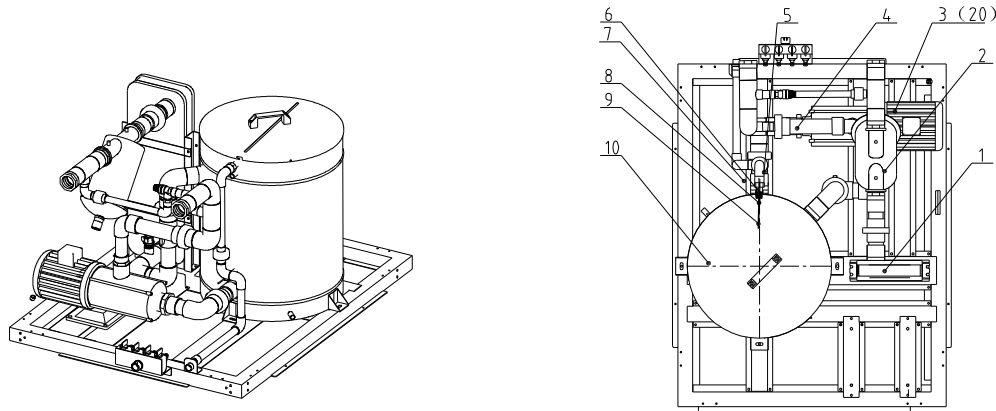
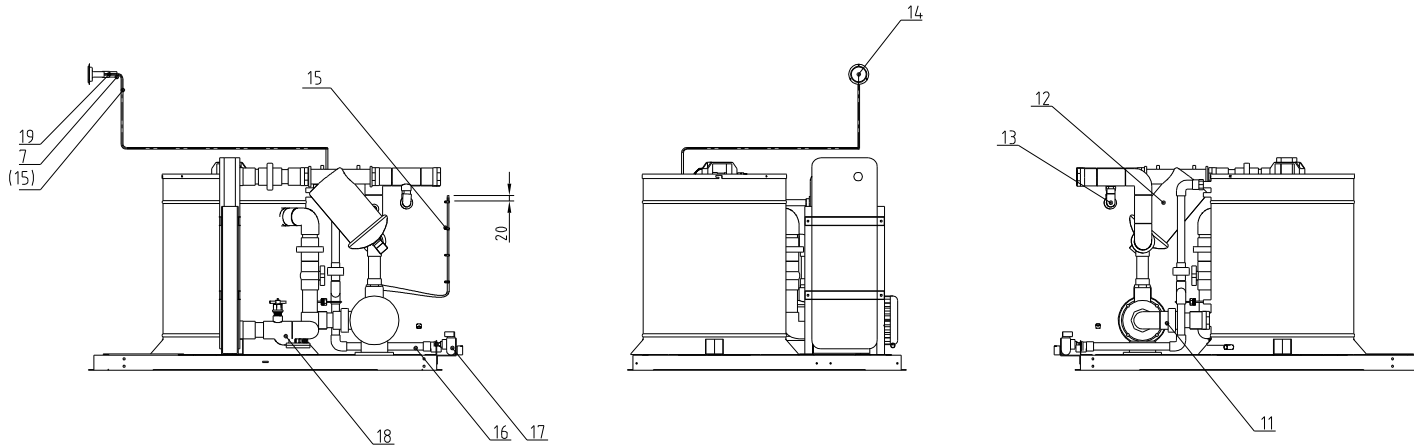


28	YW87003100000	Plate evaporator HBL95B-12D	SUS316L	1	
27	YW05000700800	Y-shaped three-way pipe 7/8"	TP2Y	1	
26	YW05000500900	Y-shaped three-way pipe 5/8"	TP2Y	1	
25	SIC-33A-R2-C-04	Compressor return air pipe	TP2M	1	
24	SIC-33A-R2-C-05	Compressor air exhaust pipe	TP2M	1	
23	YE90000023000	Temperature sensor Φ6×50	TP2M	1	
22	YW85016500100	Dry filter EK165S	Structure parts	1	
21	YE90042402100	Bypass solenoid valve FDF-LA AC2LV	Assembly	1	
20	YE90207506800	Solenoid valve 200RDT5T1AC2LV	Assembly	1	Option
19	YW85001500100	Sight glass HM-1T5E	Assembly	1	Option
18	SIC-33A-R2-C-09	Expansion valve inlet pipe	TP2M	1	
17	YW85712500000	Expansion valve BAE 7	Structure parts	1	
16	YE90243503400	Crankcase heating band (24V)	Structure parts	1	
15	SIC-33A-R2-C-07	Left and right condenser outlet pipes	TP2M	2	
14	SIC-33A-R2-C-06	Left and right condenser air inlet pipe	TP2M	2	
13	SIC-33A-R2-C-03	Right finned condenser	Structure parts	1	
12	SIC-33A-R2-C-02	Left finned condenser	Structure parts	1	
11	YS30063500000	Expansion valve equalizer line	TP2M	1	
10	YW59001400600	Copper Y-shaped joint 1/4 inch TP2Y	TP2M	2	
9	YE10002900000	Low pressure switch 0.5/0.6MPa	Structure parts	1	
8	SIC-33A-R2-C-10	Expansion valve outlet pipe	TP2M	1	
7	YS30063500000	Soft purple copper tube φ 6.35 × 0.5	TP2M	2	
6	SIC-33A-R2-C-11	Bypass valve inlet pipe	TP2M	1	
5	YM70012201600	Compressor ZP12KCE-1FD	Structure parts	1	
4	SIC-33A-R2-C-08	Filter inlet pipe	TP2M	1	
3	YE10254000300	High pressure switch 2.5/4.0MPa	Structure parts	1	
2	YW85010400300	Add liquid top needle valve 1/4 inch	TP2M	4	
1	As shown in the figure	Expansion valve temperature sensing package	TP2M	1	Structure parts

序号	代号	名称	材质	数量	备注
				1:24	数量 1
			材质	Assembly	
⑤	更改前	更改后	更改人	日期	审核
标记	更改前	更改后	更改人	日期	审核

信易电热机械股份有限公司
Shini Plastics Technologies, Inc.

制图	版号	B	标题	SIC-33A-R2	图号	SIC-33A-R2-C-ALL
设计	核准		冷媒系统			
20230530	20191011					



20	SIC-33A-R2-B-10	Water outlet ppe bypass combination	Assembly	1	Borrowed
19	BH12060701710	Joint 1/4 inch PT to 1/4 inch H	M58	1	
18	SIC-33A-R2-B-03	Plate exchange water ppe combination	Assembly	1	Borrowed
17	YW50344100100	3-gauge inlet and outlet four-way valve 1/2"	Assembly	1	
16	YR60051000000	Drainage ppe	Assembly	4	
15	YR60620000100	Transparent rubber hose	PE	15	
14	YR90000022000	Ribbon	Plastic	3	
13	YW85001000100	Pressure gauge 0-10KG (water pressure gauge)	Assembly	1	
12	YW59121400000	Joint 1/2 inch PT outer x 1/4 inch PT	Assembly	1	
11	SIC-33A-R2-B-04	Combination of water pump suction ppe	Assembly	1	Borrowed
10	SIC-33A-R2-B-07	Water tank body	Assembly	1	Borrowed
9	YW59010200000	Float switch copper 1/2"	Assembly	1	
8	YE90711000000	Water temperature probe a seven 110mm, 1/8PT	Assembly	1	
7	YW80061400200	L-shaped quick frachael connector	Assembly	3	
6	YW52010400000	Stainless steel three-way 1/4"	SUS304	1	
5	SIC-33A-R2-B-06	Combination of water refilling ppe	Assembly	1	Borrowed
4	SIC-33A-R2-B-05	Combination of water pump outlet ppe	Assembly	1	Borrowed
3	YM21830300200	Nanyuan water pump SHF8-30	Assembly	1	Medium and high voltage usage
2	SIC-33A-R2-B-02	Combination of return water pipes	Assembly	1	Borrowed
1	YW87003100000	Evaporator HBL95B-120	SUS316L	1	

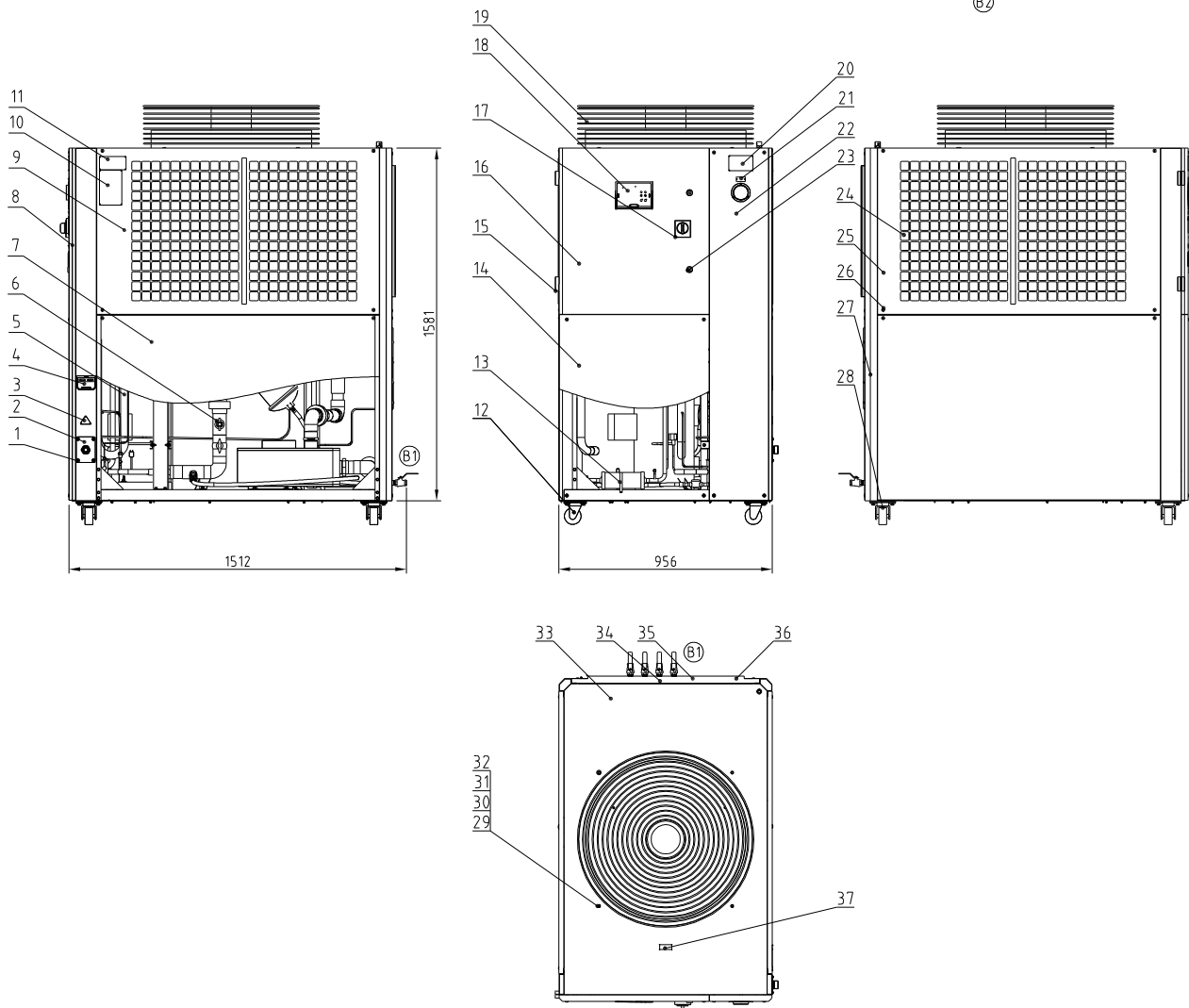
序号	代号	名称	材质	数量	备注
(A2)	YW80140600900	YW80061400200			制图
(A1)	YW50001200300	YW50344100100			设计
标记	更改前	更改后	更改人	日期	审核

版号	A	标题	SIC-33A-R2-P	图号	SIC-33A-R2-P-B-ALL
核准		水系统			
日期	20230227	SHINI 信易电热机械股份有限公司		比例	1:16
		Shini Plastics Technologies, Inc.		数量	1
				表面要求	/
				物料号	/



Cooling Capacity (outlet temperature 70)	Cooling Capacity (outlet temperature 90)	Cooling Capacity (outlet temperature 95)	Total power (middle/high pressure)	Chilled water inlet (inch)	Chilled water outlet (inch)	Drain port (inch)	Water tank refill port (inch)	Chilled water flow (L/min)	Water tank capacity (L)	Weight (kg)	Ver
4.6kw	5.0kw	5.6kw	15.25/16.05kW	Rc1.5	Rc1.5	Rc1/2	Rc1/2	161.6	137	520	A

Ⓑ2

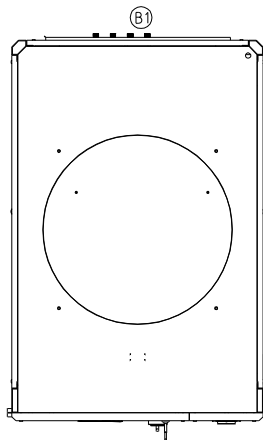
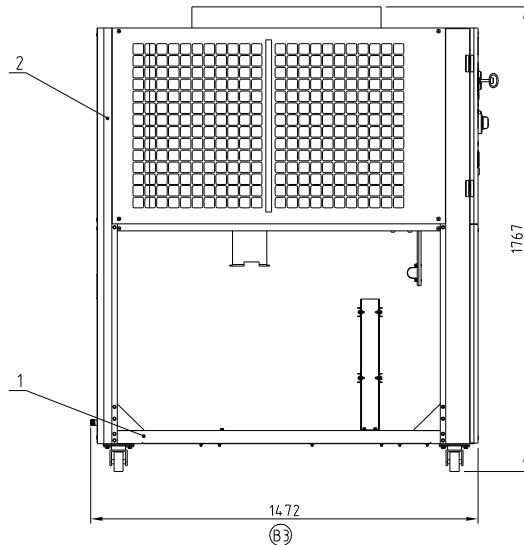
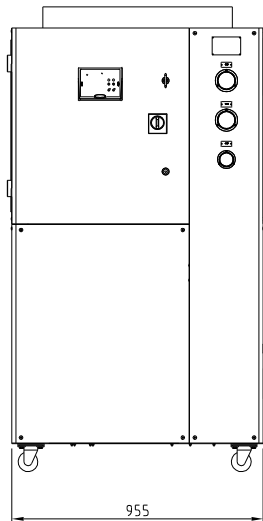


37	YP30432000000	Fan directional label	2024	1	
36	YP30352100000	Rear aluminum plate label	2024	1	
35	SIC-49A-R2-ALL-06	Rear upper panel	SPCC15	1	Borrowed
34	SIC-49A-R2-ALL-07	Rear lower panel	SPCC15	1	Borrowed
33	SIC-49A-R2-ALL-08	Top plate	Welding parts	1	Borrowed
32	YW64001000100	Hexagonal nut M10	4.0	4	
31	YW66102000100	Flat washer 11x20x2	140HV	4	
30	YW65010000000	Standard spring washer 10	65Mn	4	
29	YW60102500000	Hexagon bolt M10x35	12.9	4	
28	YW03000300000	Black rubber wheel 3 inches/brake applied	Assembly	2	
27	SIC-49A-R2-P-A-ALL	Rack overall combination	Assembly	1	
26	YW62063500000	Large flat head screw M6x35	4.8	32	
25	SIC-49A-R2-ALL-03	Left upper side panel	SPCC15	1	Borrowed
24	SIC-49A-R2-ALL-09	Anti-dust screen	PA66	2	Borrowed
23	YW00816100000	Door lock (MSB16)	Assembly	2	
22	SIC-49A-R2-ALL-10	Anti-dust screen	PA66	2	Borrowed
21	YP30425000000	Pump pressure label	2024	1	
20	YP30804900700	Aluminum plate nameplate (small universal to the group)	2024	1	
19	YM60671000600	Fan A60710S-70M-VW0L	Assembly	1	
18	YE80317506700	SF317503A 01Bump controller	Assembly	1	
17	YE41106200000	Breaker interlock	Assembly	1	
16	SIC-49A-R2-ALL-01	Front upper panel	SPCC15	1	Borrowed
15	YW06203100400	Large hinge (L203-11left)	Assembly	2	
14	SIC-49A-R2-ALL-02	Front lower panel	SPCC15	1	Borrowed
13	YW02000400000	Stainless steel tube bundle 4 inches	SUS304	1	
12	YW03000300200	Flexible castor 3"	Structural parts	2	
11	YP31018600000	Notice label	Structural parts	1	
10	YP31115800400	Water chiller main & repair Alu label	Structural parts	1	
9	SIC-49A-R2-ALL-05	Upper right side panel	SPCC15	1	Borrowed
8	SIC-49A-R2-A-01	Meter plate	SPCC15	1	Borrowed
7	SIC-49A-R2-ALL-04	Lower side plate	SPCC15	2	Borrowed
6	SIC-49A-R2-P-B-ALL	Water system	Assembly	1	
5	SIC-49A-R2-C-ALL	Refrigerant system	Assembly	1	Borrowed
4	YR40048500000	Shell RS485 Ver.0	Assembly	1	
3	YP31034600000	Triangle power 3x660V	Structural parts	1	
2	BL02010000020	Fixing board of wire clamps M32	SPCC15	1	
1	YW62051000100	Cross recessed flat head screw M5x10	4.8	4	

序号	代号	名称	材质	数量	备注
			比例 1:20	数量 1	
			材质	Assembly	
			表面要求	/	
			物料号	/	


				制图	版号	B	标题	SIC-49A-R2-P	图号	SIC-49A-R2-P-ALL
Ⓑ2	18.22/19.02kW	15.25/16.05kW	20231010	设计	核		总装图			
Ⓑ1	外购件	自制件	20231010	校对	准					
标记	更改前	更改后	更改人	日期	审核	日期	20230227			

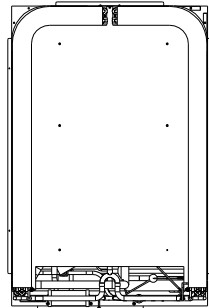
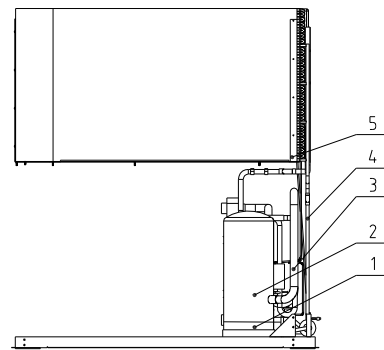
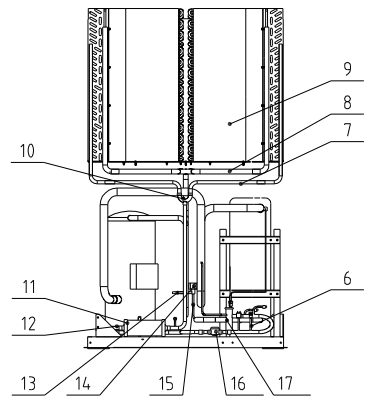
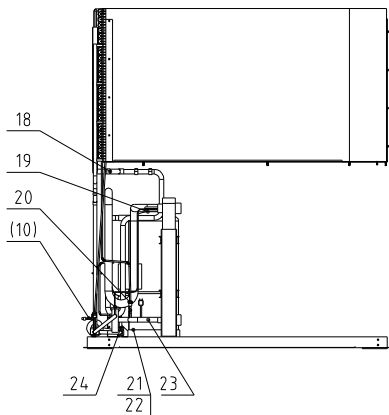




2	SIC-49A-R2-A-ALL-02	Upper frame combination	Assembly	1	Borrowed
1	SIC-49A-R2-P-A-ALL-01	Bottom frame combination	Assembly	1	
序号	代号	名称	材质	数量	备注

③	1490	1472		20231010	制图		版号	B
②	外框架组合	取消		20231010	设计		核	
①	外购件	自制件		20231010	校对		准	
标记	更改前	更改后	更改人	日期	审核		日期	20230303

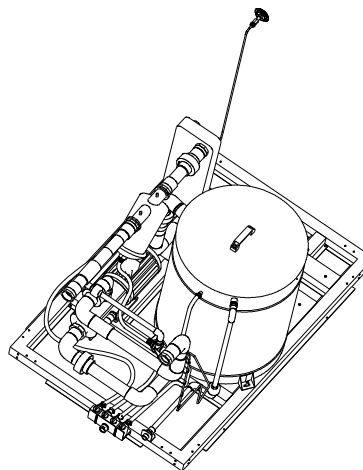
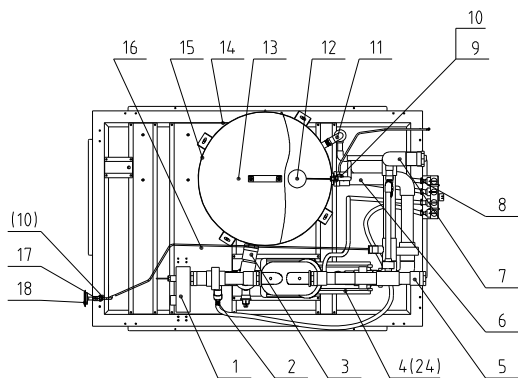
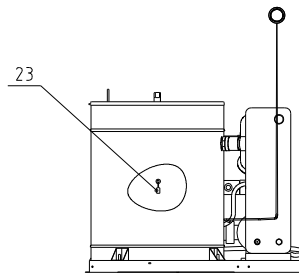
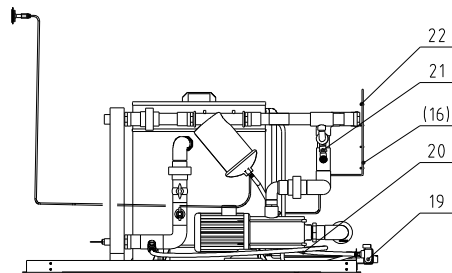
标题	SIC-49A-R2-P 机架整体组合	图号	SIC-49A-R2-P-A-ALL	比例	1:18	数量	1
 信易电热机械股份有限公司 Shini Plastics Technologies, Inc.				表面要求	/		
				物料号	/		



24	YE90207506800	liquid pipe solenoid valve 280R0715T	Assembly	1	AC24VOption
23	SIC-49A-R2-C-10	Expansion valve outlet pipe	TP2M	1	
22	YW65008000100	Standard spring washer 8	4.8	4	
21	YW60084.000100	Hexagon bolt M8x40	4.8	4	
20	BH120004.01110	Copper horn nut 1/2"	H58	4	
19	This figure	thermometer bulb	SPCC2.0	1	
18	YW05000700800	Y-shaped copper pipe three-way 3/8"	TP2M	1	
17	YW85125800000	Expansion valve TFES 12 ZAA	Assembly	1	
16	YW85001500100	Sight glass HMI-11T5	Assembly	1	Option
15	SIC-49A-R2-C-12	Bypass valve outlet pipe	TP2M	1	
14	YE900624.02100	Bypass solenoid valve FDF-6A	Assembly	1	AC24V
13	SIC-49A-R2-C-11	Bypass valve inlet pipe	TP2M	1	
12	SIC-49A-R2-C-09	Filter outlet pipe	TP2M	1	
11	YW85030500100	Dry filter EK3055	Assembly	1	
10	YW05000500900	Y-shaped copper pipe 5/8"	TP2M	1	
9	SIC-49A-R2-C-04	Right condenser	Assembly	1	
8	SIC-49A-R2-C-06	Left and right condenser air inlet pipe	TP2M	2	
7	SIC-49A-R2-C-07	Left and right condenser outlet pipes	TP2M	2	
6	YW850104.00300	Add liquid top needle valve 1/4 inch	TP2M	4	
5	SIC-49A-R2-C-03	Left condenser	Assembly	1	
4	SIC-49A-R2-C-08	Filter inlet pipe	TP2M	1	
3	SIC-49A-R2-C-04	Compressor return air pipe	TP2M	1	
2	YM70018200000	Compressor 2P182KCE-TFD	Assembly	1	
1	YE90715202500	Crankcase heating band	Assembly	1	

序号 代号 名称 材质 数量 备注

					制图	版号	C	标题	SIC-49A-R2	图号	SIC-49A-R2-C-ALL	比例	1:22	数量	1
					设计	核准		冷媒系统					材质	Assembly	
Ⓢ		见本图		20230530	校对				信易電熱機械股份有限公司 Shini Plastics Technologies, Inc.		表面要求	/			
标记	更改前	更改后	更改人	日期	审核	日期	20190301				物料号	/			



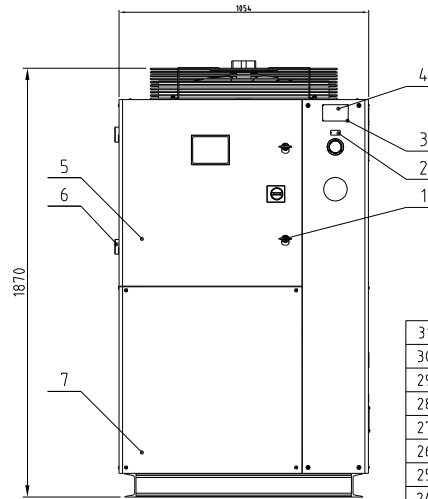
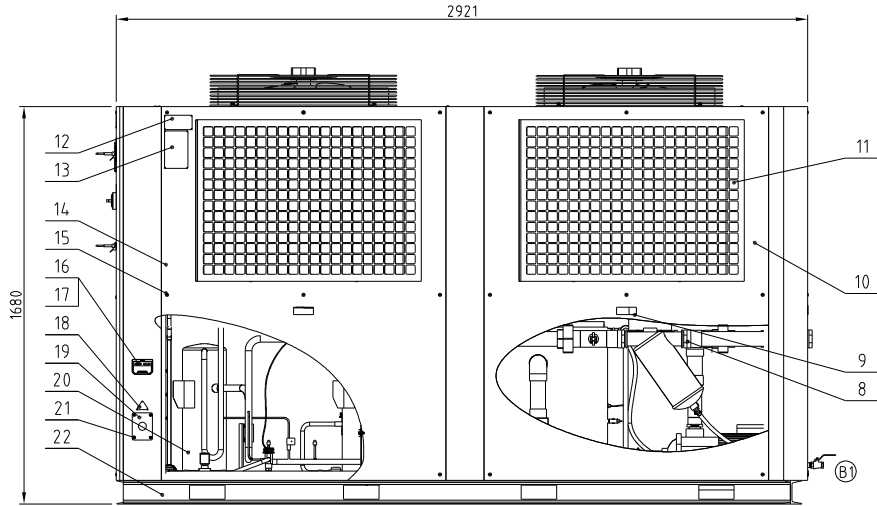
24	YM2184.03004.00	Nanyuan water pump SHF8-40	Assembly	1	High voltage usage
23	YE90001600000	Side mounted plastic duckbill liquid level switch M16	Assembly	1	Option
22	SIC-49A-R2-B-09	Water outlet pipe bypass combination	Assembly	1	Borrowed
21	YR90000022000	Ribbon	Plastic	3	
20	YR60051000000	Drainage pipe (steel wire hose)	Assembly	4	
(A1)	19	YW5034.4100100	3-gauge inlet and outlet four-way valve 1/2"	Assembly	1
18	YW85001000100	Pressure gauge 0~16KG (water pressure gauge)	Assembly	1	
17	BH12060701710	Joint 1/4 inch PT to 1/4 inch H	M58	1	
16	YR60620000100	Transparent rubber hose	PE	15	
15	SIC-49A-R2-B-07	Water tank body	Assembly	1	Borrowed
14	YP6010104.0000	Rubber insulation cotton		2	
13	SIC-49A-R2-B-08	Water tank cover	SUS304	1	Borrowed
12	YW59010200000	float switch copper 1/2"	Assembly	1	
11	SIC-49A-R2-B-06	Combination of water refilling pipe	Assembly	1	Borrowed
(A2)	10	YW800614.00200	L-shaped quick fracture connector	Assembly	3
9	YW520104.00000	Stainless steel three-way 1/4"	Assembly	1	
8	YW02182900000	stainless steel pipe clamp 118-291	SUS303	8	
7	SIC-49A-R2-B-05	Combination of water pump outlet pipe	Assembly	1	Borrowed
6	SIC-49A-R2-B-04	Combination of water pump suction pipe	Assembly	1	Borrowed
5	SIC-49A-R2-B-02	Combination of return water pipes	Assembly	1	Borrowed
4	YM21830300200	Nanyuan water pump SHF8-30	Assembly	1	Medium voltage usage
3	SIC-49A-R2-B-03	Plate exchange water pipe combination	Assembly	1	Borrowed
2	BH12121600010	Copper joint 1/2"	M58	1	
1	YW874.901000000	Evaporator HBL958-18D	SUS316L	1	

序号	代号	名称	材质	数量	备注
(A2)	YW8014.0600900	YW800614.00200		20230701	制图
(A1)	YW50001200300	YW5034.4100100	黄志璠	20230701	设计
标记	更改前	更改后	更改人	日期	审核
版号		A		标题	SIC-49A-R2-P
核准				图号	SIC-49A-R2-P-B-ALL
日期		20230302		比例	1:20
				数量	1
				材质	Assembly
				表面要求	/
				物料号	/



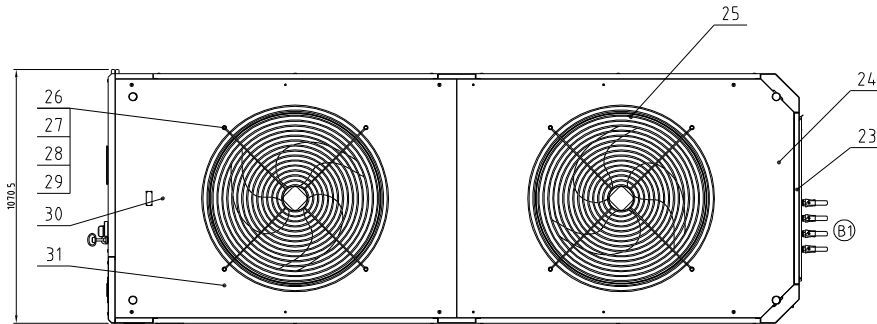
Cooling Capacity (heater temperature 70)	Cooling Capacity (heater temperature 70)	Cooling Capacity (heater temperature 70)	Total power (low/high pressure)	Chilled water inlet (inch)	Chilled water outlet (inch)	Drain port (inch)	Water tank refill port (inch)	Chilled water flow (L/min)	Water tank capacity (L)	Weight (kg)	Ver
60kw	65kw	76kw	20.28/21.08kW	Rc2	Rc2	Rc1/2	Rc1/2	217.6	137	910	A

ⓑ

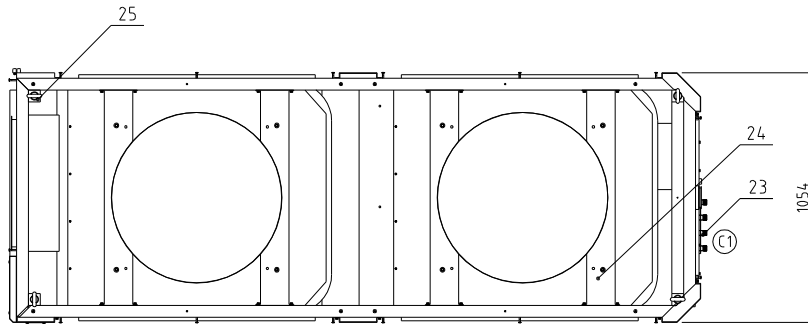
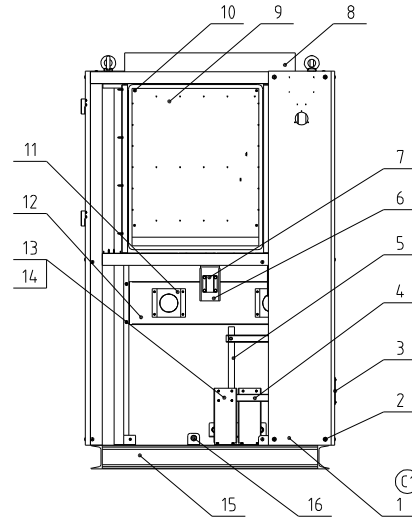
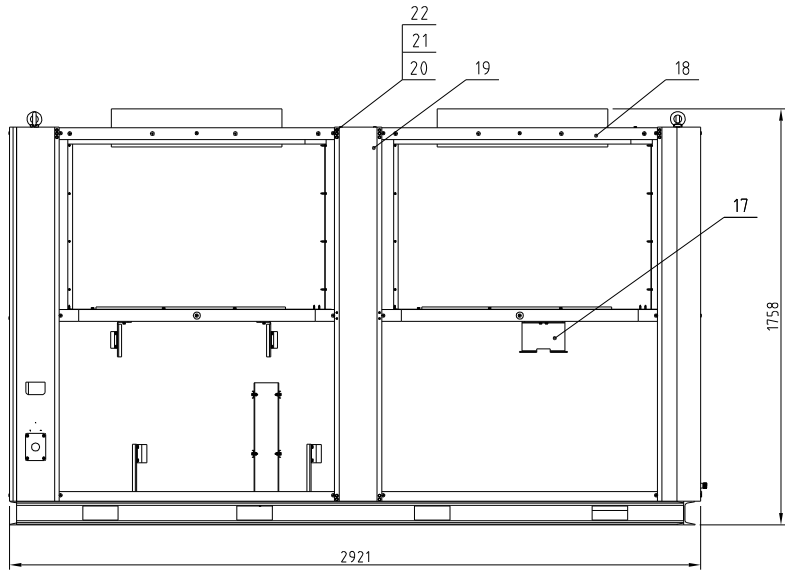


31	SIC-66A-R2-ALL-06	Front top plate	SPCC15	1	Borrowed
30	YP30432000000	Fan directional label	202L	1	
29	YW64001000100	Hexagonal nut M10	4.0	4	
28	YW66102000100	Flat washer 11x20x2	1L0HV	4	
27	YW65010000000	Standard spring washer 10	65Mn	4	
26	YW60102500000	Hexagon bolt M10x35	12.9	4	
25	YM60671000600	Fan A6D7H5-7DM-VW04	Assembly	2	
24	SIC-66A-R2-ALL-07	Rear Top plate	SPCC15	1	Borrowed
23	SIC-66A-R2-ALL-04	Rear plate assembly	SPCC15	1	Borrowed
22	SIC-66A-R2-A-ALL	Rack overall combination	Assembly	1	Borrowed
21	YW62051000100	Cross recessed flat head screw M5x10	4.8	4	
20	SIC-66A-R2-C-ALL	Refrigerant system	Assembly	1	Borrowed
19	BL50290000020	Fixing board of wire clamps PG29	SPCC15	1	
18	YP31034600000	Triangle power 3x460V	Structural parts	1	
17	YR40048500000	Shell RS485 Ver 0	Assembly	1	
16	YE90048501200	Communication interface board RS-485	Assembly	1	
15	YW62063500000	Large flat head screw M6x35	4.8	4.6	
14	SIC-66A-R2-ALL-02	Right front side plate assembly	SPCC15	1	Borrowed
13	YP31115800400	Cold water machine maintenance aluminum plate label	Structural parts	1	
12	YP31018600000	Noise label	Structural parts	1	
11	SIC-66A-R2-ALL-01/02	Anti-dust screen	PA66	4	Borrowed
10	SIC-66A-R2-ALL-03	Right rear side plate assembly	SPCC15	3	Borrowed
9	YR40914040000	Plastic trapezoidal handle 90x40	Assembly	5	
8	SIC-66A-R2-P-B-ALL	Water system	Assembly	1	
7	SIC-98A-R2-ALL-02	Front lower panel	SPCC15	1	Borrowed
6	YW06203100400	Large hinge CL203-11ef11	Assembly	2	
5	SIC-98A-R2-ALL-01	Front upper panel	SPCC15	1	Borrowed
4	YP30804900700	Aluminum plate nameplate (small universal to the group)	202L	1	
3	YW69020500000	Rivets GB/T 827 2x5	4.8	27	
2	YP30425000000	Pump pressure label	202L	1	
1	YW00816100000	Door lock (MS816)	Assembly	2	

序号 代号 名称 材质 数量 备注



ⓑ	25/25.8kw	20.28/21.08kW	20231010	制图	版号	B	标题	SIC-66A-R2-P	图号	SIC-66A-R2-P-ALL	比例	1:20	数量	1	备注
ⓑ	外购件	自制件	20231010	设计	核准		总装图						材质	Assembly	
ⓑ	更改前	更改后	更改人	日期	审核	日期							表面要求	/	
标记	更改前	更改后	更改人	日期	审核	日期	20230227	SHINI 信易电热机械股份有限公司 Shini Plastics Technologies, Inc.					物料号	/	

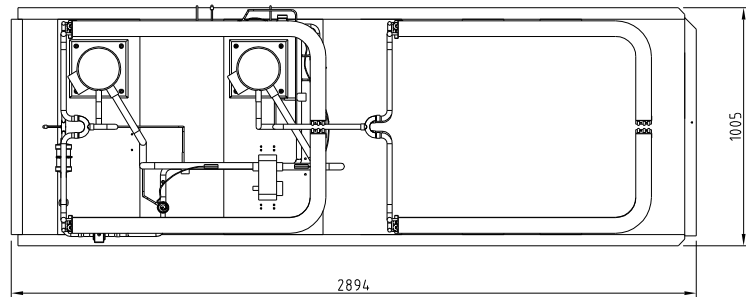
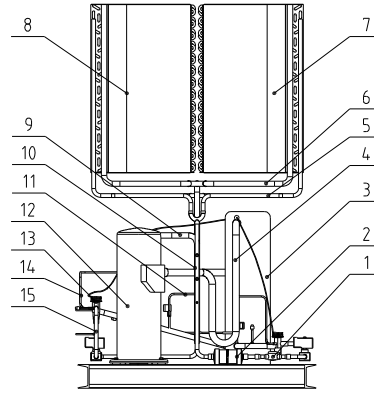
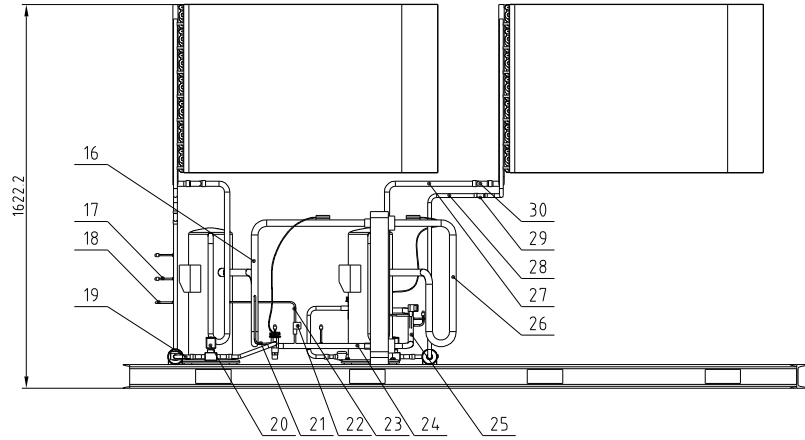


25	SIC-48A-R2-A-19	Davit	Q235A	2	Borrowed
24	SIC-98A-R2-A-24	Fan fixing beam 1	SPCC30	4	Borrowed
23	SIC-33A-R2-A-38	Drainage fixed plate combination	SPCC20	1	Borrowed
22	YW66061300000	Flat washer A grade 6	4.8	20	
21	YW65006000100	Standard spring washer 6	4.8	20	
20	YW60062000100	Hexagon bolt M6x20	4.8	20	
19	SIC-98A-R2-A-05	Right middle pillar	SPCC30	1	Borrowed
18	SIC-98A-R2-A-23	Top right crossbeam	Q235A	1	Borrowed
17	SIC-98A-R2-A-18	Water filter fixing plate	SPCC30	1	Borrowed
16	SIC-33A-R2-A-39	Fixed plate for water refilling pipe	Assembly	1	Borrowed
15	SIC-66A-R2-A-ALL-01	Frame welding diagram	Assembly	1	
14	SIC-66A-R2-A-10	Fixation of return air pipe	SPCC30	2	
13	SIC-49A-R2-A-30	Fixing clip for return air pipe	SPCC10	2	Borrowed
12	SIC-98A-R2-A-21	Fixed crossbeam for inlet and outlet water pipes	SPCC30	1	Borrowed
11	SIC-98A-R2-A-20	Fixed folding plate for inlet and outlet water pipes	SPCC20	2	Borrowed
10	SIC-66A-R2-A-09	Control box	SPCC15	1	
9	SIC-98A-R2-A-10	Electrical base plate	SECC15	1	Borrowed
8	SIC-66A-R2-A-08	Condenser cover plate	SPCC20	2	
7	SIC-49A-R2-A-31	Exhaust pipe fixing clip	SPCC10	4	Borrowed
6	SIC-98A-R2-A-12	Fixed exhaust pipe	SPCC30	2	Borrowed
5	SIC-66A-R2-A-14	Evaporator fixing groove	SPCC30	2	
4	SIC-98A-R2-A-15	Evaporator fixed crossbeam	SPCC15	4	Borrowed
3	BL02010000020	Wire fixture fixed plate	4.8	1	Borrowed
2	YW62063500000	Large flat head screw M6x35	4.8	4	
1	SIC-98A-R2-A-01	Meter plate	SPCC15	1	Borrowed

序号	代号	名称	材质	数量	备注
	SIC-66A-R2	机架	SIC-66A-R2-A-ALL	1	
			比例 1:20	数量	1
			表面要求	材质	焊接件
			物料号	表面要求	RAL7016
					/

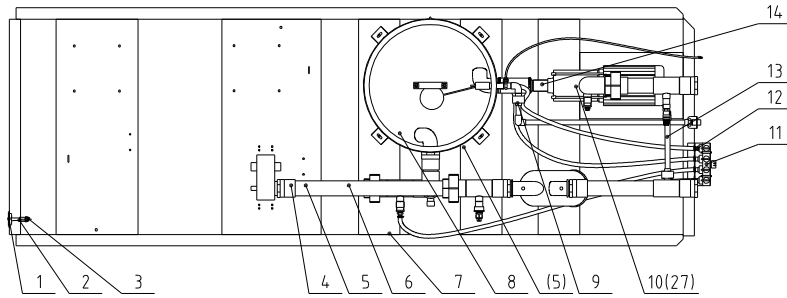
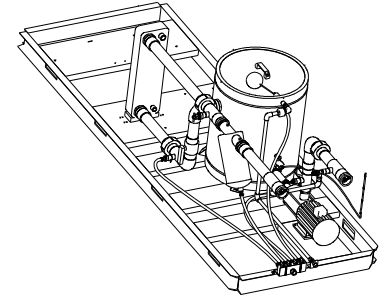
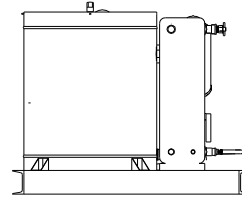
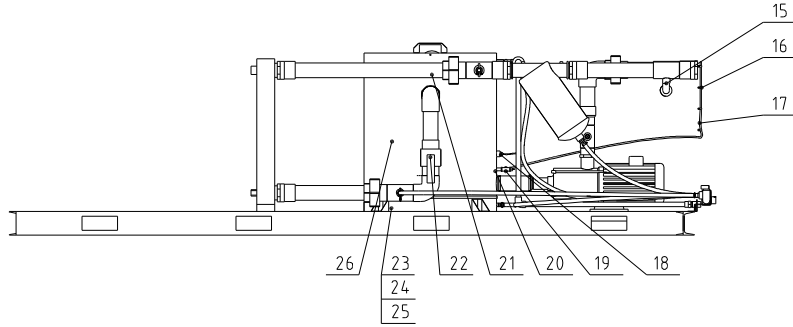
制图	设计	校对	审核	制图日期	设计日期	审核日期	制图人	设计人	审核人
				20230912					
标记	更改前	更改后	更改人	日期	日期	日期			
①	分水器固定板	排水固定板组合							





30	YW05000700800	Y-shaped three-way pipe 3/8"	Assembly	2	
29	YW05000500900	Y-shaped three-way pipe 5/8"	Assembly	2	
28	SIC-66A-R2-C-14	Rear filter inlet pipe	TP2M	1	Borrowed
27	SIC-66A-R2-C-11	Rear compressor air exhaust pipe	TP2M	1	Borrowed
26	SIC-66A-R2-C-12	Rear compressor return air pipe	TP2M	1	Borrowed
25	SIC-66A-R2-C-15	Rear expansion valve outlet pipe	TP2M	1	Borrowed
24	SIC-66A-R2-C-07	Front expansion valve outlet pipe	TP2M	1	Borrowed
23	SIC-66A-R2-C-10	Front compressor bypass pipe	TP2M	1	Borrowed
22	YE90042402100	Bypass safety valve FDF-LA	Assembly	2	AC24V
21	SIC-66A-R2-C-09	Front compressor balance pipe	TP2M	1	Borrowed
20	YE90207506800	liquid pipe solenoid valve 200R07151	Assembly	2	Option AC24V
19	SIC-66A-R2-C-07	Front expansion valve inlet pipe	TP2M	1	Borrowed
18	YS30063500000	Ø 6 copper pipe	Assembly	2	
17	YW85010400300	Add liquid top needle valve 1/4 inch	Assembly	4	
16	SIC-66A-R2-C-03	Front compressor return air pipe	TP2M	1	Borrowed
15	SIC-66A-R2-C-14	Rear expansion valve inlet pipe	Assembly	1	Borrowed
14	SIC-66A-R2-C-16	Rear compressor equalization tube	TP2M	1	Borrowed
13	YW85712500000	Expansion valve BAE 7	TP2M	2	
(A1) 12	YM70012201700	Compressor ZP12KCE-1F53	Assembly	2	
11	SIC-66A-R2-C-17	Rear compressor bypass pipe	TP2M	1	Borrowed
10	SIC-66A-R2-C-06	Front filter inlet pipe	TP2M	1	Borrowed
9	SIC-66A-R2-C-02	Front compressor air exhaust pipe	TP2M	1	Borrowed
8	SIC-33A-R2-C-02	Left finned condenser	TP2M	2	Borrowed
7	SIC-33A-R2-C-03	Right finned condenser	TP2M	2	Borrowed
6	SIC-66A-R2-C-04	Condenser air inlet pipe	TP2M	4	Borrowed
5	SIC-66A-R2-C-05	Condenser outlet pipe	TP2M	4	Borrowed
4	SIC-66A-R2-C-03	Front compressor return air pipe	TP2M	1	Borrowed
3	SIC-66A-R2-C-01	Plate evaporator HBL95B	Assembly	1	Borrowed
2	YW85016500100	Dry filter EK1655	Assembly	2	
1	YW85001500100	Sight glass HM-11T5E	Assembly	2	Option
序号	代号	名称	材质	数量	备注

				制图		版号	A	标题	SIC-66A-R2-P	图号	SIC-66A-R2-P-C-ALL-01	比例	1:20	数量	1
				设计		核准			冷媒系统(230V)				材质	Assembly	
(A1)	YM70012201600	YM70012201700		20230701	校对				信易电热机械股份有限公司 Shini Plastics Technologies, Inc.		表面要求	/			
标记	更改前	更改后	更改人	日期	审核	日期	20230227				物料号	/			



27	YM21123001200	Nanyuan water pump SHF12-30	Assembly	1	High voltage usage
26	SIC-66A-R2-P-B-03	Water tank body	Assembly	1	
25	YW66082200100	Large washer C grade 8.4 Longzine	4.8	8	
24	YW65008000100	Standard spring washer 8	4.8	8	
23	YW60082000200	Hex bolt M8*20 Longzine	4.8	8	
22	SIC-66A-R2-B-02	Combination of return water pipes	Assembly	1	Borrowed
21	YW59010200000	Float switch copper 1/2"	Assembly	1	
20	This figure	Water temperature probe	Assembly	1	
19	YW52010400000	Stainless steel three-way 1/4"	Assembly	1	
18	YE90001600000	Side mounted plastic duckbill liquid level switch M16	Assembly	1	
17	YR60051000000	Steel wire hose 1/2"	Assembly	2.5M	
16	YR90000022000	Ribbon	Plastic	3	
15	SIC-66A-R2-B-06	Water outlet pipe bypass combination	Assembly	1	Borrowed
14	SIC-66A-R2-B-04	Water suction pipe insert	SUS304	1	Borrowed
13	SIC-66A-R2-P-B-02	Water outlet pipe combination	Assembly	1	
12	YW02182900000	stainless steel pipe clamp (18-29)	SUS303	8	
11	YW50344100100	3-gauge inlet and outlet four-way valve 1/2"	Assembly	1	
10	YM21122001300	Nanyuan water pump SHF12-20	Assembly	1	Medium voltage usage
9	YR60051000000	Transparent rubber hose	Assembly	1	
8	SIC-49A-R2-B-08	Water tank cover	SUS304	1	Borrowed
7	YR60051000000	Steel wire hose	Assembly	4.5M	
6	SIC-66A-R2-B-02	Combination of return water pipes	Assembly	1	Borrowed
5	YP60101040000	Rubber insulation cotton	Assembly	3	
4	YW87006601200	Evaporator HBL95B-112-121D	SUS316L	1	
3	YW80061400200	L-shaped quick fraiteal connector	Assembly	2	
2	BH12060701710	Joint 1/4 inch PT to 1/4 inch H	H58	2	
1	YW85001000100	Pressure gauge 0-10KG (water pressure gauge)	Assembly	1	

(A1)

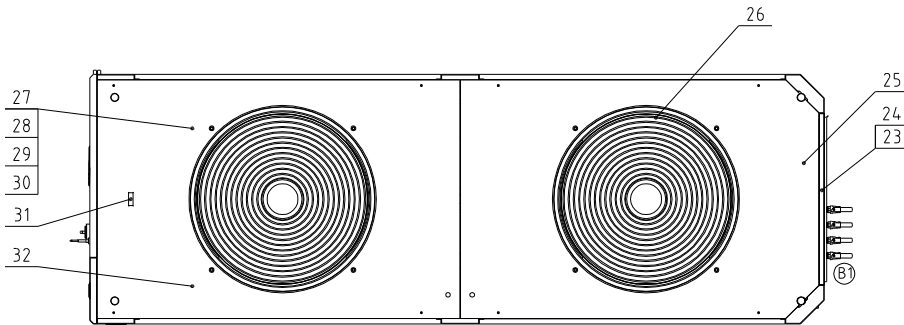
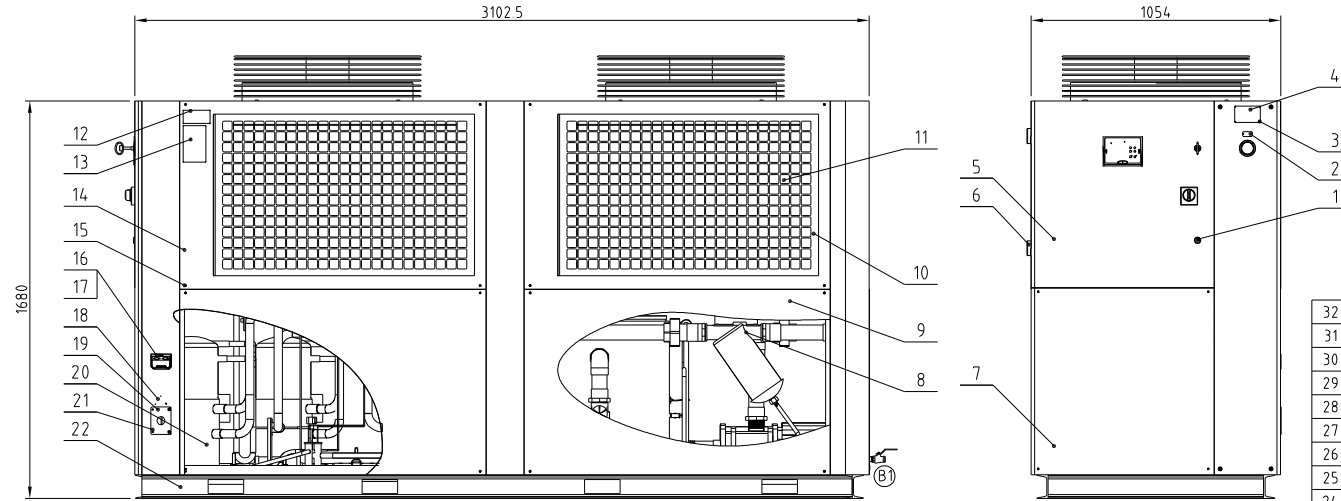
(A2)

序号	代号		名称		材质	数量	备注
(A2)	YW80140600900	YW80061400200	20230701	制图			
(A1)	YW50001200300	YW50344100100	20230701	设计			
标记	更改前	更改后	更改人	日期	审核	日期	20230227

图号	SIC-66A-R2-P	图号	SIC-66A-R2-P-B-ALL
标题	水系统		
比例	1:20	数量	1
表面要求			材质 Assembly
物料号			/



Cooling Capacity (outlet temperature 7℃)	Cooling Capacity (outlet temperature 9℃)	Cooling Capacity (outlet temperature 9.5℃)	Total power (middle/high pressure)	Chilled water inlet (inch)	Chilled water outlet (inch)	Drain port (inch)	Water tank refill port (inch)	Chilled water flow (L/min)	Water tank capacity (L)	Weight (kg)	Ver.
88kw	93kw	109kw	316/33.6kW	Rc2	Rc2	Rc1/2	Rc1/2	323.2	137	1110	A

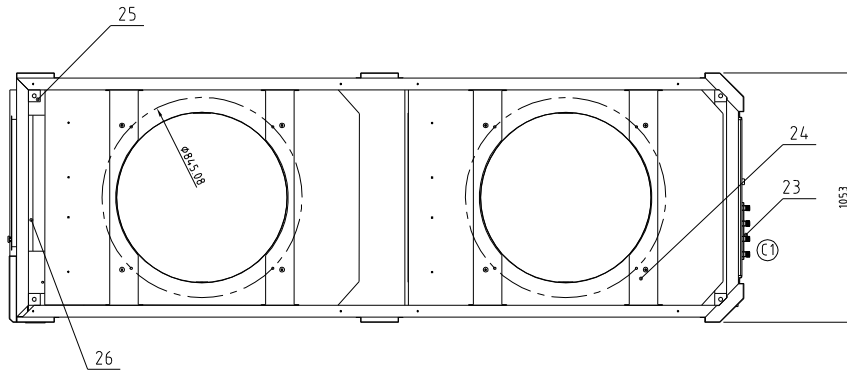
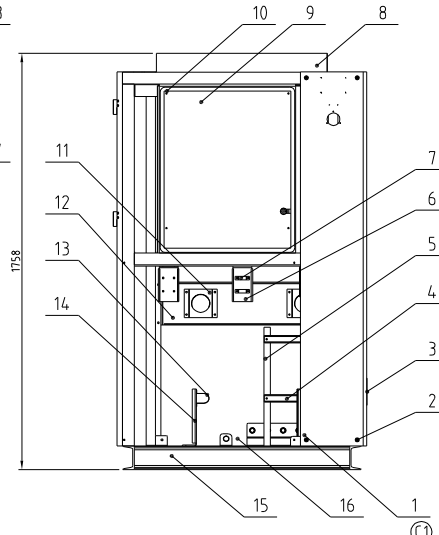
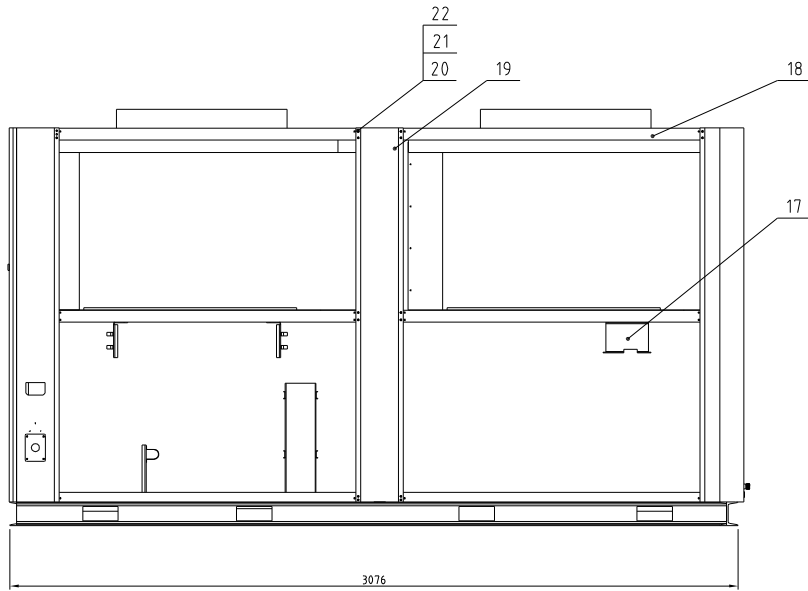


32	SIC-98A-R2-ALL-10	Front top plate	SPCC15	1	Borrowed
31	YP30432000000	Fan directional label	202L	1	
30	YW64001000100	Hexagonal nut M10	4.0	4	
29	YW66102000100	Flat washer 11x20x2	160HV	4	
28	YW65010000000	Standard spring washer 10	65Mn	4	
27	YW60102500000	Hexagon bolt M10x35	12.9	4	
26	YM60671000600	Fan A60710S-70M-VW04	Assembly	2	
25	SIC-98A-R2-ALL-11	Rear Top plate	SPCC15	1	Borrowed
24	SIC-98A-R2-ALL-07	Lower rear panel	SPCC15	1	Borrowed
23	SIC-98A-R2-ALL-06	Upper and rear panel assembly	SPCC15	1	Borrowed
22	SIC-98A-R2-A-ALL	Rack over all combination	Assembly	1	Borrowed
21	YW62051000100	Cross recessed flat head screw M5x10	4.8	4	
20	SIC-98A-R2-C-ALL	Refrigerant system	Assembly	1	Borrowed
19	BL50290000020	Fixing board of wire clamps PG29	SPCC15	1	
18	YP31034600000	Triangle power 3x460V	Structural parts	1	
17	YR40048500000	Shell RS485 Ver.0	Assembly	1	
16	YE90048501200	Communication interface board S-485	Assembly	1	
15	YW62063500000	Large flat head screw M6x35	4.8	4.6	
14	SIC-98A-R2-ALL-03	Upper side panel assembly 1	SPCC15	1	Borrowed
13	YP31115800400	Cold water machine maintenance aluminum plate label	Structural parts	1	
12	YP31018600000	Notice label	Structural parts	1	
11	SIC-98A-R2-ALL-08	Anti-dust screen	PA66	4	Borrowed
10	SIC-98A-R2-ALL-04	Upper side panel assembly 2	SPCC15	3	Borrowed
9	SIC-98A-R2-ALL-05	Lower side plate	SPCC15	4	Borrowed
8	SIC-98A-R2-P-B-ALL	Water system	Assembly	1	
7	SIC-98A-R2-ALL-02	Front lower panel	SPCC15	1	Borrowed
6	YW06203100400	Large hinge CL203-11left	Assembly	2	
5	SIC-98A-R2-ALL-01	Front upper panel	SPCC15	1	Borrowed
4	YP30804900700	Aluminum plate nameplate (small) universal to the group	202L	1	
3	YW69020500000	Rivets GB/T 827 2x5	4.8	27	
2	YP30425000000	Pump pressure label	202L	1	
1	YW00816100000	Door lock (MSB16)	Assembly	2	

序号	代号	名称	材质	数量	备注
②	36/37.5kw	316/33.6kW	20231010	制图	版号 B
①	外购件	自制件	20231010	设计	核
标记	更改前	更改后	更改人	校对	准
			日期	审核	日期 20230227



比例	1:20	数量	1
图号	SIC-98A-R2-P-ALL		
标题	SIC-98A-R2-P-ALL 总装图		
表面要求	/		
物料号	/		

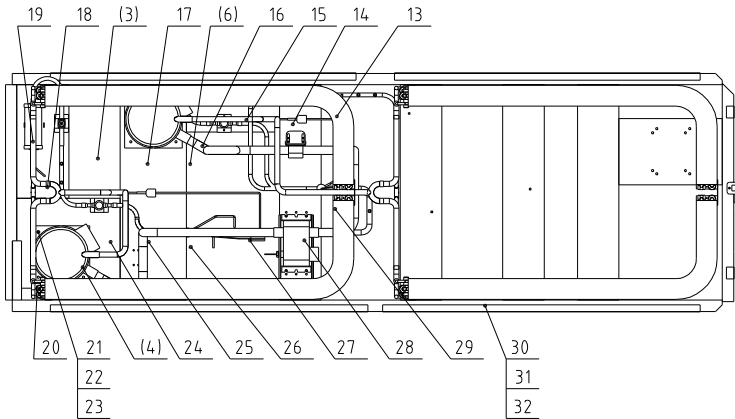
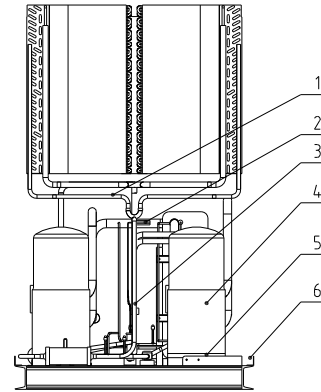
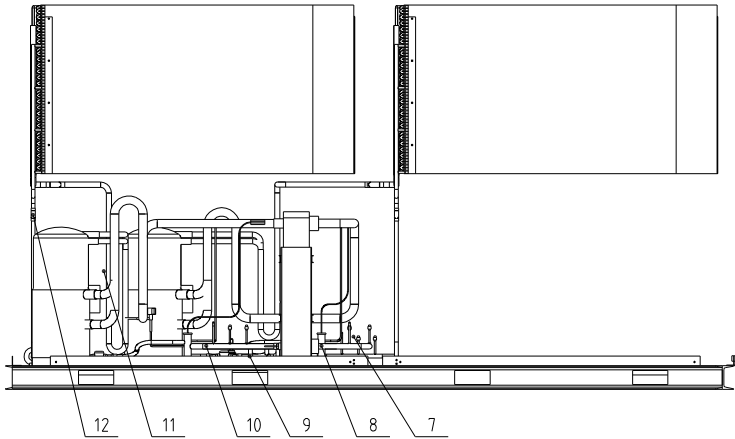


26	SIC-98A-R2-A-19	Control box fixed block	SPCC2.0	1	
25	SIC-48A-R2-A-19	Davit	Q235A	2	Borrowed
24	SIC-98A-R2-A-24	Fan fixing beam 1	SPCC3.0	4	
23	SIC-33A-R2-A-38	Water distributor fixing plate	SPCC2.0	1	Borrowed
22	YW66061300000	Flat washer A grade 6	4.8	20	
21	YW65006000100	Standard spring washer 6	4.8	20	
20	YW60062000100	Hexagon bolt M6x20	4.8	20	
19	SIC-98A-R2-A-05	Right middle pillar	SPCC3.0	1	
18	SIC-98A-R2-A-23	Top right crossbeam	Q235A	1	
17	SIC-98A-R2-A-18	Water filter fixing plate	SPCC3.0	1	
16	SIC-33A-R2-A-39	Fixed plate for water refilling pipe	Assembly	1	
15	SIC-98A-R2-A-ALL-01	Frame welding diagram	Assembly	1	
14	SIC-98A-R2-A-16	Fixing clip for return air pipe	SPCC3.0	2	
13	SIC-49A-R2-A-30	Fixing clip for return air pipe	SPCC10	2	Borrowed
12	SIC-98A-R2-A-21	Fixed crossbeam for inlet and outlet water pipes	SPCC3.0	1	
11	SIC-98A-R2-A-20	Fixed folding plate for inlet and outlet water pipes	SPCC2.0	2	
10	SIC-98A-R2-A-09	Control box	SPCC15	1	
9	SIC-98A-R2-A-10	Electrical base plate	SECC15	1	
8	SIC-98A-R2-A-27	Condenser cover plate	SPCC2.0	2	
7	SIC-49A-R2-A-31	Exhaust pipe fixing clip	SPCC10	4	Borrowed
6	SIC-98A-R2-A-17	Exhaust pipe fixing clip	SPCC3.0	2	
5	SIC-98A-R2-A-14	Evaporator fixing groove	SPCC3.0	2	
4	SIC-98A-R2-A-15	Evaporator fixed crossbeam	SPCC15	4	
3	BL02010000020	Wire fixture fixed plate	4.8	1	
2	YW62063500000	Large flat head screw M6x35	4.8	4	
1	SIC-98A-R2-A-01	Meter plate	SPCC15	1	

序号	代号	名称	材质	数量	备注
	SIC-98A-R2	机架	SIC-98A-R2-A-ALL	1	
			比例 1:20	数量	1
			材质	Assembly	
			表面要求	RAL7016	
			物料号	/	

制图	设计	20230912	校对	日期	20211028
版号	C	核准	日期	20211028	
标记	更改前	更改后	更改人	日期	审核

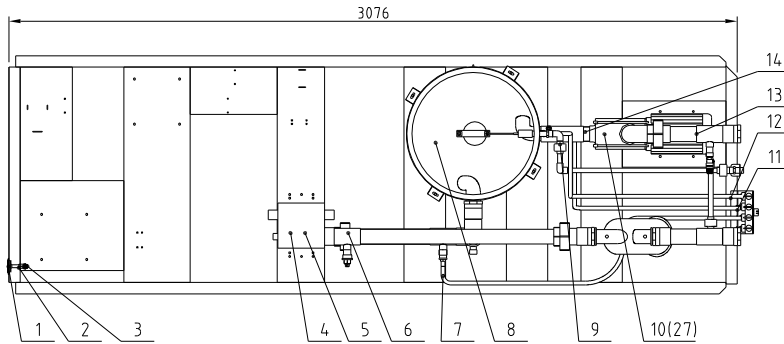
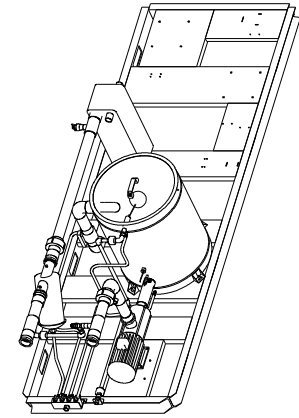
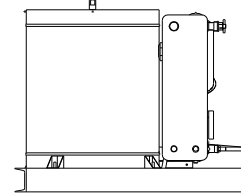
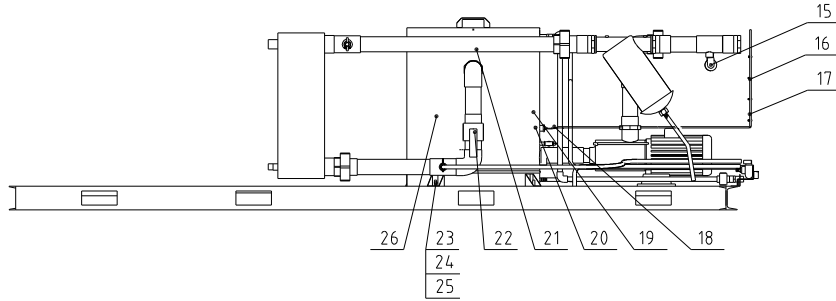




32	YW66061300000	Flat washer A grade 6	4.8	20	
31	YW65006000100	Standard spring washer 6	4.8	20	
30	YW60062000100	Hexagon bolt Mx20	4.8	20	
29	SIC-49A-R2-C-04	Right condenser	Assembly	2	Borrowed
28	SIC-98A-R2-C-01	Evaporator HBL-118-181D	SUL361	1	
27	This figure	thermometer bulb 1	Assembly	1	
26	This figure	Equalizer tube1	TP2M	1	
25	SIC-98A-R2-C-07	Return air pipe 2	TP2M	1	
24	YW85001500100	Sight glass HMI-11T5	Assembly	2	Option
23	YW66082200100	Large washer C grade (8.4x24x2)	4.8	8	
22	YW65008000100	Standard spring washer 8	4.8	8	
21	YW60084000100	Hexagon bolt M8x40	4.8	8	
20	YW67481900000	Cross socket head tapping screw	4.8	8	
19	SIC-49A-R2-C-06	Left and right condenser air inlet pipe	TP2M	2	Borrowed
18	YW05000700800	Y-shaped copper pipe three-way 2/8"	TP2M	2	
17	YW85030500100	Dry filter EK3055	Assembly	2	
16	SIC-98A-R2-C-07	Return air pipe 1	TP2M	1	
15	SIC-98A-R2-C-08	Air exhaust pipe 2	TP2M	1	
14	YE90207506800	Liquid pipe solenoid valve (AC2LV)	Assembly	2	Option
13	SIC-49A-R2-C-03	Left condenser	Assembly	2	Borrowed
12	YW05000500900	Y-shaped copper pipe 5/8"	TP2M	2	
11	SIC-98A-R2-C-03	Air exhaust pipe 1	TP2M	1	
10	SIC-98A-R2-C-06	Evaporator Air inlet pipe1	TP2M	1	
9	SIC-98A-R2-C-10	Filter outlet pipe 2	TP2M	1	
8	SIC-98A-R2-C-11	Evaporator Air inlet pipe2	TP2M	1	
7	SIC-98A-R2-C-09	Condenser outlet pipe2	TP2M	1	
6	SIC-98A-R2-C-05	Filter outlet pipe 1	TP2M	1	
5	YE90715202500	Crankcase heating band (2LV)	Assembly	1	
4	YM70018200000	ZP182KCE-TFD	Assembly	2	
3	SIC-98A-R2-C-04	Filter inlet pipe	TP2M	1	
2	This figure	thermometer bulb 2	Assembly	1	
1	SIC-49A-R2-C-07	Left and right condenser outlet pipes	TP2M	2	Borrowed

序号	代号	名称	材质	数量	备注
			比例 1:20	数量 1	
			材质	Assembly	
			表面要求	/	
			物料号	/	

制图	版号	B	标题	SIC-98A-R2	图号	SIC-98A-R2-C-ALL
设计	核准		冷媒系统			
校对	审核		 信易电热机械股份有限公司 Shini Plastics Technologies, Inc.			
标记	更改前	更改后				
(B1)	更改前	更改后	更改人	日期	审核	日期



27	YM21164000500	Nanyuan water pump SHF16-40	Assembly	1	High voltage usage
26	SIC-98A-R2-P-B-01	Water tank body	Assembly	1	
25	YW66082200100	Large washer C grade 8 x Longzine	4 B	8	
24	YW65008000100	Standard spring washer 8	4 B	8	
23	YW60082000200	Hex.bolt M8x20 Longzine	4 B	8	
22	SIC-98A-R2-B-02	Combination of return water pipes	Assembly	1	Borrowed
21	YW59010200000	Float switch copper 1/2"	Assembly	1	
20	This figure	Water temperature probe	Assembly	1	
19	YE90001600000	Side mounted plastic duckbill liquid level switch M16	Assembly	1	Option
18	YW52010400000	Stainless steel three-way 1/4"	Assembly	1	
17	YR60620000100	Transparent rubber hose	PE	15	
16	YR90000022000	Ribbon	Plastic	3	
15	SIC-66A-R2-B-06	Water outlet pipe bypass combination	Assembly	1	Borrowed
14	SIC-98A-R2-B-04	Water suction pipe insert	SUS304	1	Borrowed
13	SIC-98A-R2-B-05	Water outlet pipe combination	Assembly	1	Borrowed
12	YW02182900000	stainless steel pipe clamp (18-29)	SUS303	8	
(A1) 11	YW50344100100	3-gauge inlet and outlet four-way valve 1/2"	Assembly	1	
10	YM21163001800	Nanyuan water pump SHF16-30	Assembly	1	Medium voltage usage
9	YR60051000000	Steel wire hose 1/2"	Assembly	2.5M	
8	SIC-49A-R2-B-08	Water tank cover	SUS304	1	Borrowed
7	YR60051000000	Steel wire hose 1/2"	Assembly	4.5M	
6	SIC-98A-R2-B-02	Combination of return water pipes	Assembly	1	Borrowed
5	YP60101040000	Rubber insulation cotton	Assembly	3	
4	YW87980106000	Evaporator HBL95B-118-181D	SUS316L	1	
(A2) 3	YW80061400200	L-shaped quick triacheat connector	Assembly	2	
2	BH12060701710	Joint 1/4 inch PT to 1/4 inch H	M58	2	
1	YW85001000100	Pressure gauge 0-10KG water pressure gauge	Assembly	1	

序号	代号	名称	材质	数量	备注
图号		SIC-98A-R2-P	比例	1:20	数量
图号		SIC-98A-R2-P-B-ALL	数量	1	
标题		水系统	材质	Assembly	
物料号			表面要求	/	
物料号				/	

制图	版号	A	制图	日期	20230701
设计	核准		设计	日期	20230701
校对	日期	20230227	校对	日期	20230701
标记	更改前	更改后	更改人	日期	审核

