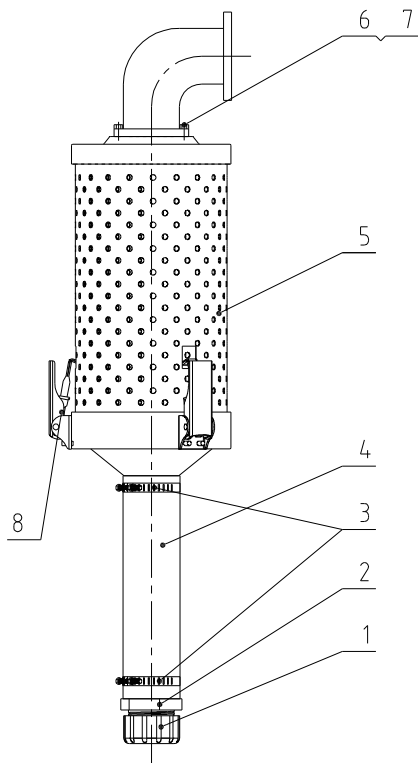


48	YR20060402000	Sealing silicone strip 6x4SHD-12EB (longfeng)	silical gel	1	1.03M
47	YW09001201200	3-way pipe lower cover SHD-12E-A-11 drawing ver 0 has mould	SPCC1.0	1	

Blower Power		Pipe Heater Power	Hopper Capacity	Machine Version
50Hz:0.1kW	60Hz:0.125kW	2.2kW	12kg	Ver.C

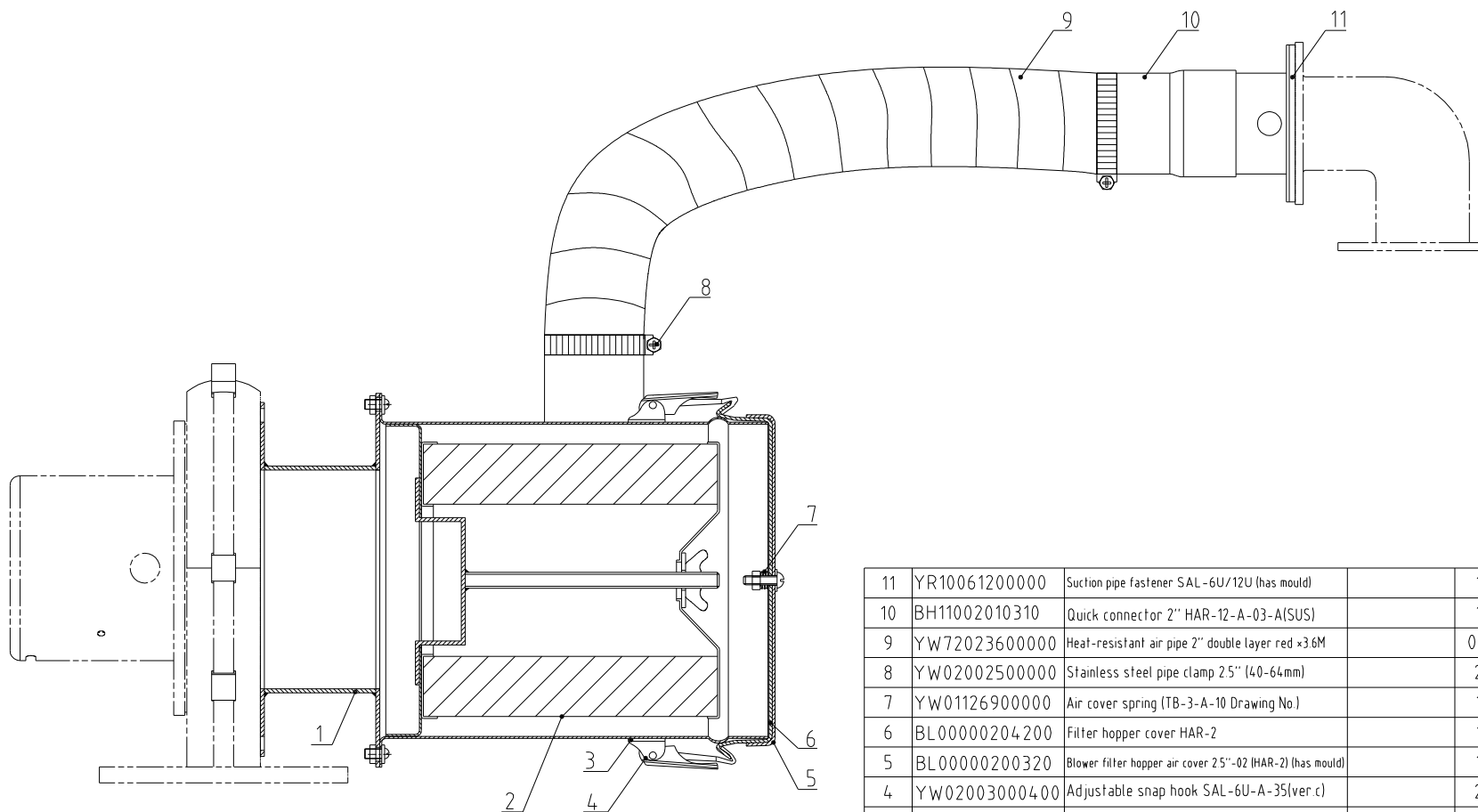
46	YE60122000100	High-grade plastic coated metal hose Φ20(Φ13)mm Two ends are connected with zinc alloy outer wire M20x15	Assembly	1	
45	BH70120300150	Pipe heater SEHD(SHD)-12-2 2KW/3Φ 4.00V	Assembly	1	
44	YE90055501300	Thermocouple 5-SSL+MBx1MSHD-400-A-24 ver.0	Assembly	1	
43	YL01121500100	Pipe heater SHD-12E-A-09 drawing ver 0 Longfeng	Welding parts	1	
42	YW60082000200	Hex bolt GB/T5783 M8x20-8.8-Longzine		4	
41	YW90001200200	Hopper hinge SHD-12E-A-08 drawing ver 0 Longfeng	Assembly	1	
40	YR10002500100	Cover fastener SHD-25 white silica gel has mould	White silica gel	1	
39	YW90001202800	Hopper cover SHD-12E-A-05 drawing ver 0 Longfeng	SPCC1.0	1	
38	YW62061000000	Large cross recessed flat head screw J53111 M6x10-Longzine		3	
37	BL011214.00120	Handle hook SHD-12E-A-14 drawing ver 0 has mould	SUS201	1	
36	YW60083000200	Hex bolt GB/T5783 M8x30-8.8-Longzine		4	
35	BW09202000000	Square plate SEHD-100-A-09 (ver 0) has mould	SPCC1.0	1	
34	YW67030800000	Cross recessed pan head self-tapping set screw GB6560 M3-8 Longzine		2	
33	BE85018000350	Thermal protector K882 anti-grade (ver 0 SH) (Thermal protection normally open) has rubber steel	Assembly	1	
32	YW00121000000	Handle hook SEHD-25-A-08(ver 0) has mould	Assembly	1	
31	YW64000500000	Hex nut M5 anti-loose		6	
30	BW09000630040	Sight glass iron sheet six hole (chrome-plated)	SPCC2.0	1	
29	YR40001200000	Acrylic six-hole SEHD-12-A-12 (ver 0) Mat-PC (has mould)	PC	1	
28	YR40000600000	Sight glass fastener six hole (has mould) SEHD-12-A-11(ver 0)	Rubber	1	
27	YW66000600000	Ring opening GB/T896 6		2	
26	YW90481203800	Horizontal pin 48 SHD-12EB (Longfeng)	Q235	2	
25	YW66103200000	Large washer A grade GB/T96 1010 5x30x25-Longzine		2	
24	YW90001200400	Star ring screw small M10-4.0 SHD-12EB (Longfeng)	Q235	2	
23	YW90001200300	Star ring nut small M10-12EB (Longfeng)	kirsite	2	
22	BL01120700220	Upper screen SHD-12E-A-07 drawing ver 0	SUS201	1	
21	YL01001200700	Lower screen assembly SHD-12E-A-06 drawing ver 0 Longfeng	SUS201	1	
20	YW20001200100	Hopper SHD-12E-A-03 drawing ver 0 Longfeng	AC4B	1	
19	BY10001200850	Base assembly SHD-12EB (Longfeng)	Assembly	1	
18	YW80010200100	Plug 1/4		1	
17	YW69042000200	Cross recessed pan head assembly screw GB/T 9074.4-M6x20-Longzine		2	
16	YW67040600600	Cross recessed pan head self-tapping set screw GB6560 M4x6-Longzine		4	
15	YW67051000700	Cross recessed pan head self-tapping set screw GB6560 M5-10-Longzine		7	
14	BL01005000720	Control box short box SEHD-50-ALL-02 (ver B)	Welding parts	1	
13	YW65008000100	Standard spring washer GB/T93 8-Longzine		16	
12	YW66081900000	Flat washer 8x19x2.0 Longzine		16	
11	YW60082500100	Hex bolt GB/T5783 M8x25-12.9-Longzine		8	
10	YM40151204100	Alu shell blower 15"(12E) 3Φ380-4.15V/50/60HZ/100/125W	Assembly	1	
9	SHD-12E-A-01	Storage hopper body	Assembly	1	
8	YW64000600200	Hex nut M6 (anti-loose)		2	
7	YW61062500000	Inner hex column head screw GB/T30 1 M6x25-A2-70(SUS)		2	
6	YW65006000100	Standard spring washer GB/T93 6-Longzine		6	
5	YW66061300000	Flat washer A grade GB/T971 6-Longzine		6	
4	YW60061200000	Hex bolt GB/T5783 M6x12-12.9-Longzine		6	
3	YW90001200100	Hopper cover hinge SHD-12E-A-10 drawing ver 0	Assembly	1	
2	YW63061500000	Cross recessed pan head screw GB/T-818 M6x15-Longzine		4	
1	YW20001201800	Exhaust air pipe SHD-12E-A-04 drawing ver 0 Longfeng	AC4B	1	

标记	更改前	更改后	更改人	日期	制图	版号	标题	图号	比例	17	数量	备注
					设计	核准	SHD-12E		1:1			
					校对		料斗干燥机					
					审核		信易电热机械股份有限公司 Shini Plastics Technologies, Inc.					
					日期			表面要求				
							物料号					



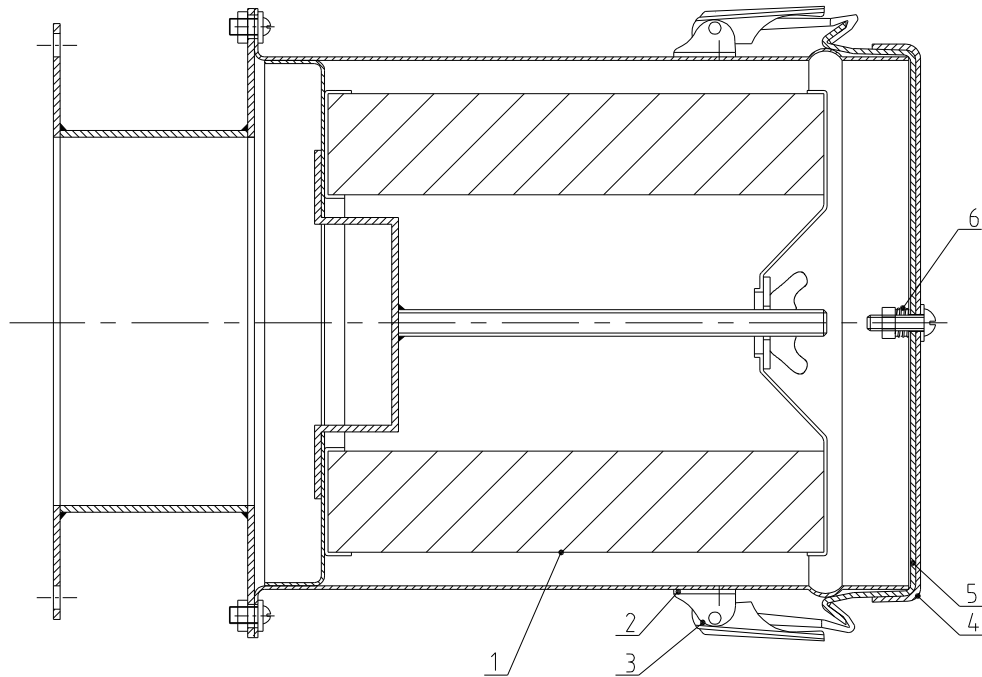
8	YW02003000400	Adjustable snap hook SAL-6U-A-35(ver.c)		3	
7	BA10001200110	Exhaust air pipe SHD-12-A-01(painted)(has mould)		1	
6	YR10001200700	Exhaust air pipe fastener SHD-12-ADC-1-A-04 rubber (has mould)		1	
5	YR50127000000	Filter ADC1 ext.126× inner 70×254mm ADC-1-A-06(ver.0)		1	
4	YE66515800000	PVC hose 2" inner dia. 50mm×0.8mm		1	
3	YW02002500000	Stainless steel pipe clamp 2.5"(4.0-64mm)		2	
2	YR40012500000	Plastic connector 1.25"		1	
1	YR40000000100	Bottom plug ADC-1-A-05 ver.0 (has mould)		1	
序号	代号	名称	材质	数量	备注

					制图	版号	标题	图号	比例	1:6	数量	1
					设计	核准	排风空气滤清器	ADC-1-ALL			材质	
				校对	表面要求							
标记	更改前	更改后	更改人	日期	审核	日期	信易电热机械股份有限公司 Shini Plastics Technologies, Inc.		物料号			



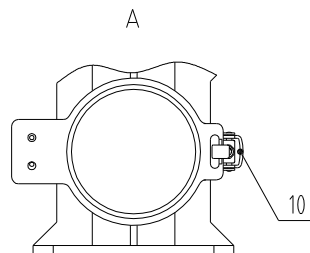
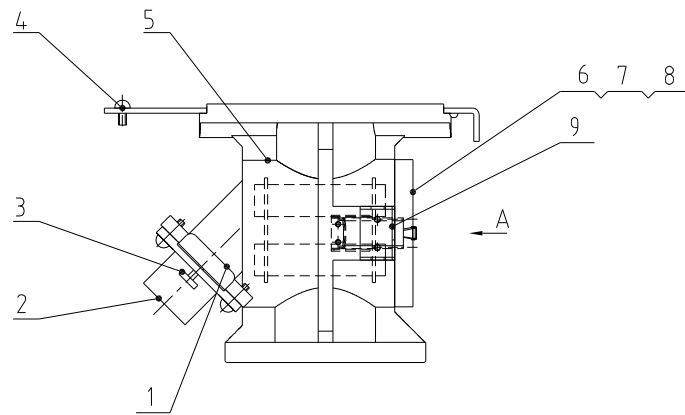
11	YR10061200000	Suction pipe fastener SAL-6U/12U (has mould)		1	
10	BH11002010310	Quick connector for 2" HAR-12-A-03-A(SUS)		1	
9	YW72023600000	Heat-resistant air pipe 2" double layer red x3.6M		0.3	
8	YW02002500000	Stainless steel pipe clamp 25" (40-64mm)		2	
7	YW01126900000	Air cover spring (TB-3-A-10 Drawing No.)		1	
6	BL00000204200	Filter hopper cover HAR-2		1	
5	BL00000200320	Blower filter hopper air cover 25"-02 (HAR-2) (has mould)		1	
4	YW02003000400	Adjustable snap hook SAL-6U-A-35(ver.c)		2	
3	YR40000600800	Adjustable snap hook pad SAL-6U(white)(has mould)		2	
2	YR50138000000	Filter ADC14 foamed rubber (AIF-12-A-ALL-01) ver.0		1	
1	BL90120500120	Hot air recycler adaptor flange HAR-12-A-05 (Drawing No B)		1	
序号	代号	名称	材料	数量	备注

					制图	版号	标题	图号	比例	1:3	数量	1
					设计	核准	HAR-12	HAR-12-ALL				
				校对		风机入口过滤器		表面要求				
标记	更改前	更改后	更改人	日期	审核	日期	2014.02.13		信易電熱機械股份有限公司 Shini Plastics Technologies, Inc.	物料号		



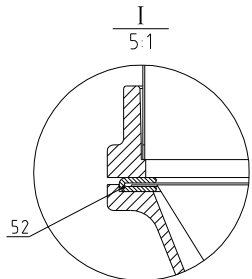
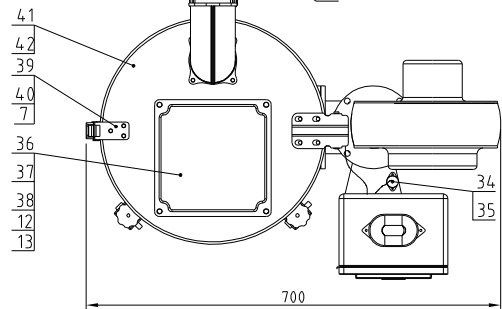
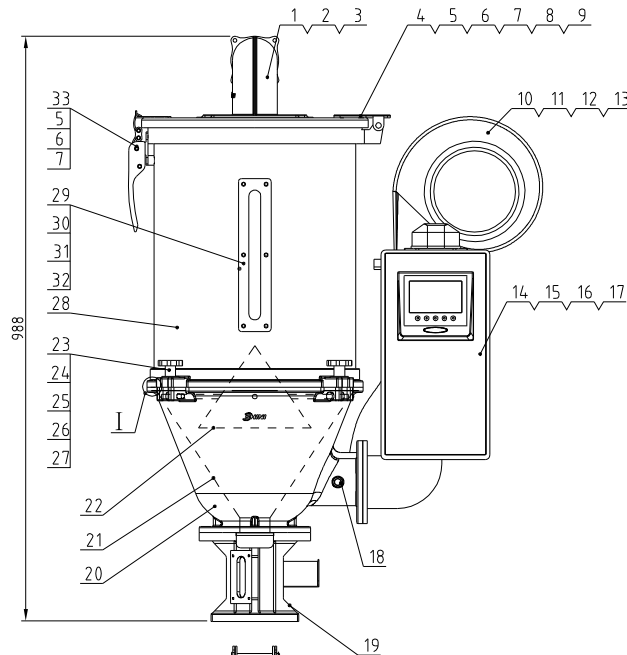
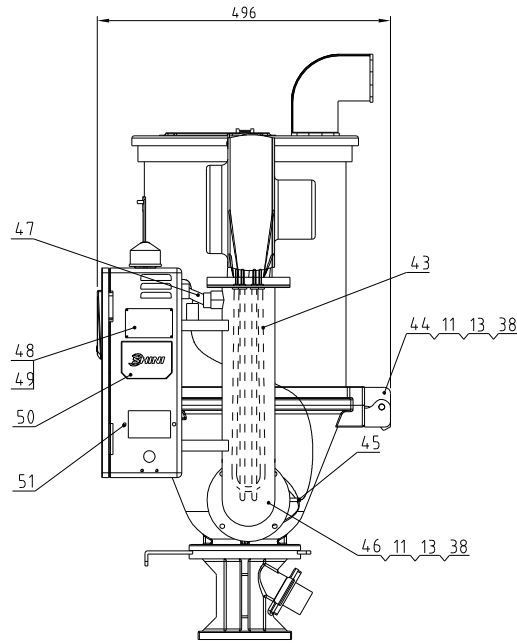
6	YW01126900000	Air cover spring (TB-3-A-10 Drawing No.)		1	
5	BL00000204200	Filter hopper cover HAR-2		1	
4	BL00000200320	Blower filter barrel air cover 25"-02(HAR-2)(has mould)		1	
3	YW02003000400	Adjustable snap hook SAL-6U-A-35(ver.c)		2	
2	YR40000600800	Adjustable snap hook pad SAL-6U(white)(has mould)		2	
1	YR50138000000	Filter ADC14 foamed rubber (AIF-12-A-ALL-01) ver.0		1	
序号	代号	名称	材料	数量	备注

					制图		版号		标题	AIF-12	图号	AIF-12-ALL	比例	1:2	数量	1
					设计		核准		风机入口过滤器					材质		
					校对				信易電熱機械股份有限公司 Shini Plastics Technologies, Inc.			表面要求				
标记	更改前	更改后	更改人	日期	审核		日期	2014.0213					物料号			



10	YW02003000400	Adjustable snap hook SAL-6U-A-35		1	
9	YW09050200000	Magnetic base hinge SCM-38-A-21/SGD-A-12 (ver.0)(has mould)		1	
8	YW01005000100	Magnetic base spring SHD-50-A-101		1	
7	YW70097500000	Sight glass 50KG($\phi 97 \times 5$ mm)SHD-50-A-106(ver.C)		1	
6	BA10005000210	Magnetic base mirror frame SHD-50-A-96-0(processed)(has mould)		1	
5	BA20001200210	Magnetic base MB-12EB-A-01(processed)(has mould)		1	
4	YW07001200000	Large shut-off plate HB-12-A-02(ver.A)(has mould)		1	
3	YW69616100000	Manual screw M6 \times 16 \times 16		1	
2	YA10005000100	Discharge port (has mould) SEHD-50-ALL-03(ver.0)		1	
1	YW09125000000	Small shut-off plate HB-12/50 T.14mm HB-12-A-03(ver.0)(has mould)		1	
序号	代号	名称	材质	数量	备注

					制图	版号	标题	图号	比例	1:5	数量	1
					设计	核准	MB-12EB 磁力底座	MB-12EB-ALL		材质		
					校对		信易電熱機械股份有限公司 Shini Plastics Technologies, Inc.			表面要求		
标记	更改前	更改后	更改人	日期	审核	日期			20130108		物料号	

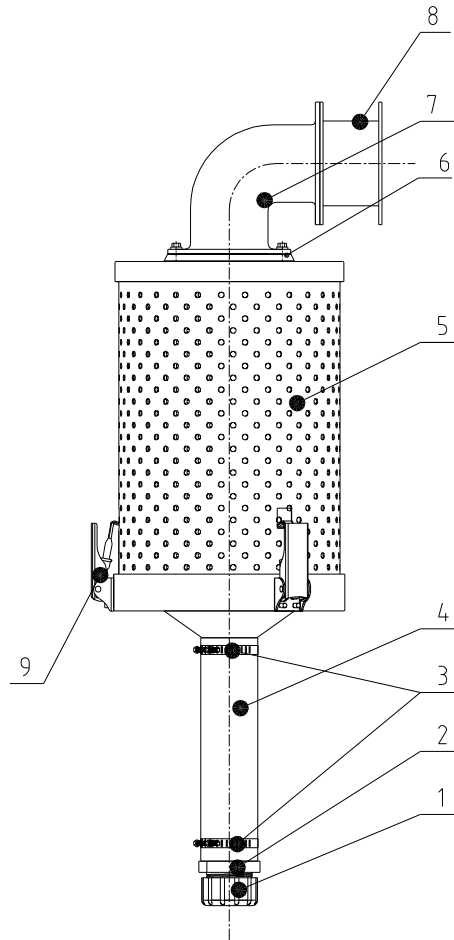


52	YR10121300200	Hot air pipe 305-1-10 (Sheet metal)	transparent silica gel	1
51	BL101005009820	Heater End plate 305-1-11 (Steel)	SPCC10	1
50	YR40485500100	ABS connection interface casting plate 305-1-11	ABS-30%PC	1
4.9	YW69020500000	Rivet GB/T 827 2x5		1
4.8	YP30804.900700	Cast iron plate sample (small) grey iron cast 1.5mm		1
4.7	YE60122000100	Hot air pipe 305-1-10 (Sheet metal)		1

Blower power	Heater pipe power	Hopper capacity	Ver.
50Hz:0.17kW	60Hz:0.205kW	3kW	25kg
			Ver.D

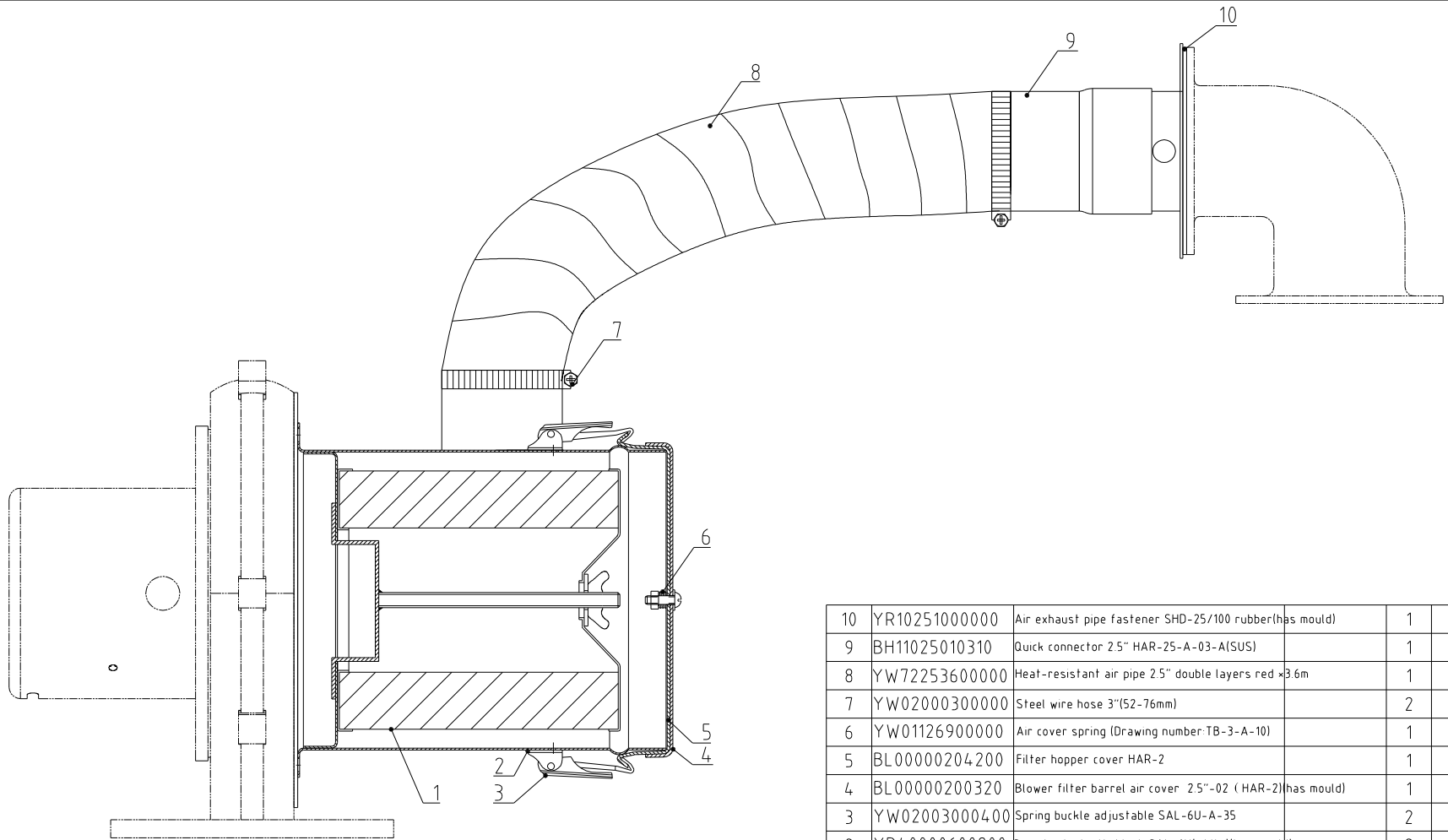
4.6	BL01250800121	Hot air pipe 305-1-10 (Sheet metal)	assembly	1
4.5	YE90055501300	Heater End plate 305-1-11 (Steel)	assembly	1
4.4	YW09125000100	Hopper rear bottom 305-1-11	assembly	1
4.3	BH70250300150	Pipe heater 305-1-11 (305-1-11)	assembly	1
4.2	YR10002500100	Cover fastener 305-1-11 (Silica gel)	white silica gel	1
4.1	YW90038302000	Hopper cover 305-1-11 (Longzine)	SPCC14	1
4.0	YW62061000000	Large cover plate for hot air pipe 305-1-11		3
3.9	BL011214.00120	End hook 305-1-11 (Steel)	SUS201	1
3.8	YW66081600000	Flat washer 8x19x2.0 (Longzine)		12
3.7	YW60083000200	Hexagon screw bolt 6x16 (Longzine)		4
3.6	BW09202000000	Square plate 305-1-11 (Steel)	SPCC10	1
3.5	YW67030800000	Cover board for hot air pipe 305-1-11		2
3.4	BE85013000550	End plate 305-1-11 (Steel)	assembly	1
3.3	YW00121000000	Handle 305-1-11 (Steel)	assembly	1
3.2	YW64000500000	Hex nut M6 anti-loose		6
3.1	BW09000630040	Six holes eight glass fiber plate 305-1-11	SPCC2.0	1
3.0	YR40001200000	Key for hole 305-1-11 (Plastic)	PC	1
2.9	YR40000600000	Eight holes rubber six holes mold 305-1-11	rubber	1
2.8	SHD-25E-A-01	Material storage tank	assembly	1
2.7	YW66000600000	E-rings GB/T896 6		2
2.6	YW904.81203800	Long roller 8 305-1-11 (Longzine)	Q235	2
2.5	YW66103200000	Large roller 8 305-1-11 (Longzine)		2
2.4	YW900012004.00	Ball air ring 305-1-11 (Longzine)	Q235	2
2.3	YW90001200300	Ball air ring 305-1-11 (Longzine)	Zinc alloy	2
2.2	BL01250600220	Upper screen 305-1-11 (Longzine)	SUS201	1
2.1	YL01002500200	Lower screen assembly 305-1-11 (Longzine)	SUS201	1
2.0	YW20002500100	Hopper 305-1-11 (Longzine)	AC4B	1
1.9	BY10050003150	Standard base assembly 305-1-11 (Ver. B)	assembly	1
1.8	YW80010200100	plug 1/4		1
1.7	YW6904.2000200	Cover board for hot air pipe 305-1-11 (Longzine)		2
1.6	YW6704.0600600	Cover board for hot air pipe 305-1-11 (Longzine)		4
1.5	YW6705.1000700	Cover board for hot air pipe 305-1-11 (Longzine)		4
1.4	BL01005000720	Control box short box 305-1-11 (Longzine)	SPCC10	1
1.3	YW65008000100	Standard spring washer 6x19x2.0 (Longzine)		16
1.2	YW66081900000	Flat washer 8x19x2.0 (Longzine)		4
1.1	YW60082500100	Hexagon screw bolt 6x16 (Longzine)		12
1.0	YM4.05034.00200	Hex nut M6 anti-loose	assembly	1
9	YW64.000600200	Hex nut M6 anti-loose		2
8	YW61062500000	Large hexagonal nut 6x16 (Longzine)		2
7	YW65006000100	Standard spring washer 6x19x2.0 (Longzine)		7
6	YW66061300000	Flat washer 8 305-1-11 (Longzine)		6
5	YW60061200000	Hexagon screw bolt 6x16 (Longzine)		6
4	YW90001200100	Large cover plate for hot air pipe 305-1-11		1
3	YW63061500000	Cover board for hot air pipe 305-1-11 (Longzine)		4
2	YR10500900300	Air exhaust pipe 305-1-11 (Steel)	rubber	1
1	BA10500707010	Air exhaust pipe 305-1-11 (Steel)	AC4B	1

制图	版号	标题	SHD-25E	图号	比例	1:8	数量	
设计	核准	料斗干燥机(400V)					材质	
校对		SHINI		信易电热机械股份有限公司	表面要求			
标记	更改前	更改后	更改人	日期	审核	日期	物料号	



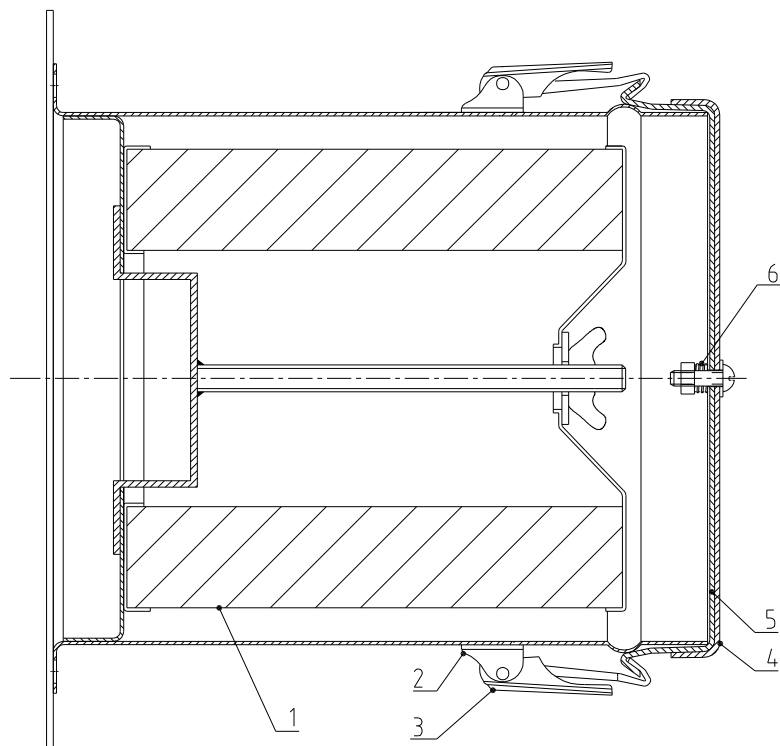
9	YW02003000400	Spring buckle adjustable SAL-6U-A-35(Ver.C)	3		
8	BL90000200120	Adaptor flange ADC-2EB-A-01(Ver.0)	1		
7	YW20002507000	Air exhaust pipe SHD-25EB-A-03(ver.0)(Longfeng)	1		
6	YR10251000000	Air exhaust pipe fastener SHD-25/100rubber(has mould)	2		
5	YR50181100000	Filter ADC2 rubber fastenre (SMD-1000H-A-ALL-09) ver.0	1		
4	YE66515800000	PVC transparent hose 2" inner dia. 50mm*0.8mm	1		
3	YW02002500000	Stainless steel pipe clamp 2.5" (40-64mm)	2		
2	YR40012500000	Plastics connector 1.25"	1		
1	YR40000000100	Bottom plug ADC-1-A-05 ver.0 (has mould)	1		
序号	代 号	名 称	材 质	数 量	备 注

					制图	版号	标题	图号	比例	1:6	数量	1
					设计	核 准	ADC-2EB 排风空气滤清器	ADC-2EB-ALL			材 质	
					校对		信易電熱機械股份有限公司 Shini Plastics Technologies, Inc.		表面要求			
标记	更改前	更改后	更改人	日期	审核	日期			物料号			



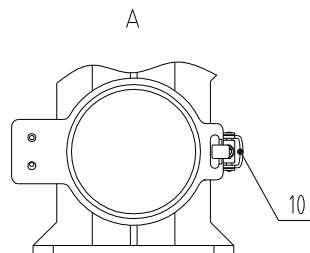
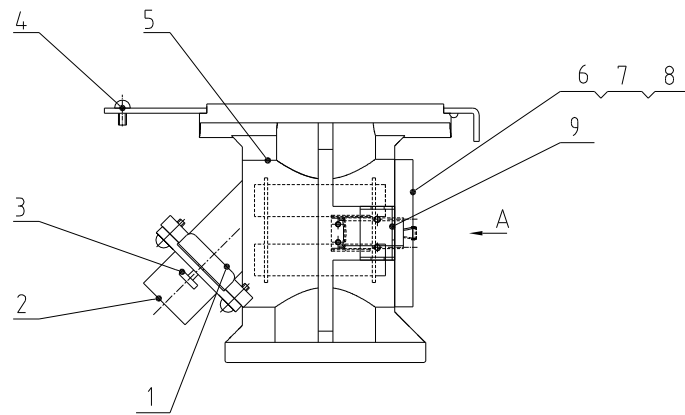
10	YR10251000000	Air exhaust pipe fastener SHD-25/100 rubber(has mould)	1		
9	BH11025010310	Quick connector 2.5" HAR-25-A-03-A(SUS)	1		
8	YW72253600000	Heat-resistant air pipe 2.5" double layers red ×3.6m	1		
7	YW02000300000	Steel wire hose 3"(52-76mm)	2		
6	YW01126900000	Air cover spring (Drawing number:TB-3-A-10)	1		
5	BL00000204200	Filter hopper cover HAR-2	1		
4	BL00000200320	Blower filter barrel air cover 25"-02 (HAR-2)(has mould)	1		
3	YW02003000400	Spring buckle adjustable SAL-6U-A-35	2		
2	YR40000600800	Snap hook plastic block SAL-6U(white)(has mould)	2		
1	YR50138000000	Filter ADC14 foam rubber (AIF-12-A-ALL-01) Ver.0	1		
序号	代号	名称	材料	数量	备注

					制图	版号	标题	图号	比例	1:3	数量	1
					设计	核准	HAR-25EB	HAR-25EB-ALL		表面要求 物料号		
					校对		热风回收器					
标记	更改前	更改后	更改人	日期	审核	日期	20200917	信易電熱機械股份有限公司 Shini Plastics Technologies, Inc.				



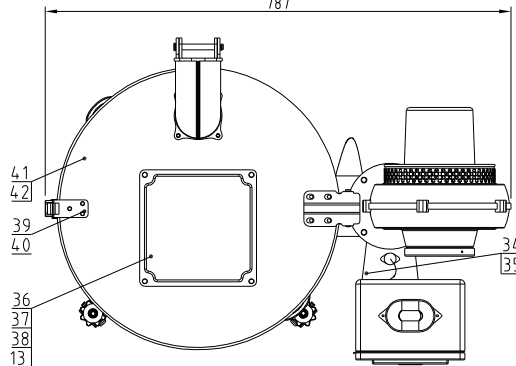
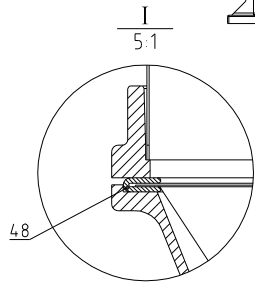
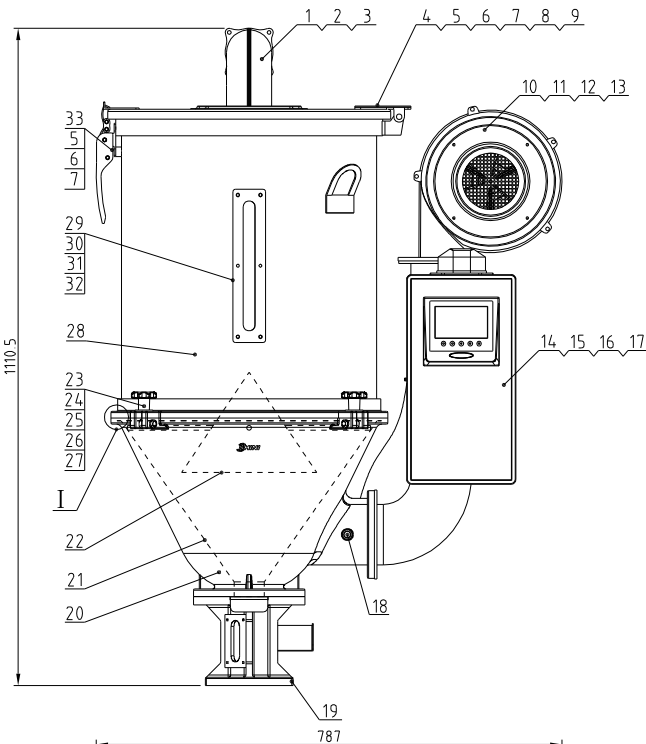
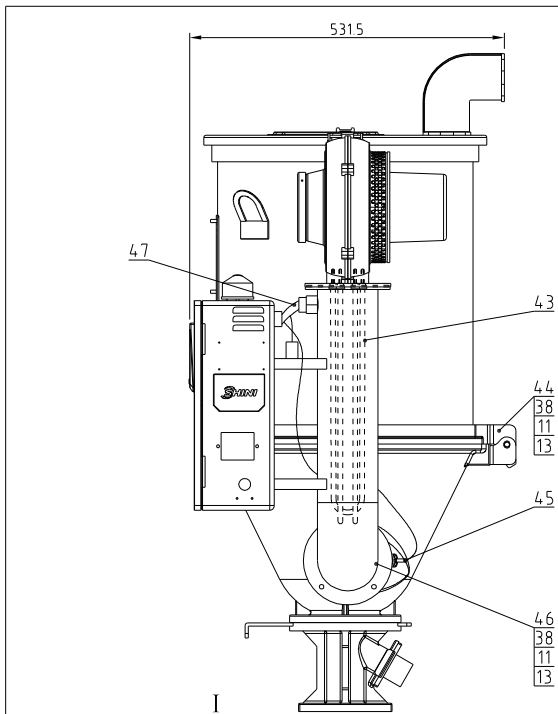
6	YW01126900000	Air cover spring (Drawing number TB-3-A-10)			
5	BL00000204200	Filter hopper cover HAR-2		1	
4	BL00000200320	Blower filter barrel air cover 25"-02 (HAR-2)(has mould)		1	
3	YW02003000400	Spring buckle adjustable SAL-6U-A-35		2	
2	YR40000600800	Snap hook plastic block SAL-6U(white)(has mould)		2	
1	YR50138000000	Filter ADC14 foam rubber (AIF-12-A-ALL-01) Ver.0		1	
序号	代号	名称	材料	数量	备注

					制图	版号	标题	图号	比例	1:2	数量	1
					设计	核准	AIF-25EB 风机入口过滤器	AIF-25EB-ALL		表面要求		
					校对		SHINI 信易電熱機械股份有限公司 Shini Plastics Technologies, Inc.		物料号			
标记	更改前	更改后	更改人	日期	审核	日期		20200917				



10	YW020030004.00	Spring buckle adjustable SAL-6U-A-35		1	
9	YW09050200000	Magnetic base hinge SCM-38-A-21/SGD-A-12 ver 0 (has mould)		1	
8	YW01005000100	Magnetic base spring SHD-50-A-101		1	
7	YW70097500000	Sight glass 50KG($\phi 97 \times 5$ mm)SHD-50-A-106(Ver.C)		1	
6	BA10005000210	Magnetic base glass frame SHD-50-A-96-0(processed)(has mould)		1	
5	BA20005000310	Magnet base SHD-50-A-51(processed)(has mould)		1	
4	YW07001200000	Large shut-off plate HB-12-A-02(ver A) (has mould)		1	
3	YW69616100000	Hand screw M6 \times 16 \times 16		1	
2	YA10005000100	Discharge port (has mould)SEHD-50-ALL-03(Ver.0)		1	
1	YW09125000000	Small shut-off plate HB-12/50 thickness:1.4mm HB-12-A-03(Ver.0)(has mould)		1	
序号	代号	名称	材质	数量	备注

					制图	版号	标题	图号	比例	1:5	数量	1
					设计	核准	MB-50 磁力底座	MB-50-ALL		材质		
					校对		信易電熱機械股份有限公司 Shini Plastics Technologies, Inc.			表面要求		
标记	更改前	更改后	更改人	日期	审核	日期			20130108		物料号	

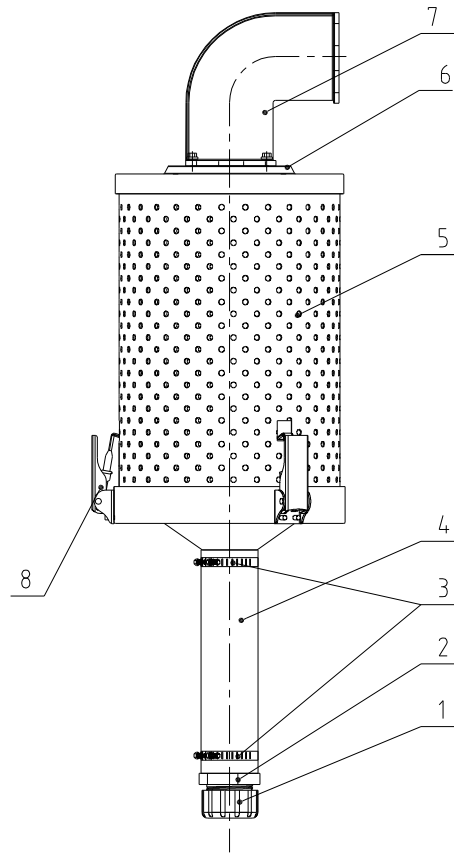


4.8	YR10501200100	Inner hopper fastener SHD-50-A-12(Ver.B) PC silica gel (has mould)	silical gel	1
4.7	YE60122000100	High-grade plastic coated metal hopper (1200*1320mm) Two ends are connected with zinc alloy outer wire M6x1.5		1

Blower Power		Pipe Heater Power	Hopper Capacity	Machine Version
50Hz: 0.17kW	60Hz: 0.205kW	3.9kW	50kg	Ver.C

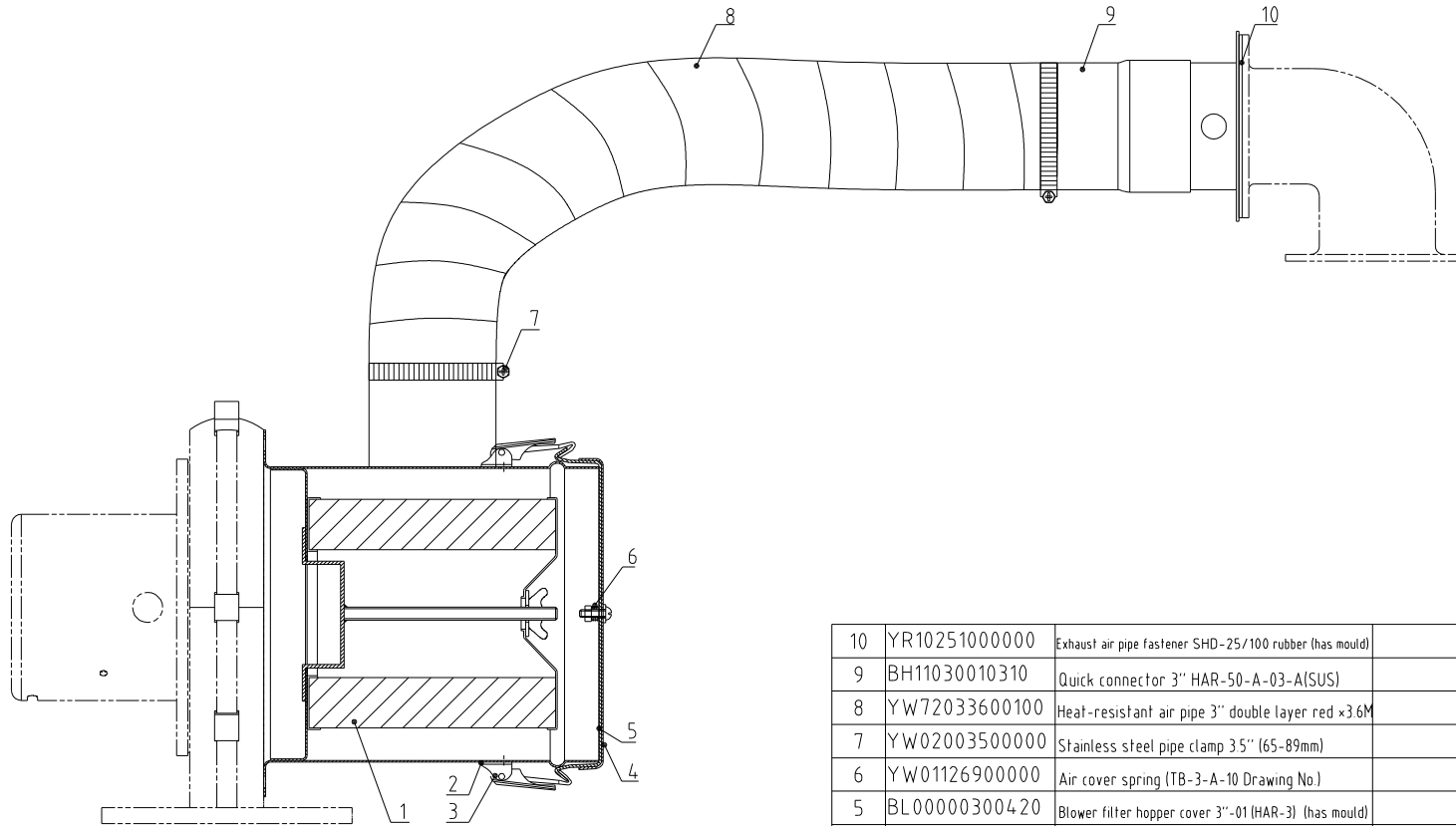
4.6	YL01500800100	Pipe heater SHD-50E-A-08 drawing ver 0 Longfeng	welding parts	1
4.5	YE90055013000	Thermocouple 5*55L+M8*11MSHD-40U-A-24 ver.0	Assembly	1
4.4	YW09125000100	Hopper rear button SHD-50E-A-07 drawing ver 0	Assembly	1
4.3	BH70500300150	Pipe heater SHD-50E-B-01 drawing 0-3.9KW3*1-400V	Assembly	1
4.2	YR10005000100	Cover fastener SHD-50 white silical gel (has mould)	White silica gel	1
4.1	YW90047802000	Hopper cover SHD-50E-A-04 drawing ver 0 Longfeng	SPCC1.2	1
4.0	YW62061000000	Large cross recessed flat head screw #S1111 M6x10-Longzine		3
3.9	BL01121400120	Handle hook SHD-12E-A-14(Ver.0)(has mould)	SUS201	1
3.8	YW66081600000	Large washer A grade GB/T193.1(8.4*16*1.6)		12
3.7	YW60083000200	Hex bolt GB/T5783 M8x30-8-8-Longzine		4
3.6	BW09202000000	Square plate SEHD-100-A-09 (ver.0)(has mould)	SPCC1.0	1
3.5	YW67030800000	Cross recessed pan head self-tapping set screw GB6560 M3-8-Longzine		2
3.4	BE85013000550	Thermal protector K130 centigrade (wire 0.5M) (thermal protection normally open)(has rubber sleeve)	Assembly	1
3.3	YW00121000000	Handle hook SEHD-25-A-08(Ver.0)(has mould)	Assembly	1
3.2	YW64000500000	Hex nut M5 anti-loose		6
3.1	BW09000630040	Sight glass iron sheet six hole (chrome-plated) SEHD-12-A-16 (drawing ver 0)	SPCC2.0	1
3.0	YR40001200000	Acrylic six-hole SEHD-12-A-12 (ver 0) Mat. PC (has mould)	PC	1
2.9	YR40000600000	Sight glass fastener six hole(has mould) SEHD-12-A-11(Ver.0)	Rubber	1
2.8	SHD-50E-A-01	Storage hopper body	Assembly	1
2.7	YW66000600000	Ring opening GB/T896 6		2
2.6	YW90481203800	Horizontal pin 4.8 SHD-12EB (Longfeng)	Q235	2
2.5	YW66103200000	Large washer A grade GB/T196 10*10 5*30*2.5) -Longzine		2
2.4	YW90001200400	Star ring screw small M10*40 SHD-12EB (Longfeng)	Q235	2
2.3	YW90001200300	Star ring nut small SHD-12EB (Longfeng)	kirsite	2
2.2	BL01500600220	Upper screen SHD-50E-A-06 drawing ver 0	SUS201	1
2.1	YL01005000200	Lower screen assembly SHD-50E-A-05 drawing ver 0 Longfeng	SUS201	1
2.0	YW20005000300	Hopper SHD-50E-A-03 drawing ver 0 Longfeng	AC4B	1
1.9	BY10050003150	Base assembly HB-50 (Ver.B)	Assembly	1
1.8	YW80010200100	Plug 1/4		1
1.7	YW69042000200	Cross recessed pan head assembly screw GB/T 907L 4- M6*20-Longzine		2
1.6	YW67040600600	Cross recessed pan head self-tapping set screw GB6560 M4*6-Longzine		4
1.5	YW67051000700	Cross recessed pan head self-tapping set screw GB6560 M5*10-Longzine		4
1.4	BL01005000720	Control box short box SEHD-50-ALL-02 (Ver.B)	SPCC1.0	1
1.3	YW65008000100	Standard spring washer GB/T193 8-Longzine		16
1.2	YW66081900000	Flat washer 8x19x2.0 Longzine		4
1.1	YW60082500100	Hex bolt GB/T5783 M8x25-12.9-Longzine		12
1.0	YM40503400200	Blower 2.5'150E13080V-4.15V/50/60HZ/170W/220V	Assembly	1
9	YW64000600200	Hex nut M6 (anti-loose)		2
8	YW61062500000	Inner hex column head screw GB/T10.1 M6x25-A2-70SUS		2
7	YW65006000100	Standard spring washer GB/T193 6-Longzine		8
6	YW66061300000	Flat washer A grade GB/T193.1-6-Longzine		8
5	YW60061200000	Hex bolt GB/T5783 M6x12-12.9-Longzine		8
4	YW90001200100	Hopper cover hinge SHD-12E-A-10 drawing ver 0	Assembly	1
3	YW63061500000	Cross recessed pan head screw GB/T.1-B18 M6x15-Longzine		4
2	YR10500900300	Exhaust air pipe fastener SHD-50-A-10 (ver.B) rubber (has mould)	Rubber	1
1	BA10500707010	Exhaust air pipe SEHD-50-A-07 (ver.0)(has painted)(has mould)	AC4B	1

制图	版号	标题	SHD-50E	图号	比例	1:8	数量	
设计	核准	料斗干燥机						
校对	核准	SHINI 信易电热机械股份有限公司	Shini Plastics Technologies, Inc.	表面要求				
标记	更改前	更改后	更改人	日期	审核	日期		



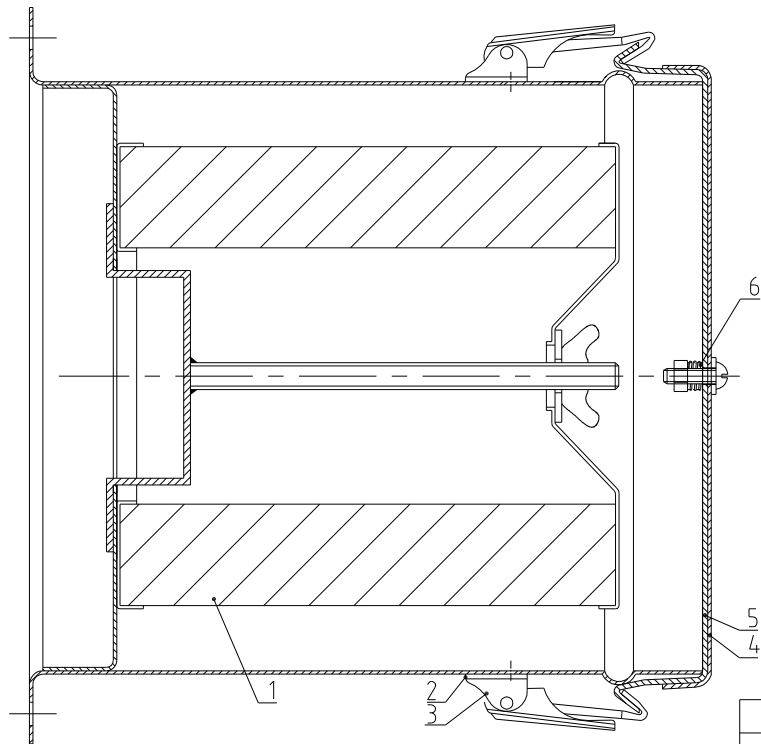
8	YW02003000400	Adjustable snap hook SAL-6U-A-35(ver.c)		3	
7	YW20002507000	Exhaust air pipe SHD-25EB-A-03(ver.0)(Longfeng)		1	
6	YR10251000000	Exhaust air pipe fastener SHD-25EB-A-03 rubber (has mould)		2	
5	YR50181100000	Filter ADC2 fastener rubber (SMD-1000H-A-ALL-09) ver.0		1	
4	YE66515800000	PVC hose 2" inner dia. 50mm×0.8mm		1	
3	YW02002500000	Stainless steel pipe clamp 2.5"(4.0-64mm)		2	
2	YR40012500000	Plastic connector 1.25"		1	
1	YR40000000100	Bottom plug ADC-1-A-05 ver.0 (has mould)		1	
序号	代号	名称	材质	数量	备注

					制图	版号	标题	图号	比例	1:6	数量	1
					设计	核准	排风空气滤清器	ADC-2-ALL			材质	
					校对		信易电热机械股份有限公司 Shini Plastics Technologies, Inc.		表面要求			
标记	更改前	更改后	更改人	日期	审核	日期			物料号			



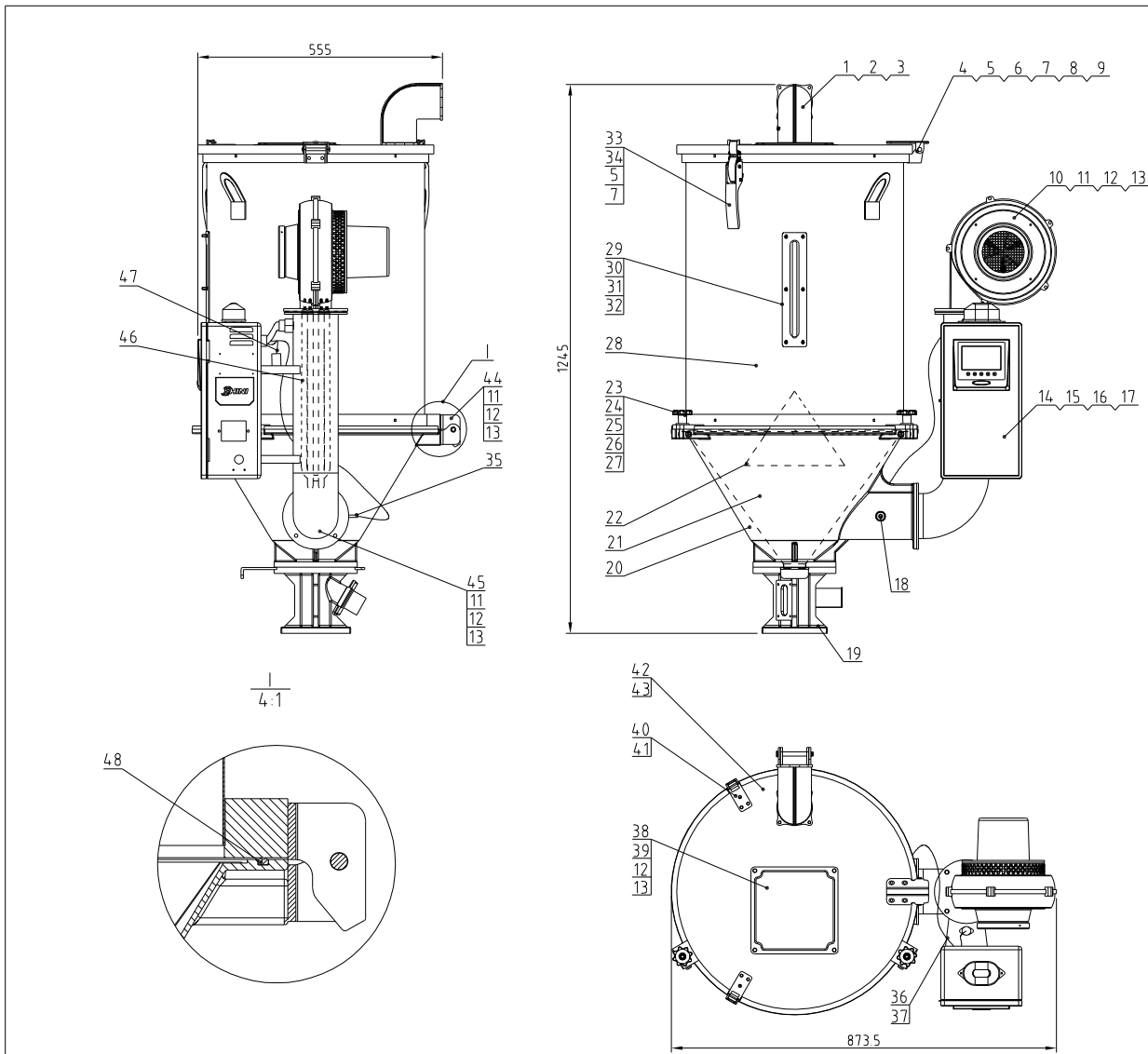
10	YR10251000000	Exhaust air pipe fastener SHD-25/100 rubber (has mould)		1	
9	BH11030010310	Quick connector 3" HAR-50-A-03-A(SUS)		1	
8	YW72033600100	Heat-resistant air pipe 3" double layer red x3.6M	0.35		
7	YW02003500000	Stainless steel pipe clamp 3.5" (65-89mm)		2	
6	YW01126900000	Air cover spring (TB-3-A-10 Drawing No.)		1	
5	BL00000300420	Blower filter hopper cover 3"-01 (HAR-3) (has mould)		1	
4	BL00000300320	Blower filter hopper air cover 3"-02 (HAR-3) (has mould)		1	
3	YW02003000400	Adjustable snap hook SAL-6U-A-35(ver.c)		2	
2	YR40000600800	Adjustable snap hook pad SAL-6U(white)(has mould)		2	
1	YR50138000000	Filter ADC14 foamed rubber (AIF-12-A-ALL-01) ver.0		1	
序号	代号	名称	材料	数量	备注

					制图	版号	标题	图号	比例	1:4	数量	1
					设计	核准	HAR-50	HAR-50-ALL		材质		
					校对		热风回收器					
标记	更改前	更改后	更改人	日期	审核	日期	信易电热机械股份有限公司 Shini Plastics Technologies, Inc.				表面要求	
						20200522					物料号	



6	YW01126900000	Air cover spring (TB-3-A-10 Drawing No.)		1	
5	BL00000300420	Blower filter barrel cover 3"-01(HAR-3)(has mould)		1	
4	BL00000300320	Blower filter barrel air cover 3"-02(HAR-3)(has mould)		1	
3	YW02003000400	Adjustable snap hook SAL-6U-A-35(ver.c)		2	
2	YR40000600800	Adjustable snap hook pad SAL-6U(white)(has mould)		2	
1	YR50138000000	Filter ADC14 foamed rubber (AIF-12-A-ALL-01) ver.0		1	
序号	代号	名称	材料	数量	备注

					制图	版号	标题	图号	比例	1:2	数量	1
					设计	核准	AIF-50EB	AIF-50EB-ALL				
				校对		风机入口过滤器		表面要求				
标记	更改前	更改后	更改人	日期	审核	日期	20200522	信易電熱機械股份有限公司 Shini Plastics Technologies, Inc.	物料号			



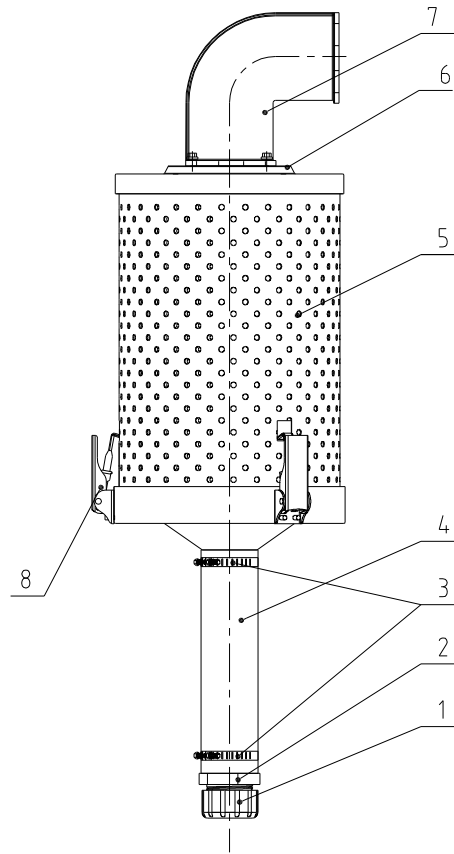
Blower Power	Pipe Heater Power	Hopper Capacity	Machine Version
50Hz:0.17kW	60Hz:0.205kW	4.2kW	75kg
			Ver D

46	BH7050300050	Pipe heater SHD-75E-B-01 drawing ver 0 -L 2KW3φ400V	Assembly	1
45	YL01500800100	Pipe heater SHD-50E-A-08 drawing ver 0 Longfeng	welding parts	1
44	YW09125000100	Hopper rear button SHD-50E-A-07 drawing ver 0	Assembly	1
43	YR10010040000	Cover fastener SHD-100 white silical gel (has mould)	White silica gel	1
42	YW90007500100	Hopper cover SHD-75E-A-01 (ver 0) Longfeng	SPCC15	1
41	YW62061000000	Large cross recessed flat head screw JIS1111 M6x10-Longzine		6
40	BL01121400120	Handle hook SHD-12E-A-1L(ver 0)(has mould)	SUS201	2
39	YW60083000200	Hex bolt GB/T5783 M8x30-8-8-Longzine		4
38	BW09202000000	Square plate SEHD-100-A-09 (ver 0)(has mould)	SPCC10	1
37	YW67030800000	Cross recessed pan head self-tapping self screw GB6560 M5x8-Longzine		2
36	BE85013000550	Thermal protector K130 centigrade (wire 0.5M) (Thermal protection normally open)(has rubber sleeve)	Assembly	1
35	YE90056500700	Thermocouple 5x55-MS-TW pipe (SEHD-50-ALL-07 ver 0)	Assembly	1
34	YW66061300000	Flat washer A grade GB/T971.6-Longzine		2
33	YW00121000000	Handle SEHD-25-A-08 (ver 0)(has mould)	Assembly	2
32	YW64000500000	Hex nut M5 anti-loose		6
31	BW09000630040	Sight glass iron sheet six hole (chrome-plated)	SPCC	1
30	YR40001200000	Acrylic six-hole SEHD-12-A-12 (ver 0) Mat: PC (has mould)	PC	1
29	YR40000600000	Sight glass iron sheet six hole (chrome-plated) SEHD-12-A-11 (drawing ver 0)	Rubber	1
28	SHD-75E-A-05	Storage hopper body	Assembly	1
27	YW66000600000	Ring opening GB/T896.6		2
26	YW90661003800	Horizontal pin 66100/200/400 (Longfeng) 100 pcs/bag		2
25	YW66103200000	Large washer A grade GB796 100(5x30x2.5) -Longzine		2
24	YW90001200400	Star ring screw small M10x4.0 SHD-12EB (Longfeng)		2
23	YW90001200300	Star ring nut small SHD-12EB (Longfeng)		2
22	BL01750600121	Upper screen assembly SHD-75E-A-06 drawing ver 0 Longfeng	SUS201	1
21	YL01007500100	Lower screen assembly SHD-75E-A-03 drawing ver 0 Longfeng	SUS201	1
20	YW20007500200	Hopper SHD-75E-A-04 drawing ver 0 Longfeng	AC4B	1
19	BY10050003150	Base assembly HB-50 (Ver B)	Assembly	1
18	YW80010200100	Plug 1/4		1
17	YW69042000200	Cross recessed pan head assembly screw GB/T 9074.4- M6x20-Longzine		2
16	YW67040600600	Cross recessed pan head self-tapping set screw GB6560 M4x6-Longzine		4
15	YW67051000700	Cross recessed pan head self-tapping set screw GB6560 M5x10-Longzine		4
14	BL01005000720	Control box short box SEHD-50-ALL-02 (ver B)	SPCC1.0	1
13	YW65008000100	Standard spring washer GB/T93 8-Longzine		16
12	YW66081600000	Flat A washer GB/T97.1(8.4x16x1.6) Longzine		16
11	YW60082500100	Hex bolt GB/T5783 M8x25-12.9-Longzine		12
10	YM40503400200	Blower 2.5T50E13080V-4T5V/50/60HZ/170W/220W	Assembly	1
9	YW64000600200	Hex nut M6 (anti-loose)		2
8	YW61062500000	Inner hex column head screw GB/T170 M6x25-A2-70(SUS)		2
7	YW65006000100	Standard spring washer GB/T93 6-Longzine		8
6	YW66061800000	Flat washer A grade GB/T97.1.6-Longzine		4
5	YW60061200000	Hex bolt GB/T5783 M6x12-12.9-Longzine		8
4	YW90001200100	Hopper cover hinge SHD-12EB-A-10 drawing ver 0	Assembly	1
3	YW63061500000	Cross recessed pan head screw GB/T-818 M6x15-Longzine		4
2	YR10500900300	Exhaust air pipe fastener SHD-50-A-10 (ver 0) rubber flange mould	Rubber	1
1	BA10500707010	Exhaust air pipe SEHD-50-A-07 (ver 0)(has painted)(has mould)	AC4B	1

48	YR20060402000	Sealing silicone strip 6x4SHD-12EB (Longfeng)	silical gel	1
47	YE60122000100	High-grade plastic coated metal hoseφ12(100-132mm) Two ends are connected with anti-static wire M2x1.5	Assembly	1

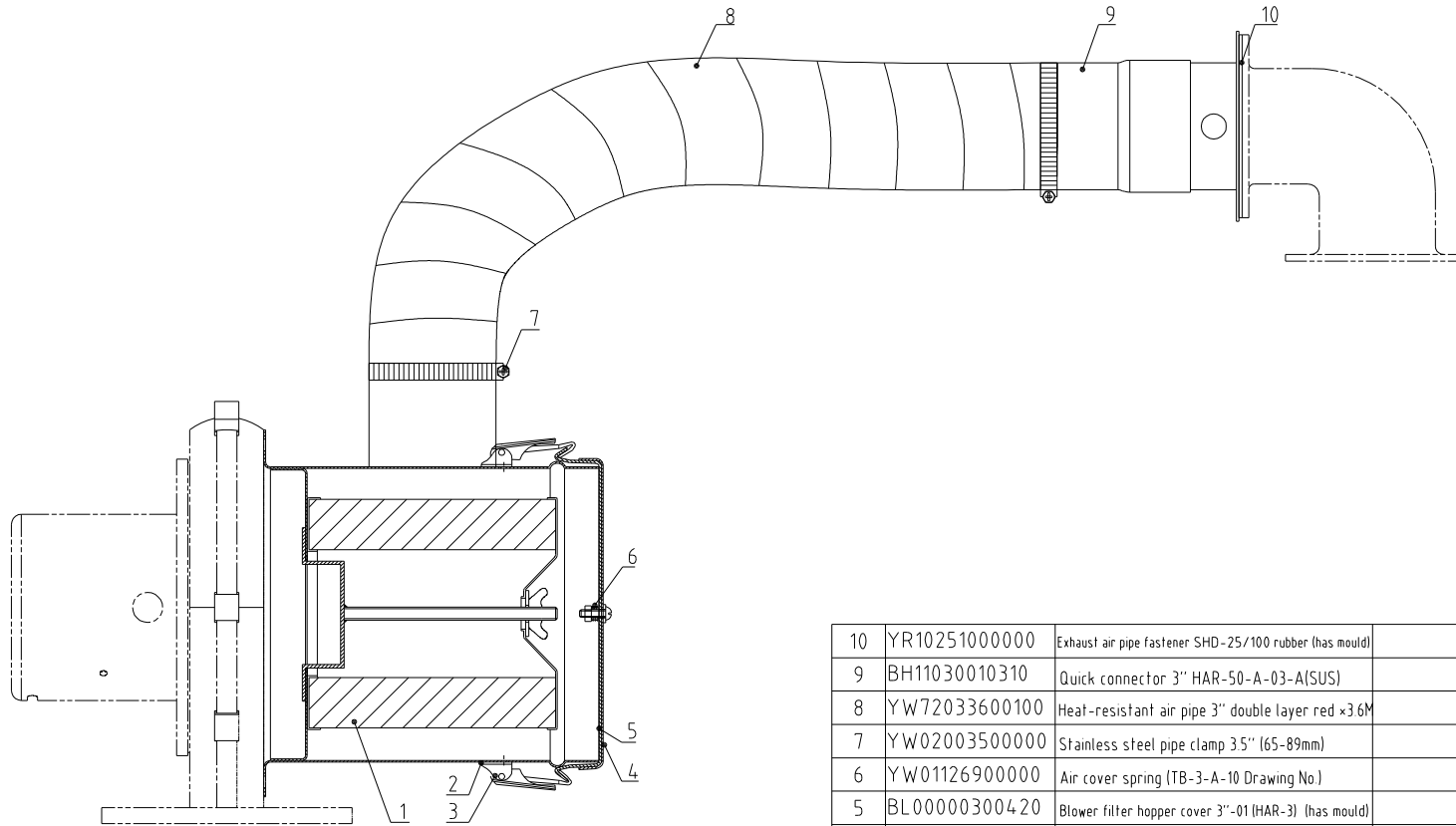
制图	版号	标题	SHD-75E	图号	比例	1:10	数量
设计	核准	料斗干燥机			材质		
校对	审核				表面要求		
标记	更改前	更改后	更改人	日期	审核	日期	物料号





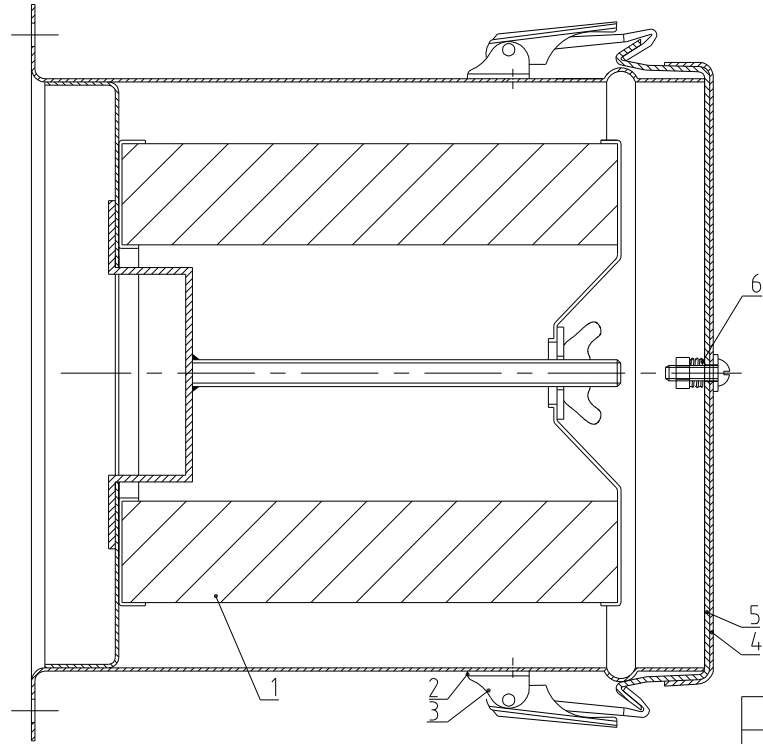
8	YW02003000400	Adjustable snap hook SAL-6U-A-35(ver.c)		3	
7	YW20002507000	Exhaust air pipe SHD-25EB-A-03(ver.0)(Longfeng)		1	
6	YR10251000000	Exhaust air pipe fastener SHD-25EB-A-03 rubber (has mould)		2	
5	YR50181100000	Filter ADC2 fastener rubber (SMD-1000H-A-ALL-09) ver.0		1	
4	YE66515800000	PVC hose 2" inner dia. 50mm×0.8mm		1	
3	YW02002500000	Stainless steel pipe clamp 2.5"(4.0-64mm)		2	
2	YR40012500000	Plastic connector 1.25"		1	
1	YR40000000100	Bottom plug ADC-1-A-05 ver.0 (has mould)		1	
序号	代号	名称	材质	数量	备注

					制图		版号		标题	ADC-2	图号	ADC-2-ALL	比例	1:6	数量	1
					设计		核准		排风空气滤清器						材质	
					校对				SHINI 信易电热机械股份有限公司 Shini Plastics Technologies, Inc.			表面要求				
标记	更改前	更改后	更改人	日期	审核		日期			物料号						



10	YR10251000000	Exhaust air pipe fastener SHD-25/100 rubber (has mould)		1	
9	BH11030010310	Quick connector 3" HAR-50-A-03-A(SUS)		1	
8	YW72033600100	Heat-resistant air pipe 3" double layer red x3.6M		0.35	
7	YW02003500000	Stainless steel pipe clamp 3.5" (65-89mm)		2	
6	YW01126900000	Air cover spring (TB-3-A-10 Drawing No.)		1	
5	BL00000300420	Blower filter hopper cover 3"-01 (HAR-3) (has mould)		1	
4	BL00000300320	Blower filter hopper air cover 3"-02 (HAR-3) (has mould)		1	
3	YW02003000400	Adjustable snap hook SAL-6U-A-35(ver.c)		2	
2	YR40000600800	Adjustable snap hook pad SAL-6U(white)(has mould)		2	
1	YR50138000000	Filter ADC14 foamed rubber (AIF-12-A-ALL-01) ver.0		1	
序号	代号	名称	材料	数量	备注

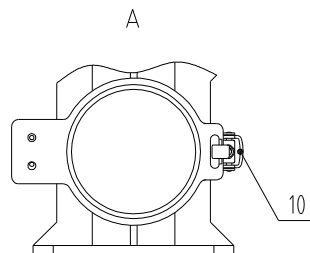
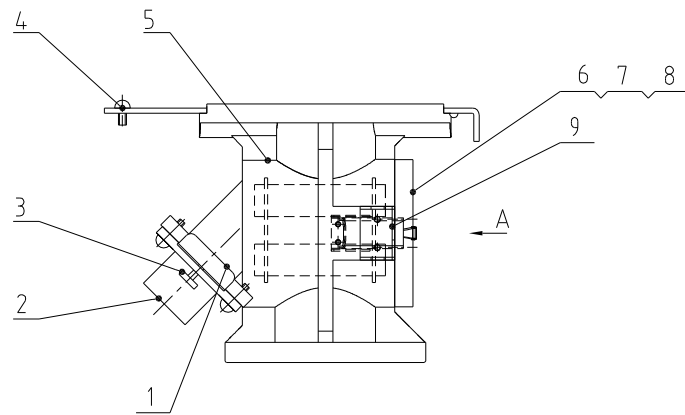
					制图	版号	标题	图号	比例	1:4	数量	1
					设计	核准	HAR-50	HAR-50-ALL			材质	
					校对		信易電熱機械股份有限公司 Shini Plastics Technologies, Inc.	表面要求				
标记	更改前	更改后	更改人	日期	审核	日期		20200522	物料号			



6	YW01126900000	Air cover spring (TB-3-A-10 Drawing No.)		1	
5	BL00000300420	Blower filter barrel cover 3"-01(HAR-3)(has mould)		1	
4	BL00000300320	Blower filter barrel air cover 3"-02(HAR-3)(has mould)		1	
3	YW02003000400	Adjustable snap hook SAL-6U-A-35(ver.c)		2	
2	YR40000600800	Adjustable snap hook pad SAL-6U(white)(has mould)		2	
1	YR50138000000	Filter ADC14 foamed rubber (AIF-12-A-ALL-01) ver.0		1	

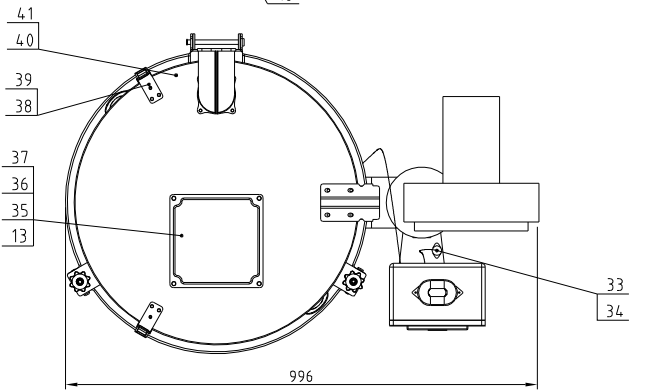
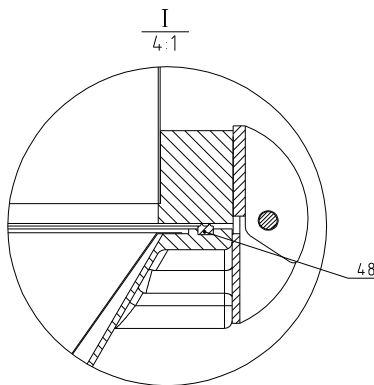
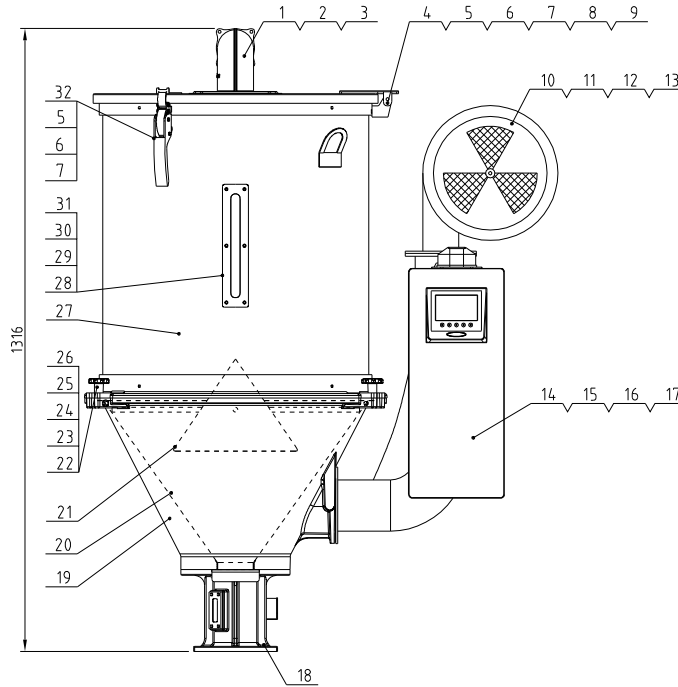
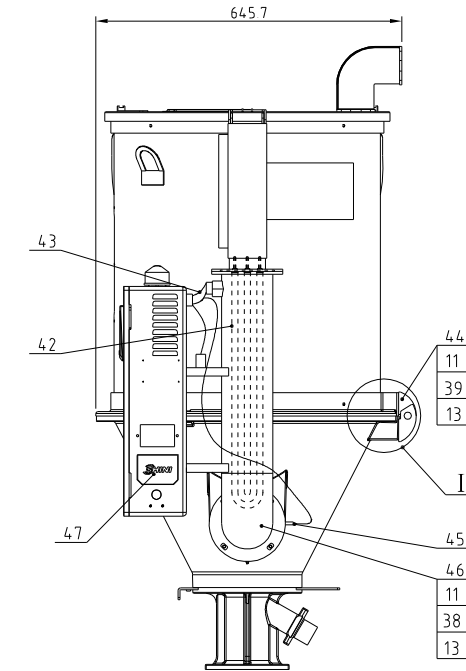
序号	代号	名称	材料	数量	备注
----	----	----	----	----	----

					制图	版号	标题	图号	比例	1:2	数量	1
					设计	核准	AIF-50EB 风机入口过滤器	AIF-50EB-ALL		材质		
					校对		信易電熱機械股份有限公司 Shini Plastics Technologies, Inc.		表面要求			
标记	更改前	更改后	更改人	日期	审核	日期			20200522	物料号		



10	YW02003000400	Adjustable snap hook SAL-6U-A-35		1	
9	YW09050200000	Magnetic base hinge SCM-38-A-21/SGD-A-12 (ver.0)(has mould)		1	
8	YW01005000100	Magnetic base spring SHD-50-A-101		1	
7	YW70097500000	Sight glass 50KG($\phi 97 \times 5$ mm)SHD-50-A-106(ver.C)		1	
6	BA10005000210	Magnetic base mirror frame SHD-50-A-96-0(processed)(has mould)		1	
5	BA20005000310	Magnetic base SHD-50-A-51(processed)(has mould)		1	
4	YW07001200000	Large shut-off plate HB-12-A-02(ver.A)(has mould)		1	
3	YW69616100000	Manual screw M6 \times 16 \times 16		1	
2	YA10005000100	Discharge port (has mould) SEHD-50-ALL-03(ver.0)		1	
1	YW09125000000	Small shut-off plate HB-12/50 T:1.4mm HB-12-A-03(ver.0)(has mould)		1	
序号	代号	名称	材质	数量	备注

					制图	版号	标题	图号	比例	1:5	数量	1	
					设计	核准	MB-50 磁力底座	MB-50-ALL		材质			
					校对		信易電熱機械股份有限公司 Shini Plastics Technologies, Inc.				表面要求		
标记	更改前	更改后	更改人	日期	审核	日期					20130108		



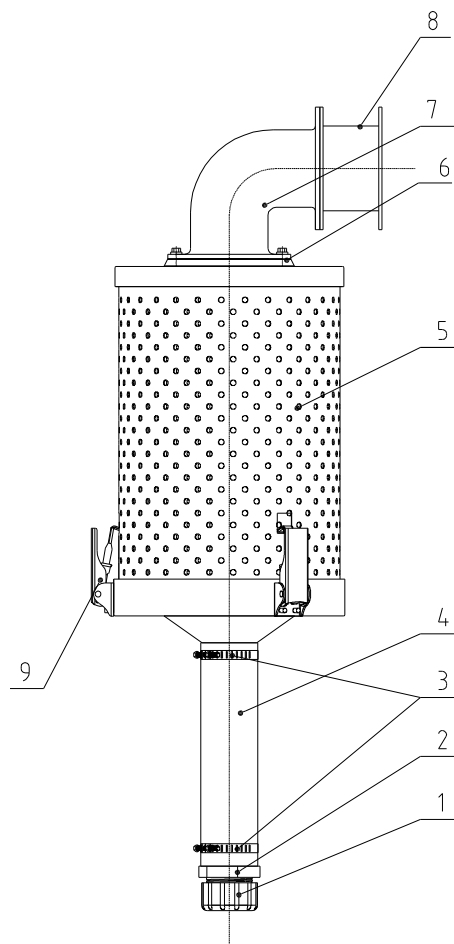
4.8	YR20861000100	Seal silica gel 64(100/200/400) (Longfeng)	Silica gel	1.88mm	
4.7	YR4.0485500100	Comminution injection safety plate 300*300*10 (Longfeng)	ABS+30%PC	1	

Blower power		Heater pipe power	Hopper capacity	Ver.
50Hz:0.2kW	60Hz:0.24kW	6kW	100kg	Ver.D

4.6	YL011000000200	Hot air pipe 30-100±0.1 (Longfeng ver.1)	Weldment	1	
4.5	YE90056500700	Temperature 640-600 30 (Mater. 300-300 40 40)	Assembly	1	
4.4	YW90010000200	Upper ring 30-100±0.1 (Longfeng ver.1)	Assembly	1	
4.3	YE60122000100	Upper ring 30-100±0.1 (Longfeng ver.1)	Assembly	1	
4.2	BH70103800050	Hot air pipe 30-100±0.1 (Longfeng ver.1)	Assembly	1	
4.1	YR10010040000	Cover tightly with SHD-100	White silical gal	1	
4.0	YW90010002800	Upper cover 30-100±0.1 (Longfeng ver.1)	SPCC1.5	1	
3.9	YW62061000000	Large cover sheet for hot cover 1000x1000 (Longfeng)		6	
3.8	BL011214.00120	Hot tank 30-100±0.1 (Longfeng ver.1)	SUS201	2	
3.7	YW66081600000	Flat Washer Grade A (R.4x10x1.6)		12	
3.6	YW60083000200	Hopper cover belt Q235 100x2.0x1.6 (Longfeng)		4	
3.5	BW09202000000	Square plate SUS-100±0.1 (ver.0) (Longfeng)	SPCC1.0	1	
3.4	YW67030800000	Cover sheet for hot tank ver.1 (Longfeng)		2	
3.3	BE85018000350	Temperature 640-600 30 (Mater. 300-300 40 40)	Assembly	1	
3.2	YW00121000000	Hexagon SUS-20±0.1 (ver.0) (Longfeng)	Assembly	2	
3.1	YW64.000500000	Hexagonal nut M5 anti-loose		6	
3.0	BW09000063004.0	Flat plate 66(100/200/400) (Longfeng)	SPCC2.0	1	
2.9	YR4.00012000000	Seal for hot tank 30-100±0.1 (Longfeng)	PC	1	
2.8	YR4.00006000000	Seal for hot tank 30-100±0.1 (Longfeng)	Rubber	1	
2.7	SHD-100E-A-01	Material storage tank	Assembly	1	
2.6	YW6600006000000	Open retaining ring Q235 100x2.0		2	
2.5	YW90661003800	Long hinge 66(100/200/400) (Longfeng)	Q235	2	
2.4	YW66103200000	Flat washer 1 grade Q235 10x10x1.6 (Longfeng)		2	
2.3	YW900012004.00	Hot air ring cover 30-100±0.1 (Longfeng)	Q235	2	
2.2	YW900012003.00	Hot air ring cover 30-100±0.1 (Longfeng)	Zinc alloy	2	
2.1	BL01100600220	Upper screen SHD-100±0.1 (Longfeng)	SUS201	1	
2.0	YL01010000200	Lower screen SHD-100±0.1 (Longfeng)	SUS201	1	
1.9	YW20100003800	Hopper SHD-100±0.1 (Longfeng)	AC4B	1	
1.8	BY10010000850	Base assembly SHD-100E (Longfeng)	Assembly	1	
1.7	YW67042000600	Cover sheet for hot tank cover 1000x1000 (Longfeng)		2	
1.6	YW67040600600	Cover sheet for hot tank cover 1000x1000 (Longfeng)		4	
1.5	YW67051000700	Cover sheet for hot tank cover 1000x1000 (Longfeng)		4	
1.4	BL01500200121	Control box sheet for SHD-100±0.1 (ver.2)	SPCC1.0	1	
1.3	YW65008000100	Standard spring washer Q235 8 (Longfeng)		16	
1.2	YW66081900000	Flat washer 8x19x2.0 (Longfeng)		4	
1.1	YW60082500100	Hopper cover belt Q235 100x2.0x1.6 (Longfeng)		12	
1.0	YM4.034.0000200	Motor 1/2HP 140W 140V 1400RPM 200V 200W	Assembly	1	
9	YW64.000800100	Non-metal insect screen net Q235 1.8		2	
8	YW60830000000	Hopper sheet for hot cover Q235 100x2.0x1.6 (Longfeng)		2	
7	YW65006000100	Standard spring washer Q235 8 (Longfeng)		8	
6	YW66061300000	Flat washer 1 grade Q235 10x10x1.6 (Longfeng)		8	
5	YW60061200000	Hopper cover belt Q235 100x2.0x1.6 (Longfeng)		8	
4	YW90010000100	Upper ring 30-100±0.1 (Longfeng ver.1)	Assembly	1	
3	YW63061500000	Cover sheet for hot cover Q235 100x2.0x1.6 (Longfeng)		4	
2	YR10500900300	Seal for hot tank 30-100±0.1 (Longfeng)	Rubber	1	
1	BA10500707010	Hot air pipe 30-100±0.1 (Longfeng)	AC4B	1	

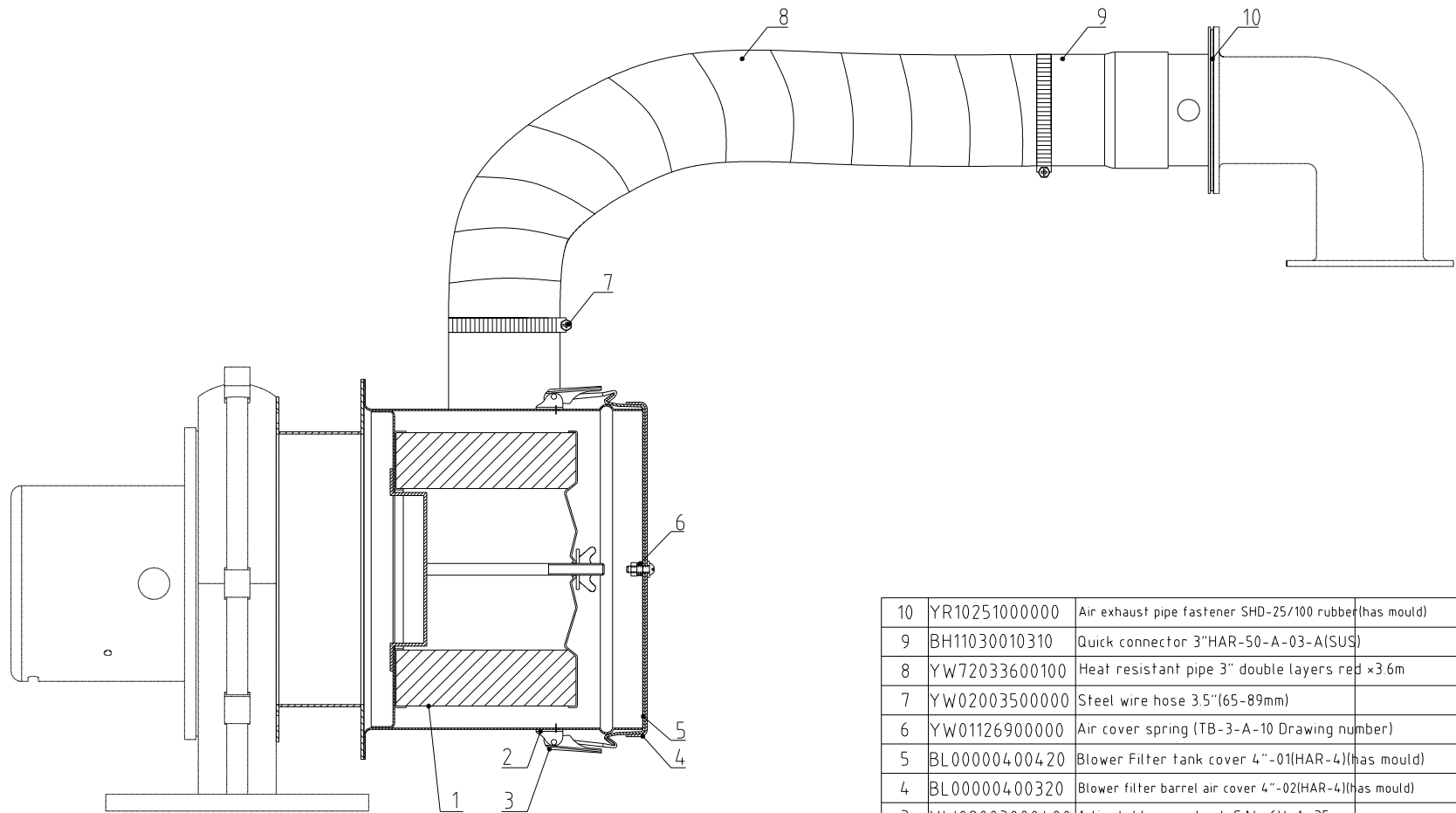
制图	版号	标题	SHD-100E	图号		比例	1:10	数量		备注
设计	核准	料斗干燥机								
校对										
标记	更改前	更改后	更改人	日期	审核	日期				
							表面要求	/		
							物料号	/		





9	YW02003000400	Adjustable spring buckle SAL-6U-A-35(Ver C)	3		
8	BL90000200120	Adapter flange ADC-2EB-A-01(Ver 0)	1		
7	YW20002507000	Air exhaust pipe SHD-25EB-A-03(Ver 0)(Longfeng)	1		
6	YR10251000000	Air exhaust pipe fastener SHD-25/100 rubber(has mould)	2		
5	YR50181100000	Filter ADC2 rubber fastener (SMD-1000H-A-ALL-09) ver 0	1		
4	YE66515800000	PVC transparent hose 2" inner dia 50mm×0.8mm	1		
3	YW02002500000	Stainless steel pipe clamp 2.5"(40-64mm)	2		
2	YR40012500000	Plastics connector 1.25"	1		
1	YR40000000100	Bottom plug ADC-1-A-05 Ver 0(has mould)	1		
序号	代号	名称	材质	数量	备注

					制图	版号	标题	图号	比例	1:6	数量	1
					设计	核准	ADC-2EB 排风空气滤清器	ADC-2EB-ALL			材质	
					校对		信易電熱機械股份有限公司 Shini Plastics Technologies, Inc.		表面要求			
标记	更改前	更改后	更改人	日期	审核	日期			物料号			

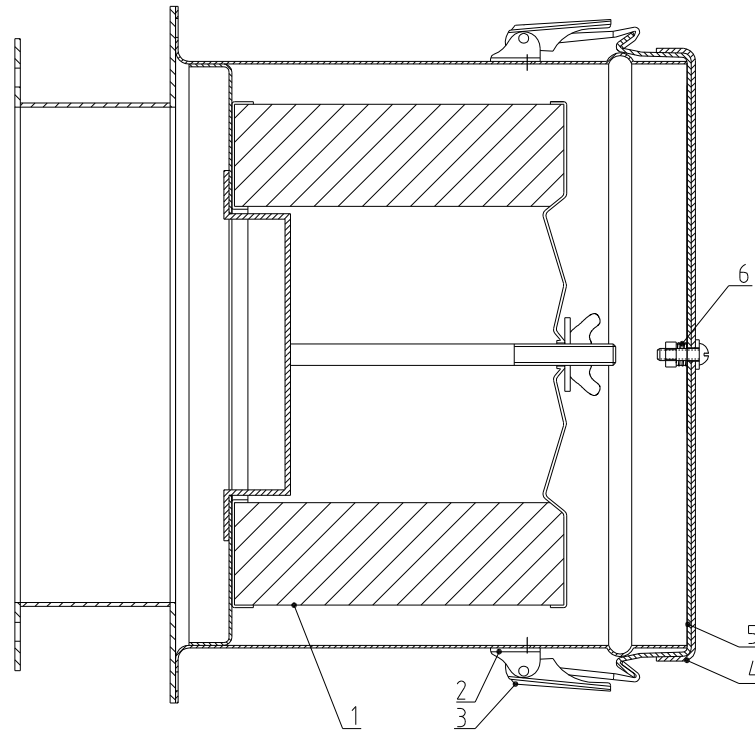


10	YR10251000000	Air exhaust pipe fastener SHD-25/100 rubber(has mould)	1		
9	BH11030010310	Quick connector 3"HAR-50-A-03-A(SUS)	1		
8	YW72033600100	Heat resistant pipe 3" double layers red ×3.6m	0.35		
7	YW02003500000	Steel wire hose 3.5"(65-89mm)	2		
6	YW01126900000	Air cover spring (TB-3-A-10 Drawing number)	1		
5	BL000004.004.20	Blower Filter tank cover 4"-01(HAR-4)(has mould)	1		
4	BL000004.003.20	Blower filter barrel air cover 4"-02(HAR-4)(has mould)	1		
3	YW020030004.00	Adjustable snap hook SAL-6U-A-35	2		
2	YR40000600800	Snap hook plastic block SAL-6U(white)(has mould)	2		
1	YR50708000100	Filter189×115×125 SAL-700G-A-20(Ver.01)(Rubber fastener)	1		
序号	代号	名称	材料	数量	备注

					制图	版号	0	标题	HAR-100EB	图号	HAR-100EB-A-ALL	比例	1:4	数量	1
					设计	核准			熱風回收器						
					校对										
标记	更改前	更改后	更改人	日期	审核	日期	20200917					表面要求			
												物料号			

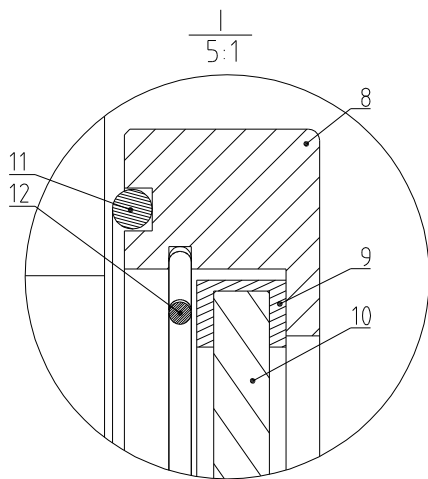
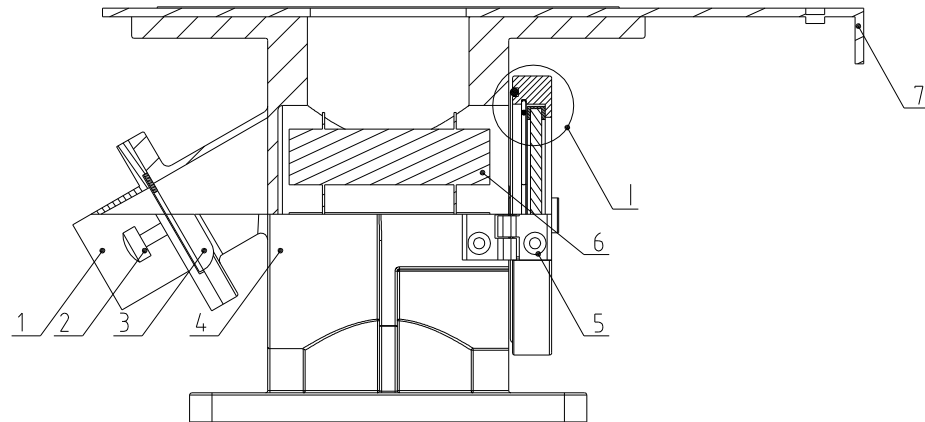
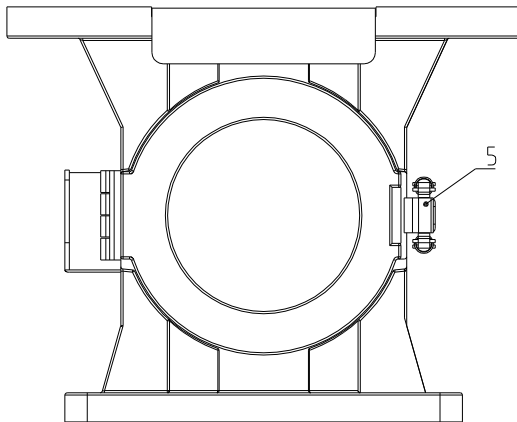


信易電熱機械股份有限公司
Shini Plastics Technologies, Inc.



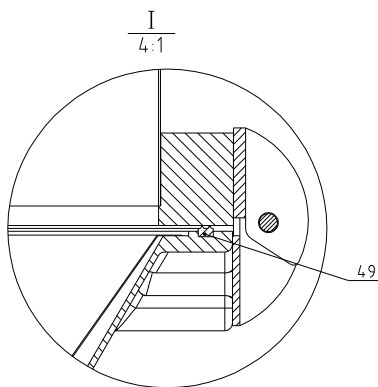
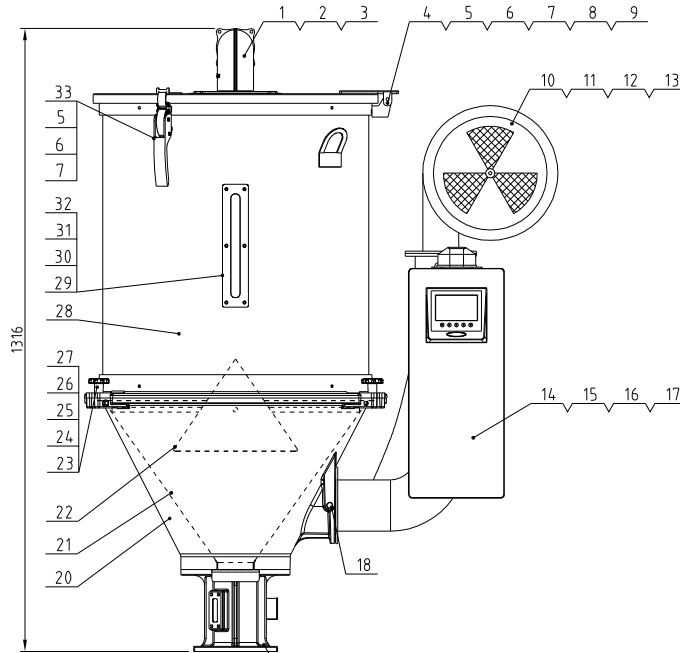
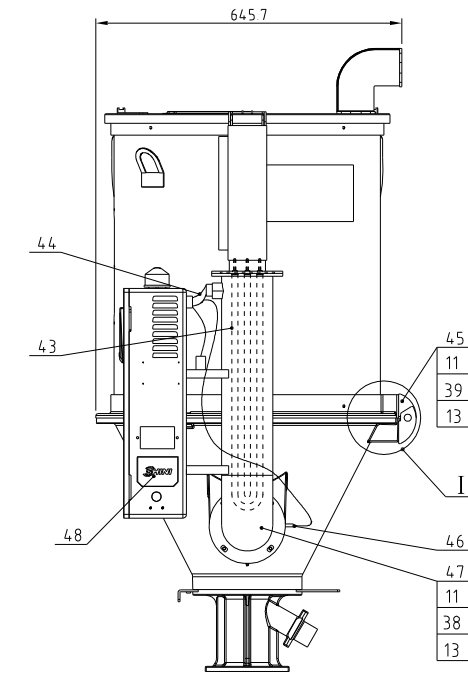
6	YW01126900000	Air cover spring (TB-3-A-10 Drawing number)		1	
5	BL00000400420	Blower Filter tank cover 4"-01(HAR-4)(has mould)		1	
4	BL00000400320	Blower filter barrel air cover 4"-02(HAR-4)(has mould)		1	
3	YW02003000400	Adjustable snap hook SAL-6U-A-35		2	
2	YR40000600800	Snap hook plastic block SAL-6U(white)(has mould)		2	
1	YR50708000100	Filter 189×115×125 SAL-700G-A-20(Ver 0)(Rubber fastener)		1	
序号	代号	名称	材料	数量	备注

					制图	版号	标题	图号	比例	1:2.5	数量	1
					设计	核准	AIF-100EB 风机入口过滤器	AIF-100EB-A-ALL		材质		
					校对			信易電熱機械股份有限公司 Shini Plastics Technologies, Inc.	表面要求			
标记	更改前	更改后	更改人	日期	审核	日期	20200917			物料号		



12	YA10030408000	Magnetic base 304 clamp 25-150KG (Longfeng)	1		
11	YA10254008800	Magnetic base oil seal 25-150KG (Longfeng)	1		
10	YA10254008000	Magnetic base glass 25-150KG (Longfeng)	1		
9	YA10040008800	Magnetic base glass gasket 25-150KG (Longfeng) MB-100EB-A-01 (version 0)	1		
8	YA10251508000	Magnetic base aluminum ring 25-150KG (Longfeng)	1		
7	YW90010002900	Large drag board HB-100EB-A-02 (Version 0) (Width 100) (Longfeng) 20 pieces/box	1		
6	BA90251508010	Magnetic frame 25-150KG (Longfeng) 40 pieces/box	1		
5	YW09254008000	Magnetic base hinge/Buckle 25-400KG (Longfeng)	1		
4	BW20101500010	Magnetic base 100-150KG (Longfeng) (Painted)	1		
3	YW90125003000	Small drag board HB-12EB-A-03 (Version 0) (Width 50) 100 pieces/box	1		
2	YW69616100000	Hand screw M6×16×16	1		
1	YW20255001000	Discharge port HB-25EB-A-02 (Ver. A) (Longfeng)	1		
序号	代号	名称	材质	数量	备注

					制图	版号	标题	图号	比例	1:3	数量	1
					设计	核准	MB-100EB 磁力底座	MB-100EB-ALL	表面要求 材质			
					校对		信易電熱機械股份有限公司 Shini Plastics Technologies, Inc.					
标记	更改前	更改后	更改人	日期	审核	日期			20200522		物料号	

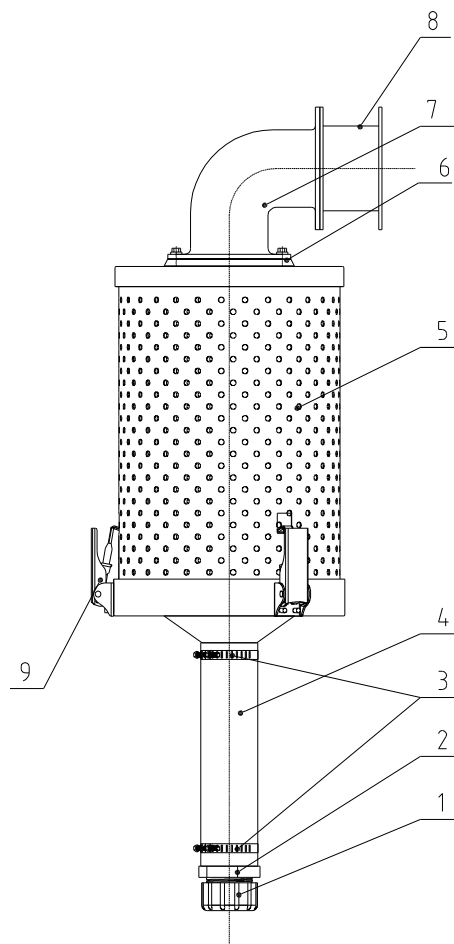


4.9	YR20861000100	Small silica gel 64(100/200/400) (Longfang)	silica gel	188mm
4.8	YR404.85500100	ABS combination bracket with hole for bearing version I (Longfang)	ABS+30%PC	1
4.7	YL01100000200	Hot air pipe 38-38E+38 bearing version I (Longfang)	Weldment	1

Blower power		Heater pipe power	Hopper Capacity	Ver.
50Hz:0.2kW	60Hz:0.24kW	6.6kW	100kg	Ver.D

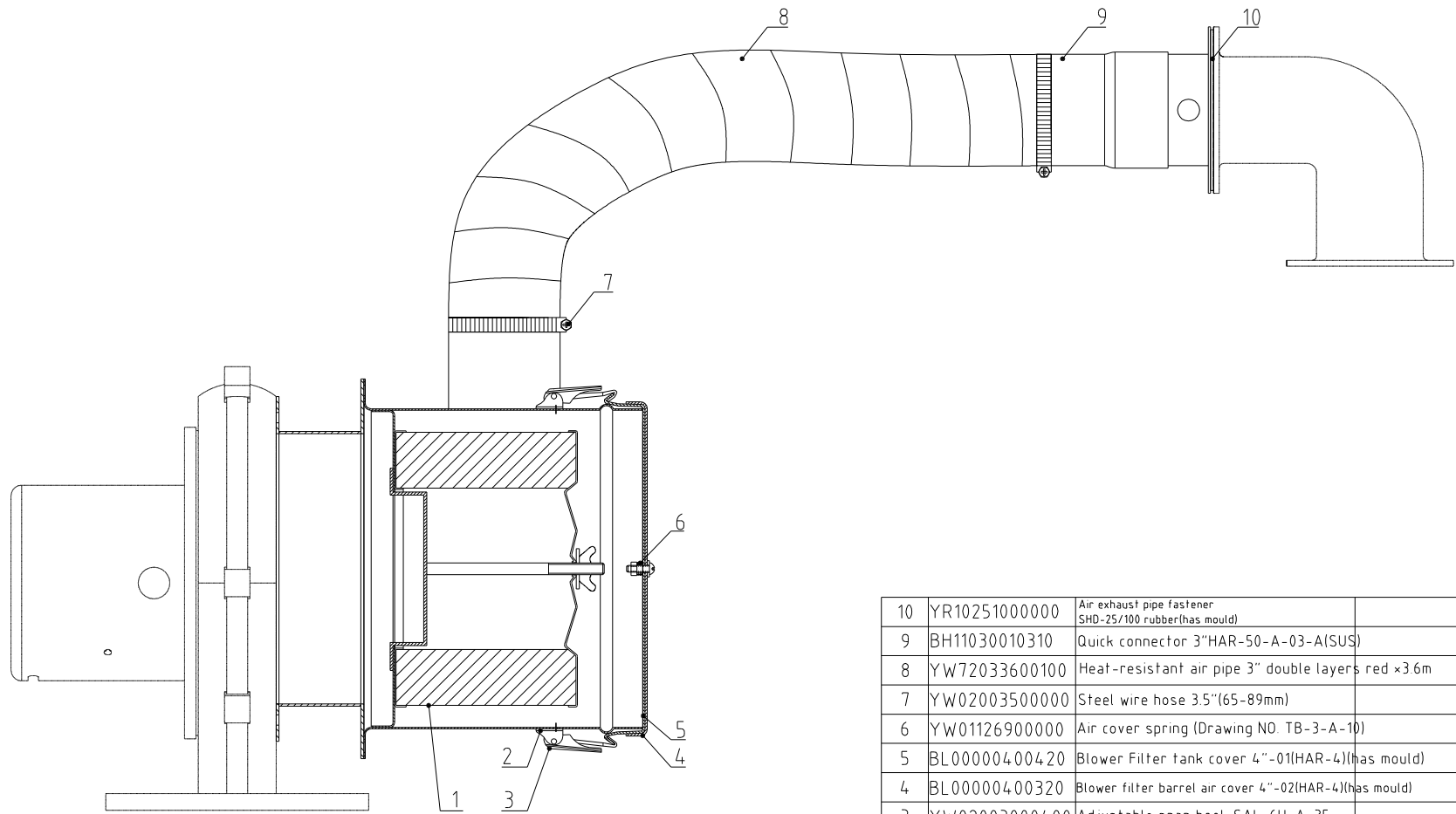
46	YE90056500700	Temperature gauge 40x110 (bearing version I) (Longfang)	assembly	1
45	YW90010000200	Head cap screw 38-38E+38 bearing version I (Longfang)	assembly	1
44	YE60122000100	Head cap screw 38-38E+38 bearing version I (Longfang)	assembly	1
4.3	BH70153800050	Pipe heater 38-38E+38 bearing version I (Longfang)	assembly	1
4.2	YR10010040000	cover fastener 38-38E silica gel (bearing version I) (Longfang)	white silica gel	1
4.1	YW90010002800	Upper cover 38-38E+38 bearing version I (Longfang)	SPCC15	1
4.0	YW62061000000	Large cover screw 38-38E+38 bearing version I (Longfang)		6
39	BL01121400120	Head lock 38-38E+38 bearing version I (bearing version I) (Longfang)	SUS201	2
38	YW66081600000	Flat washer 8x19x2.0 (Longfang)		12
37	YW60083000200	Hex. bolt G/75783 M6x20-1.6-Longfang		4
36	BW09202000000	Square plate 38E-38E+38 (bearing version I) (Longfang)	SPCC10	1
35	YW67030800000	Cover recessed pin head tapping screw 38E (Longfang)		2
34	BE85018000350	Hex. nut G/75783 M6x20-1.6-Longfang	assembly	1
33	YW00121000000	Hex. bolt 38E-38E+38 (bearing version I) (Longfang)	assembly	2
32	YW64.000500000	Hexagonal insert MS anti-loose		6
31	BW09000630040	8x16mm square plate 38E-38E+38 (bearing version I) (Longfang)	SPCC2.0	1
30	YR4.00012000000	Large air inlet 38E-38E+38 (bearing version I) (Longfang)	PC	1
29	YR4.00006000000	Large air inlet 38E-38E+38 (bearing version I) (Longfang)	Rubber	1
28	SHD-100E-A-01	Material storage tank	assembly	1
27	YW66000600000	E-rings GB/T896 6		2
26	YW90661003800	Long hinge 66(100/200/400) (Longfang)	Q235	2
25	YW66103200000	Flat washer 8x19x2.0 (Longfang)		2
24	YW900012004.00	Small air ring screw 38E-38E+38 bearing version I (Longfang)	Q235	2
23	YW90001200300	Small air ring screw 38E-38E+38 bearing version I (Longfang)	Zinc alloy	2
22	BL01100600220	Upper cover 38E-38E+38 bearing version I (Longfang)	SUS201	1
21	YL01010000200	Lower cover assembly 38E-38E+38 bearing version I (Longfang)	SUS201	1
20	YW20100003700	Upper cover 38E-38E+38 bearing version I (Longfang)	AC4B	1
19	BY10010000850	Base assembly 38E-100E (Longfang)	assembly	1
18	YW80010200100	Plug 1/4		1
17	YW6704.20006000	Cover recessed pin head tapping screw 38E (Longfang)		2
16	YW6704.06006000	Cover recessed pin head tapping screw 38E (Longfang)		4
15	YW6705.10007000	Cover recessed pin head tapping screw 38E (Longfang)		4
14	BL01500200121	Control box sheet 38E-38E+38 (bearing version I) (Longfang)	SPCC10	1
13	YW65008000100	Standard spring washer G/75783 (Longfang)		16
12	YW66081900000	Flat washer 8x19x2.0 (Longfang)		4
11	YW60082500100	Hexagonal bolt G/75783 M6x20-1.6-Longfang		12
10	YM4.034.0000200	Hex. nut 38E-38E+38 bearing version I (Longfang)	assembly	1
9	YW64.000800100	Non-metal insert hexagon nut G/75783 1.8		2
8	YW60830000000	Head cap screw G/75783 M6x20-1.6-Longfang		2
7	YW65006000100	Standard spring washer G/75783 (Longfang)		8
6	YW66061300000	Flat washer 8x19x2.0 (Longfang)		8
5	YW60061200000	Hex. bolt G/75783 M6x20-1.6-Longfang		8
4	YW90010000100	Upper cover 38E-38E+38 bearing version I (Longfang)	assembly	1
3	YW63061500000	Cover recessed pin head screw 38E (Longfang)		4
2	YR10500900300	Large air inlet 38E-38E+38 bearing version I (Longfang)	rubber	1
1	BA10500707010	Large air inlet 38E-38E+38 bearing version I (Longfang)	AC4B	1

标记	更改前	更改后	更改人	日期	制图	版号	标题	图号	比例	数量	备注
							SHD-100E-H		1:10		
							料斗干燥机				
							SHINI 信易电热机械股份有限公司 Shini Plastics Technologies, Inc.		表面要求		
								物料号			



9	YW02003000400	Adjustable spring buckle SAL-6U-A-35(Ver.C)	3		
8	BL90000200120	adapter flange ADC-2EB-A-01(Ver.0)	1		
7	YW20002507000	Air exhaust pipe SHD-25EB-A-03(Ver.0)(longfeng)	1		
6	YR10251000000	Air exhaust pipe fastener SHD-25/100 rubber(has mould)	2		
5	YR50181100000	FilterADC2 rubber fastener (SMD-1000H-A-ALL-09) Ver C	1		
4	YE66515800000	PVC transparent hose 2" inner dia. 50mm*0.8mm	1		
3	YW02002500000	Steel wire hose 2.5"(40-64mm)	2		
2	YR40012500000	Plastics connector 125"	1		
1	YR40000000100	Bottom plug ADC-1-A-05 Ver.0(has mould)	1		
序号	代号	名称	材质	数量	备注

					制图	版号	标题	图号	比例	1:6	数量	1
					设计	核准	ADC-2EB 排风空气滤清器	ADC-2EB-ALL		材质		
					校对		信易電熱機械股份有限公司 Shini Plastics Technologies, Inc.			表面要求		
标记	更改前	更改后	更改人	日期	审核	日期					物料号	

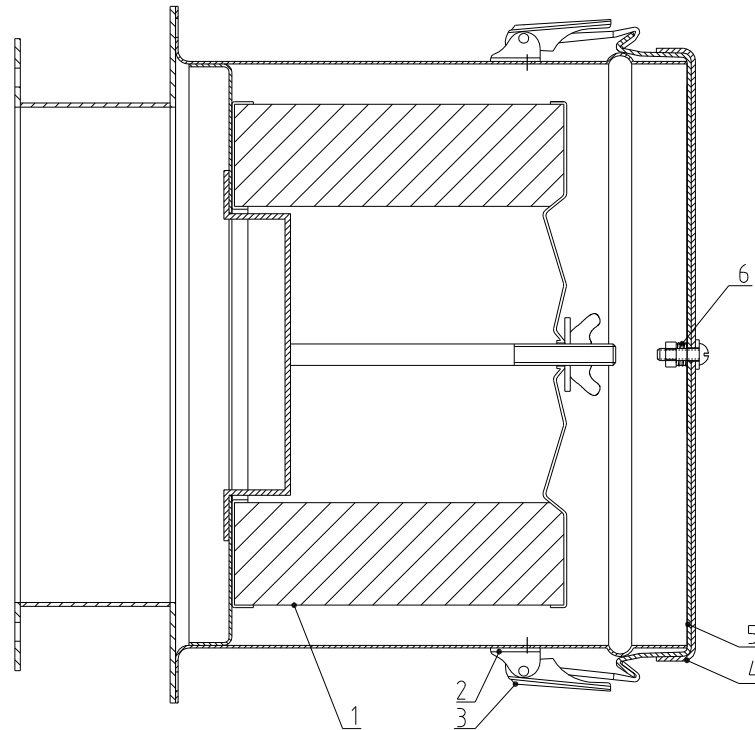


10	YR10251000000	Air exhaust pipe fastener SHD-25/100 rubber(has mould)		1	
9	BH11030010310	Quick connector 3"HAR-50-A-03-A(SUS)		1	
8	YW72033600100	Heat-resistant air pipe 3" double layers red x3.6m	0.35		
7	YW02003500000	Steel wire hose 3.5"(65-89mm)		2	
6	YW01126900000	Air cover spring (Drawing NO. TB-3-A-10)		1	
5	BL000004.004.20	Blower Filter tank cover 4"-01(HAR-4)(has mould)		1	
4	BL000004.003.20	Blower filter barrel air cover 4"-02(HAR-4)(has mould)		1	
3	YW020030004.00	Adjustable snap hook SAL-6U-A-35		2	
2	YR40000600800	Snap hook plastic pad SAL-6U(white)(has mould)		2	
1	YR50708000100	Filter 189x115x125 SAL-700G-A-20(Ver.0)(Rubber fastener)		1	
序号	代号	名称	材料	数量	备注

					制图	黄学明	版号	0	标题	HAR-100EB	图号	HAR-100EB-A-ALL	比例	1:4	数量	1
					设计	黄学明	核准			熱風回收器						
					校对											
标记	更改前	更改后	更改人	日期	审核		日期	20200917					表面要求			
													物料号			

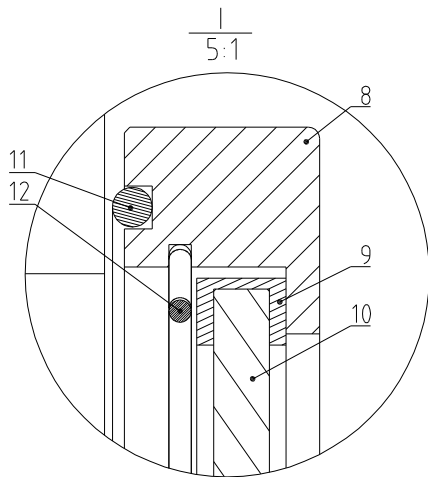
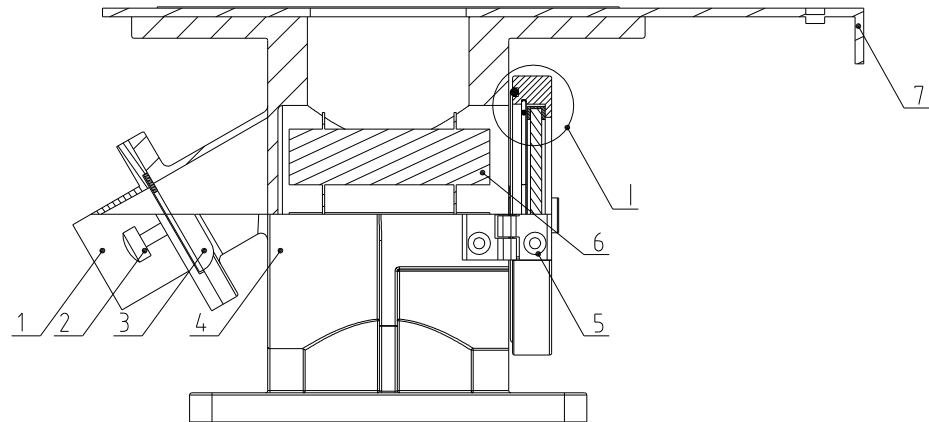
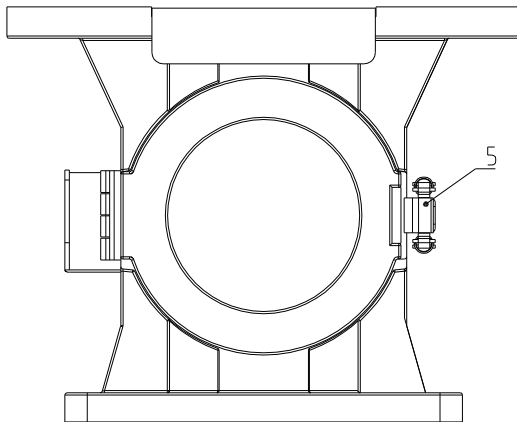


信易電熱機械股份有限公司
Shini Plastics Technologies, Inc.



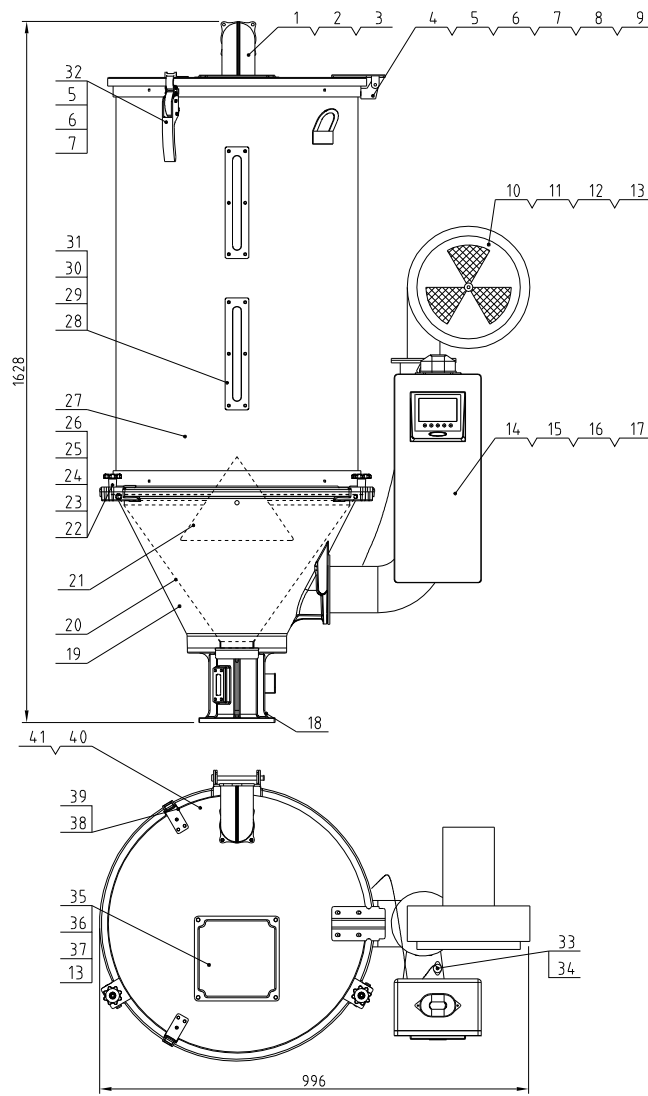
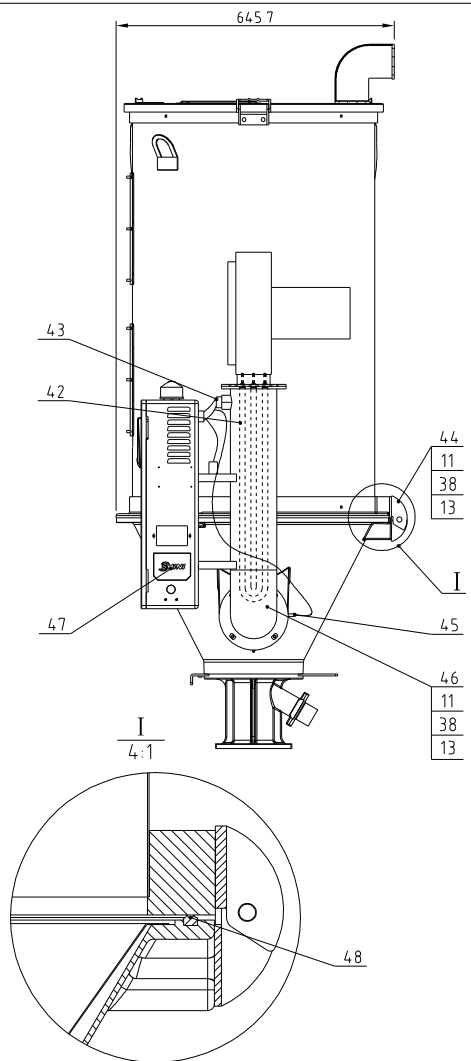
6	YW01126900000	Air cover spring (Drawing NO. TB-3-A-10)	1		
5	BL000004.00420	Blower filter tank cover 4"-01(HAR-4)(has mould)	1		
4	BL000004.00320	Blower filter barrel air cover 4"-02(HAR-4)(has mould)	1		
3	YW02003000400	Adjustable snap hook SAL-6U-A-35	2		
2	YR40000600800	Snap hook plastic block SAL-6U(white)(has mould)	2		
1	YR50708000100	Filter 189×115×125 SAL-700G-A-20(Ver. 0)(Rubber fastener)	1		
序号	代号	名称	材料	数量	备注

					制图	版号	标题	图号	比例	1:2.5	数量	1
					设计	核准	AIF-100EB 风机入口过滤器	AIF-100EB-A-ALL		材质		
					校对					表面要求		
标记	更改前	更改后	更改人	日期	审核	日期	20200917	信易電熱機械股份有限公司 Shini Plastics Technologies, Inc.	物料号			



12	YA10030408000	Magnetic base 304 clamp 25-150KG(Longfeng)	1		
11	YA10254008800	Magnetic base oil seal 25-150KG(Longfeng)	1		
10	YA10254008000	Magnetic base glass 25-150KG(Longfeng)	1		
9	YA10040008800	Magnetic base glass rubber ring 25-150KG (Longfeng) MB-100EB-A-01 (version 0)	1		
8	YA10251508000	Magnetic base aluminum ring 25-150KG(Longfeng)	1		
7	YW90010002900	Large drag board HB-100EB-A-02 (version 0) (width 100) (Longfeng) 20 pieces/box	1		
6	BA90251508010	Magnetic frame 25-150KG (Longfeng) 40 pieces/box	1		
5	YW09254008000	Magnetic base hinge/locking buckle 25-400KG (Longfeng)	1		
4	BW20101500010	Magnetic base 100-150KG(Longfeng)(painted)	1		
3	YW90125003000	Small drag board HB-12EB-A-03 (version 0) (width 50) 100 pieces/box	1		
2	YW69616100000	Hand screw M6×16×16	1		
1	YW20255001000	Discharge port HB-25EB-A-02 (version A) (Longfeng)	1		
序号	代号	名称	材质	数量	备注

					制图	版号	标题	图号	比例	1:3	数量	1
					设计	核准	MB-100EB 磁力底座	MB-100EB-ALL	表面要求	材质		
					校对		信易電熱機械股份有限公司 Shini Plastics Technologies, Inc.					
标记	更改前	更改后	更改人	日期	审核	日期			20200522		物料号	



4.8	YR20861000100	Sealing silicone strip 66 (100/200/400)	Silica gel	1.88M
4.7	YR4.0485500100	Combinator injection molding plastic ABS+30%PC	1	

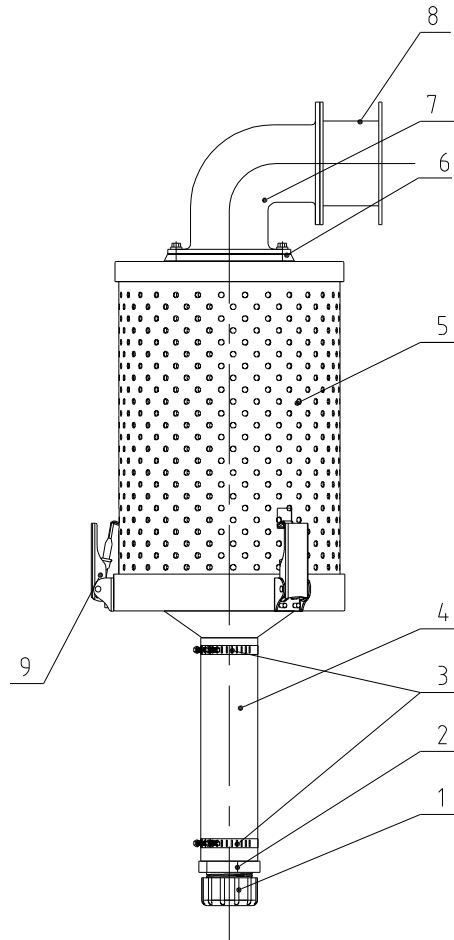
Blower power	Heater pipe power	Hopper capacity	Ver
50Hz:0.2kW 60Hz:0.24kW	6.6kW	150kg	Ver D

46	YL01100000200	Hot air duct	Weldment	1
45	YE90056500700	Thermocouple 9452 400L II tube type	Assembly	1
44	YW90010000200	Layer ring 30-102+H lining w/1 layer w/1 lining	Assembly	1
43	YE60122000100	High-grade plastic-coated metal hose	Assembly	1
42	BH70153800050	Pipe heater 30-102+H lining w/1 layer w/1 lining	Assembly	1
41	YR10010040000	Cover tightly with SBD-100	white silicon gal	1
40	YW90010002800	Layer over 30-102+H lining resin lining	SPCC1.5	1
39	YW67061000000	Cross recessed pan head locking screw		6
38	BL01121400120	Flat head 30-102+H lining resin (blue mid)	SUS201	2
37	YW66081600000	Flat Washer Grade A (R.4x10x1.6)		16
36	YW60083000200	Hexagon head bolt G/15793 M12x20-8.8		4
35	BW09202000000	Square plate SBD-100+H (blue mid)	SPCC1.0	1
34	YW67030800000	Cross recessed pan head locking screw		2
33	BE85018000350	Hexagonal nut M5 anti-loosening	Assembly	1
32	YW00121000000	Head SBD-25+H (resin 0) (with mid)	Assembly	2
31	YW64000500000	Hexagonal nut M5 anti-loosening		6
30	BW09000630040	Flat ring plate SBD-100+H (blue mid)	SPCC2.0	2
29	YR40001200000	Acrylic air-hole SBD-12-A-12	PC	2
28	YR40000600000	Clamping six holes SBD-12-A-11	Rubber	2
27	SHD-150E-A-01	Storage barrel	Assembly	1
26	YW66000600000	Open retaining ring G/17896 6		2
25	YW90661003800	Horizontal length 66 (100/200/400)	Q235	2
24	YW66103200000	Large washer A grade G/1796 10		2
23	YW90001200400	Star ring screw small size M10x40 SBD	Q235	2
22	YW90001200300	Star eye nut small size SBD-12B	Zinc alloy	2
21	BL01100600220	Layer sieve SBD-100+H lining resin 0	SUS201	1
20	YL01010000200	Low resin coating 30-102+H lining resin lining	SUS201	1
19	YW20100003800	Hopper SBD-100E+H drawing version C	AC4B	1
18	BY100100000850	Hex combination SBD-100E (drawing) component		1
17	YW67042000600	Cross recessed pan head locking screw		2
16	YW67040600600	Cross recessed pan head locking screw		4
15	YW67051000700	Cross recessed pan head locking screw		4
14	BL01500200121	Control box skirt box SBD-100+H (blue mid)	SPCC1.0	1
13	YW65008000100	Standard spring washer G/1793 8		20
12	YW66081900000	Flat Washer 8x19x2.0 Dark Rust		4
11	YW60082500100	Hexagon head bolt G/15793 M12x12-9		16
10	YM4.034.0000200	Motor 3" in (100) 3120W 415V/240V	Assembly	1
9	YW64.000800100	Non-metal insert hexagonal lock nut		2
8	YW60830000000	Hexagon socket head screw G/1770.1		2
7	YW65006000100	Standard spring washer G/1793 6		8
6	YW66061300000	Flat Washer Grade A G/1791.1 6-hole bar		8
5	YW60061200000	Hexagon head bolt G/15793 M12x12-9		8
4	YW90010000100	Barrel lid hinge SBD-100E-A-09	Assembly	1
3	YW63061500000	Cross recessed pan head screw G/17-818		4
2	YR10500900300	Exhaust pipe tightening SBD-50-A-10	Rubber	1
1	BA10500707010	Exhaust pipe SBD-50-A-07	AC4B	1

制图	版号	标题	SHD-150E	图号	
设计	核准	料斗干燥机			
校对					
标记	更改前	更改后	更改人	日期	审核

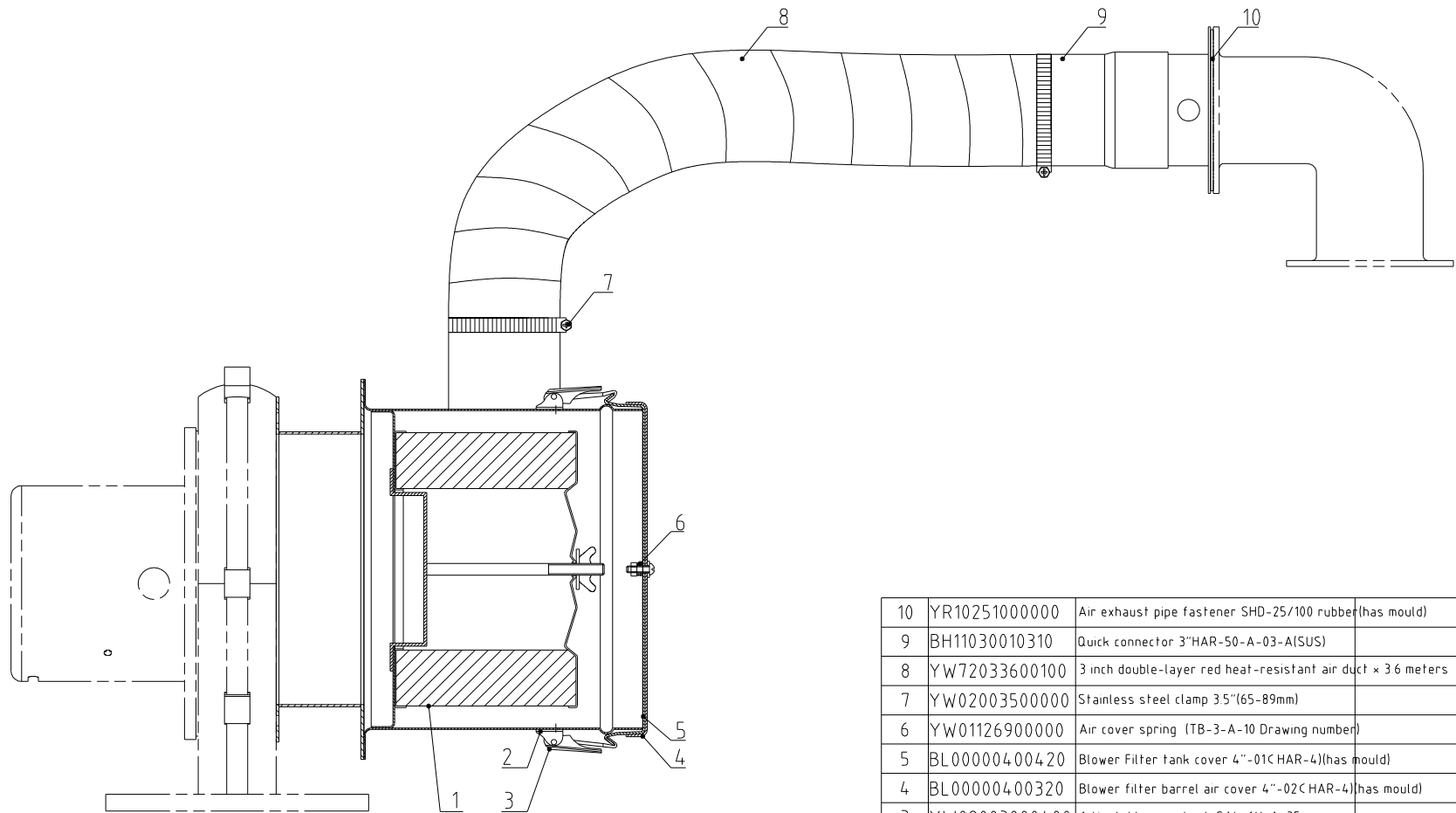
SHINI 信易电热机械股份有限公司
Shini Plastics Technologies, Inc.

表面要求 /
物料号 /



9	YW02003000400	Adjustable spring buckle SAL-6U-A-35(Ver.C)	3		
8	BL90000200120	Adapter flange ADC-2EB-A-01(Ver.0)	1		
7	YW20002507000	Air exhaust pipe SHD-25EB-A-03(Ver.0)(Longfeng)	1		
6	YR10251000000	Air exhaust pipe fastener SHD-25/100 rubber(has mould)	2		
5	YR50181100000	Filter ADC2 rubber fastener(SMD-1000H-A-ALL-09) Ver.0	1		
4	YE66515800000	PVC transparent hose 2" inner dia. 50mmx0.8mm	1		
3	YW02002500000	Steel wire hose 2.5"(40-64mm)	2		
2	YR40012500000	Plastics connector 1.25"	1		
1	YR40000000100	Bottom plug ADC-1-A-05 Ver.0(has mould)	1		
序号	代号	名称	材质	数量	备注

					制图	版号	标题	图号	比例	1:6	数量	1
					设计	核准	ADC-2EB 排风空气滤清器	ADC-2EB-ALL			材质	
					校对		信易电热机械股份有限公司 Shini Plastics Technologies, Inc.		表面要求			
标记	更改前	更改后	更改人	日期	审核	日期			物料号			

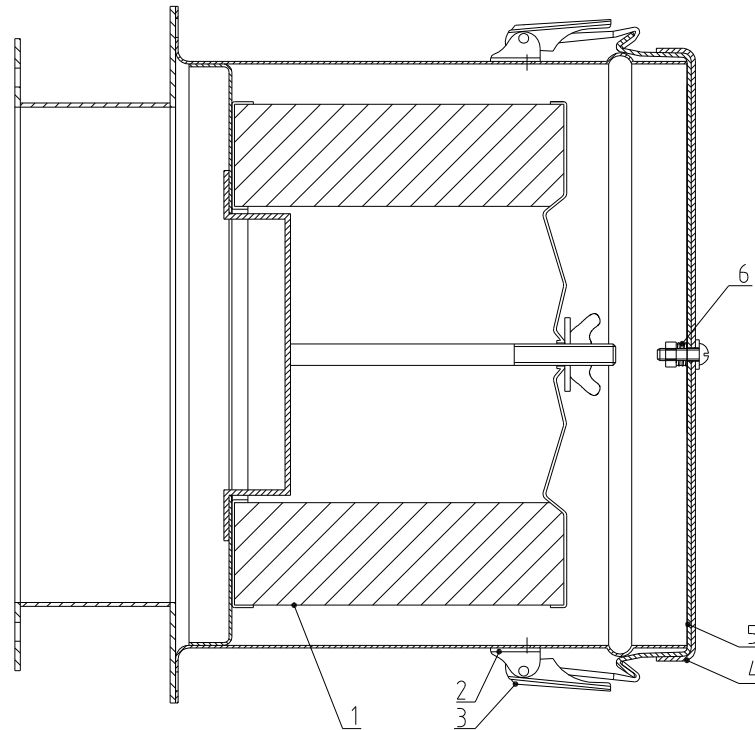


10	YR10251000000	Air exhaust pipe fastener SHD-25/100 rubber(has mould)		1	
9	BH11030010310	Quick connector 3"HAR-50-A-03-A(SUS)		1	
8	YW72033600100	3 inch double-layer red heat-resistant air duct × 3.6 meters	0.35		
7	YW02003500000	Stainless steel clamp 3.5"(65-89mm)		2	
6	YW01126900000	Air cover spring (TB-3-A-10 Drawing number)		1	
5	BL000004.004.20	Blower Filter tank cover 4"-01C(HAR-4)(has mould)		1	
4	BL000004.003.20	Blower filter barrel air cover 4"-02C(HAR-4)(has mould)		1	
3	YW020030004.00	Adjustable snap hook SAL-6U-A-35		2	
2	YR40000600800	Snap hook plastic block SAL-6U(white)(has mould)		2	
1	YR50708000100	Filter 189×115×125 SAL-700G-A-20(Ver.0)(Rubber fastener)		1	
序号	代号	名称	材料	数量	备注

					制图	黄学明	版号	0	标题	HAR-100EB	图号	HAR-100EB-A-ALL	比例	1:4	数量	1
					设计	黄学明	核准			熱風回收器						
					校对											
标记	更改前	更改后	更改人	日期	审核		日期	20200917					表面要求			
													物料号			

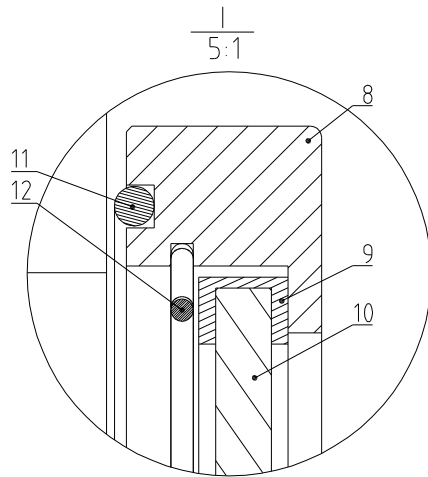
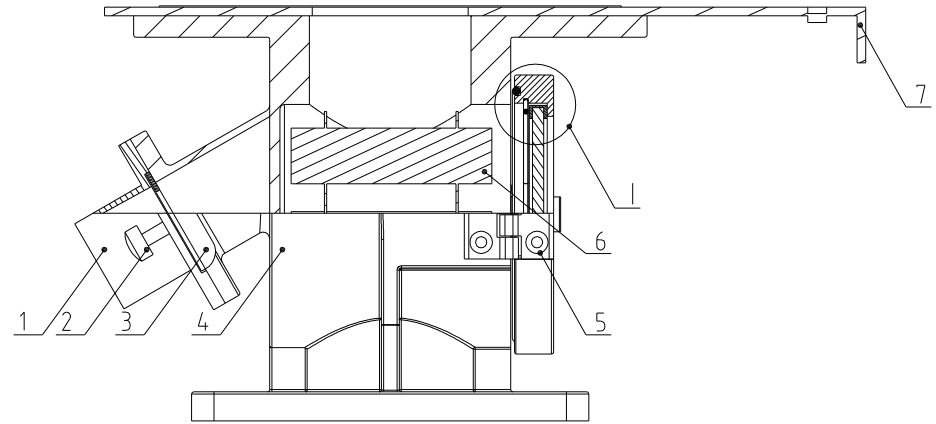
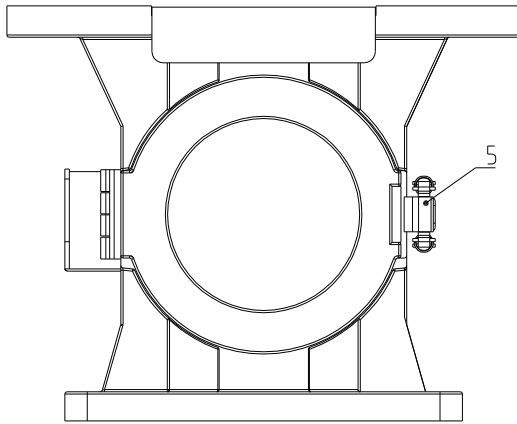


信易電熱機械股份有限公司
Shini Plastics Technologies, Inc.



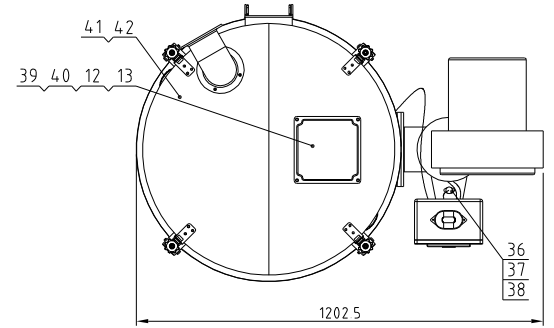
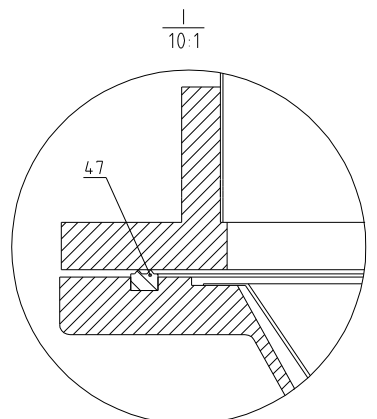
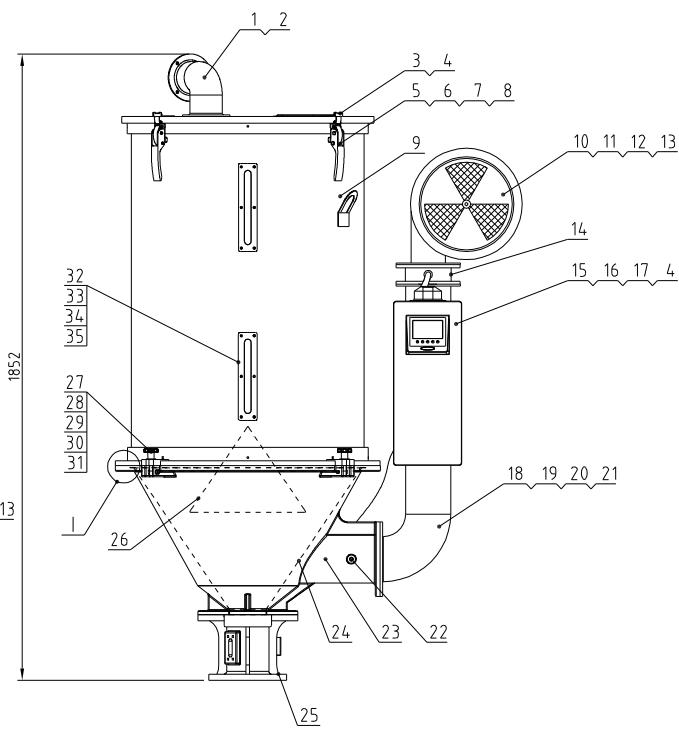
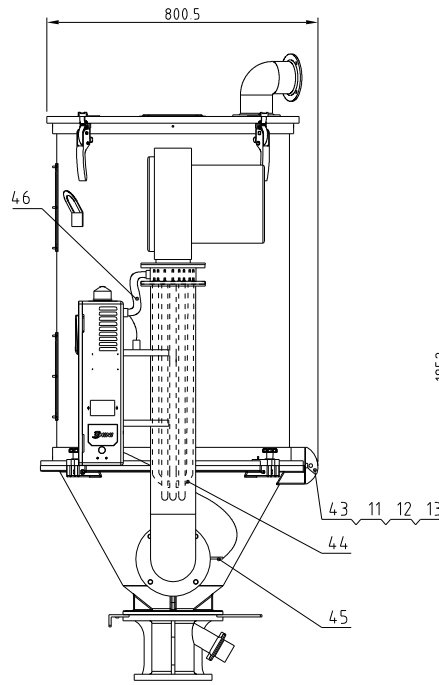
6	YW01126900000	Air cover spring (TB-3-A-10 Drawing number)	1		
5	BL00000400420	Blower Filter tank cover 4"-01C HAR-4)(has mould)	1		
4	BL00000400320	Blower filter barrel air cover 4"-02C HAR-4)(has mould)	1		
3	YW02003000400	Adjustable snap hook SAL-6U-A-35	2		
2	YR40000600800	Snap hook plastic pad SAL-6U(white)(has mould)	2		
1	YR50708000100	Filter 189×115×125 SAL-700G-A-20(Ver.0)(Rubber fastener)	1		
序号	代号	名称	材料	数量	备注

					制图	版号	标题	图号	比例	1:2.5	数量	1
					设计	核准	AIF-100EB 风机入口过滤器	AIF-100EB-A-ALL		材质		
					校对					表面要求		
标记	更改前	更改后	更改人	日期	审核	日期	20200917	信易電熱機械股份有限公司 Shini Plastics Technologies, Inc.	物料号			



12	YA10030408000	Magnetic base 304 clamp 25-150KG (Longfeng)	1		
11	YA10254008800	Magnetic base oil seal 25-150KG (Longfeng)	1		
10	YA10254008000	Magnetic base glass 25-150KG (Longfeng)	1		
9	YA10040008800	Magnetic base glass gasket 25-150KG (Longfeng) MB-100EB-A-01 (version 0)	1		
8	YA10251508000	Magnetic base aluminum ring 25-150KG (Longfeng)	1		
7	YW90010002900	Large trailer HB-100EB-A-02 (version 0) (width 100) (Longfeng) 20 pieces/box	1		
6	BA90251508010	Magnetic frame 25-150KG (Longfeng) 40 pieces/box	1		
5	YW09254008000	Magnetic base hinge/lock buckle 25-400KG (Longfeng)	1		
4	BW20101500010	Magnetic base 100-150KG (Longfeng) (spray painted)	1		
3	YW90125003000	Small drag board HB-12EB-A-03 (version 0) (width 50) 100 pieces/box	1		
2	YW69616100000	Hand screw M6×16×16	1		
1	YW20255001000	Discharge port HB-25EB-A-02 (version A) (Longfeng)	1		
序号	代号	名称	材质	数量	备注

					制图	版号	标题	图号	比例	1:3	数量	1
					设计	核准	MB-100EB 磁力底座	MB-100EB-ALL		表面要求 物料号		
					校对		信易電熱機械股份有限公司 Shini Plastics Technologies, Inc.					
标记	更改前	更改后	更改人	日期	审核	日期			20200522			

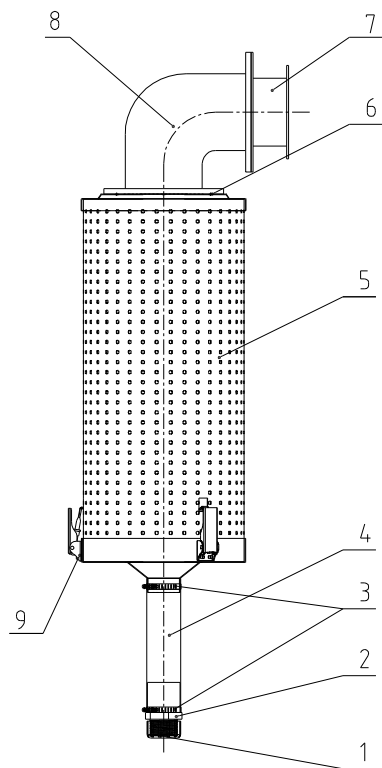


Blower Power	Pipe Heater Power	Hopper Capacity	Machine Version
50Hz:0.35kW	60Hz:0.42kW	12kW	200kg
			Ver.D

46	YE60122400100	High grade plastic coated metal hose Φ102(140mm)	Assembly	1
45	YE90059301300	Thermocouple 5x93L-M8x2M pipe(SHD-600U-A-55 ver 0)	Assembly	1
44	BH70020001450	Pipe heater SHD-200E-B-08drawing ver 0 12KW/3.0-400V	Assembly	1
43	YW90204003300	Hinge (large) SHD-600E-A-09 drawing ver 0 Longfeng	Assembly	1
42	YR10010040000	Cover fastener SHD-100 white silical gel (has mould)	White silica gel	2
41	YW90020002800	Hopper cover SHD-200E-A-06 (ver 0) Longfeng	SPCC18	1
40	YW60083000200	Hex bolt GB/T5783 M8x30-8-Longzine		4
39	BW09202000000	Square plate SHD-100-A-09 (ver 0)(has mould)	SPCC10	1
38	YW64000300100	Hex nut GB/T6170 M3-Longzine		2
37	YE50380000000	Umbrella screw M3x8(SUS304)		2
36	BE85018000350	Thermal protector K180 centigrade (wire 0 SMI)	Assembly	1
35	YW64000500000	Hex nut M5 anti-loose		12
34	BW09006300400	Sight glass iron sheet six hole (chrome-plated) SHD-12-A-16 (drawing ver 0)	SPCC2.0	2
33	YR40001200000	Acrylic six-hole SHD-12-A-12 (ver 0)	PC	2
32	YR40000600000	Sight glass iron sheet six hole (chrome-plated) SHD-12-A-11 (drawing ver 0)	Rubber	2
31	YW66000600000	Ring opening GB/T896 6		4
30	YW90661003800	Horizontal pin 66100/200/400 (Longfeng) 100 pcs/bag	Q235	4
29	YW66103200000	Large washer A grade GB/T91 10105x2x25 -Longzine		4
28	YW90012400200	Star ring screw big 100/200/400 (Longfeng) 150set/case	Q235	4
27	YW90012400100	Star ring nut big 100/200/400 (Longfeng) 150 set/case	kirsite	4
26	BL01200800220	Upper screen SHD-200E-A-08 drawing ver 0	SUS201	1
25	BY10020003850	Base assembly SHB-200EB (Long Feng)	AC4B	1
24	YL01020000200	Lower screen assembly SHD-200E-A-07 drawing ver 0 Longfeng	SUS201	1
23	YW20020001500	Lower screen assembly SHD-200E-A-03 drawing ver 0 Longfeng	AC4B	1
22	YW80010200100	Plug 1/4		1
21	YW65012000000	Standard spring washer GB/T93 12-Longzine		4
20	YW66024130000	Large washer A grade GB/T91 10105x2x25 -Longzine		4
19	YW60124500000	Hex bolt GB/T5783 M12x45-8-8-Longzine		4
18	YW20020002100	Hot air pipe SHD-200E-A-05 drawing version 0 Longfeng	AC4B	1
17	YW67042000600	Cross recessed pan head self-tapping set screw GB6560 M4x20-Longzine		2
16	YW67040600600	Cross recessed pan head self-tapping set screw GB6560 M4x6-Longzine		4
15	BL01050000120	Control box short box SHED-500-ALL-28 (ver 0)	welding parts	1
14	YW20020000200	Blower mount flange SHD-200E-A-02 drawing ver 0 Longfeng	AC4B	1
13	YW66081600000	Flat washer A grade GB/T91 8.4-16-16L ongzine		20
12	YW65008000100	Standard spring washer GB/T93 8-Longzine		20
11	YW60082500100	Hex bolt GB/T5783 M8x25-12.9-Longzine		20
10	YM40020003200	Blower 4"200E13 380V~415V/50/60HZ/350W/420W	Assembly	1
9	SHD-200E-A-09	Storage hopper body	Assembly	1
8	YW65006000100	Standard spring washer GB/T93 6-Longzine		8
7	YW66061300000	Flat washer A grade GB/T91 1.6-Longzine		8
6	YW60061200000	Hex bolt GB/T5783 M6x12-12.9-Longzine		8
5	YW00121000000	Handle SHED-25-A-08 (ver 0)(has mould)	Assembly	4
4	YW62061000000	Large cross recessed flat head screw J5111 M6x10-Longzine		16
3	BL01121400120	Handle hook SHD-12E-A-14 (drawing ver 0)	SUS201	4
2	YW63061500000	Cross recessed pan head screw GB/T-818 M6x15-Longzine		4
1	YW20020001800	Exhaust air pipe SHD-200E-A-04 (ver 0)Longfeng	AC4B	1

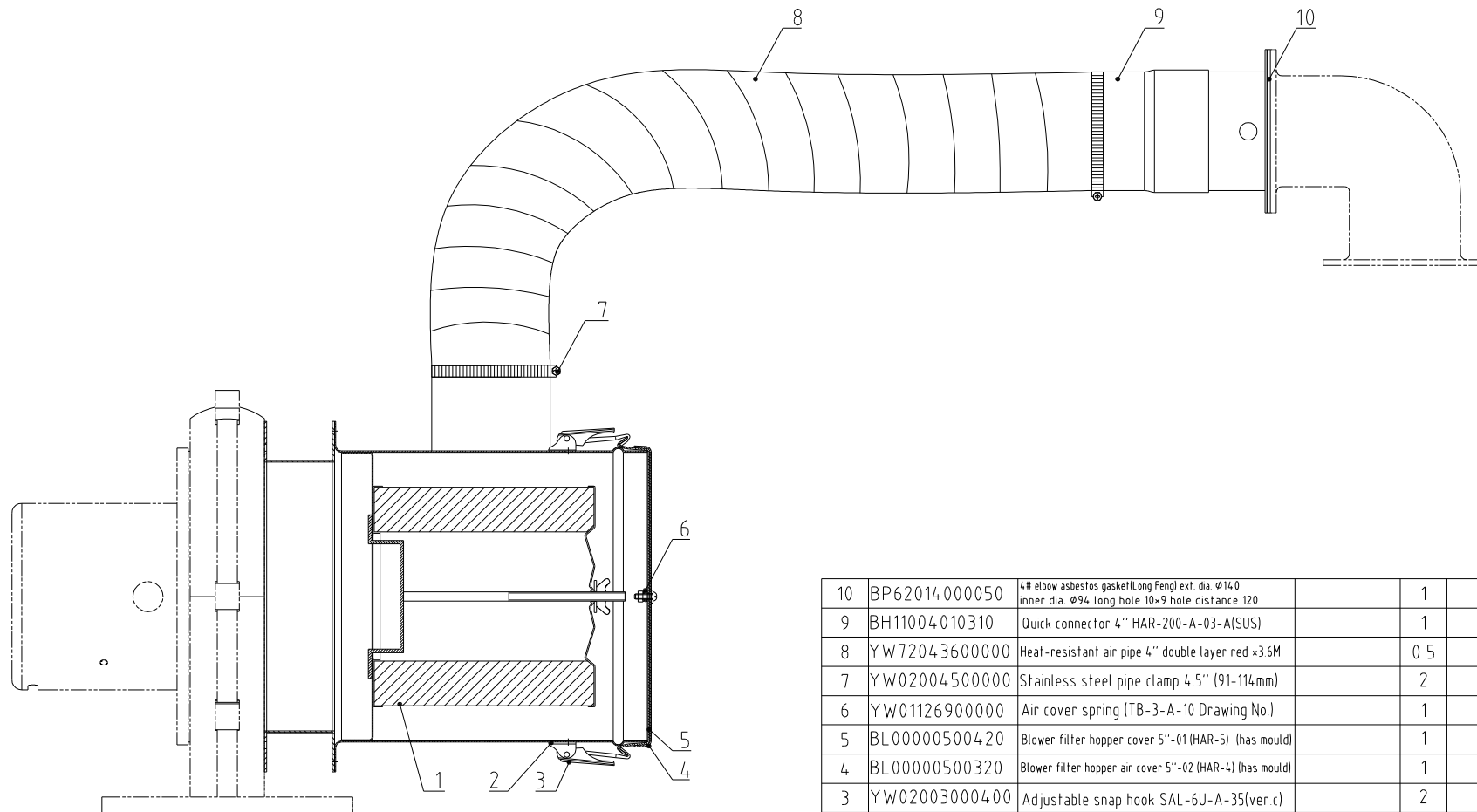
47	YR20861000100	Sealing silicone strip 8-6100/200/4001 (Longfeng)	White silica gel	2.34M
----	---------------	---	------------------	-------

标记	更改前	更改后	更改人	日期	制图	版号	标题	图号	比例	1:1	数量	备注
					设计	核准	SHD-200E					
					校对		料斗干燥机					材质
					审核		信易电热机械股份有限公司 Shini Plastics Technologies, Inc.					表面要求
					日期			物料号				



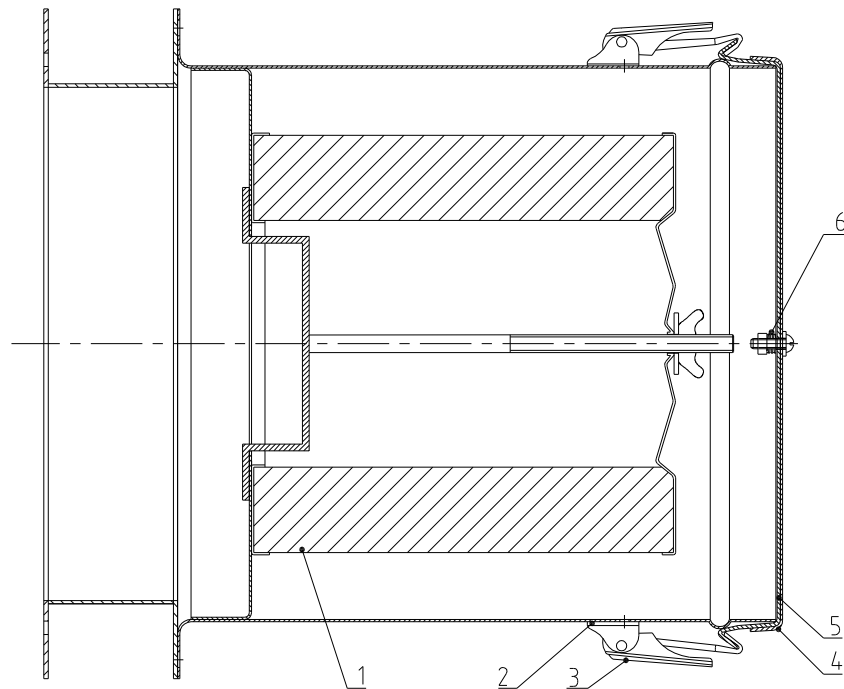
9	YW02003000400	Adjustable snap hook SAL-6U-A-35(ver.c)		3	
8	BA10020000210	Exhaust air pipe SEHD-200-A-14(200/1000)(ver.0)(painted)(has mould)		1	
7	BL90000300120	Adaptor flange ADC-3EB-A-01(ver.0)		1	
6	YR10204000000	Exhaust air pipe fastener SEHD-200-A-15(ver.0) rubber (has mould)		2	
5	YR50241400100	Filter ADC3 fastener rubber (SMD-2000H-A-ALL-11) ver.B		1	
4	YE66515800000	PVC hose 2" inner dia 50mm x 0.8mm		1	
3	YW02002500000	Stainless steel pipe clamp 2.5"(40-64mm)		2	
2	YR40012500000	Plastic connector 1.25"		1	
1	YR40000000100	Bottom plug ADC-1-A-05 ver.0 (has mould)		1	
序号	代号	名称	材质	数量	备注

					制图	版号	标题	图号	比例	1:10	数量	1
					设计	核 准	排风空气滤清器	ADC-3EB-ALL		材质		
					校对					表面要求		
标记	更改前	更改后	更改人	日期	审核	日期	SHINI 信易電熱機械股份有限公司 Shini Plastics Technologies, Inc.			物料号		



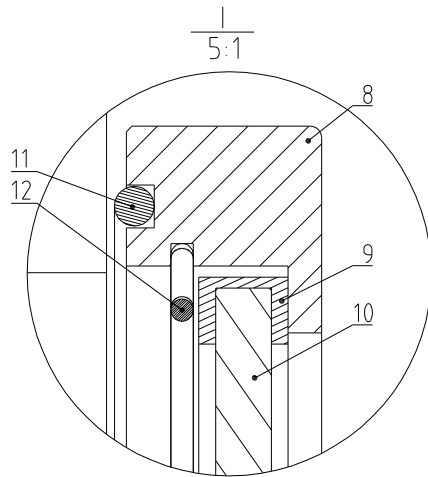
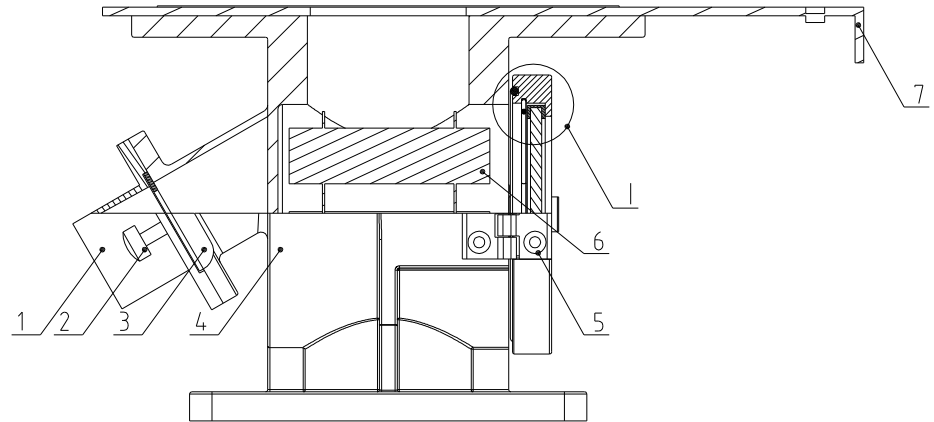
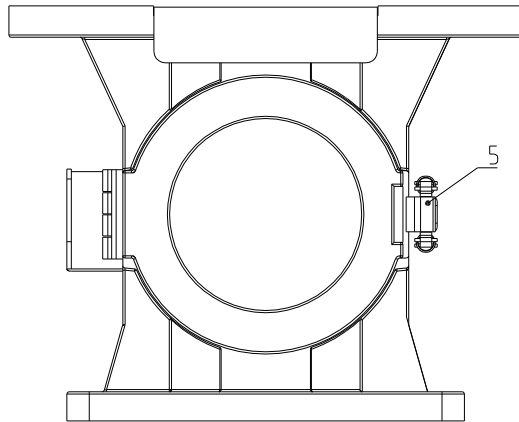
10	BP62014000050	4# elbow asbestos gasket(Long Feng) ext. dia. ϕ 14.0 inner dia. ϕ 9.4 long hole 10x9 hole distance 120		1	
9	BH11004010310	Quick connector 4" HAR-200-A-03-A(SUS)		1	
8	YW72043600000	Heat-resistant air pipe 4" double layer red x3.6M		0.5	
7	YW02004500000	Stainless steel pipe clamp 4.5" (91-114mm)		2	
6	YW01126900000	Air cover spring (TB-3-A-10 Drawing No.)		1	
5	BL00000500420	Blower filter hopper cover 5"-01(HAR-5) (has mould)		1	
4	BL00000500320	Blower filter hopper air cover 5"-02 (HAR-4) (has mould)		1	
3	YW02003000400	Adjustable snap hook SAL-6U-A-35(ver.c)		2	
2	YR40000600800	Adjustable snap hook pad SAL-6U(white)(has mould)		2	
1	YR50181900000	Filter HAR ext. 188xinner 114/88xH191		1	
序号	代号	名称	材料	数量	备注

					制图	版号	标题	图号	比例	1:5	数量	1
					设计	核准	HAR-200EB	HAR-200EB-ALL				
				校对			热风回收器					
标记	更改前	更改后	更改人	日期	审核	日期	信易电热机械股份有限公司 Shini Plastics Technologies, Inc.				表面要求	
						20200917					物料号	



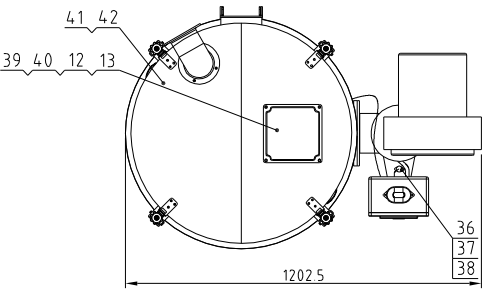
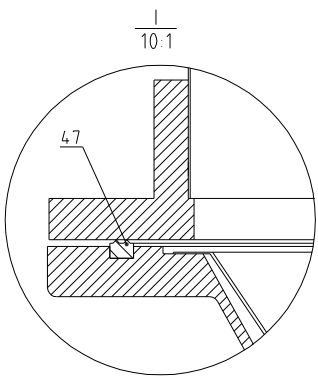
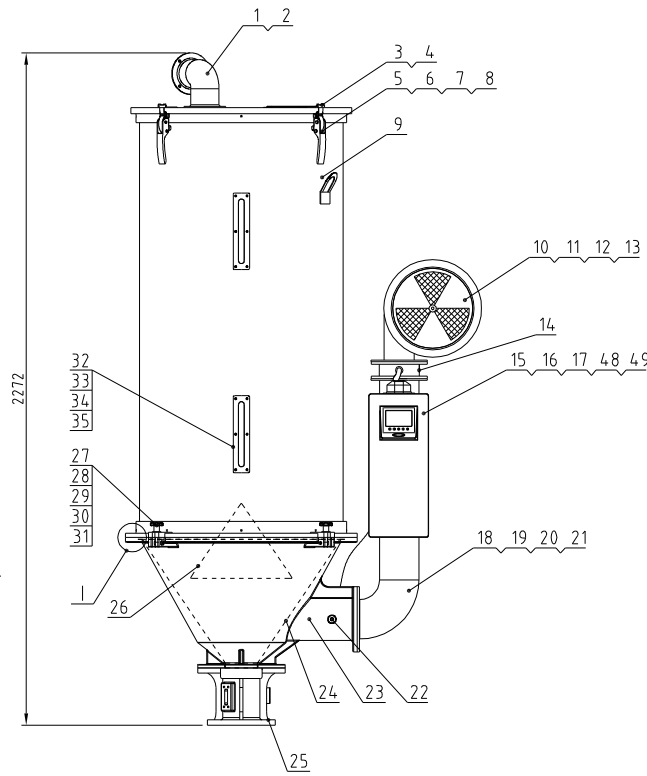
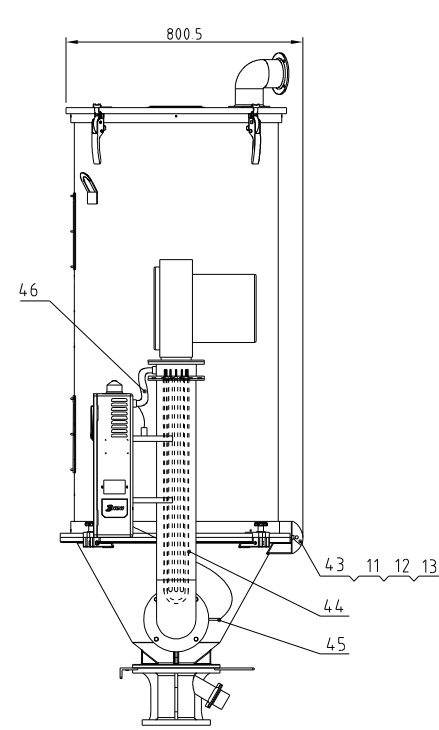
6	YW01126900000	Air cover spring (TB-3-A-10 Drawing No.)		1	
5	BL00000500420	Blower filter barrel cover 5"-01(HAR-5)(has mould)		1	
4	BL00000500320	Blower filter barrel air cover 5"-02(HAR-5)(has mould)		1	
3	YW02003000400	Adjustable snap hook SAL-6U-A-35(ver.c)		2	
2	YR40000600800	Adjustable snap hook pad SAL-6U(white)(has mould)		2	
1	YR50181900000	Filter HAR ext. 188×inner 114/88×H191		1	
序号	代号	名称	材料	数量	备注

					制图	版号	标题	图号	比例	1:3	数量	1
					设计	核准	AIF-200EB 风机入口过滤器	AIF-200EB-ALL		材质		
					校对		信易電熱機械股份有限公司 Shini Plastics Technologies, Inc.		表面要求			
标记	更改前	更改后	更改人	日期	审核	日期			20200917	物料号		



12	YA10030406000	Magnetic base 304 clamp 200-400KG(Long Feng)		1	
11	YA10203006000	Magnetic base oil seal 200/300(Long Feng)		1	
10	YA10204006000	Magnetic base glass 200-400KG(Long Feng)		1	
9	YA10240006000	Magnetic base glass rubber ring 200-400KG(Long Feng)		1	
8	YA10020008000	Magnetic base alu. ring 200KG (L) (Long Feng)		1	
7	YW90020002900	Large drag plate HB-200EB-A-03(ver.01/w.14.0)(Long Feng)		1	
6	BA90020008010	Magnetic frame 200 KG L (Long Feng)		1	
5	YW09254008000	Magnetic base hinge/lock 25-400KG(Long Feng)		1	
4	BW20020000710	Magnetic base 200KG(Long Feng) (painted)		1	
3	YW90020003000	Small drag plate HB-200EB-A-04(ver.01/w.60)		1	
2	YW69616100000	Manual screw M6×16×16		1	
1	YW20020001900	Discharge port HB-200EB-A-02(ver.A)(Long Feng)		1	
序号	代号	名称	材质	数量	备注

					制图	版号	标题	图号	比例	1:3	数量	1
					设计	核准	MB-200EB 磁力底座	MB-200EB-ALL	 表面要求	 材质		
					校对		 信易電熱機械股份有限公司 Shini Plastics Technologies, Inc.	物料号				
标记	更改前	更改后	更改人	日期	审核	日期			20200522			



Blower Power		Pipe Heater Power	Hopper Capacity	Machine Version
50Hz-0.35kW	60Hz-0.42kW	15kW	300kg	Ver.D

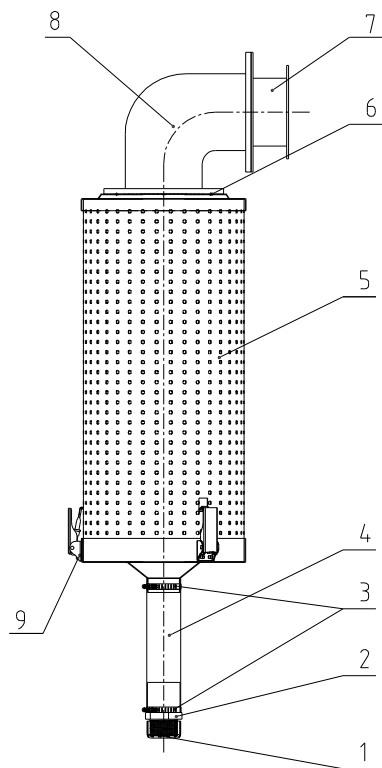
46	YE60122400100	High-grade plastic coated metal hose φ102(1mm)	Assembly	1
45	YE90059301300	Thermocouple 5-93L-M8-2M pipe(SHD-600U-A-55 ver.0)	Assembly	1
44	BH70030001450	Pipe heater SHD-300E-B-07 drawing ver.0 15KW/3φ 400V	Assembly	1
43	YW90204003300	Hinge (large) SHD-600E-A-09 drawing ver.0 Longfeng	Assembly	1
42	YR10010040000	Cover fastener SHD-100 white silica gel (has mould)	White silica gel	2
41	YW90020002800	Hopper cover SHD-200E-A-06 (ver.0) Longfeng	SPCC1.8	1
40	YW60083000200	Hex. bolt GB/T5783 M8x30-8.8-Longzine		4
39	BW09202000000	Square plate SEHD-100-A-09 (ver.0)(has mould)	SPCC1.0	1
38	YW64000300100	Hex nut GB/T6170 M3-Longzine		2
37	YE50380000000	Umbrella screw M3x8(SUS304)		2
36	BE85018000350	Thermal protector K180 centrifuge (wire 0.5M) (thermal protection normally open)(has rubber sleeve)	Assembly	1
35	YW64000500000	Hex nut M5 anti-loose		12
34	BW09000630040	Sight glass iron sheet six hole (chrome-plated) SEHD-12-A-16 (drawing ver.0)	SPCC2.0	2
33	YR40001200000	Acrylic six-hole SEHD-12-A-12 (ver.0) Mat. PC (has mould)	PC	2
32	YW60006000000	Sight glass iron sheet six hole (chrome-plated) SEHD-12-A-11 (drawing ver.0)	Rubber	2
31	YW66000600000	Ring opening GB/T896 6		4
30	YW90661003800	Horizontal pin 64100/200/400 (Longfeng) 100 pcs/bag	Q235	4
29	YW66103200000	Large washer A grade GB/T91 1010 5x30x2.5 -Longzine		4
28	YW90012400200	Star ring screw big 100/200/400 (Longfeng) 150set/case	Q235	4
27	YW90012400100	Star ring nut big 100/200/400 (Longfeng) 150 set/case	kirsite	4
26	BL01200800220	Upper screen SHD-200E-A-08 drawing ver.0	SUS201	1
25	BY10020003850	Base assembly SHB-200E (Longfeng)	Assembly	1
24	YL01020000200	Lower screen assembly SHD-200E-A-07 drawing ver.0 Longfeng	SUS201	1
23	YW20020001500	Hopper SHD-200E-A-03 drawing ver.0 Longfeng	AC4B	1
22	YW80010200100	Plug 1/4		1
21	YW65012000000	Standard spring washer GB/T93 12-Longzine		4
20	YW66024130000	Large washer A grade GB/T91 1010 5x30x2.5 -Longzine		4
19	YW60124500000	Hex bolt GB/T5783 M12x45-8.8-Longzine		4
18	YW20020002100	Hot air pipe SHD-200E-A-05 drawing version 0 Longfeng	AC4B	1
17	YW67051000700	Cross recessed pan head self-tapping set screw GB6560 M4x20-Longzine		4
16	YW67040600600	Cross recessed pan head self-tapping set screw GB6560 M4x6-Longzine		4
15	BL01500001020	Control box short box SHD-500E-A-03 drawing ver.0	welding parts	1
14	YW20020000200	Blower mount flange SHD-200E-A-02 drawing ver.0 Longfeng	AC4B	1
13	YW66081600000	Flat washer A grade GB/T91 118.4-16-16L-Longzine		20
12	YW65008000100	Standard spring washer GB/T93 8-Longzine		20
11	YW60082500100	Hex bolt GB/T5783 M8x25-12.9-Longzine		20
10	YM40020003200	Blower 4"120E13φ380V-4T5V/50/60HZ/350W/L20W	Assembly	1
9	SHD-300E-A-01	Storage hopper body	Assembly	1
8	YW65006000100	Standard spring washer GB/T93 6-Longzine		8
7	YW66061300000	Flat washer A grade GB/T91 1 6-Longzine		8
6	YW60061200000	Hex bolt GB/T5783 M6x12-12.9-Longzine		8
5	YW00121000000	Handle SEHD-25-A-08 (ver.0)(has mould)	Assembly	4
4	YW62061000000	Large cross recessed flat head screw J51111 M6x10-Longzine		16
3	BL01121400120	Handle hook SHD-12E-A-16 (drawing ver.0)	SUS201	4
2	YW63061500000	Cross recessed pan head screw GB/T-818 M6x15-Longzine		4
1	YW20020001800	Exhaust air pipe SHD-200E-A-04 (ver.0)Longfeng	AC4B	1

4.9	YE67002100000	Cable head PG21		1
4.8	BL50021000120	Wire fixture fixed plate PG21 SG-S-01 (has mould)	SPCC2.0	1
4.7	YR20861000100	Sealing silicone strip 8x6100/200/400 (Longfeng)	White silica gel	2.34M

制图	版号	标题	图号	比例	1:16	数量
设计	核准	SHD-300E				
校对	日期	料斗干燥机				
标记	更改前	更改后	更改人	日期	审核	日期

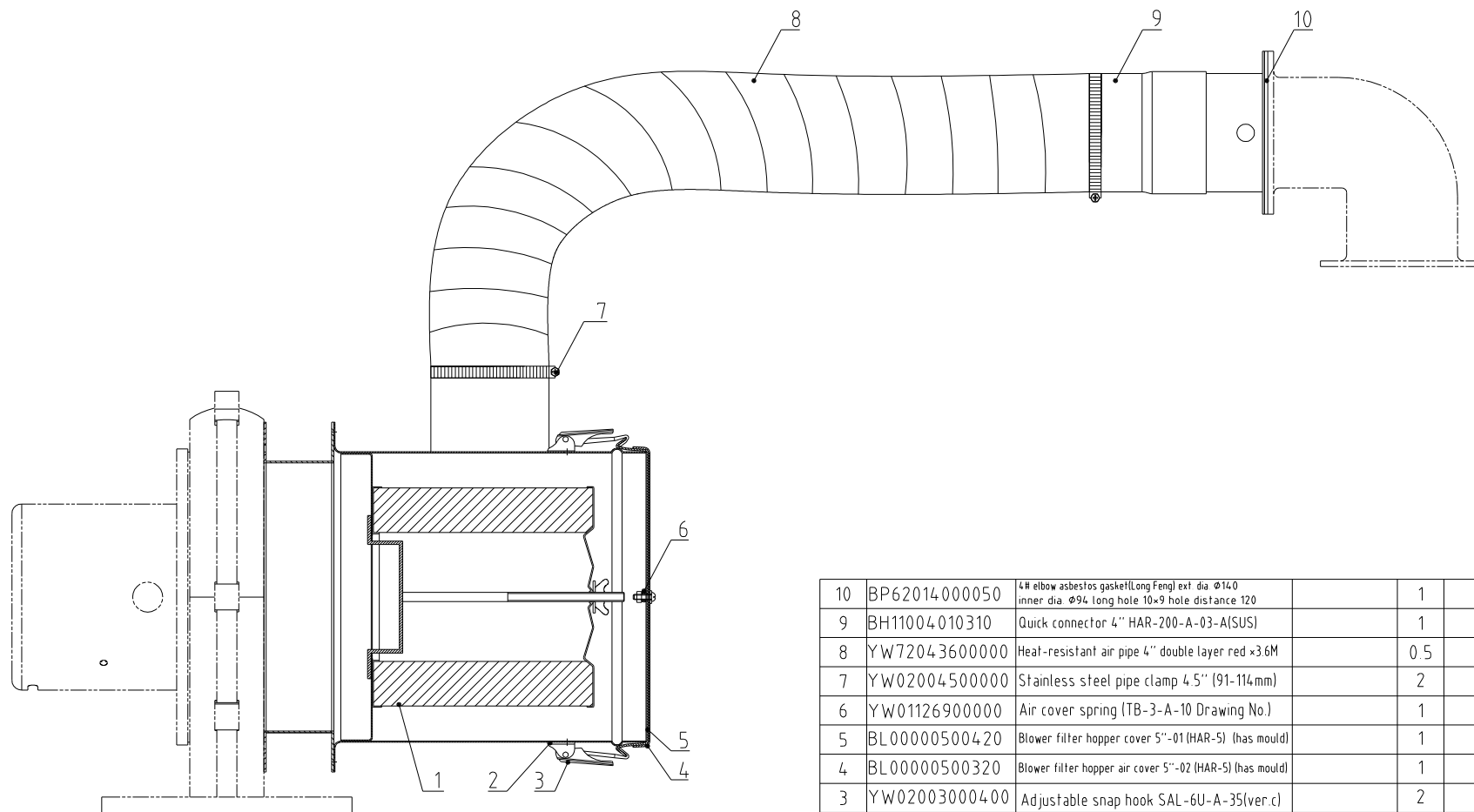
SHINI 信易电热机械股份有限公司
Shini Plastics Technologies, Inc.

表面要求
物料号



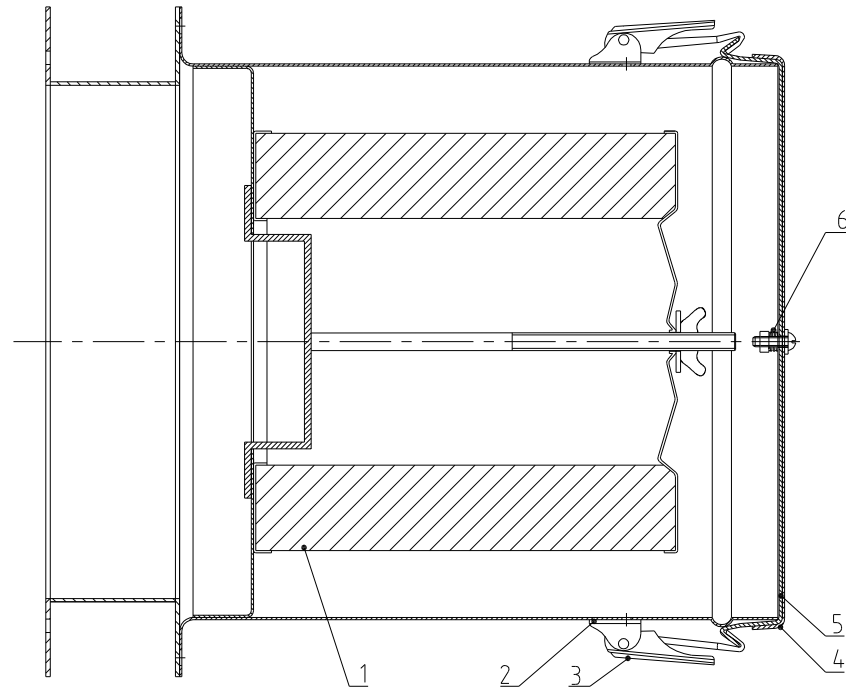
9	YW02003000400	Adjustable snap hook SAL-6U-A-35(ver.c)		3	
8	BA10020000210	Exhaust air pipe SEHD-200-A-14(200/1000)(ver.0)(painted)(has mould)		1	
7	BL90000300120	Adaptor flange ADC-3EB-A-01(ver.0)		1	
6	YR10204000000	Exhaust air pipe fastener SEHD-200-A-15(ver.0) rubber (has mould)		2	
5	YR50241400100	Filter ADC3 fastener rubber (SMD-2000H-A-ALL-11) ver.B		1	
4	YE66515800000	PVC hose 2" inner dia. 50mm x 0.8mm		1	
3	YW02002500000	Stainless steel pipe clamp 2.5"(40-64mm)		2	
2	YR40012500000	Plastic connector 1.25"		1	
1	YR40000000100	Bottom plug ADC-1-A-05 ver.0 (has mould)		1	
序号	代号	名称	材质	数量	备注

					制图		版号		标题	ADC-3EB	图号	ADC-3EB-ALL	比例	1:10	数量	1
					设计		核准		排风空气滤清器					材质		
					校对				SHINI 信易電熱機械股份有限公司 Shini Plastics Technologies, Inc.				表面要求			
标记	更改前	更改后	更改人	日期	审核		日期							物料号		



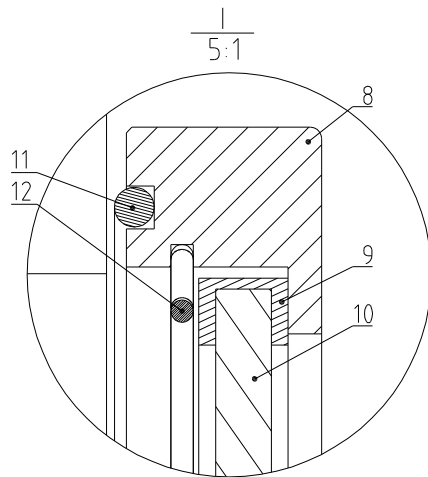
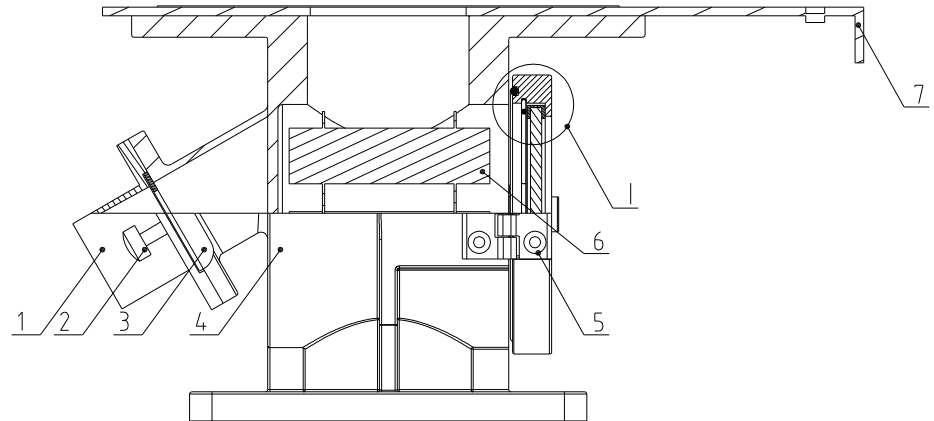
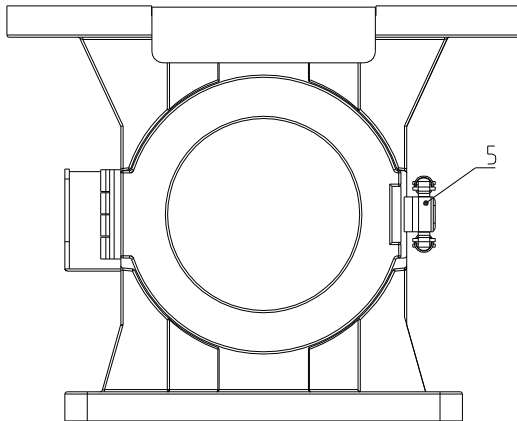
10	BP62014000050	4H elbow asbestos gasket(Long Feng) ext dia ϕ 140 inner dia ϕ 94 long hole 10x9 hole distance 120		1	
9	BH11004010310	Quick connector 4" HAR-200-A-03-A(SUS)		1	
8	YW72043600000	Heat-resistant air pipe 4" double layer red x3.6M		0.5	
7	YW02004500000	Stainless steel pipe clamp 4.5" (91-114mm)		2	
6	YW01126900000	Air cover spring (TB-3-A-10 Drawing No.)		1	
5	BL00000500420	Blower filter hopper cover 5"-01 (HAR-5) (has mould)		1	
4	BL00000500320	Blower filter hopper air cover 5"-02 (HAR-5) (has mould)		1	
3	YW02003000400	Adjustable snap hook SAL-6U-A-35(ver.c)		2	
2	YR40000600800	Adjustable snap hook pad SAL-6U(white)(has mould)		2	
1	YR50181900000	Filter HAR ext. 188xinner 114/88xH191		1	
序号	代号	名称	材料	数量	备注

					制图	版号	标题	图号	比例	1:5	数量	1
					设计	核准	HAR-200EB	HAR-200EB-ALL				
					校对		热风回收器					
标记	更改前	更改后	更改人	日期	审核	日期	信易电热机械股份有限公司 Shini Plastics Technologies, Inc.				表面要求	
						20200917					物料号	



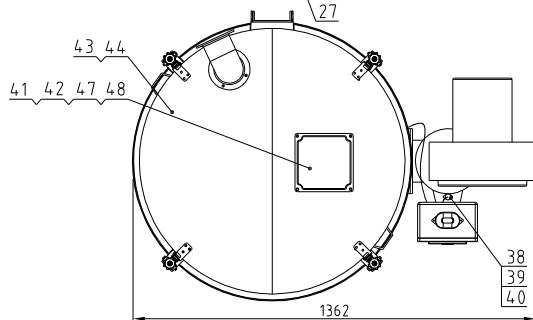
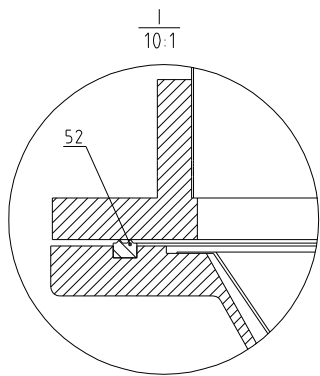
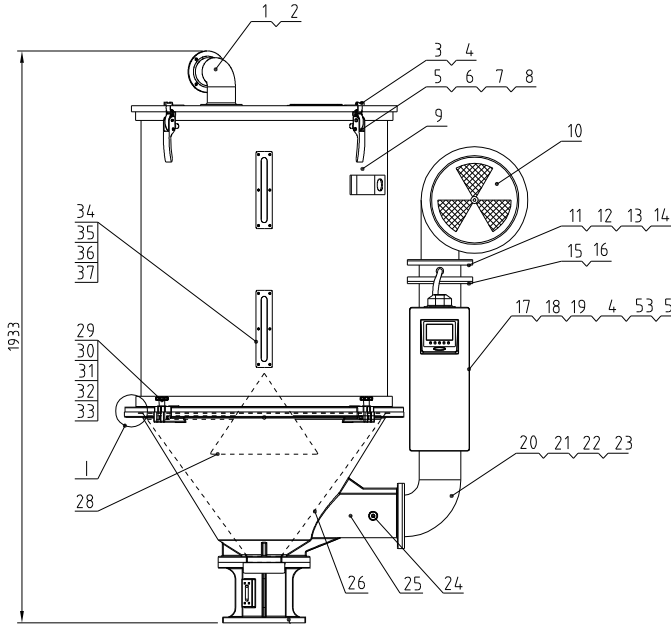
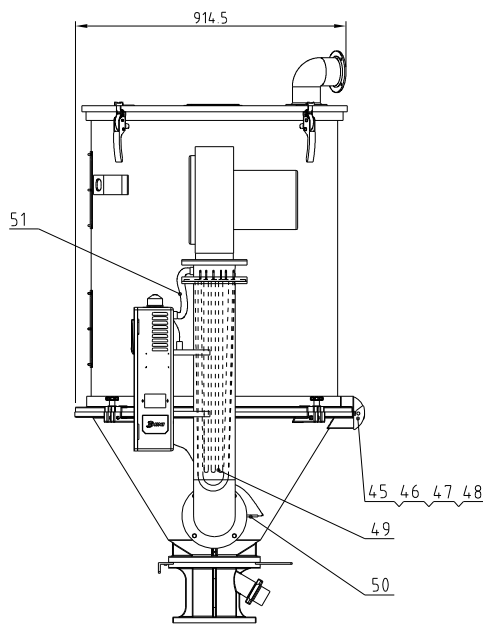
6	YW01126900000	Air cover spring (TB-3-A-10 Drawing No.)		1	
5	BL00000500420	Blower filter barrel cover 5"-01(HAR-5)(has mould)		1	
4	BL00000500320	Blower filter barrel air cover 5"-02(HAR-5)(has mould)		1	
3	YW02003000400	Adjustable snap hook SAL-6U-A-35(ver.c)		2	
2	YR40000600800	Adjustable snap hook pad SAL-6U(white)(has mould)		2	
1	YR50181900000	Filter HAR ext. 188xinner 114/88xH191		1	
序号	代号	名称	材料	数量	备注

					制图	版号	标题	图号	比例	1:3	数量	1
					设计	核准	AIF-200EB 风机入口过滤器	AIF-200EB-ALL		材质		
					校对		信易電熱機械股份有限公司 Shini Plastics Technologies, Inc.		表面要求			
标记	更改前	更改后	更改人	日期	审核	日期			20200917	物料号		



12	YA10030406000	Magnetic base 304 clamp 200-400KG(Long Feng)		1	
11	YA10203006000	Magnetic base oil seal 200/300KG(Long Feng)		1	
10	YA10204006000	Magnetic base glass 200-400KG(Long Feng)		1	
9	YA10240006000	Magnetic base glass rubber ring 200-400KG(Long Feng)		1	
8	YA10020008000	Magnetic base alu. ring 200KG (L) (Long Feng)		1	
7	YW90020002900	Large drag plate HB-200EB-A-03(ver.01(w/14.0))Long Feng)		1	
6	BA90020008010	Magnetic frame 200 KG L (Long Feng)		1	
5	YW09254008000	Magnetic base hinge/lock 25-400KG(Long Feng)		1	
4	BW20020000710	Magnetic base 200KG(Long Feng) (painted)		1	
3	YW90020003000	Small drag plate HB-200EB-A-04(ver.01(w/6.0))		1	
2	YW69616100000	Manual screw M6×16×16		1	
1	YW20020001900	Discharge port HB-200EB-A-02(ver.A1)Long Feng)		1	
序号	代号	名称	材质	数量	备注

					制图	版号	标题	图号	比例	1:3	数量	1
					设计	核准	MB-200EB 磁力底座	MB-200EB-ALL		材质		
					校对		信易電熱機械股份有限公司 Shini Plastics Technologies, Inc.			表面要求		
标记	更改前	更改后	更改人	日期	审核	日期			20200522		物料号	

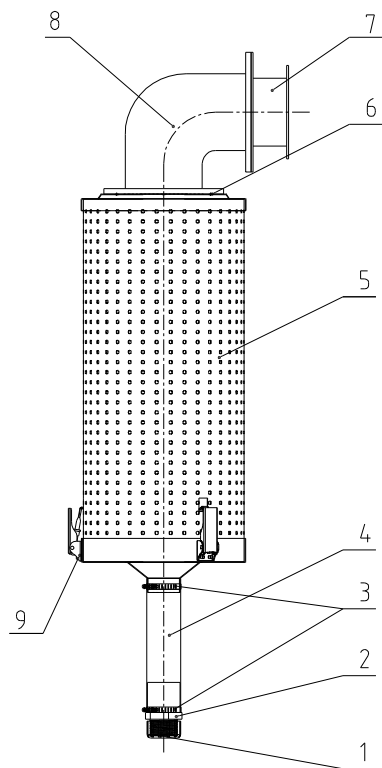


Blower Power	Pipe Heater Power	Hopper Capacity	Machine Version
50Hz:0.45kW	60Hz:0.52kW	18kW	400kg
			Ver.C

46	YW60082500100	Hex bolt GB/T5783 M8x25-12.9-Longzine		8
45	YW90204.003300	Hinge (large) SHD-600E-A-09 drawing ver 0 Longfeng	Assembly	1
44	YR1001004.0000	Cover fastener SHD-100 white silica gel (has mould)	White silica gel	2
43	YW9004.0002800	Hopper cover SHD-400E-A-05 (ver 0) Longfeng	SPCC18	1
42	YW60083000200	Hex bolt GB/T5783 M8x30-8.8-Longzine		4
41	BW09202000000	Square plate SEHD-100-A-09 (ver 0)(has mould)	SPCC1.0	1
40	YW64.000300100	Hex nut GB/T6170 M3-Longzine		2
39	YE50380000000	Umbrella screw M3x8(SUS304)		2
38	BE85018000350	Thermal protector K180 centgrade (wire 0.5M) (Thermal protection normally open)(has rubber sleeve)	Assembly	1
37	YW64.000500000	Hex nut M5 anti-loose		12
36	BW09000630040	Sight glass iron sheet six hole (chrome-plated) SEHD-12-A-16 (drawing ver 0)	SPCC2.0	2
35	YR4.00012000000	Acrylic six-hole SEHD-12-A-12 (ver 0) Mat. PC (has mould)	PC	2
34	YR4.00006000000	Sight glass iron sheet six hole (chrome-plated) SEHD-12-A-11 (drawing ver 0)	Rubber	2
33	YW66000600000	Ring opening GB/T896 6		4
32	YW90661003800	Horizontal pin 66100/200/400 (Longfeng) 100 pcs/bag		4
31	YW66103200000	Large washer A grade GB/T561010 5x30x2.5 -Longzine		4
30	YW900124.00200	Star ring screw big 100/200/400 (Longfeng) 150set/case		4
29	YW900124.00100	Star ring nut big 100/200/400 (Longfeng) 150 set/case		4
28	BL014.00700220	Upper screen SHD-400E-A-07 drawing ver 0	SUS201	1
27	BY1004.0000850	Base assembly SHB-400EB (Long Feng)	Assembly	1
26	YL0104.0000200	Lower screen assembly SHD-400E-A-06 drawing ver 0 Longfeng	SUS201	1
25	YW2004.0001500	Hopper SHD-400E-A-03 drawing ver 0 Longfeng	AC4B	1
24	YW80010200100	Plug 1/4		1
23	YW65012000000	Standard spring washer GB/T93 12-Longzine		4
22	YW66024.1300000	Large washer A grade GB/T911 10135x24x2.5 -Longzine		4
21	YW60124500000	Hex bolt GB/T5783 M12x45-8.8-Longzine		4
20	YW204.00001700	Hot air pipe SHD-400E-A-04 drawing version 0 Longfeng	welding parts	1
19	YW6704.0600600	Cross recessed pan head self-tapping set screw GB6560 M4x6-Longzine		4
18	YW6705.1000700	Cross recessed pan head self-tapping set screw GB6560 M5x10-Longzine		4
17	BL01500001020	Control box short box SHD-500E-A-03 drawing ver 0	welding parts	1
16	YW66102000100	Flat washer A grade GB/T911 10111x20x21-Longzine		4
15	YW61103000100	Inner hex column head screw GB/T70 1M8x30-12.9-Longzine		4
14	YW66102500000	Flat washer 10x25x1.5-Longzine		4
13	YW65010000000	Standard spring washer GB/T93 10-Longzine		8
12	YW61102500000	Inner hex column head screw GB/T70 1M10x25-12.9-Longzine		4
11	YW2004.0000900	Blower mount flange SHD-400E-A-02 drawing ver 0 Longfeng	AC4B	1
10	YM4.0534.001700	Blower S1(400E)30-380V-4.5V/50/60HZ/350W/420W	Assembly	1
9	SHD-400E-A-08	Storage hopper body	Assembly	1
8	YW66061300000	Flat washer A grade GB/T91 1 6-Longzine		8
7	YW65006000100	Standard spring washer GB/T93 6-Longzine		8
6	YW60061200000	Hex bolt GB/T5783 M6x12-12.9-Longzine		8
5	YW00121000000	Handle SEHD-25-A-08 (ver 0)(has mould)	Assembly	4
4	YW62061000000	Large cross recessed flat head screw J5111 M6x10-Longzine		16
3	BL011214.00120	Handle hook SHD-12E-A-14 (drawing ver 0)	SUS201	4
2	YW63061500000	Cross recessed pan head screw GB/T-818 M6x15-Longzine		4
1	YW20020001800	Exhaust air pipe SHD-200E-A-04 (ver 0)Longfeng	AC4B	1

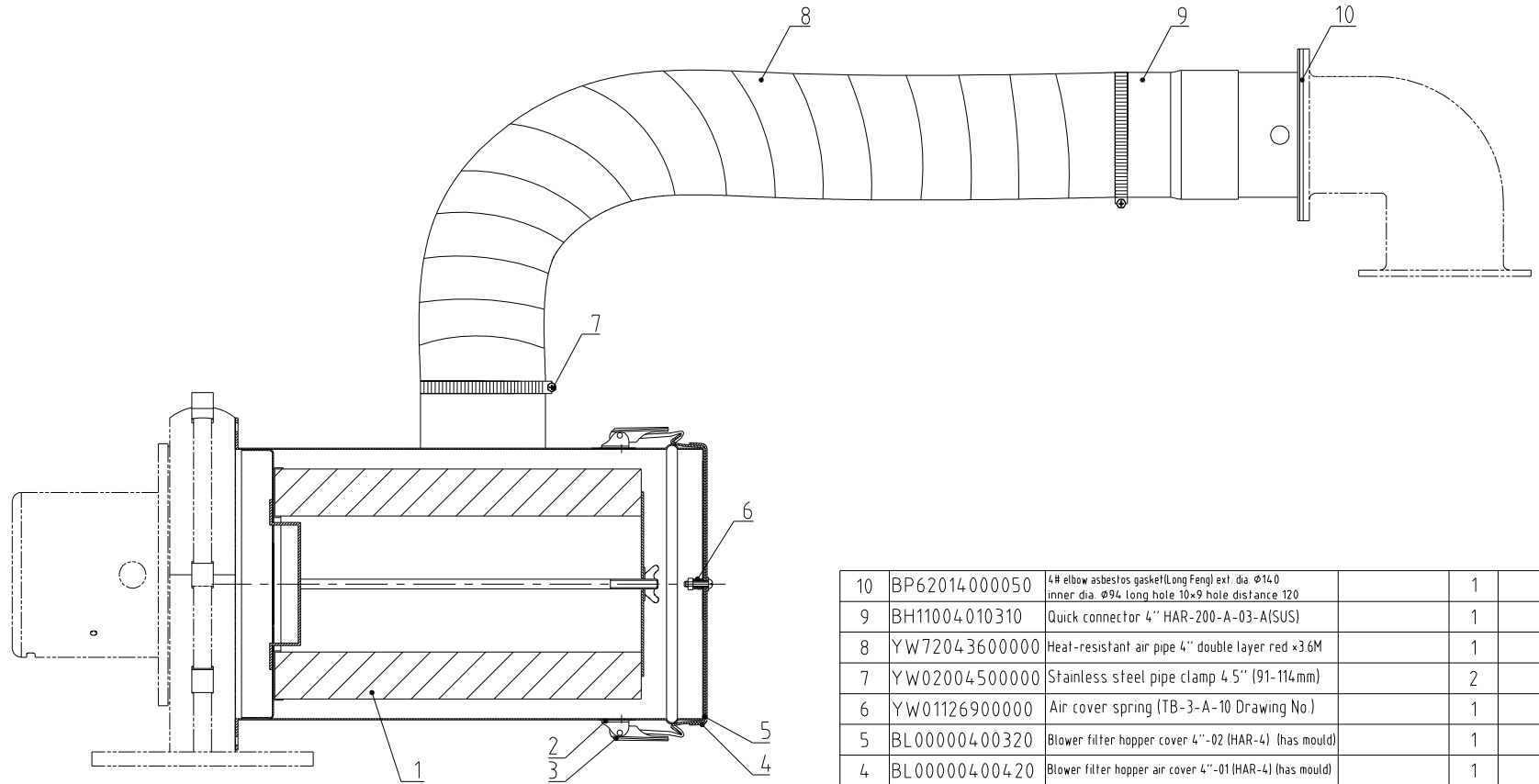
54	YE67002100000	Cable head PG21		1
53	BL50021000120	Wire fixture fixed plate PG21 SG-S-01 (has mould)	SPCC2.0	1
52	YR20861000100	Sealing silicone strip 8*6(100/200/400) (Longfeng)	White silica gel	2 BIM
51	YE60162800100	High-grade plastic coated metal hose Ø16(280-132mm) Two ends are connected with zinc alloy outer wire M20x15	Assembly	1
50	YE90059301300	Thermocouple S*93L-M8-2M pipetSHD-600E-A-55 ver 0	Assembly	1
49	BH704.01800050	Pipe heater SHD-400E-B-01 drawing ver 0-18KW/3/0-400	Assembly	1
48	YW66081600000	Flat washer A grade GB/T91 18 4*16*1.6Longzine		12
47	YW65008000100	Standard spring washer GB/T93 8-Longzine		12

制图	版号	标题	图号	比例	1:16	数量
设计	核准	SHD-400E				
校对	日期	料斗干燥机				
标记	更改前	更改后	更改人	日期	审核	日期
				信易电热机械股份有限公司 Shini Plastics Technologies, Inc.		表面要求 物料号



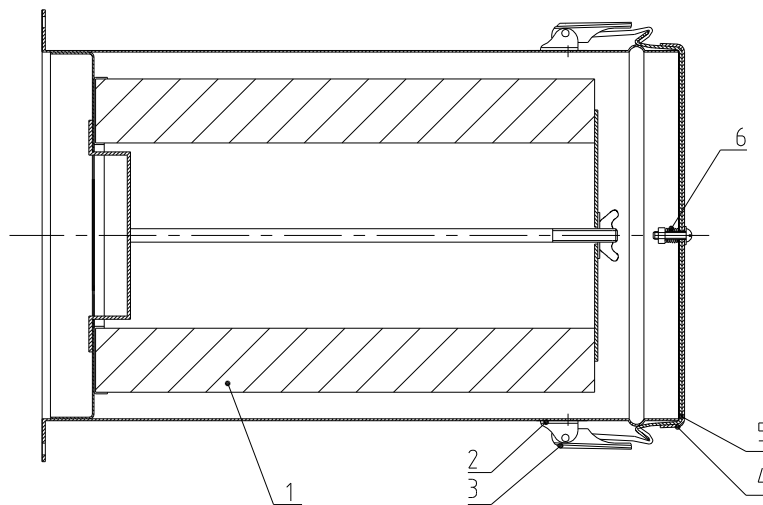
9	YW02003000400	Adjustable snap hook SAL-6U-A-35(ver.c)		3	
8	BA10020000210	Exhaust air pipe SEHD-200-A-14(200/1000(ver.0)(has mould))		1	
7	BL90000300120	Adaptor flange ADC-3EB-A-01(ver.0)		1	
6	YR10204000000	Exhaust air pipe fastener SEHD-200-A-15(ver.0) rubber (has mould)		2	
5	YR50241400100	Filter ADC3 fastener rubber (SMD-2000H-A-ALL-11) ver.B		1	
4	YE66515800000	PVC hose 2" inner dia. 50mm×0.8mm		1	
3	YW02002500000	Stainless steel pipe clamp 2.5"(40-64mm)		2	
2	YR40012500000	Plastic connector 1.25"		1	
1	YR40000000100	Bottom plug ADC-1-A-05 ver.0 (has mould)		1	
序号	代号	名称	材质	数量	备注

					制图	版号	标题	图号	比例	1:10	数量	1
					设计	核准	排风空气滤清器	ADC-3EB-ALL		材质		
				校对								
标记	更改前	更改后	更改人	日期	审核	日期	信易電熱機械股份有限公司 Shini Plastics Technologies, Inc.			表面要求		
										物料号		



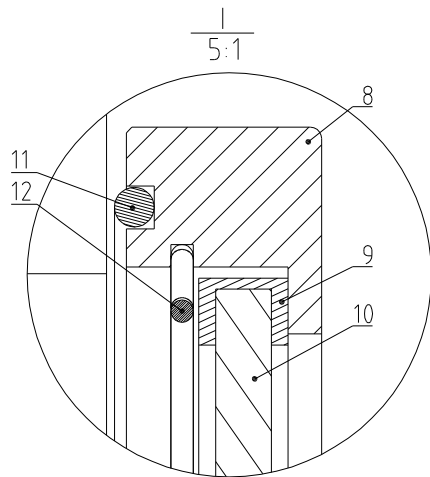
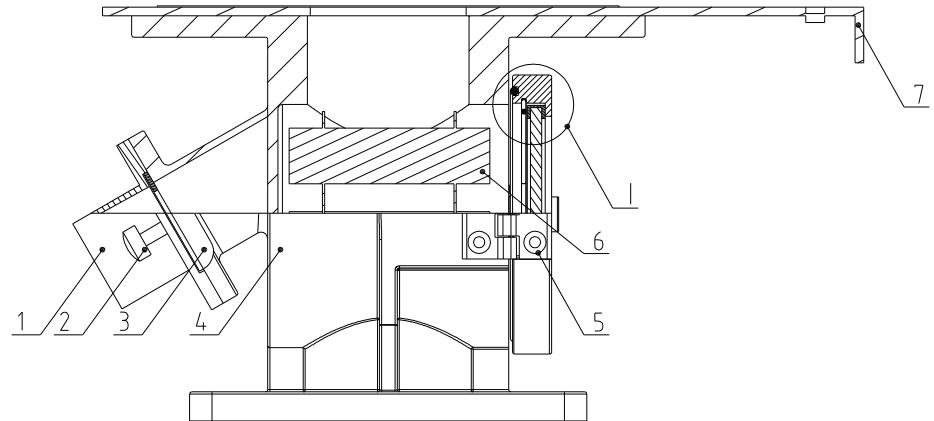
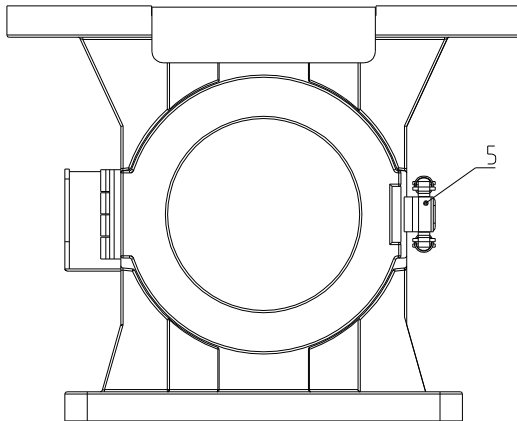
10	BP62014000050	4# elbow asbestos gasket(Long Feng) ext. dia. ϕ 140 inner dia. ϕ 94 long hole 10x9 hole distance 120		1	
9	BH11004010310	Quick connector 4" HAR-200-A-03-A(SUS)		1	
8	YW72043600000	Heat-resistant air pipe 4" double layer red x3.6M		1	
7	YW02004500000	Stainless steel pipe clamp 4.5" (91-114mm)		2	
6	YW01126900000	Air cover spring (TB-3-A-10 Drawing No.)		1	
5	BL00000400320	Blower filter hopper cover 4"-02 (HAR-4) (has mould)		1	
4	BL00000400420	Blower filter hopper air cover 4"-01 (HAR-4) (has mould)		1	
3	YW02003000400	Adjustable snap hook SAL-6U-A-35(ver.c)		2	
2	YR40000600800	Adjustable snap hook pad SAL-6U(white)(has mould)		2	
1	YR50181100000	Filter ADC2 fastener rubber (SMO-1000H-A-ALL-09)ver.0		1	
序号	代号	名称	材料	数量	备注

					制图	版号	标题	图号	比例	1:5	数量	1
					设计	核准	HAR-400EB	HAR-400EB-ALL		表面要求 物料号		
					校对		热风回收器					
标记	更改前	更改后	更改人	日期	审核	日期	20200924	信易電熱機械股份有限公司 Shini Plastics Technologies, Inc.				



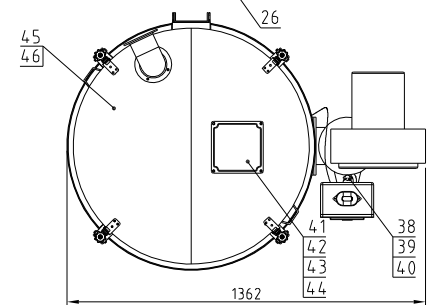
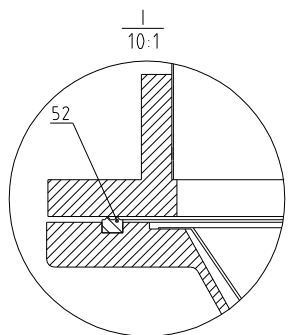
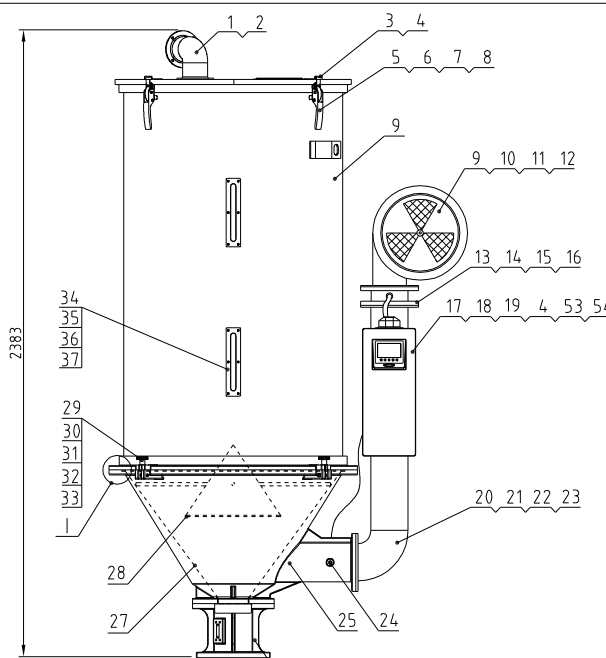
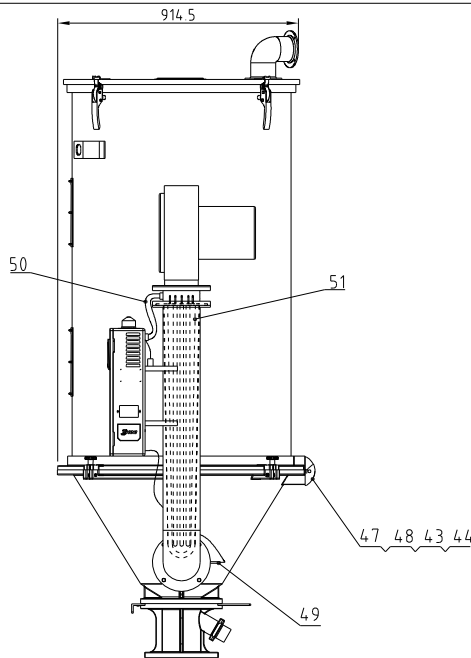
6	YW01126900000	Air cover spring (TB-3-A-10 Drawing No.)		1	
5	BL00000400420	Blower filter barrel air cover 4"-02(HAR-4)(has mould)		1	
4	BL00000400420	Blower filter barrel cover 4"-01(HAR-4)(has mould)		1	
3	YW02003000400	Adjustable snap hook SAL-6U-A-35(ver.c)		2	
2	YR40000600800	Adjustable snap hook pad SAL-6U(white)(has mould)		2	
1	YR50181100000	Filter ADC2 fastener rubber (SMD-1000H-A-ALL-09) ver.0		1	
序号	代号	名称	材料	数量	备注

					制图		版号		标题	AIF-400EB	图号	AIF-400EB-ALL	比例	1:4	数量	1
					设计		核准			风机入口过滤器				材质		
					校对					信易電熱機械股份有限公司 Shini Plastics Technologies, Inc.			表面要求			
标记	更改前	更改后	更改人	日期	审核	日期	20200924				物料号					



12	YA10030406000	Magnetic base 304 clamp 200-400KG(Long Feng)		1	
11	YA10040006000	Magnetic base oil seal 400KG(Long Feng)		1	
10	YA10204006000	Magnetic base glass 200-400KG(Long Feng)		1	
9	YA10240006000	Magnetic base glass rubber ring 200-400KG(Long Feng)		1	
8	YA10040008000	Magnetic base alu. ring 400KG (Long Feng)		1	
7	YW90020002900	Large drag plate HB-200EB-A-03(ver.0)lw.14.0(Long Feng)		1	
6	BA90040008010	Magnetic frame 400 KGL (Long Feng)		1	
5	YW09254008000	Magnetic base hinge/lock 25-400KG(Long Feng)		1	
4	BW20040000810	Magnetic base 400KG(Long Feng) (painted)		1	
3	YW90020003000	Small drag plate HB-200EB-A-04(ver.0)lw.60)		1	
2	YW69616100000	Manual screw M6×16×16		1	
1	YW20020001900	Discharge port HB-200EB-A-02(ver.A)l(Long Feng)		1	
序号	代号	名称	材质	数量	备注

					制图	版号	标题	图号	比例	1:3	数量	1
					设计	核准	MB-400EB 磁力底座	MB-400EB-ALL	表面要求 物料号			
					校对		信易電熱機械股份有限公司 Shini Plastics Technologies, Inc.					
标记	更改前	更改后	更改人	日期	审核	日期			20200522			



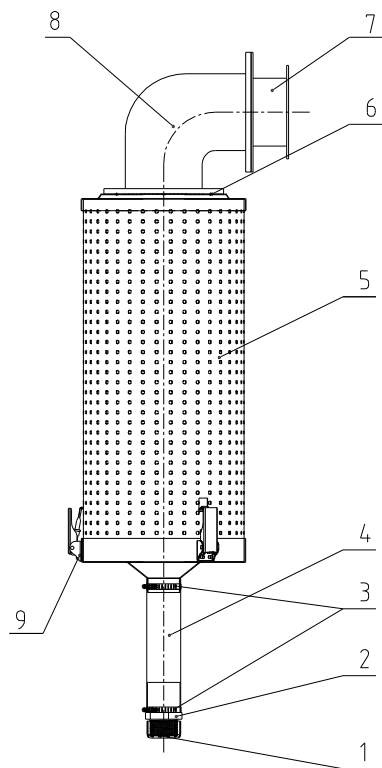
54	YE67002100000	Cable head PG21		1	
53	BL50021000120	Wire fixture fixed plate PG21 SG-5-01 (has mould)	SPCC2.0	1	
52	YR20861000100	Sealing silicone strip 8x6100/200/L001 (Longfeng)	White silica gel	2.81M	
51	BH70503800050	Pipe heater SHD-500-19 SKW3 0 400V	Assembly	1	
50	YE60162800100	High-grade plastic coated metal hose Φ1220x1.2mm Two ends are connected with zinc alloy outer wire M20x15	Assembly	1	
49	YE90059301300	Thermocouple S-93L-M8-2M paper SHD-6000-A-55 ver 01	Assembly	1	
48	YW60082500100	Hex. bolt GB/T5783 M8x25-12.9-Longzine		8	
47	YW90204003300	Hinge (large) SHD-600E-A-09 drawing ver 0 Longfeng	Assembly	1	

Blower Power	Pipe Heater Power	Hopper Capacity	Machine Version
50Hz:0.45kW	60Hz:0.52kW	19.5kW	500kg
			Ver B

46	YR10010040000	Cover fastener SHD-100 white silica gel (has mould)	White silica gel	2	
45	YW90040002800	Hopper cover SHD-400E-A-05 (ver 0) Longfeng	SPCC1.8	1	
44	YW66081600000	Large washer A grade GB/T97.18 4-16-161		12	
43	YW65008000100	Standard spring washer GB/T93 8-Longzine		12	
42	YW60083000200	Hex. bolt GB/T5783 M8x30-8.8-Longzine		4	
41	BW09202000000	Square plate SEHD-100-A-09 (ver 0)(has mould)	SPCC1.0	1	
40	YW64000300100	Hex. nut GB/T6170 M3-Longzine		2	
39	YE50380000000	Umbrella screw M3x8(SUS304)		2	
38	BE85018000350	Thermal protector K180 centrifuge (type 0.5M) (Thermal protection normally open)(has rubber sleeve)	Assembly	1	
37	YW64000500000	Hex nut M5 anti-loose		12	
36	BW09000630040	Sight glass iron sheet six hole (chrome-plated) SEHD-12-A-16 (drawing ver 0)	SPCC2.0	2	
35	YR40001200000	Acrylic six-hole SEHD-12-A-12 (ver 0) Mat. PC (has mould)	PC	2	
34	YR40000600000	Sight glass iron sheet six hole (chrome-plated) SEHD-12-A-11 (drawing ver 0)	Rubber	2	
33	YW66000600000	Ring opening GB/T896 6		4	
32	YW90661003800	Horizontal pin 66100/200/L001 (Longfeng) 100 pcs/bag	Q235	4	
31	YW66103200000	Large washer A grade GB/T96 1010 5x30x2.5 -Longzine		4	
30	YW90012400200	Star ring screw big 100/200/L00 (Longfeng) 150set/case	Q235	4	
29	YW90012400100	Star ring nut big 100/200/L00 (Longfeng) 150 set/case	h17sfe	4	
28	BL01400700220	Upper screen SHD-400E-A-07 drawing ver 0	SUS201	1	
27	YL01040000200	Lower screen SHD-400E-A-06 drawing ver 0	SUS201	1	
26	BY10040000850	Base assembly SHB-400EB (Long Feng)	Assembly	1	
25	YW20040001500	Hopper SHD-400E-A-03 drawing ver 0 Longfeng	AC4B	1	
24	YW80010200100	Plug 1/4		1	
23	YW65012000000	Standard spring washer GB/T93 12-Longzine		4	
22	YW66024130000	Large washer A grade GB/T97.1 1010 5x24x2.5 -Longzine		4	
21	YW60123500000	Hex. bolt GB/T5783 M12x35-8.8-Longzine		4	
20	YW20050000100	Hot air pipe SHD-500E-A-02(0)(Longfeng)	welding parts	1	
19	YW67040600600	Cross recessed pan head self-tapping set screw GB6500 M4x6-Longzine		4	
18	YW67051000700	Cross recessed pan head self-tapping set screw GB6500 M5x10-Longzine		4	
17	BL01500001020	Control box long box SHD-500E-A-03 drawing ver 0	welding parts	1	
16	YW66102000100	Flat washer A grade GB/T97 11011x20x21-Longzine		4	
15	YW61103000100	Inner hex. column head screw GB/T70 1 M10x30-12.9-Longzine		4	
14	YW20040000900	Blower mount flange SHD-400E-A-02 drawing ver 0 Longfeng	AC4B	1	
13	YW65010000000	Standard spring washer GB/T93 10-Longzine		8	
12	YW66102500000	Flat washer 10x25x1.5-Longzine		4	
11	YW61102500000	Inner hex. column head screw GB/T70 1 M10x25-12.9-Longzine		4	
10	YM40534001700	Blower S1(400E) 380V-4.5V/50/60HZ/4.50W/L20W	Assembly	1	
9	SHD-500E-A-01	Storage hopper body	Assembly	1	
8	YW66061300000	Flat washer A grade GB/T97 1 6-Longzine		8	
7	YW65006000100	Standard spring washer GB/T93 6-Longzine		8	
6	YW60061200000	Hex bolt GB/T5783 M6x12-12.9-Longzine		8	
5	YW00121000000	Handle SEHD-25-A-08 (ver 0)(has mould)	Assembly	4	
4	BL01121400120	Handle hook SHD-12E-A-14 (drawing ver 0)	SUS201	4	
3	YW62061000000	Large cross recessed flat head screw JIS1111 M6x10-Longzine		16	
2	YW63061500000	Cross recessed pan head screw GB/T-818 M6x15-Longzine		4	
1	YW20020001800	Exhaust air pipe SHD-200E-A-04 (ver 0)(Longfeng)	AC4B	1	

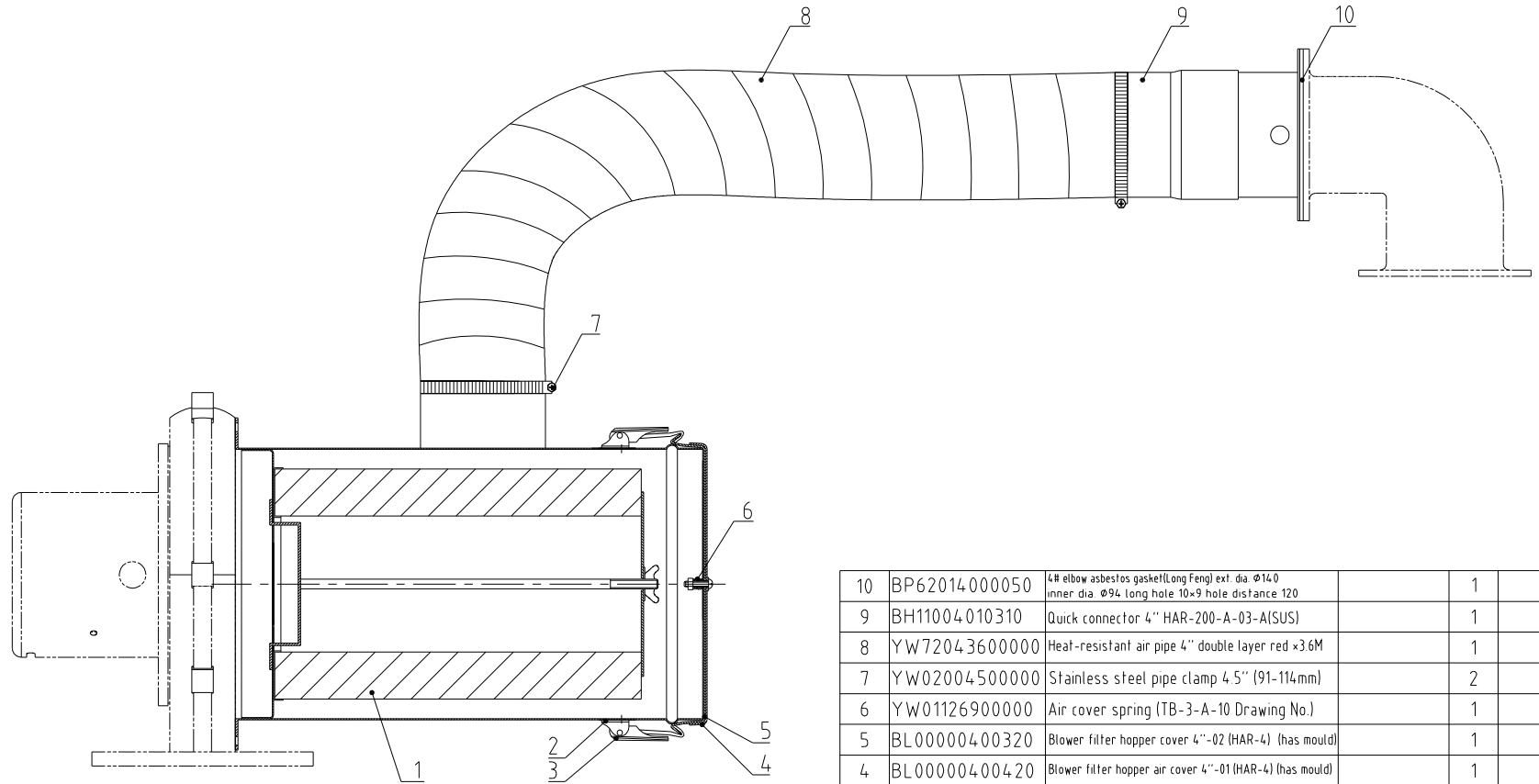
制图	版号					
设计	核准					
校对	日期					
审核	日期					
标记	更改前	更改后	更改人	日期	审核	日期

标题	SHD-500E 料斗干燥机	图号	比例	1:18	数量	1
SHINI 信易电热机械股份有限公司 Shini Plastics Technologies, Inc.			表面要求			
			物料号			



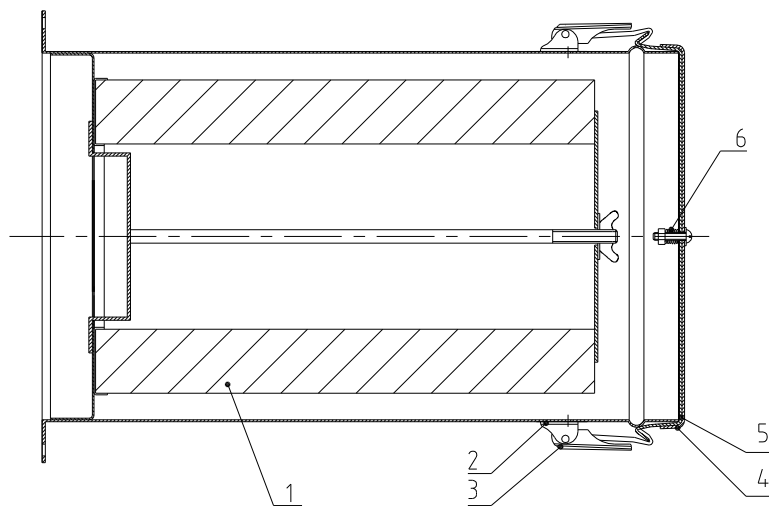
9	YW02003000400	Adjustable snap hook SAL-6U-A-35(ver.c)		3	
8	BA10020000210	Exhaust air pipe SEHD-200-A-14(200/1000I(ver.0)(painted)(has mould)		1	
7	BL90000300120	Adaptor flange ADC-3EB-A-01(ver.0)		1	
6	YR10204000000	Exhaust air pipe fastener SEHD-200-A-15(ver.0) rubber (has mould)		2	
5	YR50241400100	Filter ADC3 fastener rubber (SMD-2000H-A-ALL-11) ver.B		1	
4	YE66515800000	PVC hose 2" inner dia. 50mm×0.8mm		1	
3	YW02002500000	Stainless steel pipe clamp 2.5"(40-64mm)		2	
2	YR40012500000	Plastic connector 1.25"		1	
1	YR40000000100	Bottom plug ADC-1-A-05 ver.0 (has mould)		1	
序号	代号	名称	材质	数量	备注

					制图		版号		标题	ADC-3EB	图号	ADC-3EB-ALL	比例	1:10	数量	1
					设计		核准		排风空气滤清器					材质		
					校对				SHINI 信易電熱機械股份有限公司 Shini Plastics Technologies, Inc.			表面要求				
标记	更改前	更改后	更改人	日期	审核		日期			物料号						



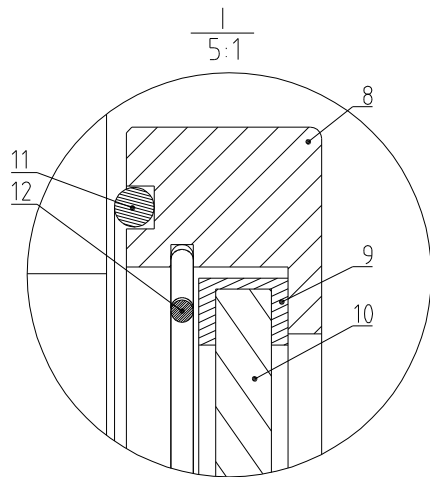
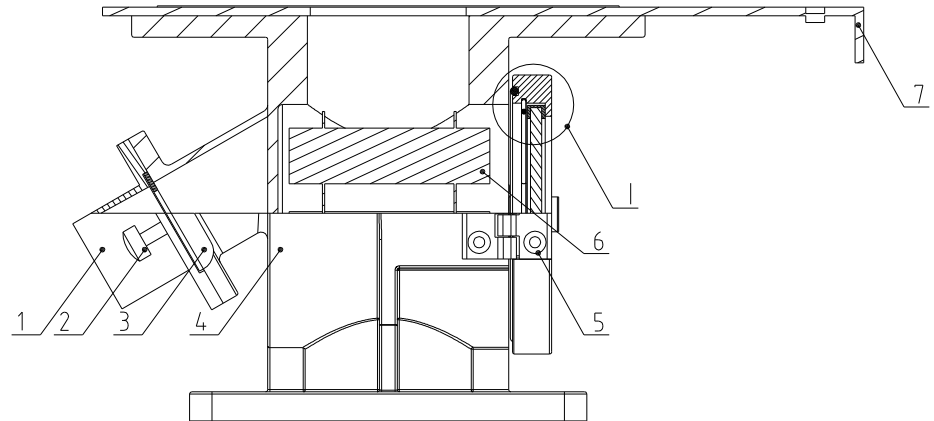
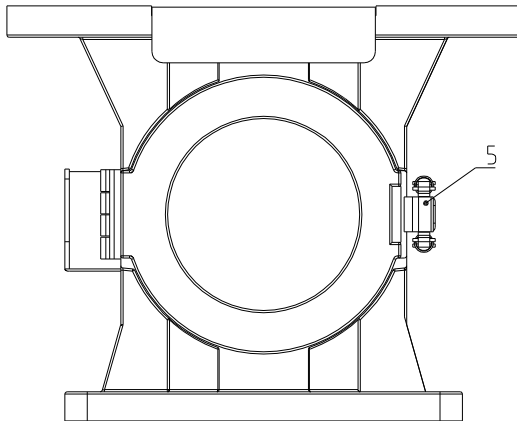
10	BP62014000050	4# elbow asbestos gasket(Long Feng) ext. dia. Φ 140 inner dia. Φ 94 long hole 10x9 hole distance 120		1	
9	BH11004010310	Quick connector 4" HAR-200-A-03-A(SUS)		1	
8	YW72043600000	Heat-resistant air pipe 4" double layer red x3.6M		1	
7	YW02004500000	Stainless steel pipe clamp 4.5" (91-114mm)		2	
6	YW01126900000	Air cover spring (TB-3-A-10 Drawing No.)		1	
5	BL00000400320	Blower filter hopper cover 4"-02 (HAR-4) (has mould)		1	
4	BL00000400420	Blower filter hopper air cover 4"-01 (HAR-4) (has mould)		1	
3	YW02003000400	Adjustable snap hook SAL-6U-A-35(ver.c)		2	
2	YR40000600800	Adjustable snap hook pad SAL-6U(white)(has mould)		2	
1	YR50181100000	Filter ADC2 fastener rubber (SMD-1000H-A-ALL-09)ver.0		1	
序号	代号	名称	材料	数量	备注

					制图	版号	标题	图号	比例	1:5	数量	1
					设计	核准	HAR-400EB	HAR-400EB-ALL				
					校对		热风回收器					
标记	更改前	更改后	更改人	日期	审核	日期	20200924	信易電熱機械股份有限公司 Shini Plastics Technologies, Inc.	物料号			



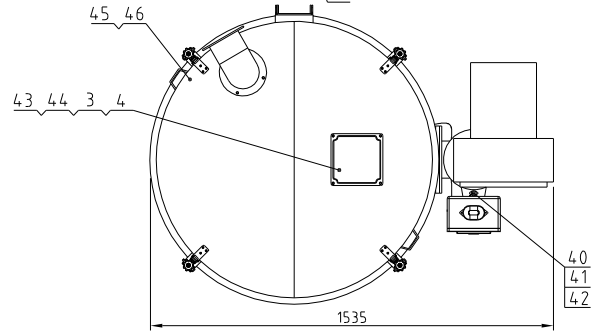
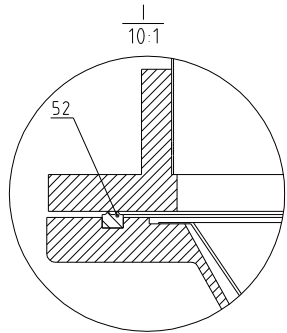
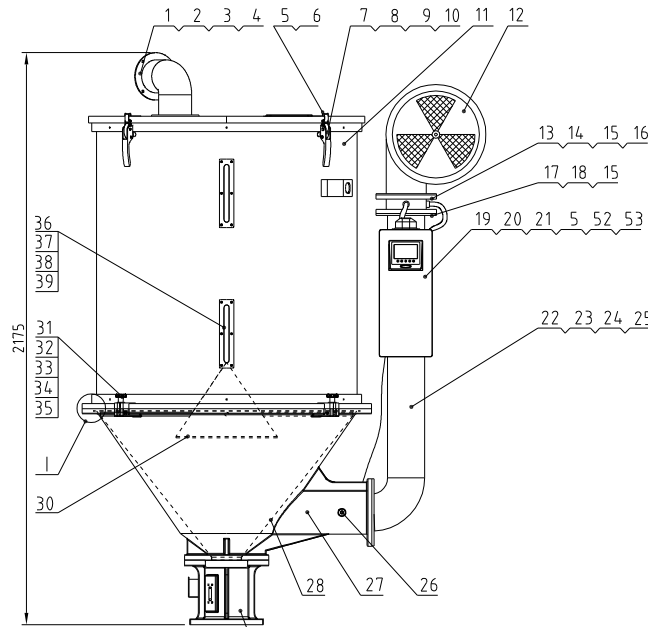
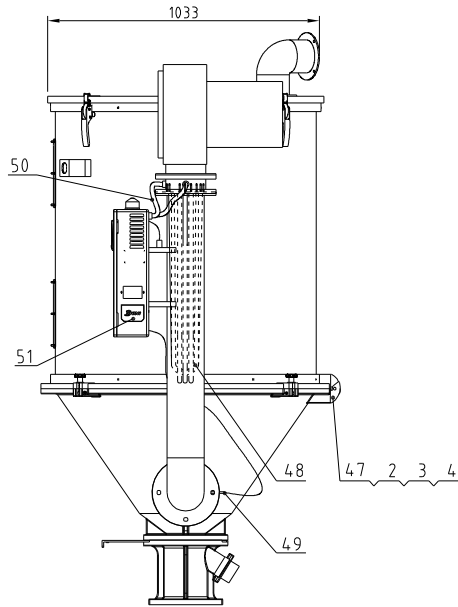
6	YW01126900000	Air cover spring (TB-3-A-10 Drawing No.)		1	
5	BL00000400420	Blower filter barrel air cover 4"-02(HAR-4)(has mould)		1	
4	BL00000400420	Blower filter barrel cover 4"-01(HAR-4)(has mould)		1	
3	YW02003000400	Adjustable snap hook SAL-6U-A-35(ver.c)		2	
2	YR40000600800	Adjustable snap hook pad SAL-6U(white)(has mould)		2	
1	YR50181100000	Filter ADC2 fastener rubber (SMD-1000H-A-ALL-09) ver.0		1	
序号	代号	名称	材料	数量	备注

					制图		版号		标题	AIF-400EB	图号	AIF-400EB-ALL	比例	1:4	数量	1
					设计		核准			风机入口过滤器				材质		
					校对					信易電熱機械股份有限公司 Shini Plastics Technologies, Inc.	表面要求					
标记	更改前	更改后	更改人	日期	审核	日期	20200924				物料号					



12	YA10030406000	Magnetic base 304 clamp 200-400KG(Long Feng)		1	
11	YA10040006000	Magnetic base oil seal 400KG(Long Feng)		1	
10	YA10204006000	Magnetic base glass 200-400KG(Long Feng)		1	
9	YA10240006000	Magnetic base glass rubber ring 200-400KG(Long Feng)		1	
8	YA10040008000	Magnetic base alu. ring 400KG (Long Feng)		1	
7	YW90020002900	Large drag plate HB-200EB-A-03(ver.0)(w.14.0)(Long Feng)		1	
6	BA90040008010	Magnetic frame 400 KG L (Long Feng)		1	
5	YW09254008000	Magnetic base hinge/lock 25-400KG(Long Feng)		1	
4	BW20040000810	Magnetic base 400KG(Long Feng) (painted)		1	
3	YW90020003000	Small drag plate HB-200EB-A-04(ver.0)(w.6.0)		1	
2	YW69616100000	Manual screw M6×16×16		1	
1	YW20020001900	Discharge port HB-200EB-A-02(ver. A)(Long Feng)		1	
序号	代号	名称	材质	数量	备注

					制图	版号	标题	图号	比例	1:3	数量	1
					设计	核准	MB-400EB 磁力底座	MB-400EB-ALL	表面要求	材质		
				校对	日期		20200522	信易电热机械股份有限公司 Shini Plastics Technologies, Inc.				
标记	更改前	更改后	更改人	日期	审核	日期						
										物料号		



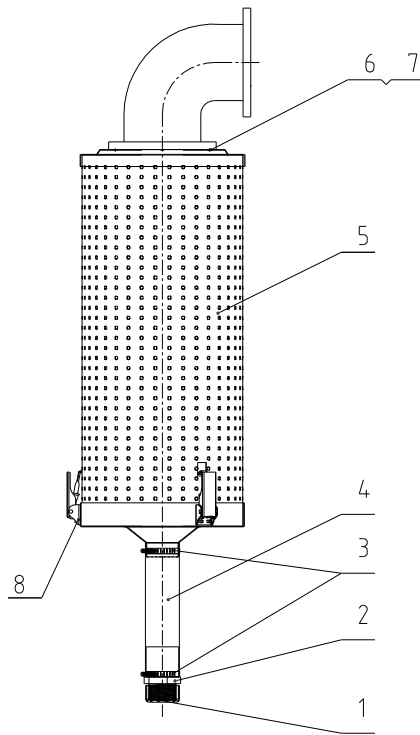
53	YE67002900000	Cable head PG29		1	
52	BL4.000294.0120	Wire fixture fixed plate PG29 SG-5-01 (has mould)	SPCC2.0	1	
51	YR20861000100	Sealing silicone strip B=6100/200/4.00 (Longfeng)	White silica gel	1	3.5M
50	YE60162800100	High-grade plastic coated metal hose Φ120x1.2mm Two ends are connected with zinc alloy outer wire M2x15	Assembly	2	
49	YE90059301300	Thermocouple 5x93L-M8-2M pipeTSHD-600U-A-55 ver.01	Assembly	1	
48	BH70060000250	Pipe heater SHD-600E-B-01 drawing version 0-2KW/3ø/L00V	Assembly	1	
47	YW90204.003300	Hinge (large) SHD-600E-A-09 drawing ver.0 Longfeng	Assembly	1	

Blower Power	Pipe Heater Power	Hopper Capacity	Machine Version
50Hz:1.03kW	60Hz:1.23kW	21kW	600kg
			Ver.B

46	YR1001004.0000	Cover fastener SHD-100 white sital gel (has mould)	White silica gel	2	
45	YW90060000100	Hopper cover SHD-600E-A-03 (ver.0) Longfeng		1	
44	YW60083000200	Hex bolt GB/T5783 M8x30-8.8-Longzine		4	
43	BW09202000000	Square plate SEHD-100-A-09 (ver.0) (has mould)	SPCC1.0	1	
42	YW64.000300100	Hex nut GB/T6170 M3-Longzine		2	
41	YE50380000000	Umbrella screw M3x8(SUS304)		2	
40	BE85018000350	Thermal protector K180 centgrade (wire 0 SHI) (Thermal protection normally open/has rubber sleeve)		1	
39	YW64.0005000000	Hex nut M5 anti-loose		12	
38	BW09000630040	Sight glass iron sheet six hole (chrome-plated) SEHD-12-A-16 (drawing ver.0)	SPCC2.0	2	
37	YR4.00012000000	Acrylic six-hole SEHD-12-A-12 (ver.0) Mat. PC (has mould)	PC	2	
36	YR4.00006000000	Sight glass iron sheet six hole (chrome-plated) SEHD-12-A-11 (drawing ver.0)	rubber	2	
35	YW660006000000	Ring opening GB/T896 6		4	
34	YW90661003800	Horizontal pin 66100/200/4.00 (Longfeng) 100 pcs/bag	Q235	4	
33	YW661032000000	Large washer A grade GB/T96 10/10 5x30x2.5 -Longzine		4	
32	YW900124.00200	Star ring screw big 100/200/4.00 (Longfeng) 150set/case	Q235	4	
31	YW900124.00100	Star ring nut big 100/200/4.00 (Longfeng) 150 set/case	kirsite	4	
30	BL016004.00120	Upper screen SHD-600E-A-04 drawing ver.0	SUS201	1	
29	YL01600000300	Lower screen SHD-600E-A-05 drawing ver.0	SUS201	1	
28	BY10060000850	Base assembly SHB-600E (Long Feng)	Assembly	1	
27	YW20060000500	Hopper SHD-600E-A-06 drawing ver.0 Longfeng	AC4B	1	
26	YW80010200100	Plug 1/4		1	
25	YW6014.4500000	Hex bolt GB/T5783 M14x45-12.9-Longzine		4	
24	YW6614.34.000000	Large washer A grade GB/T93 11203 5x24x2.5 -Longzine		4	
23	YW65014.2000000	Standard spring washer GB/T93 14-Longzine		4	
22	YW200600004.00	Hot air pipe SHD-600E-A-07(0) (Longfeng)	welding parts	1	
21	YW67051000700	Cross recessed pan head self-tapping set screw GB6560 M5x10-Longzine		4	
20	YW6704.06006000	Cross recessed pan head self-tapping set screw GB6560 M5x4-Longzine		4	
19	BL01500001020	Control box long box SHD-500E-A-03 drawing ver.0	welding parts	1	
18	YW66102000100	Flat washer A grade GB/T93 11011x20x21-Longzine		4	
17	YW61103000100	Inner hex column head screw GB/T701 M10x30-12.9-Longzine		4	
16	YW66102500000	Flat washer 10x25x1.5-Longzine		4	
15	YW65010000000	Standard spring washer GB/T93 10-Longzine		8	
14	YW611025000000	Inner hex column head screw GB/T701 M10x25-12.9-Longzine		4	
13	YW20060000600	Blower adapter SHD-600E-A-08 drawing ver.0 Longfeng	AC4B	1	
12	YM4.0633800100	Blower 6"1600E8130380V-L75V/50/60HM/1030/1230W	Assembly	1	
11	SHD-600E-A-01	Storage hopper body	Assembly	1	
10	YW66061300000	Flat washer A grade GB/T93 11 6-Longzine		8	
9	YW65006000100	Standard spring washer GB/T93 6-Longzine		8	
8	YW600612000000	Hex bolt GB/T5783 M6x12-12.9-Longzine		8	
7	YW001210000000	Handle SEHD-25-A-08 (ver.0) (has mould)	Assembly	4	
6	BL011214.00120	Handle hook SHD-12E-A-14 (drawing ver.0)	SUS201	4	
5	YW620610000000	Large cross recessed flat head screw JIS1111 M6x10-Longzine		16	
4	YW65008000100	Standard spring washer GB/T93 8-Longzine		12	
3	YW660816000000	Flat washer A grade GB/T93 18 4x16x1.61-Longzine		12	
2	YW60082500100	Hex bolt GB/T5783 M8x25-12.9-Longzine		12	
1	YW20060000100	Exhaust air pipe SHD-600E-A-02 (ver.0) Longfeng	AC4B	1	

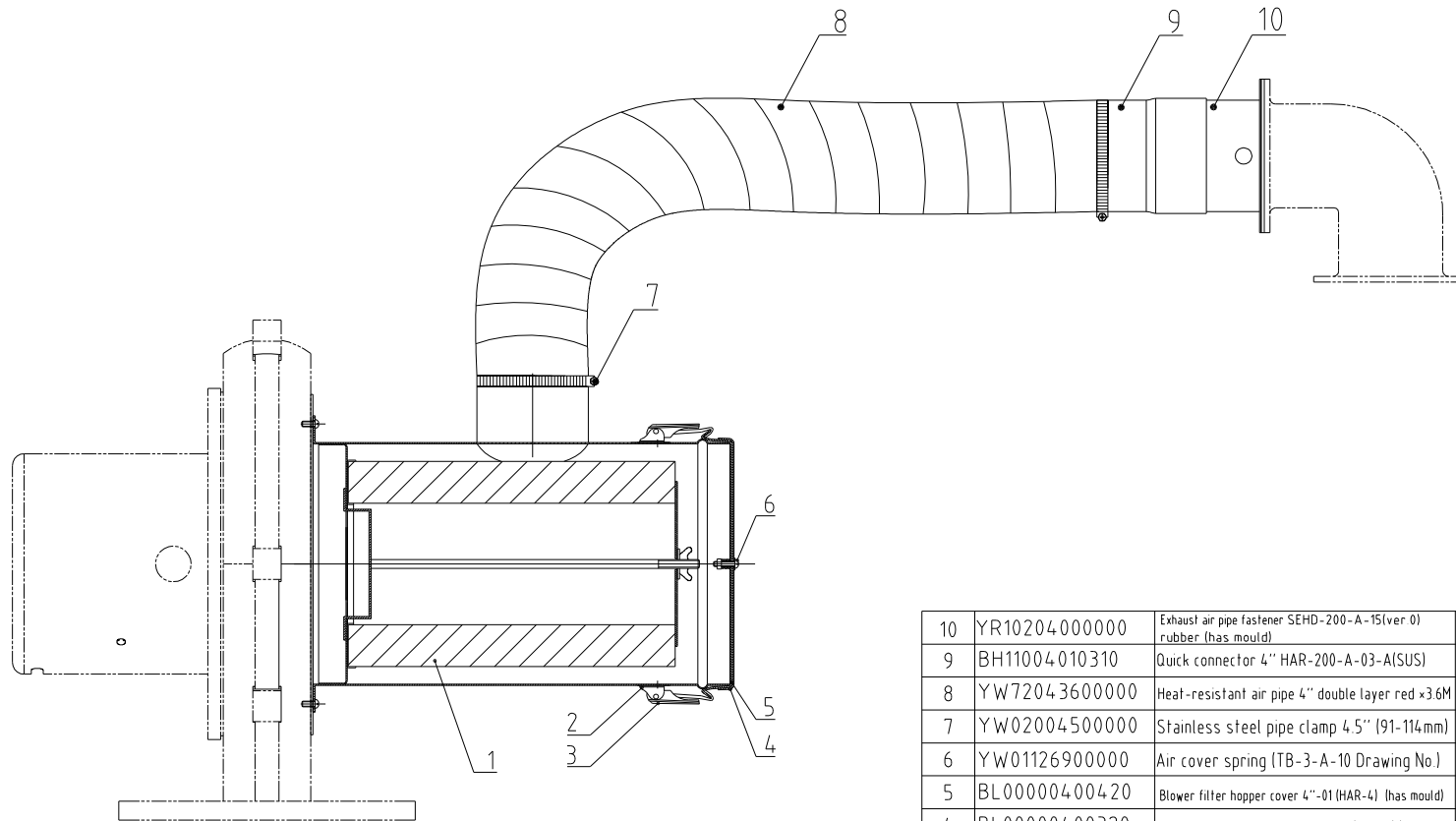
制图	版号				
设计	核准				
校对	核准				
审核	日期				
标记	更改前	更改后	更改人	日期	审核

标题	SHD-600E 料斗干燥机	图号	比例	1:18	数量	1
SHINI 信易电热机械股份有限公司 Shini Plastics Technologies, Inc.			表面要求	物料号		



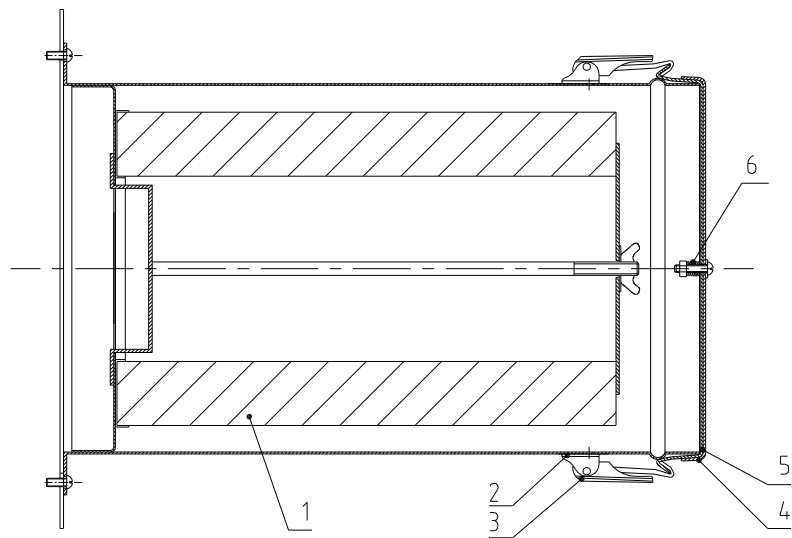
8	YW02003000400	Adjustable snap hook SAL-6U-A-35(ver.c)		3	
7	BA10020000210	Exhaust air pipe SEHD-200-A-14(200/1000)(ver.0)(painted)(has mould)	ZL101	1	
6	YR10204000000	Exhaust air pipe fastener SHD-200/400	rubber	1	
5	YR50241400100	Filter ADC3 fastener rubber (SMD-2000H-A-ALL-11) ver.0	assembly	1	
4	YE66515800000	PVC hose 2"	PVC	1	L=200mm
3	YW02002500000	Stainless steel pipe clamp 2.5"	SUS201	2	
2	YR40012500000	Plastic connector 1.25"	assembly	1	
1	YR40000000100	Bottom plug ADC-1-A-05 ver.0 (has mould)	HCF	1	
序号	代号	名称	材质	数量	备注

					制图	版号	标题	图号	比例	1:10	数量	1
					设计	核 准	ADC-3 排风空气滤清器	ADC-3-ALL			材质	
				校对	表面要求							
标记	更改前	更改后	更改人	日期	审核	日期	20090420			信易电热机械股份有限公司 Shini Plastics Technologies, Inc.		物料号



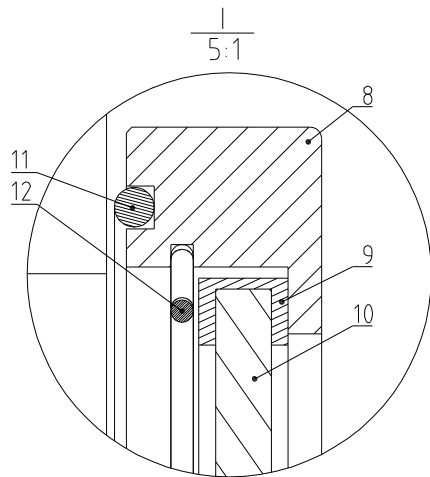
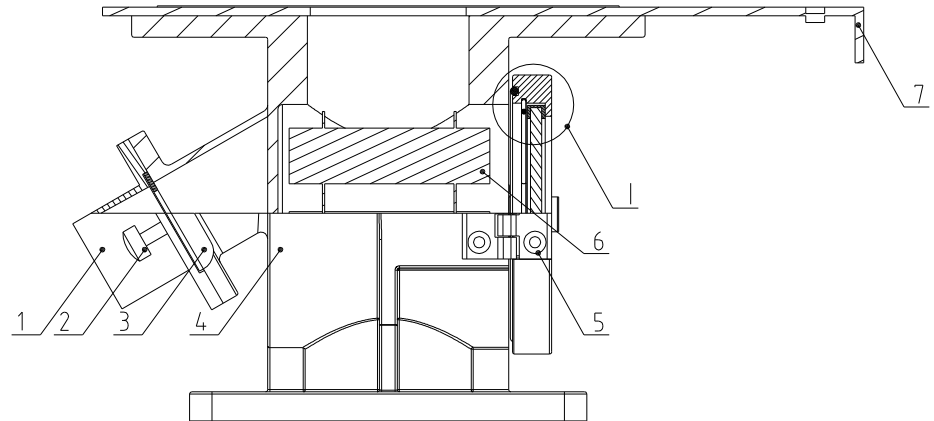
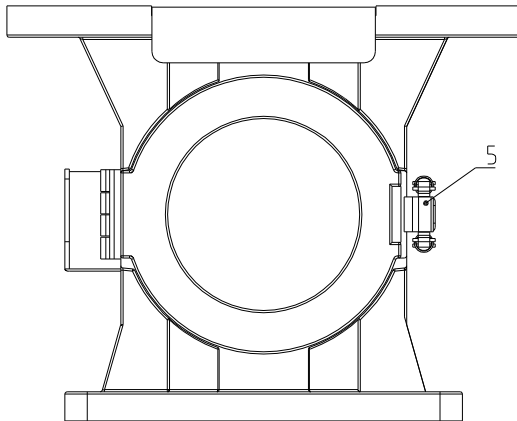
10	YR10204000000	Exhaust air pipe fastener SEHD-200-A-15(ver.0) rubber (has mould)		1	
9	BH11004010310	Quick connector 4" HAR-200-A-03-A(SUS)		1	
8	YW72043600000	Heat-resistant air pipe 4" double layer red x36M		1	
7	YW02004500000	Stainless steel pipe clamp 4.5" (91-114mm)		2	
6	YW01126900000	Air cover spring (TB-3-A-10 Drawing No.)		1	
5	BL00000400420	Blower filter hopper cover 4"-01(HAR-4) (has mould)		1	
4	BL00000400320	Blower filter hopper air cover 4"-01(HAR-4) (has mould)		1	
3	YW02003000400	Adjustable snap hook SAL-6U-A-35(ver.c)		2	
2	YR40000600800	Adjustable snap hook pad SAL-6U(white)(has mould)		2	
1	YR50181100000	Filter ADC2 fastener rubber (SMD-1000H-A-ALL-09)ver.0		1	
序号	代号	名称	材料	数量	备注

					制图	黄学明	版号		标题	HAR-600EB	图号	HAR-600EB-ALL	比例	1:6	数量	1
					设计	黄学明	核		热风回收器							
					校对		准					表面要求				
标记	更改前	更改后	更改人	日期	审核		日期	20200522	信易电热机械股份有限公司 Shini Plastics Technologies, Inc.			物料号				



6	YW01126900000	Air cover spring (TB-3-A-10 Drawing No.)		1	
5	BL00000400420	Blower filter barrel cover 4"-01(HAR-4)(has mould)		1	
4	BL00000400420	Blower filter barrel air cover 4"-01(HAR-4)(has mould)		1	
3	YW02003000400	Adjustable snap hook SAL-6U-A-35(ver.c)		2	
2	YR40000600800	Adjustable snap hook pad SAL-6U(white)(has mould)		2	
1	YR50181100000	Filter ADC2 fastener rubber (SMD-1000H-A-ALL-09) ver.0		1	
序号	代号	名称	材料	数量	备注

					制图	版号	标题	图号	比例	1:4	数量	1
					设计	核 准	AIF-600EB 风机入口过滤器	AIF-600EB-ALL		材质		
				校对				信易電熱機械股份有限公司 Shini Plastics Technologies, Inc.				
标记	更改前	更改后	更改人	日期	审核	日期			20210901		物料号	



12	YA10030406000	Magnetic base 304 clamp 200-400KG(Long Feng)		1	
11	YA10040006000	Magnetic base oil seal 400KG(Long Feng)		1	
10	YA10204006000	Magnetic base glass 200-400KG(Long Feng)		1	
9	YA10240006000	Magnetic base glass rubber ring 200-400KG(Long Feng)		1	
8	YA10040008000	Magnetic base alu. ring 400KG (Long Feng)		1	
7	YW90020002900	Large drag plate HB-200EB-A-03(ver.0)(w/14.0)(Long Feng)		1	
6	BA90040008010	Magnetic frame 400 KG L (Long Feng)		1	
5	YW09254008000	Magnetic base hinge/lock 25-400KG(Long Feng)		1	
4	YW20060000900	Magnetic base MB-600EB-A-01(Drawing ver.0) (Long Feng)		1	
3	YW90020003000	Small drag plate HB-200EB-A-04(ver.0)(W60)		1	
2	YW69616100000	Manual screw M6×16×16		1	
1	YW20020001900	Discharge port HB-200EB-A-02(ver. A)(Long Feng)		1	
序号	代号	名称	材质	数量	备注

					制图	版号	标题	图号	比例	1:3	数量	1
					设计	核准	MB-600EB 磁力底座	MB-600EB-ALL		材质		
					校对		信易電熱機械股份有限公司 Shini Plastics Technologies, Inc.			表面要求		
标记	更改前	更改后	更改人	日期	审核	日期			20200522		物料号	