

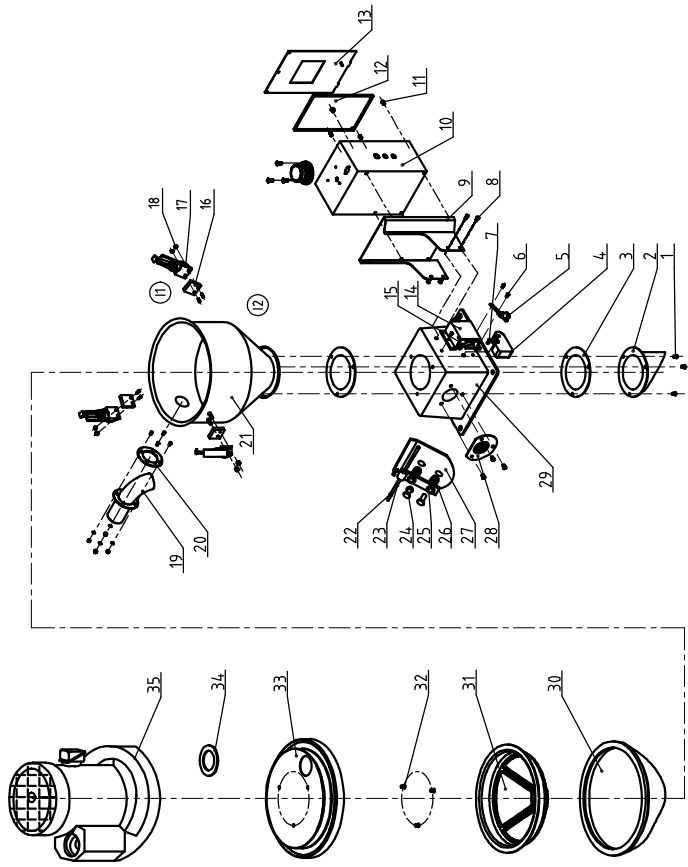
Tech. Req:
 1. Main performance parameter:
 a. Max. conveying capacity: 200kg/hr (Test mat. bulk density: 0.65kg/L);
 b. Blower power: 0.375kW, air flow per hour: 120m³.
 c. Machine power: 3 Φ 400AC, 50Hz.
 d. Material storage tank capacity: 3L.
 2. Assembly Req:
 a. When assembly, adjust the opening of the discharge plate and port to about 6mm;

35	BH30020500150	Blow blower 18.2055A, 1203 phase 230V/140V/50/60Hz	Assembly	1
34	YR1004-0000000	Motor suction port fastener 400A	EVA3.0	1
33	SAL-430-A-01	Hopper cover	Assembly	1
32	YW61061601200	Iron bar column screw GB/T778.1Hex-16-37.5-Lozenge	PBT+30% fiber	3
31	YR4-0003000100	Filter bag ring SAL-30-A-400P (300 fiber) (see model)	T550g	1
30	BP82003000044	Roller bag SAL-30-A-47(see G)	AC4D	1
28	YR100002400100	Support base (type SHH-6L-A-30)(see model)	Assembly	1
26	YW10330000000	Stainless steel discharge port SHH-6L-A-19	SUS201	1
25	BW20000100010	Discharge plate spring SHH-6L-A-52 (see model)	YL112	2
24	YW09061700000	Discharge plate rivet SHH-6L-A-17	Q235A	2
23	BH10061400040	Iron rod SHH-6L-A-14(zinc plated) 0.04kg	Q235A	1
22	YW66000500000	E-1 type washer E5	Assembly	2
20	YR10061200000	Material storage tank	Rubber	1
19	SAL-430-A-06	Suction pipe fastener SAL-6U/2U(see model)	Assembly	1
18	YW64040700100	Inset material pipe 125"	Assembly	10
17	YW02003000400	Non-metal insert hex lock nut GB/T 8882.1 M4	Assembly	3
16	YR40000600080	Adjustable snap hook SAL-6U-A-35	ABS	3
15	YE14512000000	Plastic snap hook washer SAL-6U (see model)	Assembly	1
14	YR40330900000	Limit switch YBLXW-5/1G2	ABS	1
13	SAL-460-A-26	Hexscrew bar SAL-30-A-40(see model)	SPPC15	1
12	SAL-460-A-27	Control box cover	SECC15	1
11	YW63061000000	Elec. mount plate (cross recessed pan head screw GB/T 5287Hex-10x20mm)	Assembly	4
10	SAL-460-A-21	Control box body	SPPC12	1
9	SAL-460-A-25	Control box fixed plate	SPPC12	1
8	YW62061000000	Large cross recessed pan head screw GB/T 5287Hex-10x20mm	Assembly	7
7	YW68005500000	Large cross recessed pan head screw GB/T 5287Hex-10x20mm	Assembly	2
6	YW63041200100	Large metal air screw with flat part GB/T 1965-Lozenge	Assembly	3
5	SMH-6L-B-ALL	Press recessed pan head screw GB/T 481Hex-10x20mm	Assembly	1
4	YW20602100000	Ejector rod mechanism	Zinc alloy	1
3	YR1000000006000	Under-plate SHH-6L-A-30(see model) 230x25	Rubber	2
2	BL20333600020	White iron hopper fastener (hex nut)	SUS304	1
1	YW62052000000	Blow blower fastener (hex nut) SAL-30-A-47 Large cross recessed pan head screw JIS1019620-Lozenge	Material	3

No.	Part No.	Name	Material	Num.	Remarks
	SAL-430	SAL-430-A-ALL		1:2	数量
		直立式双芯送料机			材质
					组件
					表面要求
					物料号



制图	设计	校对	审核	日期	20220228
标记	更改前	更改后	更改人	日期	20110825
版号	G	被准	日期	20110825	
标题	SAL-430-A-ALL				



Tech. Req:
 1. Main performance parameter:
 a. Max. conveying capacity: 300kg/hr (Test mat. bulk density: 0.65kg/L);
 b. Blower power: 0.75kW, air flow per hour: 168 m³.
 c. Machine power: 3 Φ, 400Ac, 50Hz.
 d. Material storage tank capacity: 6L.
 2. Assembly Req:
 a. When assembly, adjust the opening of the discharge plate and port to about 8mm;

35	BM300370000050	Base frame BR-390SAL-460 3 phase 200V/400V/50Hz/60Hz	Assembly	1
34	YR100047000000	Motor suction port fastener 400A	EVA3.0	1
33	SAL-460-A-03	Hopper cover	Assembly	1
32	YW61061601200	Inner hex column screw GB/T193 M6x16-12.8-Longpin		3
31	YR400060000000	Filter bag bag SAL-460-18095 1200*900 (for mold)	PET 305 Filter	1
30	BP820060000044	Cloth bag SAL-60(270-90-95)	T550g	1
29	BA100460000060	Square base plate Type SAL-460-A-18(painted)	AC4D	1
28	YR400024000000	Vacuum hopper plastic exhaust glass SHI-6L-A-33 (white/has mold)	Assembly	1
27	YW103300000000	Stainless steel discharge port SHI-6L-A-19	SUS201	1
26	YW103300000000	Discharge plate spring		2
25	BW200001000010	Hopper air accessory SAL (processed)	YL112	1
24	YW090617000000	Discharge plate rivet SHI-6L-A-17	Q235A	2
23	BH100614000040	Iron rod SHI-6L-A-14 (zinc plated) 0.04kg	Q235A	1
22	YW660005000000	E-type washer E5		2
21	SMH-T2L-A-01	Hopper	SUS304	1
20	YR100061200000	Suction pipe fastener SAL-60(70/has mold)	Rubber	1
19	SAL-60-A-14	Inlet material pipe	SUS201	1
18	YW640407000000	Non-metal insert filter lock nut GB/T8893 M4		10
17	YW020030004000	Adjustable snap hook SAL-60-A-35	Assembly	3
16	YR400006008800	Plastic snap hook washer SAL-60 (white/has mold)	ABS	3
15	YE145120000000	Limit switch YBLXM-57102	Assembly	1
14	YR403090000000	Mesh with box SAL-39-A-18 (has stainless steel/has mold)	ABS	1
13	SAL-460-A-26	Control box cover	SPCC15	1
12	SAL-460-A-27	Elec. mount plate	SECC15	1
11	YW630610000000	Gross recessed pan head screw GB/T 488 M5x16-Longpin		4
10	SAL-460-A-21	Control box body	SPCC12	1
9	SAL-460-A-25	Control box fixed plate	SPCC12	1
8	YW620610000000	Large gross recessed pan head screw #5111 M5x16-Longpin		7
7	YW680005000000	Hex socket set screw with flat part GB/T177 M5x16-Longpin		2
6	YW630412001000	Gross recessed pan head screw GB/T 488 M4x20-Longpin		3
5	SMH-6L-B-ALL	Ejector rod mechanism	Assembly	1
4	YW200621000000	Control valve SHI-6L-A-2 (with electric stop/stop 278356)	Zinc alloy	1
3	YR100000006000	White iron hopper fastener (has mold)	Rubber	2
2	BL203336000020	Stainless steel suction tube SAL-39(786)	SUS304	1
1	YW620520000000	Hex socket set screw #5111 M5x16-Longpin		3

标题	SAL-460	图号	SAL-460-A-ALL
类别	破碎机	比例	1:12
数量	1	数量	1
材料		材料	组件
表面要求		表面要求	
物料号		物料号	



SHINI 海影智能机械股份有限公司
 SHINI Products Technology, Inc.

版本号	1	日期	20110825
设计		日期	
校对		日期	
审核		日期	
更改前		更改后	
更改人		更改人	
日期		日期	