

42	YW90033005500	Cloth spraying device SAL-330-A-11B(A)C10V	Assembly	1	115V电压用
	YW90033005000	Cloth spraying device SAL-330-A-11B(A)C10V	Assembly	1	230V电压用
41	BH120304.00410	Connecting nut 1	Cu	1	
40	BR10281500050	Backwash pipe fastener SAL-3U(28×15mm)		1	
39	BH13033000810	Backwash pipe nozzle	AC4D	1	
38	BP82003000044	Cloth bag*	Assembly	1	
37	YR40003000100	Filter cloth ring*	plastics	1	
36	YR10000000600	White iron hopper fastener (has mould)	rubber	2	
35	YR40002400100	Vacuum hopper plastics exhaust window SPH-6L-A-32 (ver.0) (white) (has mould)	plastics	1	
34	BH100614.00040	Stainless steel rod	SUS201	1	
33	YW690504.00000	Open flat round head blind rivet (GB/T 12618 4x10-A2-70(SUS))		2	
32	YW68051000000	Inner hex. flat end lock screw GB/T171 M5x10-Longzine		2	
31	YW20602100000	Weighing hammer	zinc alloy	1	
30	BH13060100310	Ejector rod mechanism	Assembly	1	
29	YW62061000000	Large recessed flat head screw JIS1111 M6x10-Longzine		3	
28	YW01033000000	Discharge plate spring	65Mn	2	
27	YW09061700000	Discharge plate rivet	YL12	2	
26	BW20000100010	Aluminum accessories	YL12	1	
25	YW63041000000	Cross recessed pan head screw GB/T-818 M4x12-Longzine		2	
24	YR40330900000	Microswitch box SAL-330-A-09(plastics)(white)(has mould)	plastics	1	
23	YE14511200000	Limite switch YBLXW-5/11G2	Assembly	1	
22		Storage hopper	SUS304	1	
21	YW66051300000	Flat washer 5.5×13×1 Longzine		6	
20	YW64000500000	Hex nut M5 anti-loose		6	
19	BL32061100040	Upper hinge	SPCC3.0	1	
18	BL32061200040	Lower hinge	SPCC3.0	1	
17	BH10006003110	Hinge pin	SUS201	1	
16	YW66102500000	Flat washer 10x25x15 Longzine		2	
15	YW66000600000	Split washer GB/T896 6		2	
14	YW66061300000	Flat washer A grade GB/T97.1.6-Longzine		4	
13	YW65006000100	Sfandard spring washer GB/T93 6-Longzine		2	
12	YW61062000300	Inner hex. column head screw GB/T70.1 M6x20-12.9-Longzine		2	
11	BW20012000040	Aluminum handle L120	YL12	1	
10	YR40000300100	Motor cover	plastics	1	
9	YR40000600800	Snap hook washer	ABS	2	
8	YW02003000400	Adjustable snap hook SAL-6U-A-35	Assembly	2	
7	YW64040700100	Non metal insert hex. lock nut GB/T889.1 M4		4	
6	YW69041500100	Planting screw M4x15		4	
5	BL32000600020	Inlet pipe	SUS201	1	
4	YW69041000000	Planting screw M4x10		4	
3	YR10061200000	Material inlet pipe fastener	rubber	1	
2		Control box	Assembly	1	
1	BA10040000260	Square base (thin)	YL12	1	

59	YW10000000100	Discharge plate	SUS201	1	
58	YE6700094.00000	Cable lock head PG9		5	
57	BL20333600020	Silical hole	SUS304	1	
56	YW62051000100	Large recessed flat head screw JIS1111 M5x10-Longzine		7	
55		Control box fixed plate	SPCC1.5	1	
54	YW62052000000	Large recessed flat head screw JIS1111 M5x20-Longzine		3	
53		Hopper flange	SPH4.0	1	
52	YW6304.0600000	Cross recessed pan head screw GB/T-818 M4x6-Longzine		3	
51	BL90011500020	Alarm light (red, white flicker + buzzer) AC115V/230V	Assembly	1	
50	YW64613500000	Small countersunk rivet nut GB/T17880.1 M6x13.5 Longzine		4	
49		Motor cover fixing base	SUS201	3	
48		Hopper cover	SUS201	1	
47	YW61069000100	Inner hex. column head screw GB/T70.1 M6x90-12.9-Longzine		3	
46		Motor fastener (lower)	EVA5.0	1	
45	YM30965600000	Carbon motor 1φ220V 1150W	Assembly	1	
44	YP6214.1200000	Motor fastener (upper)	EVA3.0	1	
43		Motor fixing base	SECC2.0	1	

Tech. Req.:

1.Main parameters:

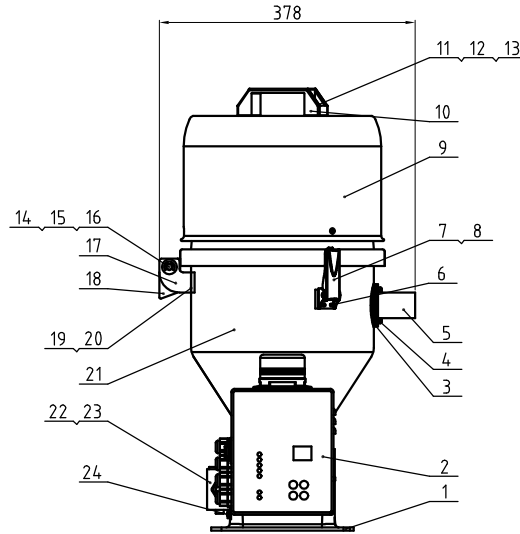
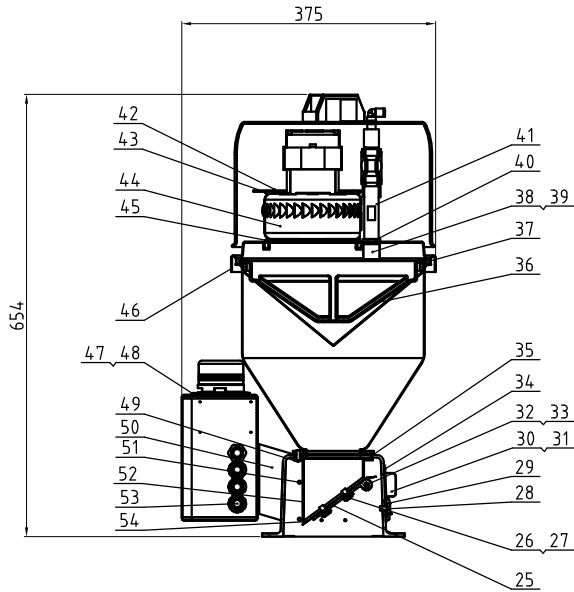
- a. The conveying capacity is 200kg/hr (The bulk density of the tested material is 0.65kg/L);
- b. Machine power:1 φ 230VAc,50Hz;
- c.Motor power: 1.15kW;
- d.Storage hopper capacity is 3L;

2.Assembly Req.:

- a. The opening of the adjusting discharge plate and discharge port is about 8mm during assembly.

Note: Parts with \* are easy broken parts.

					制图	版号	标题	图号	比例	1:7	数量	1	Remarks
					设计	核准	SAL-330		直结式真空填充机		材质	组件	
					校对		SHINI	信易电热机械股份有限公司 Shini Plastics Technologies, Inc.	表面要求				
标记	更改前	更改后	更改人	日期	审核	日期			物料号				



41	YW90036006600	Cloth spraying device SAL-360-A-07(Ver. B)AC10V	Assembly	1	For voltage 115V
	YW90036006600	Cloth spraying device SAL-360-A-07(B)AC220V	Assembly	1	For voltage 230V
40	BH120304.004.10	Connecting nut	HPB59-1	1	
39	BR10281500050	Backwash pipe fastener SAL-3U(28x15mm)	Silica gel	1	
38	BH13033000810	Backwash pipe nozzle	AC4D	1	
37	BP82003000044	Hopper fastener and cloth filter assembly	Assembly	1	
36	YR40003000100	Cloth bag*	PBT-30% fiber	1	
35	YR10000000600	Filter cloth ring*	Rubber	2	
34	YR40002400000	Vacuum hopper plastics exhaust window SMH-6L-A-32(Ver.0)(white)(has mould)	Assembly	1	
33	BH100614.0004.0	Iron rod SMG-6L-A-14 *	Q235A	1	
32	YW69050400000	Open flat round head blind rivet GB/T 12618 4x10-A2-70(SUS)		2	
31	YW68051000000	Inner hex. flat end lock screw GB/T777 M5x10-Longzine		2	
30	YW20602100000	Weighing hammer	zinc alloy	1	
29	BH13060100310	Ejector rod mechanism	Assembly	1	
28	YW62061000000	Large recessed flat head screw JIS1111 M6x20-Longzine		3	
27	YW01033000000	Discharge plate spring	65Mn	2	
26	YW09061700000	Discharge plate rivet	Q235A	2	
25	BW20000100010	Aluminum accessories	YL112	1	
24	YW6304.1000000	Cross recessed pan head screw GB/T-818 M4x12-Longzine		2	
23	YR40330900000	Microswitch box SAL-330-A-09(plastics)(white)(has mould)	ABS	1	
22	YE14511200000	Limite switch YBLXW-5/11G2	Assembly	1	
21		Storage hopper	SUS304	1	
20	YW66051300000	Flat washer 5.5x13x1 Longzine		6	
19	YW64000500000	Hex nut M5 anti-loose		6	
18	BL3200060024.0	Upper hinge SAL-6U-11	SPCC3.0	1	
17	BL3200060014.0	Lower hinge SAL-6U-12	SPCC3.0	1	
16	BH10006003110	Hinge pin SAL-6U-31	SUS201	1	
15	YW66102500000	Flat washer 10x25x1.5 Longzine		2	
14	YW66000600000	Split washer GB/T896 6		2	
13	YW66061300000	Flat washer A grade GB/T97.1.6-Longzine		4	
12	YW65006000100	Standard spring washer GB/T93 6-Longzine		2	
11	YW61062000300	Inner hex. column head screw GB/T70.1 M6x20-12.9-Longzine		2	
10	BW2001200004.0	Aluminum handle L120	YL112	1	
9	YR40000300100	Motor cover	Fire-proof ABS	1	
8	YR40000600800	Snap hook plastics washer SAL-6U (white)(has mould)	ABS	2	
7	YW020030004.00	Snap hook SAL-6U-A-35	Assembly	2	
6	YW64040700100	Non metal insert hex. lock nut GB/T889.1 M4		4	
5	BL32000600020	Inlet pipe	SUS201	1	
4	YW66051000000	Flat washer A grade GB/T97.1.5-Longzine		4	
3	YR10061200000	Material inlet pipe fastener	Rubber	1	
2		Control box	Assembly	1	
1	BA10040000260	Square base (thin)	YL112	1	

Tech. Req.:

1.Main parameters:

- a. The conveying capacity is 200kg/hr (The bulk density of the tested material is 0.65kg/L);
- b. Machine power:1 Φ 230VAc,50Hz;
- c.Motor power: 1.15kW;
- d.Storage hopper capacity is 6L;

2.Assembly Req.:

- a. The opening of the adjusting discharge plate and discharge port is about 8mm during assembly.

Note: Parts with \* are easy broken parts.

54	YW10000000100	Discharge plate SMH-6L-A-19	SUS201	1	
53	YE6700094.0000	Cable lock head PG9		5	
52	BL20333600020	Silical hole	SUS304	1	
51	YW62051000100	Large recessed flat head screw JIS1111 M6x18-Longzine		7	
50		Control box fixed plate	SPCC1.5	1	
49	YW62052000000	Large recessed flat head screw JIS1111 M5x20-Longzine		3	
48	YW63040600000	Cross recessed pan head screw GB/T-818 M4x6-Longzine		3	
47	BL90011500020	Alarm light (red, white flicker + buzzer) AC115V/230V	Assembly	1	
46		Hopper cover		1	
45		Motor fastener (lower)	EVA5.0	1	
44	YM30965600000	Carbon motor 1ø220V 1150W	Assembly	1	
43	YP6214.1200000	Motor fastener (upper)	EVA3.0	1	
42	BL21000300420	Motor fixing base SAL-3U-A-13	SECC2.0	1	

					制图	版号	标题	图号	比例	1:7	数量	1	Remarks
					设计	核准	SAL-360		直结式真空填料机		材质	组件	
					校对		SHINI	信易电热机械股份有限公司 Shini Plastics Technologies, Inc.	表面要求				
标记	更改前	更改后	更改人	日期	审核	日期			物料号				