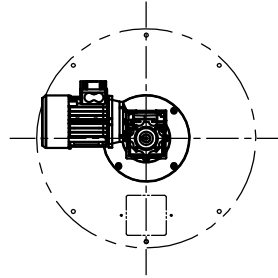
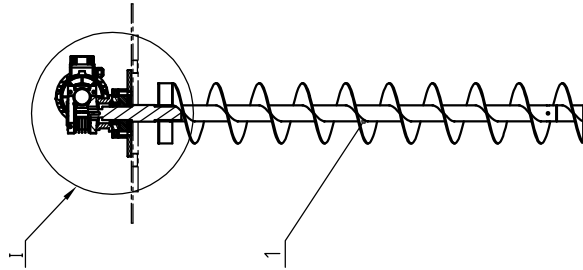
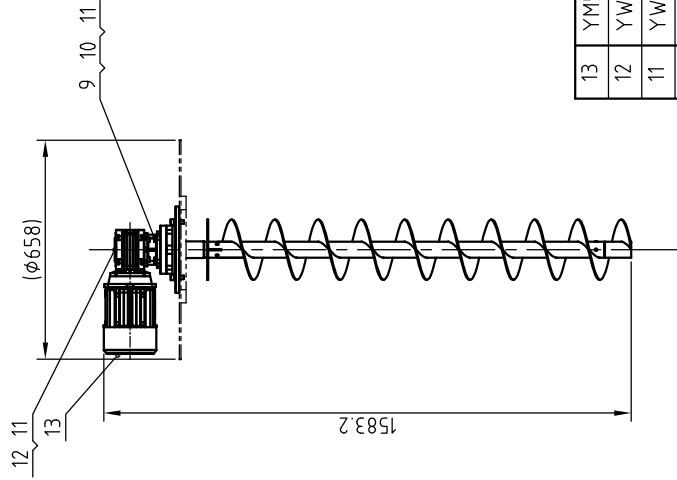


1
2.5:1

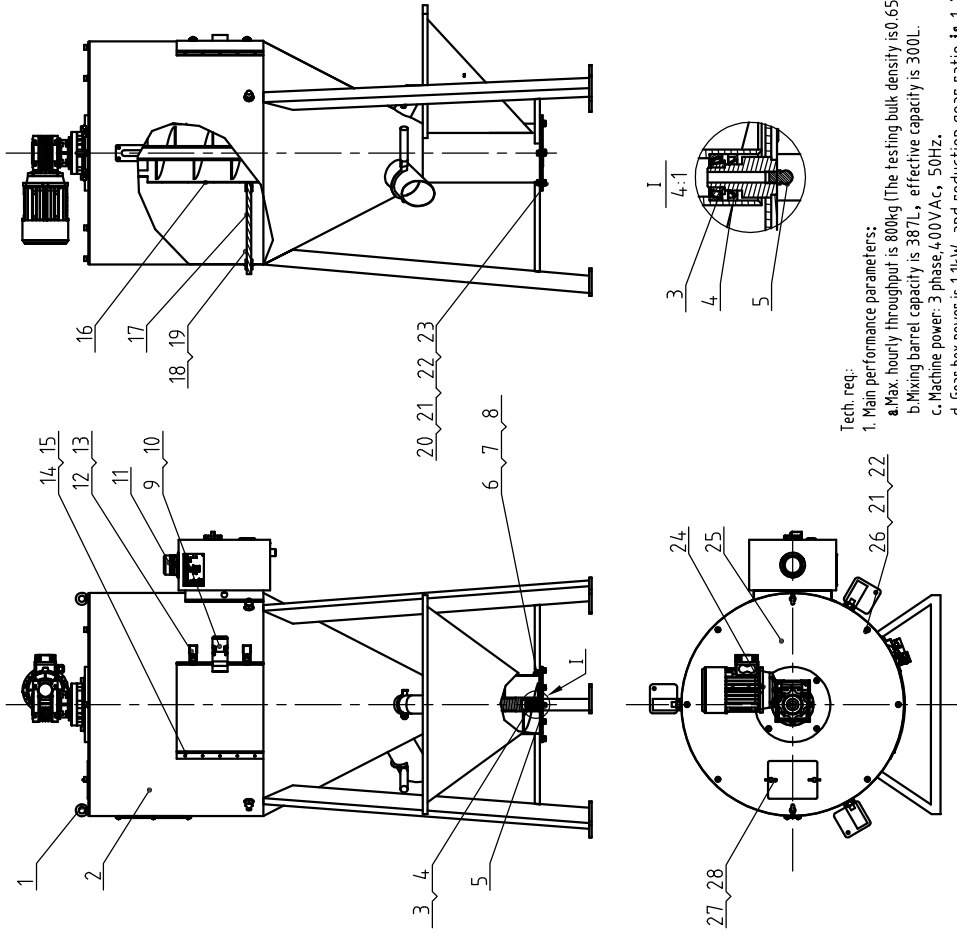


No.	Code	Name	Ma t.	Qty.	Remark
13	YM50507500700	Gear box NMRV050-FA-75+TSR004B4WPTC	Assembly	1	
12	YW61081600000	Inner hexagon cylinder screw GB/T770.1 M6x16-22.9-Longzine		1	
11	YW66102500000	Flat washer 10x25x1.5 Longzine		5	
10	YW65010000000	Standard spring washer GB/T93.10 Longzine		5	
9	YW60102500000	Hexagon bolt GB/T5783M10x25 Longzine	8.8	4	
8	SVM-160U-C-03	Motor shaft key		1	
7	YW65012000000	Standard spring washer GB/T93.13 Longzine		4	
6	YW61124500000	Inner hexagon cylinder screw GB/T770.1 M6x1.5 Longzine		4	
5	SVM-160U-C-04	Connect to base bearing adapter flange		1	
4	YR20528501500	Framework oil seal 52x85x8	chemigum	1	
3	YW11020800000	Spherical surface ball bearing with convex round seat		1	
2	SVM-160U-C-02	Hopper lid adapter flange		1	
1	SVM-160U-C-01	Mixing shaft assembly		1	

Drawer	Version	Title	Drawing No.	Scale	Qty.	Remark
	0	SVM-160U	SVM-160U-C-ALL	1:20	1	
Designer		Mixing assembly				
Proofread by						
Check by						
Mark	Before Mod.	After Mod.	Modified by	Modified Date	Mat. No.	Surface req.



Date 20191128



Tech. req:
 1. Main performance parameters:
 a. Max. hourly throughput is 800kg (The testing bulk density is 0.65kg/L)
 b. Mixing barrel capacity is 387L, effective capacity is 300L.
 c. Machine power: 3 phase, 400V AC, 50Hz.
 d. Gear box power is 1.1kW, and reduction gear ratio is 1: 7.5;
 2. Assembly req:
 a. Inner door frame of the upper cleaning door assembly should stick EVA;

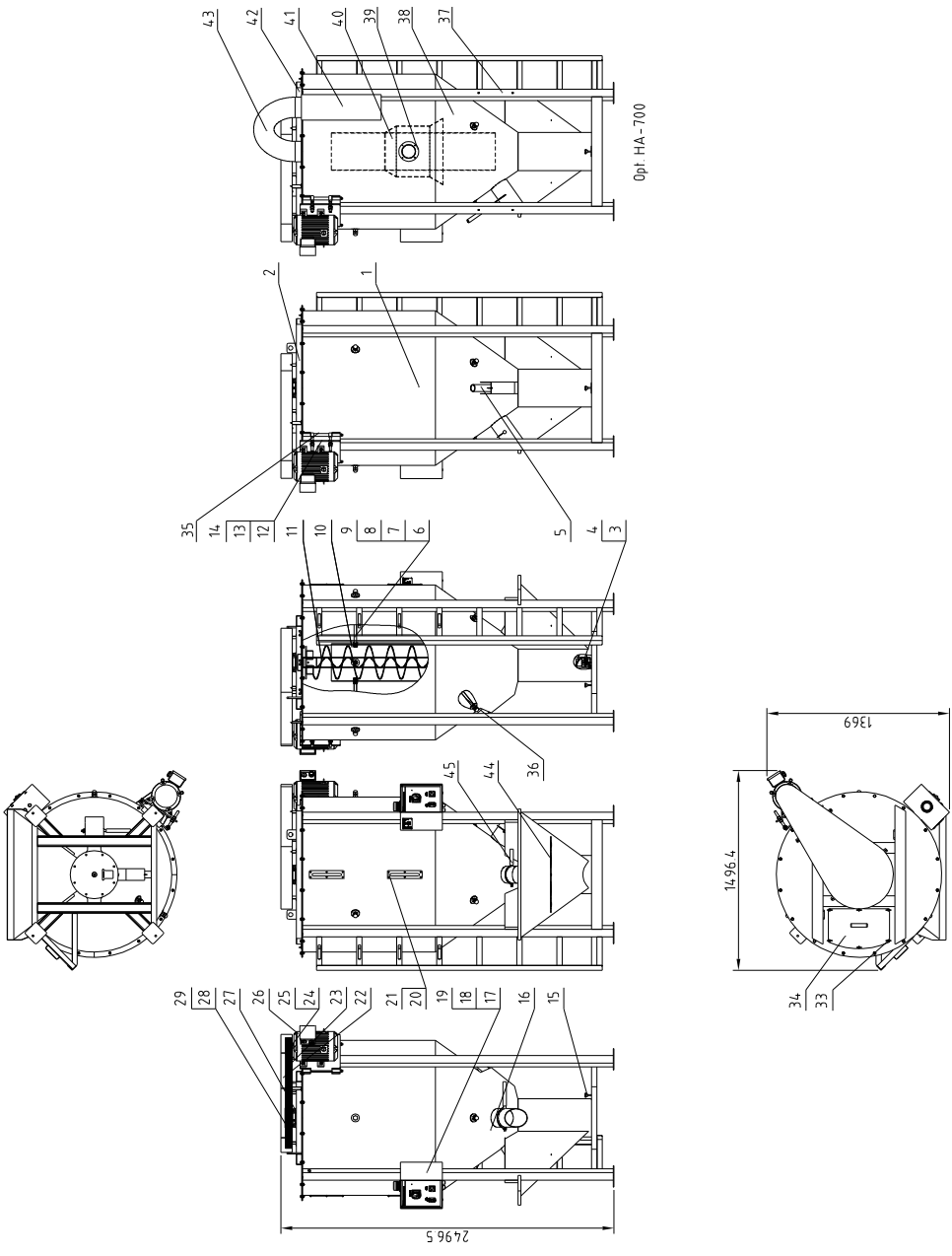
No.	Code	Name	Ma t.	Qty.	Remark
28	YW69061500000	butterfly bolt M6x15		2	
27	SVM-1600U-B-03	hopper lid cleaning door		1	
26	YW61101500000	Hexagon socket head cap screw GB/T11710x15 Longzine		6	
25	SVM-300U-B-ALL	Hopper lid assembly		1	
24	SVM-300U-C-ALL	Mixing assembly		1	
23	YW640010000100	Hex nut GB/T617 M10 Longzine		6	
22	YW661020000100	Flat washer 10x25x1.5 Longzine		18	
21	YW650100000000	Standard spring washer GB/T93 10 Longzine		12	
20	YW601025000000	Hex nut GB/T5783M10x25 Longzine		6	
19	YW640016000100	Hex nut GB/T6170 M16	SUS	9	
18	SVM-160U-ALL-05	Screw gasket		3	borrow
17	SVM-300U-ALL-02	Screw		1	
16	SVM-300U-ALL-01	Sleeve		1	
15	YW690504000000	Open flat head self-plugging metal GB/T1228 4x10	SUS	5	
14	SVM-300U-D-ALL	Upper cleaning door assembly		1	
13	YW620510000000	Cross socket large flat head screw JIS1115x10	SUS	2	
12	YE16152600100	Adjustable bolt switch AZ15ZYRK-1476-4B3		1	
11	SVM-160U-E-ALL	Control box		1	borrow
10	YW611034000000	Cross socket pan head screw GB/T-823M4x10 (SUS)		4	
9	YW02003000400	Adapater spring fastener SAL-6U-A-35		2	
8	YW696161000000	Hand twist screw M6x16x16		1	
7	SVM-160U-ALL-03	Purging flashboard		1	borrow
6	SVM-160U-G-ALL	Bottom plate welding		1	borrow
5	YW049010060000	90° oil injection nozzle M10 (fin thread)		1	
4	YR20224001500	Framework oil seal 22x4.0x8	chemigum	1	
3	YW09302001500	Cone roller bearing HR30203J	NSK	1	
2	SVM-300U-A-ALL	Hopper lid assembly		1	
1	YW090010000100	Lifting bolt GB/T825 M10		2	

Drawer	Version	Title	Scale	Qty.	Remark
	0	SVM-300U Vertical Mixer	1:23	1	
Designer	Approve				
Proofread by					
Check by	Date				
Mark	Before Mod.	After Mod.	Modified by	Modified Date	



Surface req.	Ma t.	Qty.	Remark
物料号			

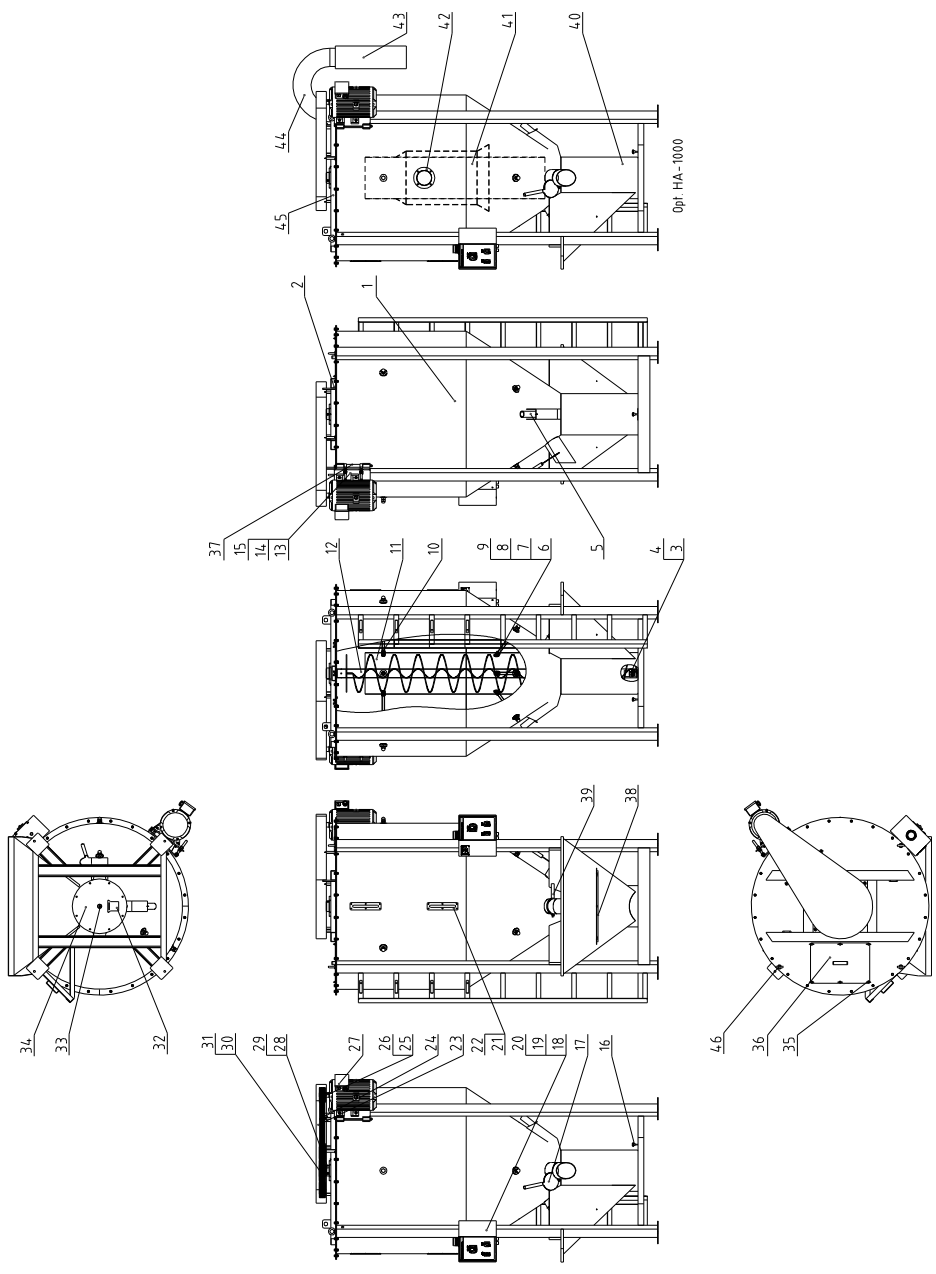
45	SVM-1000U-19	Mat. discharge port flashboard	1
44	SVM-1000U-A-11	Filter screen	1
43	SVM-1000U-F-03	Air outlet pipe	1 Opt.
42	SVM-1000U-F-06	Hopper cover welding	1 Opt.
41	BP82321900144	Filter bag	1 Opt.
40	SVM-1000U-F-01	Healing sleeve	1 Opt.
39	SVM-1000U-F-02	Air inlet flange	1 Opt.
38	SVM-1000U-F-05	Hopper welding	1 Opt.
37	SVM-1000U-F-04	Dryer feed frame	2 Opt.
36	SVM-1000U-17	Screw 2	3
35	SVM-1000U-16	Star screw sleeve	1
34	SVM-1000U-11	Upper cleaning door	1
33	YW69061000100	Butterfly bolt M6x10	6
32	SVM-1000U-D-ALL	Bottom plate welding	1
31	YW04010100000	Oil nozzle M10x1	1
30	SVM-1000U-12	Material cleaning flashboard	1
29	YW30320060000	Sieve 3020 hole dia. 60	1
28	YW30450300000	Weibull belt wheel SPA450-3	1
27	SVM-1000U-15	Seal connecting bearing UCF212	1
26	YMI0204-000800	Motor M100 (PBT) E130000000 (K)	1
25	YW30201200000	Tappr sleeve 2012-28	1
24	YW30112300000	Weibull belt wheel SPA118-3	1
23	YW90125500300	V-type belt SPA-2500	3
22	SVM-1000U-04	Shield	1
21	BW09000630040	Sight glass on six hole encircled	2
20	YR40001200000	Acrylic six hole SHD-12-A-26	2
19	SVM-1000U-07	Mat. discharge port flashboard	1
18	SVM-160U-E-03	Electrical mount plate	1 Borrow
17	SVM-160U-E-02	Control box cover	1 Borrow
16	SVM-1000U-E-01	Control box body	1
15	YR40083500000	Star handle B type MB-35	2
14	SVM-1000U-18	Motor fixed screw	2
13	SVM-1000U-09	Motor fixed base pin	2
12	SVM-1000U-08	Motor base plate	1
11	SVM-1000U-C-ALL	Mixing assembly	1
10	SVM-1000U-01	Sleeve	1
9	YW64002001100	Cap nut M20	6
8	SVM-1000U-03	Screw washer	12
7	YW61202000000	Hex. nut M20	18
6	SVM-1000U-02	Screw	3
5	SVM-1000U-05	2" suction pipe	1
4	YR20680600000	Framework 62x35x8	1
3	YW09332000000	Tapered roller bearing HR33206J	1
2	SVM-1000U-B-ALL	Hopper cover welding	1
1	SVM-1000U-A-ALL	Hopper body welding	1



No	Material number	Name	Mat	Num	Remarks
Title SVM-1000U-ALL					
Drawing no. SD-120H-A-01					
Assembly drawing					
Ver.	0	Draw			
App by		Desi			
Date	20201015	Check			
Before Mod.	After Mod.	Modified by	Date	App	
Mark Before Mod. After Mod. Modified by Date App					
Scale 1:35					
Mat.					
Surface req					
The first angle projection					



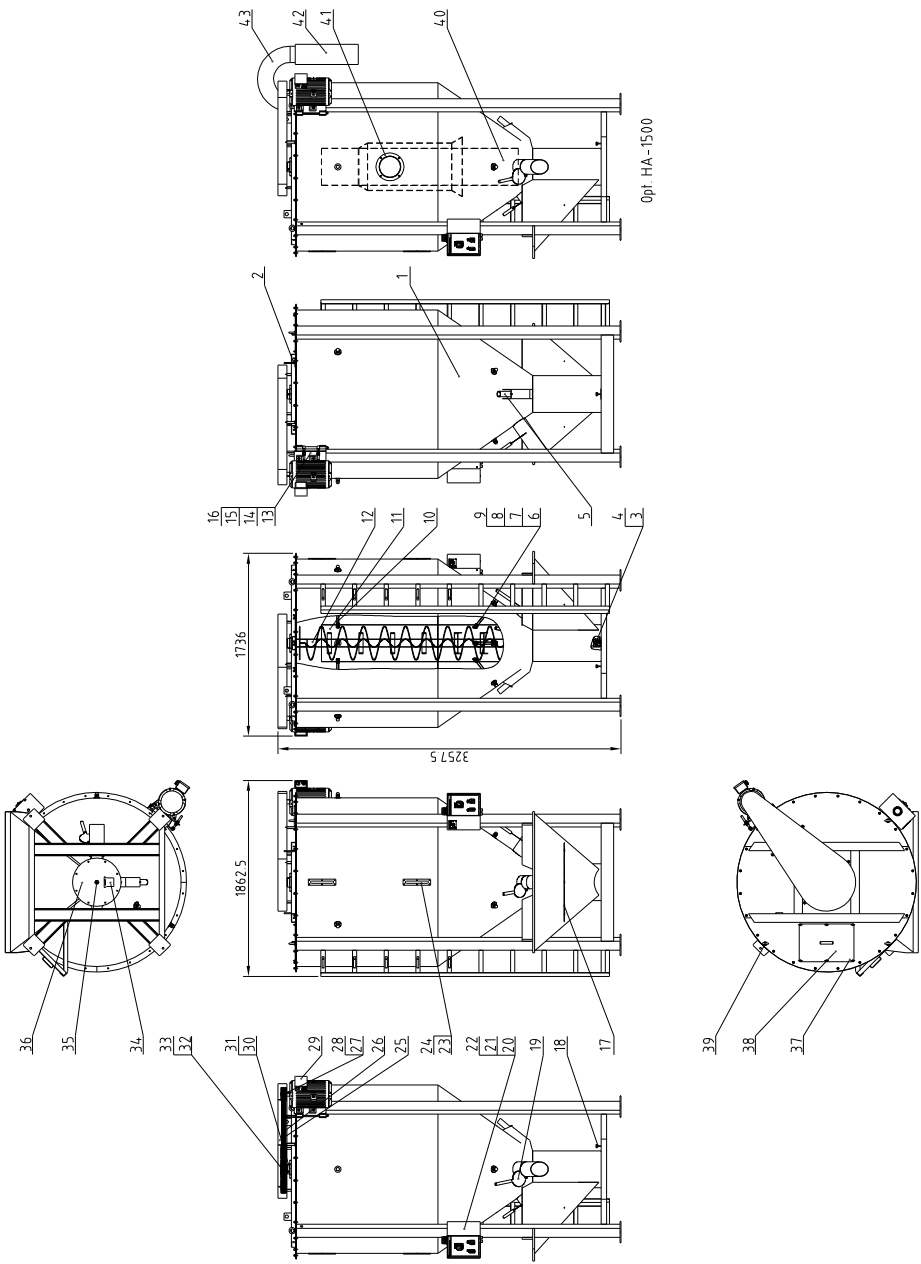
46	YW09001600000	Hooping ring screw M16	4	Opl/Borrow
45	SVM-20000-E-03	Hopper cover welding	1	Opl
44	SVM-10000-F-03	Air outlet pipe	1	
43	BP8232190014,4	Filter bag	1	Opl
42	SVM-20000-E-02	Air inlet flange	1	Opl
41	SVM-20000-E-01	Heating sleeve	1	Opl
40	SVM-20000-E-04	Hopper welding	1	Opl
39	SVM-10000-19	Mel discharge port flashboard	1	Borrow
38	SVM-10000-A-11	Filter screen	1	
37	SVM-10000-16	Star screw sleeve	1	Borrow
36	SVM-20000-13	Upper cleaning door	1	
35	YW69061000100	Butterfly bolt Mx10	6	
34	SVM-20000-D-ALL	Borlon plate welding	1	
33	YW04010100000	Oil nozzle MW0x1	2	
32	SVM-20000-08	Material cleaning flashboard	1	
31	YW30302200000	Taper sleeve 3020-65	1	
30	YW30450300000	We Du Te bell wheel SPA450-3	1	
29	YR20245800000	Filled wool	0.01	
28	YW11021500800	Sear connecting bearing UCT275	1	
27	YM10205500400	Motor WSM-10-PT 032000000	1	
26	YW30163800000	Belt wheel sleeve 1610-38	1	
25	YW30112300000	We Du Te bell wheel SPA118-3	1	
24	YR00280000600	V-type belt SPA-2800	3	
23	SVM-20000-04	Shield	1	
22	BW09000630040	Split glass iron six hole electrode	2	
21	YR40001200000	Acryl six hole SHD-12-A-26	2	
20	SVM-1600-E-03	Electrical mount plate	1	Borrow
19	SVM-1600-E-02	Control box cover	1	Borrow
18	SVM-10000-E-01	Control box body	1	Borrow
17	SVM-10000-07	Mel discharge port flashboard	1	Borrow
16	YR40083500000	Star handle B type M8x35	1	
15	SVM-10000-18	Motor fixed screw	2	Borrow
14	SVM-10000-09	Motor fixed base pin	2	Borrow
13	SVM-20000-08	Motor base plate	1	
12	SVM-20000-C-ALL	Mixing assembly	1	
11	SVM-20000-01	Sleeve	1	
10	SVM-20000-02	Screw 1	3	
9	YW64002001100	Cap nut M20	6	
8	SVM-10000-03	Screw washer	12	Borrow
7	YW61202000000	Hex nut M20	12	
6	SVM-20000-03	Screw 2	3	
5	SVM-10000-05	2" suction pipe	1	Borrow
4	YR20680600000	Framework 62x35x8	1	
3	YW09332000000	Tapered roller bearing HR33206	1	
2	SVM-20000-B-ALL	Hopper cover welding	1	
1	SVM-20000-A-ALL	Hopper body welding	1	



No	Material number	Name	Mat	Num	Remarks
Drawing no. SVM-2000U-ALL					
Title SVM-2000U Assembly drawing					
Ver.	0	Draw			
App by		Desi			
Date	20201030	Check			
Before Mod	After Mod	Modified by	Date	App	
Mark					
Scale 1:4.0			Mat.	1.4.0	Num 1
Surface req			Mat.		
The first angle projection					



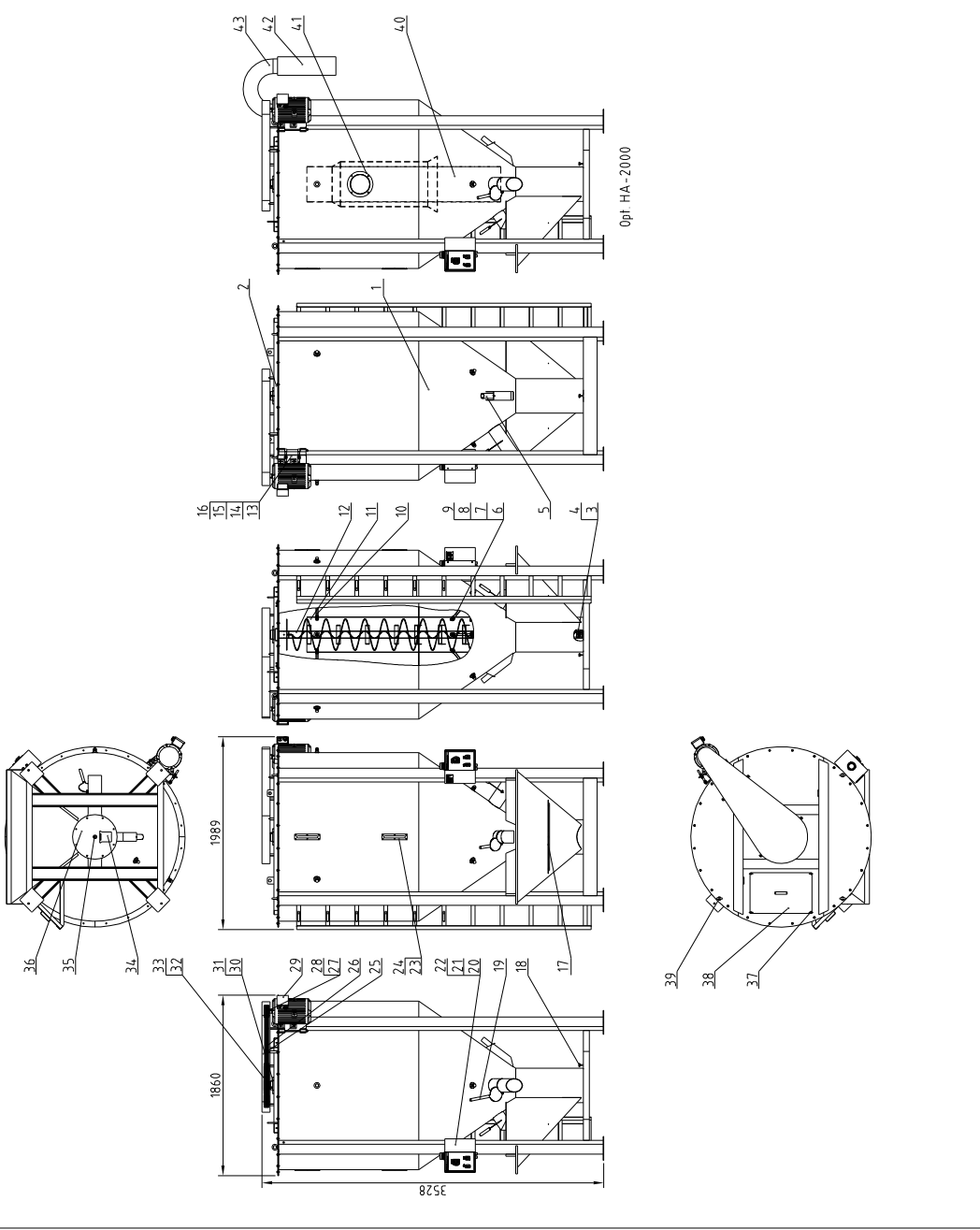
4.3	SVM-1000U-F-03	Air outlet pipe	1	Opt./Borrow
4.2	BP8232190014.4	Filter bag	1	Opt.
4.1	SVM-3000U-D-02	Air inlet flange	1	Opt.
4.0	SVM-3000U-D-01	Heating sleeve	1	Opt.
3.9	YW090001600000	Heating ring screw M16	4	
3.8	SVM-3000U-07	Upper cleaning door	1	
3.7	YW690061000100	Battery bolt M6x10	6	
3.6	SVM-2000U-D-ALL	Bottom plate welding	1	Borrow
3.5	YW040101000000	On nozzle M16x1	1	
3.4	SVM-2000U-08	Material cleaning flashback	1	Borrow
3.3	YW303022000000	Upper sleeve 3020-65	1	
3.2	YW304503000000	We Du Te belt wheel SPA450-3	1	
3.1	YR202458000000	Filled wood	1	
3.0	BL34200004120	Seal connecting bearing UCF5275	1	
2.9	YM1020550400	Motor SVM-100-AP-B1-E32000000	1	
2.8	YW301638000000	Belt wheel sleeve 1610-38	1	
2.7	YW301123000000	We Du Te belt wheel SPA118-3	1	
2.6	SVM-3000U-04	V-type belt SPA-3000	3	
2.5	SVM-3000U-04	Shield	1	
2.4	BW09000630040	Sight glass on sw table electrode plate	2	
2.3	YR400012000000	Acryl six hole SH6-12-A-26	2	
2.2	SVM-1600U-E-03	Electrical mount plate	1	Borrow
2.1	SVM-1600U-E-02	Control box cover	1	Borrow
2.0	SVM-1000U-E-01	Control box body	1	Borrow
1.9	SVM-1000U-07	Mel discharge port flashback	1	Borrow
1.8	YR400835000000	Star handle B type Mb-35	1	
1.7	SVM-3000U-05	Filter screen	1	
1.6	SVM-1000U-16	Star screw sleeve	1	Borrow
1.5	SVM-1000U-18	Motor fixed screw	2	Borrow
1.4	SVM-2000U-09	Motor fixed base pin	2	Borrow
1.3	SVM-2000U-08	Motor base plate	1	Borrow
1.2	SVM-3000U-C-ALL	Mixing assembly	1	
1.1	SVM-3000U-01	Sleeve	1	
1.0	SVM-3000U-02	Screw 1	3	
9	YW64002001100	Cap nut M20	6	
8	SVM-1000U-03	Screw washer	12	Borrow
7	YW612020000000	Hex nut M20	18	
6	SVM-3000U-03	Screw 2	3	
5	SVM-1000U-05	2" suction pipe	1	Borrow
4	YR206806000000	Framework 62-35x8	1	
3	YW093320000000	Lagored roller bearing HR33206	1	
2	SVM-3000U-B-ALL	Hopper cover welding	1	
1	SVM-3000U-A-ALL	Hopper body welding	1	




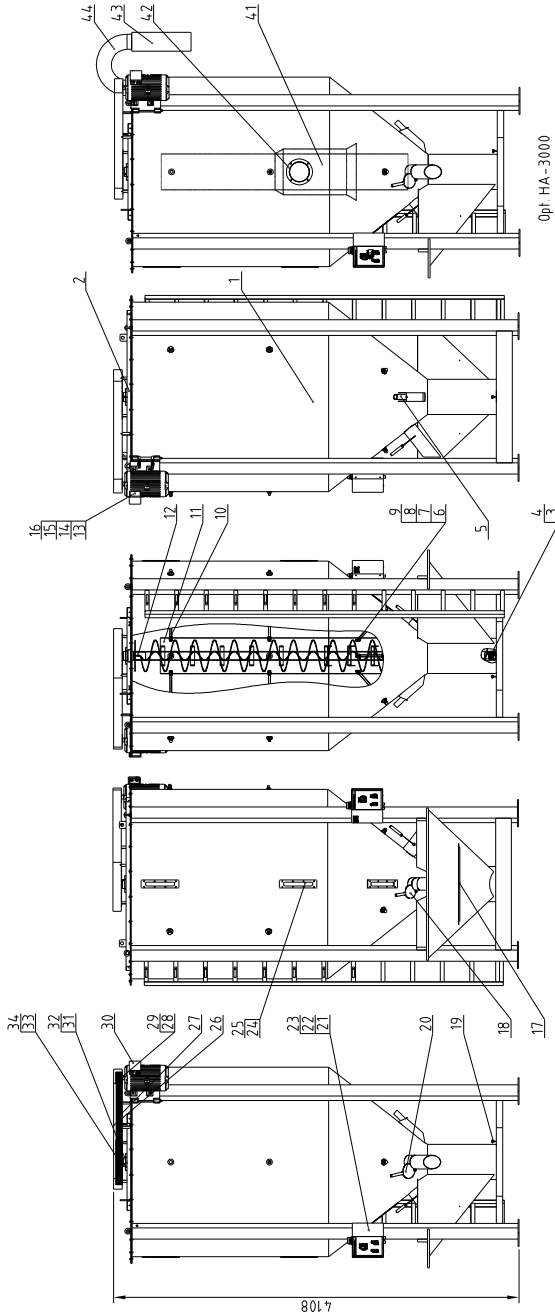
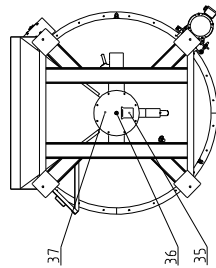
No.	Material number	Name	Mat	Num	Remarks
SVM-3000U		Assembly drawing	Scale	1:4.5	Num
Title		Drawing no.		SVM-3000U-ALL	
Ver.	0	App by			
Draw		Check			
Desi		App			
Before Mod.	After Mod.	Modified by	Date		
Mark	Before Mod.	After Mod.	Modified by	Date	
Surface req		The first angle projection			



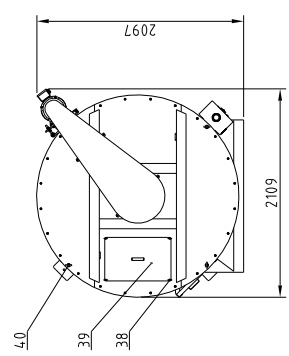
4.3	SVM-1000U-F-03	Air outlet pipe	1	Opt/Borrow
4.2	BP8232190014.4	Filter bag	1	Opt.
4.1	SVM-4.000U-E-02	Air inlet flange	1	Opt.
4.0	SVM-4.000U-E-01	Healing sleeve	1	Opt.
3.9	YW090016000000	Healing ring screw M16	4	
3.8	SVM-4.000U-06	Upper cleaning door	1	
3.7	YW69061000100	Butterfly bolt M6x10	4	
3.6	SVM-4.000U-D-ALL	Boltion plate welding	1	
3.5	YW040101000000	Or nozzle M16x1	1	
3.4	SVM-4.000U-07	Material cleaning flashboard	1	
3.3	YW303022000000	Taper sleeve 3020-65	1	
3.2	YW304503000000	We Du Te belt SPA450-3	1	
3.1	YR202458000000	Filled wool	1	
3.0	BL34200004120	Seal connecting bearing UCCZ15	1	
2.9	YM10205500400	Motor SVM-02A-0111E3000000	1	
2.8	YW302038000000	Belt wheel sleeve 2017-38	1	
2.7	YW301123000000	We Du Te belt SPA118-3	1	
2.6	YR00315000100	V-type belt SPA-3150	3	
2.5	SVM-4.000U-04	Shield	1	
2.4	BW09000630040	Sign glass cen su hole electrode plate	2	
2.3	YR400012000000	Acryl six hole SHD-12-A-26	2	
2.2	SVM-1600U-E-03	Electrical mount plate	1	Borrow
2.1	SVM-1600U-E-02	Control box cover	1	Borrow
2.0	SVM-1000U-E-01	Control box body	1	Borrow
1.9	SVM-1000U-07	Mit. discharge port flashboard	1	Borrow
1.8	YR400835000000	Star handle B type M6x35	1	
1.7	SVM-4.000U-08	Filter screen	1	
1.6	SVM-1000U-16	Star screw sleeve	1	Borrow
1.5	SVM-1000U-18	Motor fixed screw	2	Borrow
1.4	SVM-2000U-09	Motor fixed base pin	2	Borrow
1.3	SVM-4.000U-05	Motor base plate	1	
1.2	SVM-4.000U-C-ALL	Mixing assembly	1	
1.1	SVM-4.000U-01	Sleeve	1	
1.0	SVM-4.000U-02	Screw 1	3	
9	YW64002001100	Cap nut M20	6	
8	SVM-1000U-03	Screw washer	12	Borrow
7	YW612020000000	Hex nut M20	18	
6	SVM-4.000U-03	Screw 2	3	
5	SVM-1000U-05	2" suction pipe	1	Borrow
4	YR206806000000	Framework 62-35x8	1	
3	YW093320000000	Tapered roller bearing HR33206	1	
2	SVM-4.000U-B-ALL	Hopper cover welding	1	
1	SVM-4.000U-A-ALL	Hopper body welding	1	



No.	Material number	Name	Mat.	Num.	Remarks
SVM-4.000U		Assembly drawing	Scale	1:4.8	Num. 1
Title		SVM-4.000U-ALL		Mat.	
Ver.		0			
Draw					
Desi.					
Check					
App.					
Mark	Before Mod.	After Mod.	Modified by	Date	
App by					
Date					
 信易電熱機械股份有限公司 Shini Plastics Technologies, Inc.					
Surface req					
The first angle projection					



Opl HA-3000



44	SVM-1000U-F-03	Air outlet pipe	1	Opl/Borrow
43	BP8232190014.4	Filter bag	1	Opl
42	SVM-6000U-F-02	Air inlet flange	1	Opl
41	SVM-6000U-F-01	Heating sleeve	1	Opl
40	YW090016000000	Hanging ring screw M16	4	
39	SVM-6000U-07	Upper cleaning door	1	
38	YW69061000100	Butterfly ball Mx=10	4	
37	SVM-6000U-D-ALL	Bottom plate welding	1	
36	YW040101000000	Oil nozzle M16x1	1	
35	SVM-4000U-07	Material cleaning flushboard	1	Borrow
34		Taper sleeve 3020-70	1	
33		We Du Te belt wheel SPA450-4	1	
32	YR202458000000	Felted wheel	0.05	
31	YW110215008000	Seal connecting bearing LUCE215	1	
30	YMI02075004.00	Mixing ring (M16x1.5) 800mm	1	
29	YW302038000000	Belt wheel sleeve 2012-38	1	
28		We Du Te belt wheel SPA118-4	1	
27		V-type belt SPA-3350	4	
26	SVM-6000U-04	Shield	1	
25	SS-1T-07	Sight glass pressing plate	3	Borrow
24	BR90100800010	Sight glass plate SS-1T-08	3	
23	SVM-160U-E-03	Electrical mount plate	1	Borrow
22	SVM-160U-E-02	Control box cover	1	Borrow
21	SVM-6000U-E-01	Control box body	1	
20	SVM-1000U-07	Mal discharge port flushboard	1	Borrow
19	YR400835000000	Star handle B type M8x35	1	
18	SVM-1000U-19	Mal discharge port flushboard	1	Borrow
17	SVM-6000U-08	Filter screen	1	Borrow
16	SVM-1000U-16	Star screw sleeve	1	
15	BH050110054.0	Star screw	2	
14	SVM-1000U-09	Motor fixed base pin	2	Borrow
13	SVM-6000U-05	Motor base plate	1	
12	SVM-6000U-C-ALL	Mixing assembly	1	
11	SVM-6000U-01	Sleeve	1	
10	SVM-6000U-02	Screw 1	8	
9	YW64002001100	Cap nut M20	12	
8	SVM-1000U-03	Screw washer	24	Borrow
7	YW61202000000	Hex nut M20	36	
6	SVM-6000U-03	Screw 2	4	
5	SVM-1000U-05	2" suction pipe	1	Borrow
4		Framework 12x4.0x1.0	1	
3		Tapered roller bearing HR33207	1	
2	SVM-6000U-B-ALL	Hopper cover welding	1	
1	SVM-6000U-A-ALL	Hopper body welding	1	

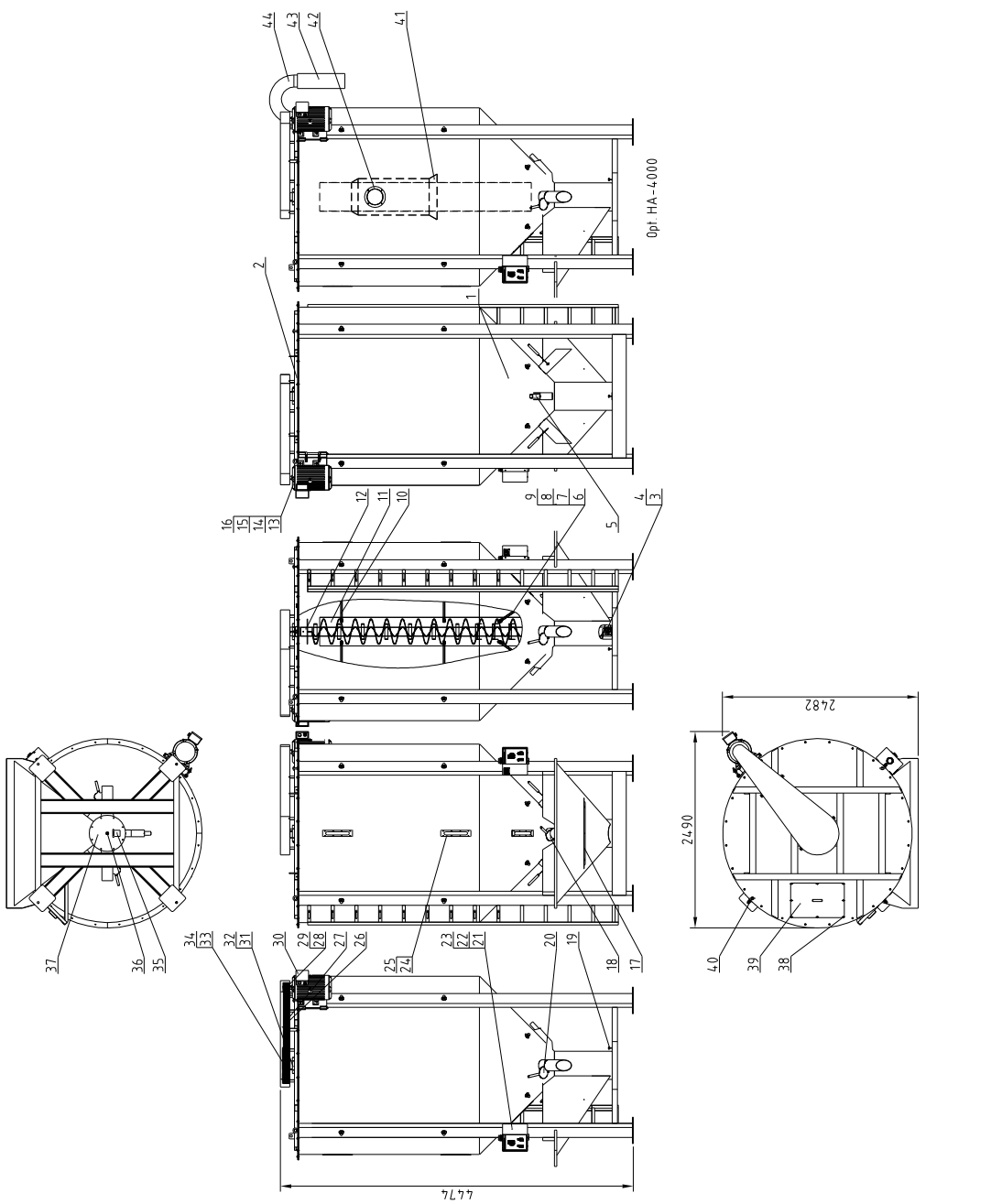
No.	Material number	Name	Mat.	Num.	Remarks
Title		SVM-6000U-ALL			
Drawing no.		SVM-6000U-ALL			
Assembly drawing					
Draw	Ver.	0	App.	by	Date
Desi.	App.		by		
Check	App.		by		
App.	App.		by		
Mark.	Before Mod.	After Mod.	Modified by	Date	

SHINI 信易電機機械股份有限公司
Shini Plastics Technologies, Inc.

Surface req
The first angle projection

44	SVM-10000U-F-03	Air outlet pipe	1	Opt/Borrow
43	BP8232190014.4	Filter bag	1	Opt
42	SVM-10000U-F-02	Air inlet flange	1	Opt
41	SVM-10000U-F-01	Heating sleeve	1	Opt
40	YW9001600000	Hanging ring screw GB/1825 M16	4	
39	SVM-10000U-07	Upper cleaning door	1	
38	YW69061000100	Butterfly ball M6*10	8	
37	SVM-10000U-D-ALL	Bottom plate welding	1	
36	YW044010100000	Oil nozzle M10*1	1	
35	SVM-10000U-08	Material cleaning flushboard	1	
34		Taper sleeve 3525-80	1	
33	YR2024-58000000	We Du Te belt wheel SPA45P-5	1	
32		Felted wool	0.05	
31		Seal connecting bearing UCCE218	1	
30	YM10160600100	Motor 三相异步电动机	1	
29	YW30204200200	Belt wheel sleeve 2012-4.2	1	
28		We Du Te belt wheel SPA118-5	1	
27		V-type belt SPA-3750	5	
26	SVM-10000U-04	Shield	1	
25	SS-1T-07	Sight glass pressing plate	3	Borrow
24	BR90100800010	Sight glass plate SS-1T-08	3	Borrow
23	SVM-160U-E-03	Electrical mount plate	1	Borrow
22	SVM-160U-E-02	Control box cover	1	Borrow
21	SVM-10000U-E-01	Control box body	1	Borrow
20	SVM-1000U-07	Mat discharge port flushboard	2	Borrow
19	YR40083500000	Star handle B type M6*35	1	
18	SVM-3000U-06	Mat discharge port flushboard	1	Borrow
17	SVM-10000U-12	Filter screen	1	
16	SVM-10000U-10	Star screw sleeve	1	
15	BH050110054.0	Star screw	2	
14	SVM-10000U-06	Motor fixed base pin	2	
13	SVM-10000U-05	Motor base plate	1	
12	SVM-10000U-C-ALL	Mixing assembly	1	
11	SVM-10000U-01	Sleeve	1	
10	SVM-10000U-02	Screw 1	8	
9	YW644002001100	Cap nut M20	12	
8	SVM-1000U-03	Screw washer	24	Borrow
7	YW61200200000	Hex nut M20	36	
6	SVM-10000U-03	Screw 2	4	
5	SVM-1000U-05	2" suction pipe	1	Borrow
4		Framework 80-45*12	1	
3		Tapered roller bearing HR33208	1	
2	SVM-10000U-B-ALL	Hopper cover welding	1	
1	SVM-10000U-A-ALL	Hopper body welding	1	

No	Material number	Name	Mat	Num	Remarks
	SVM-10000U	Assembly drawing	Scale	1:55	Num 1
			Mat.		
			Surface req.		
			The first angle projection		



Title	SVM-10000U	Drawing no.	SVM-10000U-ALL
Ver.		App by	
Draw		Check	
Desi		App	
Before Mod.	After Mod.	Modified by	Date
Mark			

