

No.	Material number	Name	Mat.	Num.	Remarks
16	BW09202000000	Square plate SEHD-100-A-09(ver.0)	SPCC1.0	1	
15	BE85018000150	Temp. protector 90 degree centrifugal L (ver.0)	Assembly	1	
14	BHT70120300150	Pipe heater SEHD(SHD)-12-Z-2RV/294-00V	Assembly	1	
13	BW72120100610	Heat-resistant insulated pipe SEHD-12-ALL-01	Assembly	1	
12	YE9054001300	hemocycle S-4R-4R-150 (800-000-4-2 pipe plate)	Assembly	1	
11	YMA0151204100	Alu shell blower 151021300R-15V/50/402/100/25W	Assembly	1	
10	BL0105000720	Short control box SEHD-50-ALL-02(ver.B)	Welding parts	1	
9	YW06125040000	Rear cover knob SEHD-12-A-15	SUS201	1	
8	YR10001200700	Exhaust pipe S10-12-A-11 (painted/has mould)	Rubber	1	
7	BA10001200110	Exhaust pipe S10-12-A-11 (painted/has mould)	ZL101	1	
6	BY10012001350	Standard base assembly HB-12(ver.B)	Assembly	1	
5	BW09000630040	Plated sight glass iron sheet six hole	SPCC	1	
4	YR40000600000	Sight glass fastener six hole has mould/90C-A-5	Rubber	1	
3	YR40001200000	hexy six hole S10-12-A-26 mat. PC (has mould)	PC	1	
2	YW00001200000	Handle hook SEHD-12-A-14	SPCC3.0	1	
1	YW00121000000	Handle SEHD-25-A-08(ver.0)	Assembly	1	

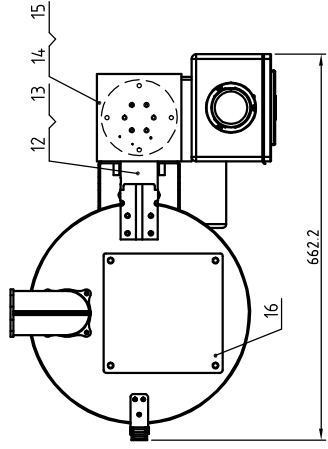
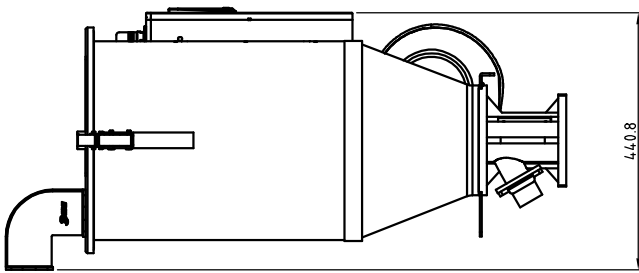
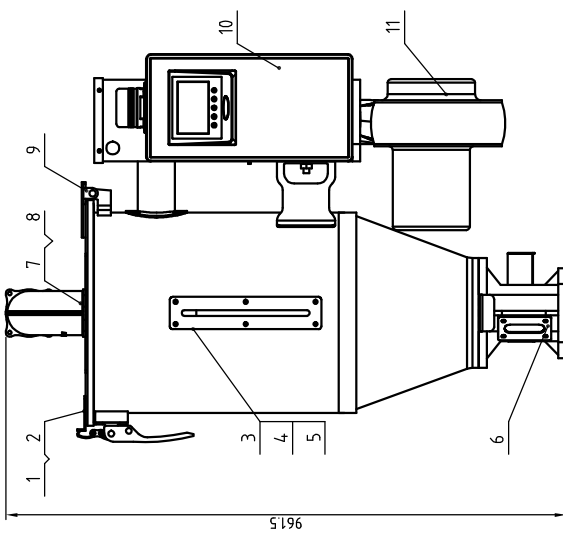
Mark	Before Mod.	After Mod.	Mod. by	Date	Check	App.	Ver.	Date

Title		Drawing no.	
SEHD-12		SD-40H-ALL	
Energy-efficient Hopper Dryer			
Scale 1:8		Mat. No. 1	
Surface req.		Mat.	
Mat. No.		Mat.	

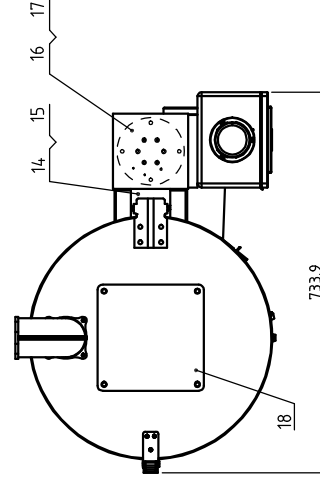
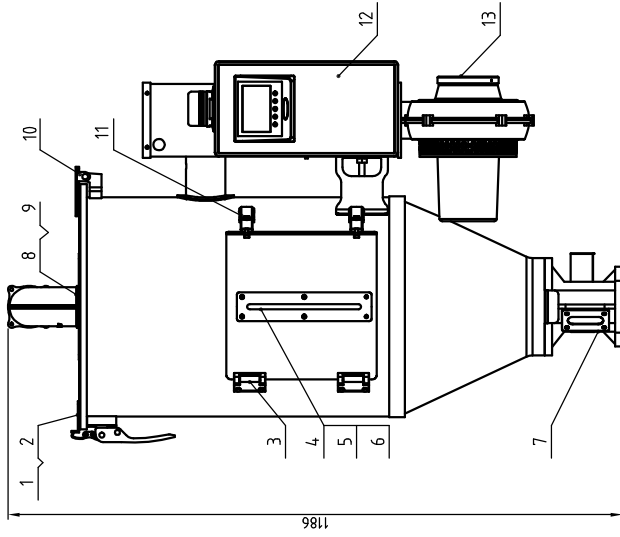
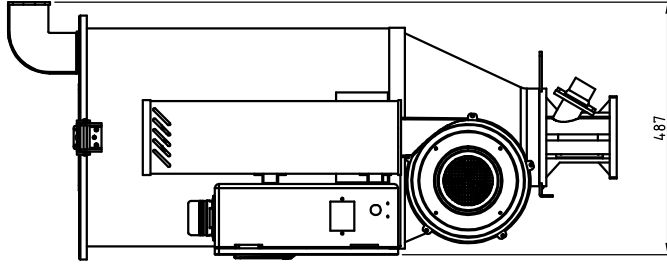
**SHINI** 信昌電熱機械股份有限公司  
Shini Plastics Technologies, Inc.



No.	Material number	Name	Mat.	Num.	Remarks
16	BW09202000000	Square plate SEHD-100-A-09(ver.0)	SPCC1.0	1	
15	BE85018000150	Temp. protector 180 degree centigrade L 100 (has metal)	Assembly	1	
14	BH70250302150	Pipe heater SEHD-25-B-03 3KW/230V-400V	Assembly	1	
13	BW72501006100	Heat-resistant insulated pipe SEHD-25-ALL-01	Assembly	1	
12	YE90055501300	Hex-nut 5-55x1.6x1.6x0.8-A-21 (type 4 part)	Assembly	1	
11	BM40002500350	Blower 25*3630/460V/50/60HZ(white)	Assembly	1	
10	BL01005000720	Short control box SEHD-50-ALL-02(ver.B)	Welding parts	1	
9	YW061250400000	Rear cover knob SHD-12/50(has mould)	Q235A	1	
8	YR10500900300	Exhaust pipe restrainer S00-50-A-10 (ver.0)(has metal)	Rubber	1	
7	BA10500707010	Exhaust pipe SEHD-50-A-17 (painted)(has mould)	AC4D	1	
6	BY10050003150	S standard base assembly HB-50(ver.B)	Assembly	1	
5	BW090006300400	Plated eight glass iron sheet six hole	SPCC	1	
4	YR400006000000	Sight glass fastener six hole (has mould)9-12-A-5	Rubber	1	
3	YR400012000000	Acrylic six hole SHD-12-A-26 mat. PC (has mould)	PC	1	
2	YW000012000000	Handle hook SEHD-12-A-14	SPCC3.0	1	
1	YW001210000000	Handle SEHD-25-A-08(ver.0)	Assembly	1	

Mark	Before Mod.	After Mod.	Mod. by	Date	App.	Check	Desi.	Dra.	Ver.	Title	SEHD-25	Drawing no.	SD-40H-ALL	Scale	1:12	No.	1	Remarks
										Energy-efficient Hopper Dryer								Surface req.
																		Mat. No





No.	Material number	Name	Unit	Remarks
18	BW09202000000	Square plate SEHD-100-A-09(ver.0)	SPCC1.0	1
17	BE85018000150	Temp. protector 180 degree centigrade L100(mm) (ver.1)	Assembly	1
16	BHT0504200010	Pipe heater SEHD-50-B-02 3.9KW/230V-400V	Assembly	1
15	BW72010000610	Heat-resist int insulated pipe SEHD-50-ALL-01	Assembly	1
14	YE90056500700	Heat-resist int insulated pipe SEHD-50-ALL-07(ver.1)	Assembly	1
13	BM4.0003000250	Blower 3*380/460V/50/60Hz(white)	Assembly	1
12	BL1005000720	Start control box SEHD-50-ALL-02(ver.B)	Welding parts	1
11	YW09005800000	Buckle SDP-058(SUS304)	SUS304	2
10	YW06125040000	Rear cover knob SHD-12/50(has mould)	Q235A	1
9	YR10500900300	Exhaust pipe (astm) 50P-50-A-10 (ver.0) (has the mold)	Rubber	1
8	BA10500707010	Exhaust pipe SEHD-50-A-07 (paint red)(has mould)	ACLD	1
7	BY10050003150	Standard base assembly 18-50	Assembly	1
6	BW09000630040	Plated sight glass iron sheet six hole	SPCC	1
5	YR4.00006000000	Sight glass retainer six hole (has mould) 8P-8-25	Rubber	1
4	YR4.00012000000	Acryl six hole SHD-12-A-26 mat. PC (has mould)	PC	1
3	BH10000012510	Large hinge SHD-20-A-11 (processed)(ver.0)	Alu. alloy	2
2	YW000012000000	Handle hook SEHD-12-A-14	SPCC3.0	1
1	YW00121000000	Handle SEHD-25-A-08(ver.0)	Assembly	1

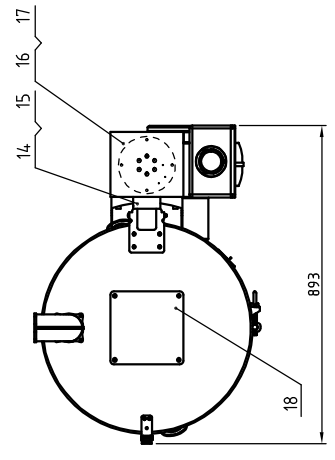
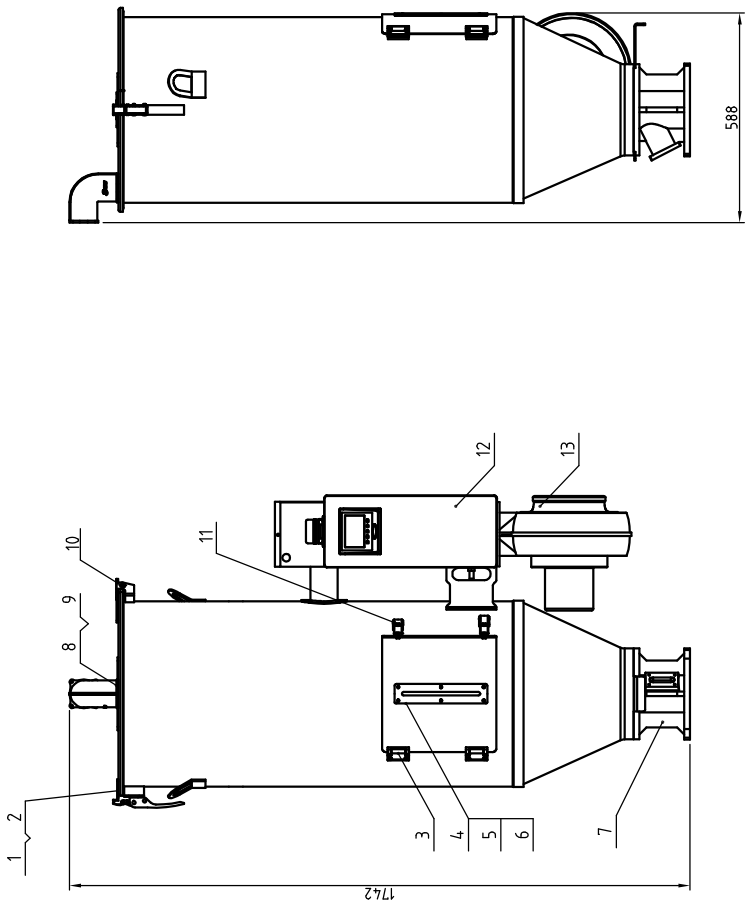
Mark	Before Mod.	After Mod.	Mod. by	Date	App.	Check	Desi.	Dra.	Ver.	Title
										SEHD-50 Energy-efficient Hopper Dryer

Scale	1:9	No.	1
Surface req.		Mat.	
Mat. No.		Mat.	





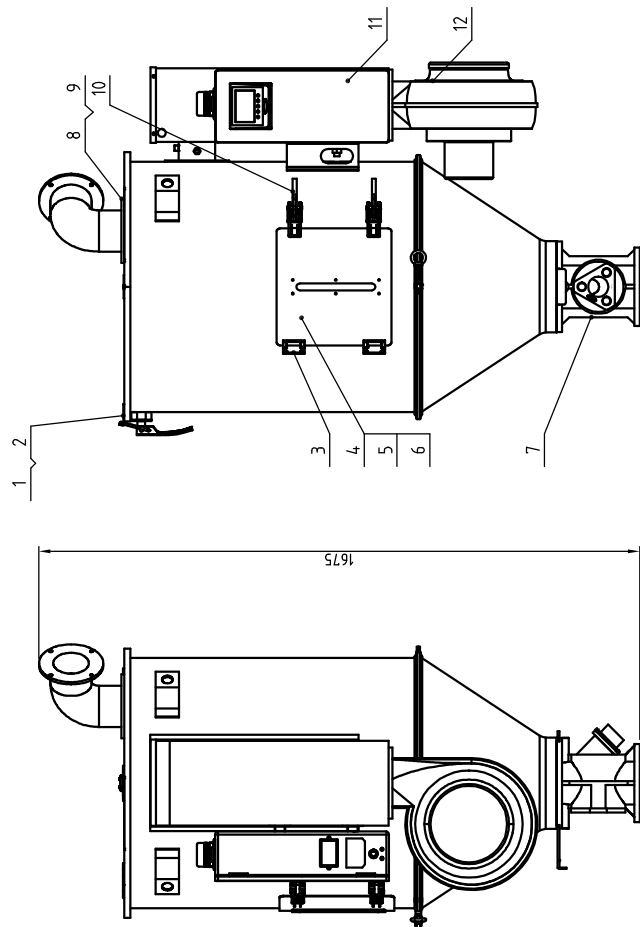




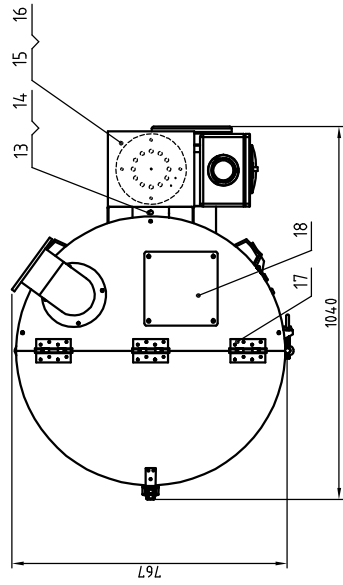
18	BW09202000000	Square plate SEHD-100-A-09(ver.0)(has mould)	SPCC10	1	
17	BE85018000150	Temp. protector 180 degree centigrade 1.50mm(ver.1)	Assembly	1	
16	BH70015000150	Temp. heater SEHD-50-A-16(ver.0)-40V/50V/60V/70V	Assembly	1	
15	BW72010000610	Heat-resistant insulated pipe SEHD-100-ALL-01	Assembly	1	
14	YE90054001300	Thermocouple SEHD-100-A-12(pipe ver.0)	Assembly	1	
13	BM40004000150	Blower C34280/4.60V/50/60HZ(white)	Assembly	1	
12	BL01050000120	Long control bar SEHD-500-A-28(ver.0)	Welding parts	1	
11	YW09005800000	Buckle SDP-0598(SUS304)	SUS304	2	
10	YW06102000000	Pear cover knob SEHD-500-A-10(ver.0)(has mould)	Q235A	1	
9	YR10500900300	Exhaust pipe SEHD-50-A-11(ver.0)(has mould)	Rubber	1	
8	BA10500707010	Exhaust pipe SEHD-50-A-11 (painted)(oil has mould)	AL4D	1	
7	BY10200000050	Standard base assembly HB-200	Assembly	1	
6	BW09000630040	Plated sight glass iron sheet six hole	SPCC	1	
5	YR40000600000	Sight glass fastener six hole (has mould)(P.0-25)	Rubber	1	
4	YR40001200000	Acryl six hole SHD-12-A-26 mat. PC (has mould)	PC	1	
3	BH1000012510	Large hinge SEHD-300-A-11 (processed)(ver.0)	Alu. alloy	2	
2	YW00001200000	Handle hook SEHD-12-A-1L	SPCC30	1	
1	YW00121000000	Handle SEHD-25-A-08(ver.0)	Assembly	1	

Title		SEHD-150		Drawing no.		SEHD-150-ALL	
Energy-efficient Hopper Dryer							
Scale	1:13	No.	1	Mat.		Surface req.	
Material		Mat.		Mat.		Mat. No.	
Mark	Before Mod.	After Mod.	Mod. by	Date	Ver.	App. by	Date





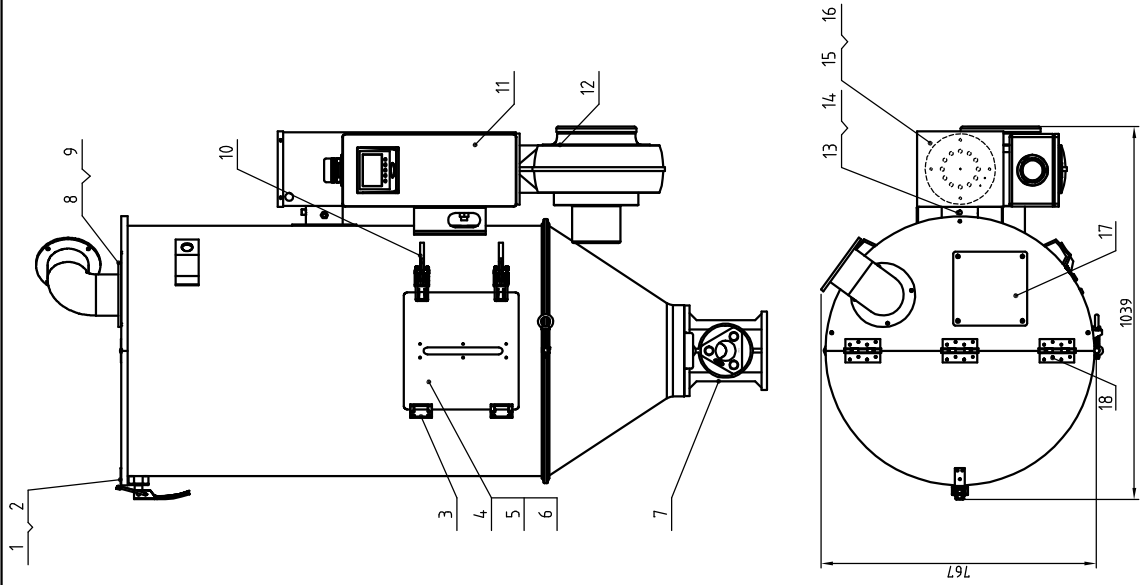
No.	Material number	Name	Mat.	Num.	Remarks
18	BW09202000000	Square plate SEHD-100-A-09(Ver.0) (this mould)	SPCC1.0	1	
17	YW06000400000	Stainless steel hinge 4 inch (SG-232L-03-SJZ)	Assembly	3	
16	BE850180000150	Temp. protector 100 degree centigrade (100 temperature)	Assembly	1	
15	BH70020001350	Pipe handle SEHD-200-B-12.8 (KW/3-1.40V)	Assembly	1	
14	BW72201200610	Heat resistant insulating pipe SEHD-200-A-10(Ver.0) (heat on 152mm)	Assembly	1	
13	YE90054001300	Hexametal 5x44.5 (M8x1.5) (SEHD-100-A-12 pipe w/A)	Assembly	1	
12	BM40005000150	Blower 53x380/460V/50/60HZ (white)	Assembly	1	
11	BL01050000120	Long control box SEHD-500-A-28(Ver.B)	Welding parts	1	
10	YW09043100100	Heavy adjustable hook 31 (nickel) (see plated)	SUS304	2	
9	YR10204000000	Linear pipe retainer 500 (30x4.5) (with rubber base mould)	Rubber	1	
8	BA10020000210	Exhaust pipe SEHD-200-A-10200 (nickel)	ACLD	1	
7	BY10100000050	Magnetic base assembly MB-100	Assembly	1	
6	BW09000630040	Plated sight glass iron sheet six hole	SPCC	1	
5	YR40000600000	Sight glass fastener six hole (this mould) (B-A-25)	Rubber	1	
3	BH10000012510	Large hinge SEHD-200-A-11 (processed) (Ver.0)	Alu alloy	2	
2	YW000001200000	Handle hook SEHD-12-A-14	SPCC3.0	1	
1	YW00121000000	Handle SEHD-25-A-08(Ver.0)	Assembly	1	



Mark	Before Mod.	After Mod.	Mod. by	Date	App.	Check	Desi.	Drawn	Ver.	Date	App.

Title		SEHD-200	
Drawing no.		SEHD-200 - ALL	
Scale		1:13	
Mat.		Mat.	
Surface req.		Surface req.	
Mat. No.		Mat. No.	

**SHINI**  
信新 塑膠 機械 股份有限公司  
SHINI Plastics Technologies, Inc.



No.	Material number	Name	Unit	Num.	Remarks
18	BW09202000000	Square plate SEHD-100-A-091ver.0(has mold)	SPCC1.0	1	
17	YW06000400000	Stainless steel hinge 4 inch (SG-232-03-SXZ)	Assembly	3	
16	BE85018000150	Temp. protector 100 degree centrifugal LUM (tempro-rc)	Assembly	1	
15	BH70030000650	Pipe heater SEHD-300-B-01 9.6KW/384.00V	Assembly	1	
14	BW72201200610	Heat-resistant insulated pipe SEHD-200-A-21ver.20 Pipe dia:110.52mm	Assembly	1	
13	YE90054001300	Thermowire 5x10L (with 5M) (SHD-700-A-12 pipe ver.A)	Assembly	1	
12	BM40005000150	Blower S*380/460V/50/60HZ (white)	Assembly	1	
11	BL01050000120	Long control box SEHD-500-A-28(ver.B)	Welding parts	1	
10	YW09043100100	Heavy adjustable hook 131 (lock) (zinc plated)	SUS304	2	
9	YR10204000000	Blower pipe retainer 200-200-4 (with rubber has mold)	Rubber	1	
8	BA10020000210	Exhaust pipe SEHD-200-A-10200/1000 (painted)	ACLD	1	
7	BY10100000050	Magnetic base assembly MB-100	Assembly	1	
6	BW09000630040	Plated sight glass iron sheet six hole	SPCC	1	
5	YR40000600000	Sight glass retainer six hole (has mold) (S-25)	Rubber	1	
4	YR40001200000	Acryl six hole SHD-12-A-26 mat. PC (has mold)	PC	1	
3	BH10000012510	Large hinge SEHD-200-A-11 (processed/ver.0)	Alu. alloy	2	
2	YW00001200000	Handle hook SEHD-12-A-14	SPCC3.0	1	
1	YW00121000000	Handle SEHD-25-A-08(ver.0)	Assembly	1	

Title SEHD-300  
Energy-efficient Hopper Dryer

Drawing no. SEHD-300-ALL

Scale 1:13

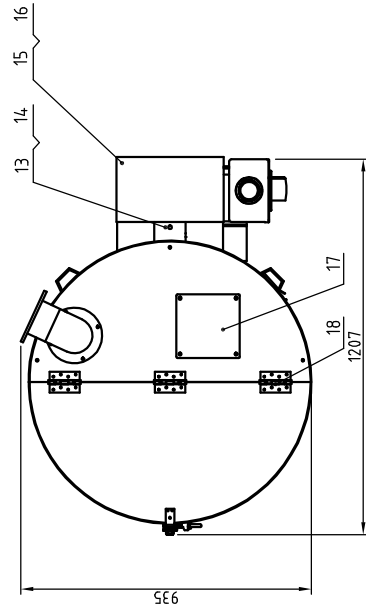
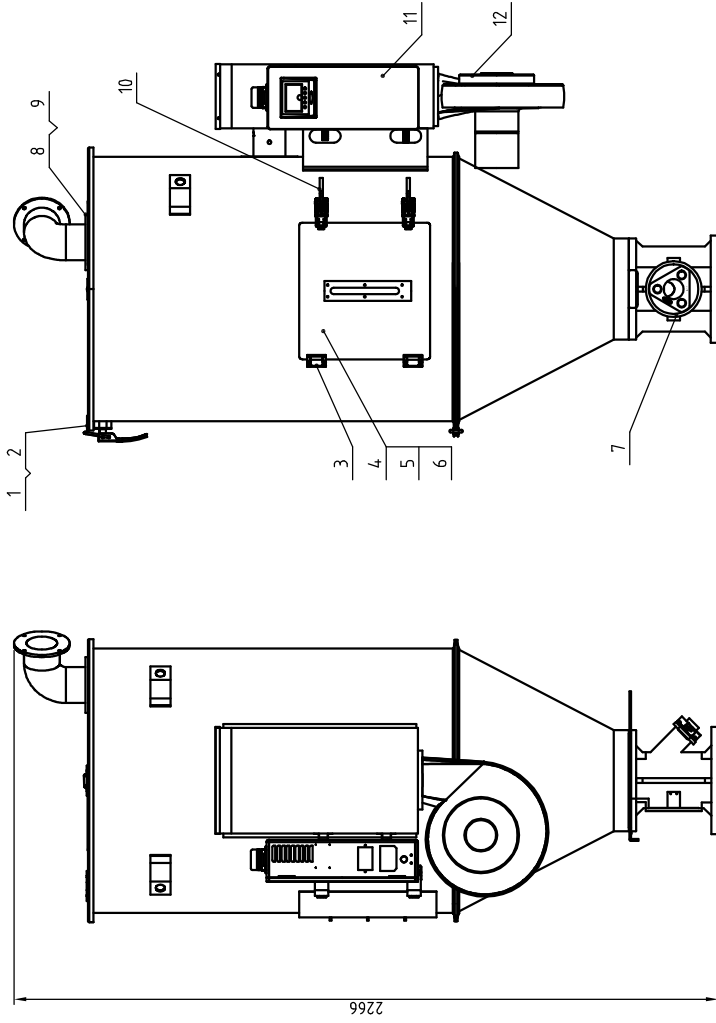
Surface req.

Mat. No.

Mark	Before Mod.	After Mod.	Mod. by	Date	App.	Check	Desi.	Desi.	App.	Ver.







No.	Material number	Name	Mat.	Num.	Remarks
18	BW09202000000	Square plate SEHD-100-A-09(Ver.B)(has mould)	SPCC10	1	
17	YW06000400000	Stainless steel hinge 4 inch (SG-232-03-S)(Z)	Assembly	3	
16	BE85018000250	Temp. protector 180 degree centrifugal (VH)(has no pin)	Assembly	1	
15	BH70601800250	Pipe heater SHD-600U-8K(W36230)/400V	Assembly	1	
14	BW72201200610	Heat resistant material pipe SP60-200-A-12(Ver.B)	Assembly	1	
13	YE90054001300	Thermocouple 5-141-098-15W (SHD-100-A-12 pipe ver.A)	Assembly	1	
12	BM30055000150	Power switch 200V/100V/50/60Hz/1W SH0074-55-A-AL	Assembly	1	
11	BL01050000120	Long control box SEHD-500-A-28(Ver.B)	Welding parts	1	
10	YW09043100100	Heavy adjustable hook 431 (locked) (line plated)	SUS304	2	
9	YR10204000000	Insulator pipe (has inner SPB-200-A-61(Ver.B)(has no mold))	Rubber	1	
8	BA10020000210	Exhaust pipe SPB-200-A-10200/1000 (painted)	ACLD	1	
7	BY10400000050	Magnetic base assembly MB-400	Assembly	1	
6	BW09000630040	Plated sight glass iron sheet six hole	SPCC	1	
5	YR40000600000	Sight glass venturer six hole (has mould)(90-10-A-25)	Rubber	1	
4	YR40001200000	Acryl six hole SHD-12-A-76 mat. PC (has mould)	PC	1	
3	BH10000012510	Large hinge SPB-200-A-11 (processed)(ver.0)	Alu. alloy	2	
2	YW00001200000	Handle hook SEHD-12-A-14	SPCC30	1	
1	YW00121000000	Handle hook SEHD-25-A-08(Ver.0)	Assembly	1	

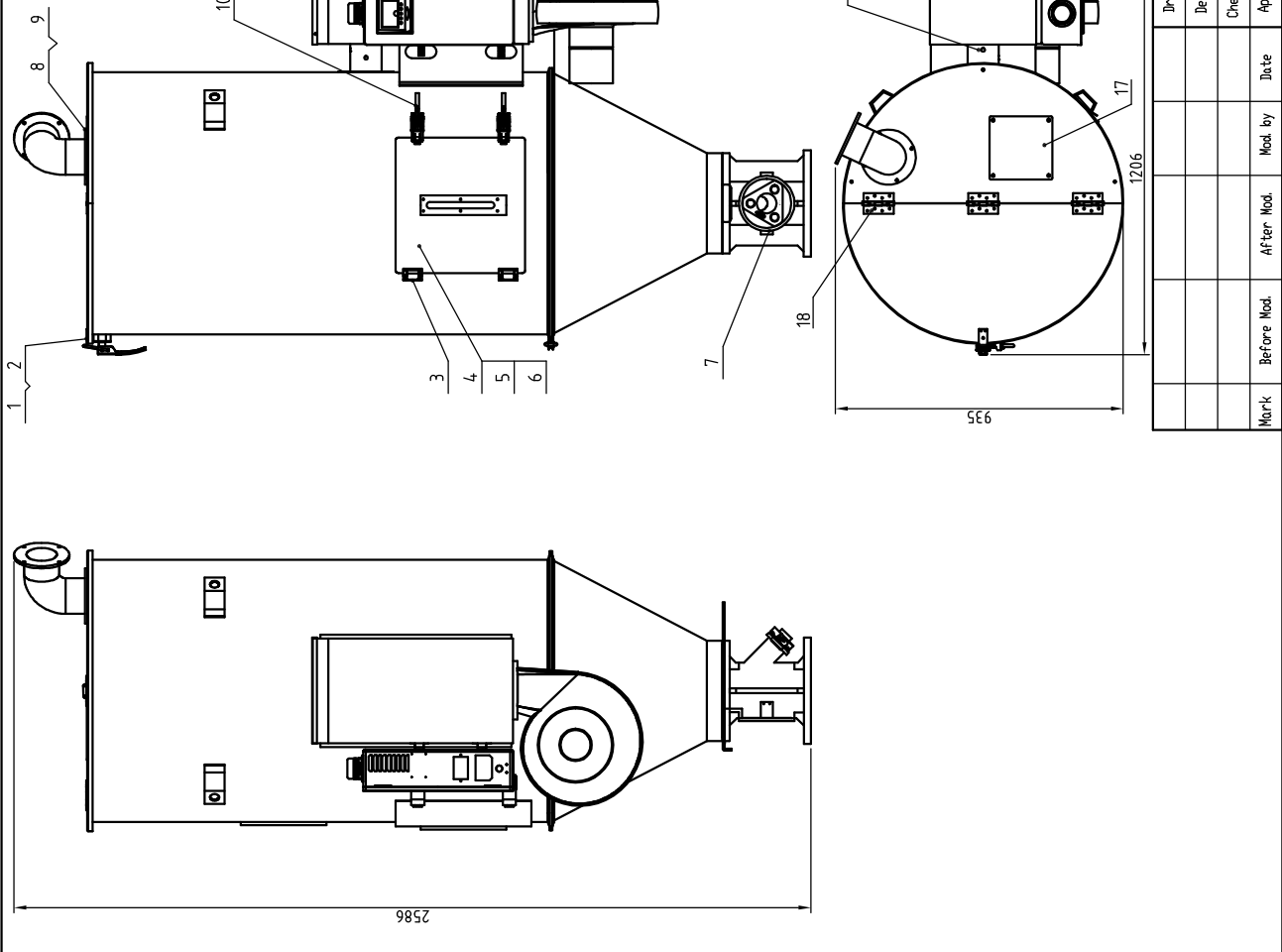
Mark	Before Mod.	After Mod.	Mod. by	Date	App.	Check	Desi.	Draw.	Ver.

Title		Drawing no.	
SEHD-400		SEHD-400-ALL	
Energy-efficient Hopper Dryer			
Scale		1:13	
Surface req.		Mat.	
Mat. No.		1	
Remarks			

**SHINI**  
 信新塑膠機械股份有限公司  
 SHINI Plastics Technologies, Inc.





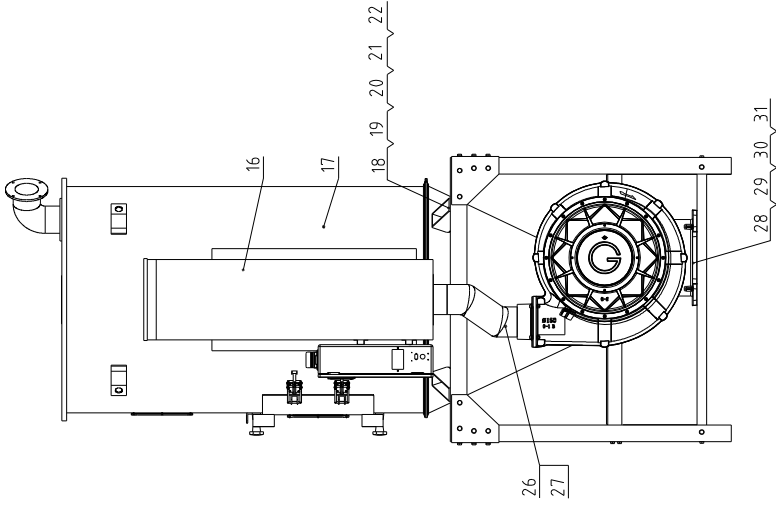
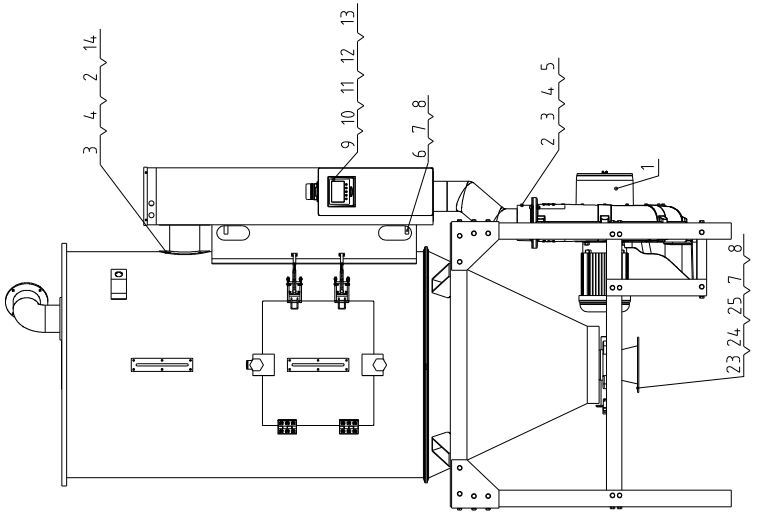
No.	Material number	Name	Unit	Remarks
18	BW09202000000	Square plate SEHD-100-A-09(1/8"thick model)	SPCC1.0	1
17	YW060000400000	Stainless steel hinge 4.1 inch (SG-2324-03-SJXZ)	Assembly	3
16	BE85018000250	Temp. protector III degree centigrade 1.1 (1/8"thermal pt.)	Assembly	1
15	BH70214000150	Pipe heater SEHD-600-B-01(ver.0)	Assembly	1
14	BW7220200610	Heat resistant washable pipe SEHD-200-A-03(ver.0) inner dia. 10.152mm	Assembly	1
13	YE90054001300	Thermocouple S-44-MR4.15N (SEHD-320U-A-12 pin ver.A)	Assembly	1
12	BM30055000150	Motor SSM230V/440V50/60Hz/SEHD1V-55-A-4L	Assembly	1
11	BL01050000120	Long control box SEHD-500-A-28(ver.B)	Welding parts	1
10	YW09043100100	Heavy adjustable hook 431 (locked) ( zinc plated)	SUS304	2
9	YR10204000000	Exhaust pipe fastener 200-200-A-03 (ver.0) (rubber has mold)	Rubber	1
8	BA10020000210	Exhaust pipe SEHD-200-A-0200/M000 (painted)	ACLD	1
7	BY10400000050	Magnetic base assembly HB-400	Assembly	1
6	BW09000630040	Plated sight glass iron sheet six hole	SPCC	1
5	YR40000600000	Sight glass fastener six hole (has mold) (90-14-25)	Rubber	1
4	YR40001200000	Acryl six hole SFD-12-A-26 mat. PC (has mold)	PC	1
3	BH10000012510	Large hinge SFD-200-A-11 (processed) (ver.0)	Alu. alloy	2
2	YW0000012000000	Handle hook SEHD-12-A-14	SPCC3.0	1
1	YW00121000000	Handle SEHD-25-A-08(ver.0)	Assembly	1

Title		Drawing no.	
SEHD-600		SEHD-600-ALL	
Energy-efficient Hopper-Dryer			
Mark	Before Mod.	After Mod.	Mod. by
	Date	Date	Date
	App.	App.	App.
	Check	Check	Check
	Desi.	Desi.	Desi.
	Dra.	Dra.	Dra.
	Ver.	Ver.	Ver.

**SHINI**  
信新塑膠機械股份有限公司  
SHINI Plastics Technologies, Inc.

Scale	1:15	No.	1
Surface req.		Mat.	
Mat. No.		Mat.	

Drying blower power	2.1kW	Hopper capacity	800kg	Ver
	3.7kW			Ver D



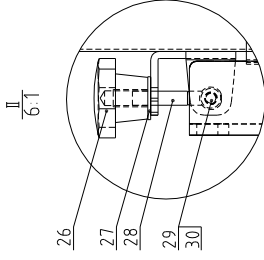
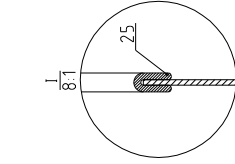
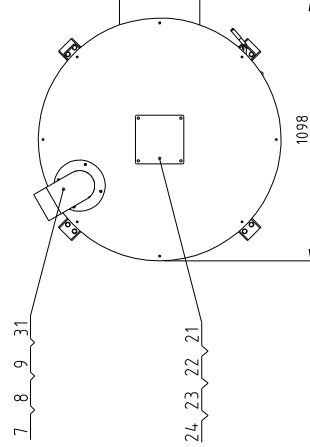
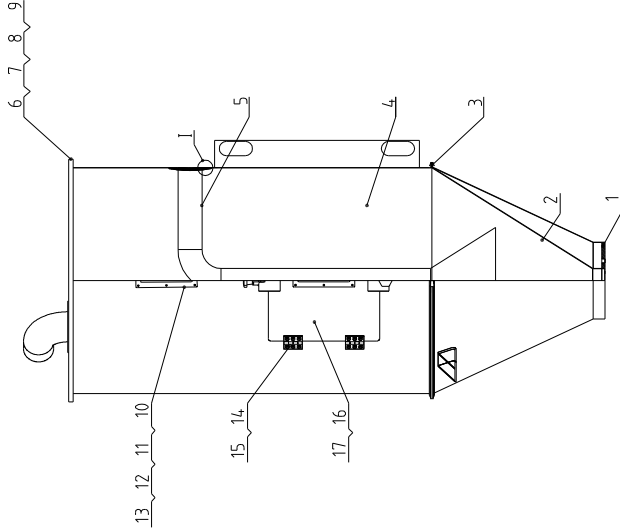
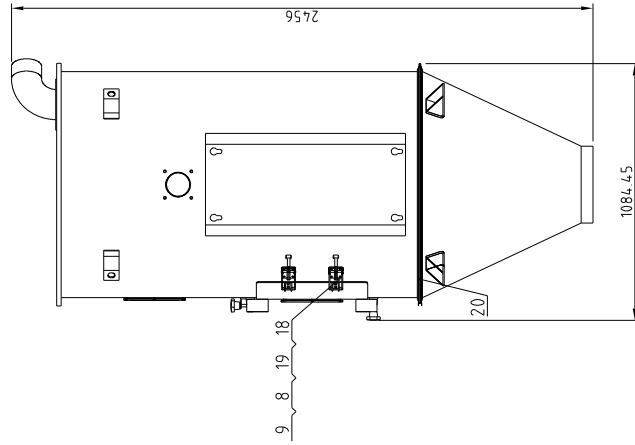
32	YW728000001000	Heat resistant insulation pipe SEHD-800-ALL-03(Ver A)		1
31	YW640121000000	Hexagon nut GB/T1670 M12-longzine		4
30	YW650120000000	Standard spring washer GB/T193 12-longzine		4
29	YW661224000000	Flat washer A grade GB/T197 1213 5x2x2.51-longzine		8
28	YW601245000000	Hexagon screw bolt GB/T15783 M12x4.5-8-longzine		4
27	YW025012000000	Steel wire mesh S5118-1C(PP)High temp headpipe clamp made of SUS201	SUS201	2
26	YW720536000000	Heat-resistant air pipe 5" double layers	Assembly	0.5M
25	YW601610000000	Hexagon screw bolt GB/T15783 M16x10-12.9-longzine		4
24	SHD-900U-A-72	Adapter flange	SUS201	1
23	YW594180000000	Manual butterfly valve 4"	Assembly	1
22	YW640010000100	Hexagon nut GB/T197 11011x20x2		8
21	YW661020001000	Flat washer A grade GB/T197 10-longzine		16
20	YW650100000000	Standard spring washer GB/T193 10-longzine		8
19	YW601030002000	Hexagon screw bolt GB/T15783 M10x30-12.9-longzine		8
18	SEHD-800-C-ALL	Floor stand	Assembly	1
17	SEHD-800-A-ALL	Drying hopper	Assembly	1
16	SEHD-800-B-ALL	Heating case	Assembly	1
15	YE900593013000	Thermoplastic 5x3x.4Mx27H SHD-800U-A-5 Tubular (Ver A)	Assembly	1
14	YW600820100000	Hexagon nut M16(Anti-lossening)(SUS201)		4
13	BL010400032200	Control box long box SEHD-400-C-01(Ver A)	Weldment	1
12	YE673215001000	Copper nickel plated cable connector L122-M32x15	Assembly	1
11	BL020100000020	Wire fixture fixed plate M32 5G-5-01	SPCC2.0	1
10	BL010400032200	Cross socket pan head self-tapping lock screw GB5480 M5-10-longzine		4
9	YW670610000000	Hexagon pan head self-tapping lock screw GB5480 M5-10-longzine		4
8	YW650162000000	Standard spring washer GB/T193 16-longzine		12
7	YW661630000000	Flat washer A grade GB/T197 16-longzine		12
6	YW640016000000	Hexagon nut GB/T197 16-longzine		4
5	SEHD-800-ALL-03	Blower air outlet pipe	SUS201	1
4	YW660816000000	Flat washer A grade GB/T197 16x16x1.6-longzine		8
3	YW650080000100	Standard spring washer GB/T193 8-longzine		8
2	YW600825001000	Hexagon screw bolt GB/T15783 M8x25-12.9-longzine		8
1	YM301500001000	Blower CX-560(B-703) 1kW/110-380V/50HZ Duguan	Assembly	1

标题	SEHD-800	图号	SEHD-800-ALL
副标题	高效节能料斗干燥机		
版号		数量	120
制图		材料	/
设计		表面处理	/
校对		物料号	/
审核			


制图	日期	更改人	日期
设计		更改后	
校对		更改前	
审核		标记	

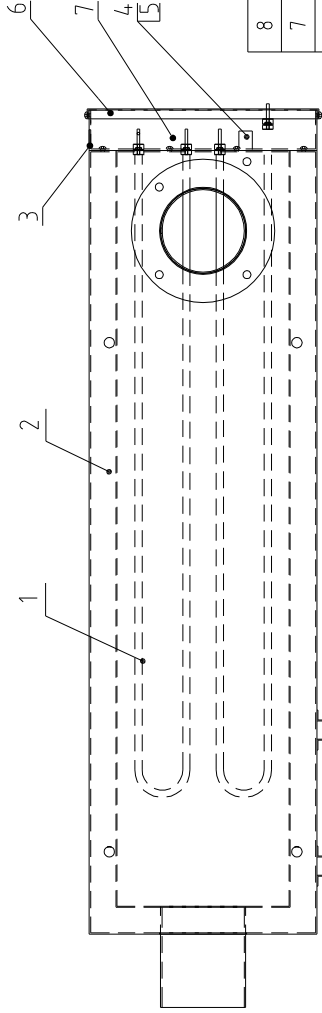
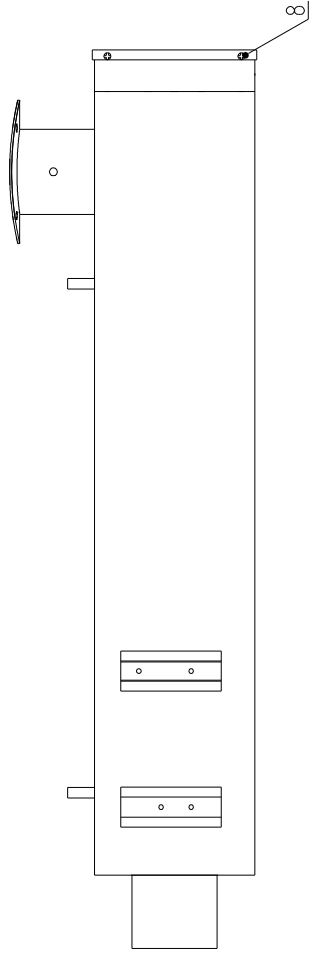


信易电热机械股份有限公司  
Shini Plastics Technologies, Inc.



序号	代号	名称	材料	数量	备注
31	SEHD-800-A-09	Air exhaust pipe		1	
30	YW66000600000	E-rings GB/T 896 6		2	
29	YW09085400000	Star Pin 8x54(SHD-100-A-65)		2	
28	YW09100000000	SDP for large Star screw (with mold)		2	
27	YW60961000000	Flat washer A grade GB/T 98		2	
26	YW09156000000	Big pin for M60-15 SHD-100-60000-02-57		2	
25	YR10129800100	Tank fastener (with SHD-12-A-98 pins)	her silica gel	1	0.35m
24	YW66081600000	Flat washer A grade GB/T 97 118.4x16x1.6	longzine	4	
23	YW65008000100	Standard spring washer GB/T 93 8		4	
22	YW60082500000	Hexagon screw bolt GB/T 5783 M8x25		4	
21	BW09202000000	Square plate	SPCC1.0	1	
20	SEHD-800-A-07	Barrel hoop	Assembly	1	
19	YW09403400000	Heavy duty adjustable door bush 43x41	Assembly	2	
18	YW61061200000	Inner hopper cylinder screw GB/T 7181 M8x12-12.9	white silica gel	8	
17	YL01040001900	Cleaning door fastener SEHD-100-A-9		1	
16	SEHD-800-A-05	Cleaning door	Assembly	1	
15	YW61081600100	Inner hexagon countersunk head screw GB/T 7181 M8x12-12.9 longzine		12	
14	YW06010400000	Hinge 4x104		2	
13	YW64000500000	Non-metal inserted hexagon lock nut GB/T 699 1.9		12	
12	YR40000600000	Sign-glass fastener six hole SHD-12-A-25	Rubber	2	
11	YR40001200000	Acryl six hole SHD-12-A-26	PC	2	
10	BW09000630040	Six holes sign glass(throme plated) SEHD-12-A-10(Drawing size 0)		20	
9	YW66061300000	Flat washer A grade GB/T 97 116xlongzine		20	
8	YW65006000100	Standard spring washer GB/T 93 6-longzine M6x20-4.8-longzine		12	
7	YW60062000100	Hopper cover	SPCC3.0	1	
6	SEHD-800-A-06	Down-blow pipe	SUS201	1	
5	SEHD-800-A-04	Material storage tank	Assembly	1	
4	SEHD-800-A-03	Tank fastener SEHD-25-ALL-02(Ver 0)	silica gel	1	Approximately 3M
3	YR10129800100	Inner hopper	Weldment	1	
2	SEHD-800-A-02	External hopper	Weldment	1	
1	SEHD-800-A-01	External hopper	Weldment	1	

标题	图号	比例	数量	材料
SEHD-800 干果溜	SEHD-800-A-ALL	1:20	1	
制图	设计	校对	审核	
版号	核准	日期		
更改前	更改后	更改人	日期	
标记	更改前	更改后	更改人	日期
 <b>信易电热机械股份有限公司</b> <b>Shini Plastics Technologies, Inc.</b>				
表面要求	物料号			



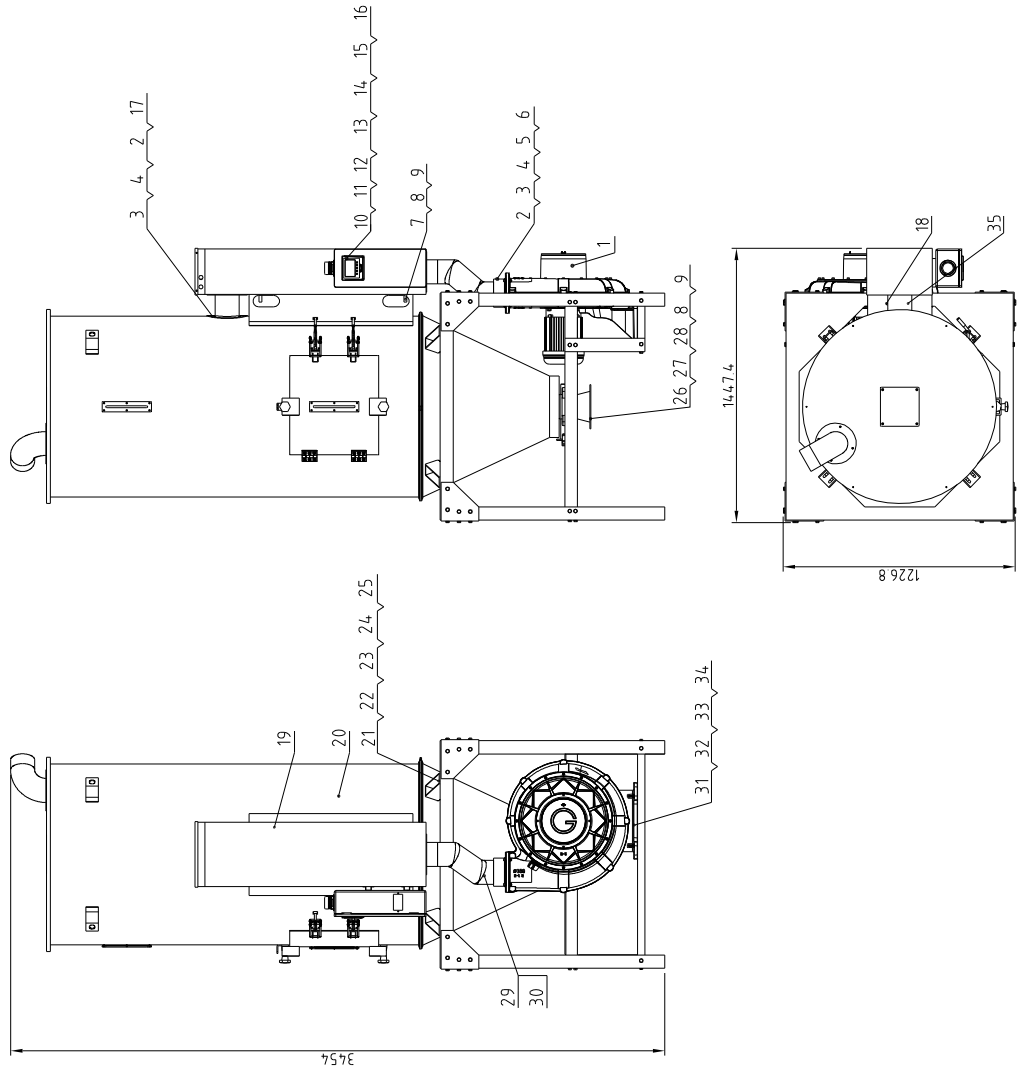
序号	代号	名称	数量	备注
8	YW67051000700	Gross socket pan head self-tapping lock screw GB6560 M5x10 longzine	4	
7	YW67061000000	Gross socket pan head self-tapping lock screw GB6560 M6x10 longzine	10	
6	SEHD-800-B-01	Heating case cover	1	SPCC1.5
5	YW67030800000	Gross socket pan head self-tapping lock screw GB6560 M3x8 longzine	2	
4	YE21180000100	Temp protector 180°C heat-resistant cable 0.75 Line length 1.3M SEHD-400-A-18 normally open	1	Assembly
3	SEHD-800-B-03	Heating case	1	Assembly
2	SEHD-800-B-04	Heating case fastener	1	white silical gel
1	BH70800000950	Heater pipe SEHD-800-B-05-A ZIKW/30.400V(M16)	1	Assembly

制图		版号		标题		代号		图号		名称		比例		数量		备注	
设计		核		SEHD-800		加热箱		SEHD-800-B-ALL		1:10	数量	1	1:10	数量	1		
校对		准									材质	/		材质	/		
审核		日期									表面要求	/		表面要求	/		
更改前		更改人									物料号	/		物料号	/		



信易电热机械股份有限公司  
Shini Plastics Technologies, Inc.

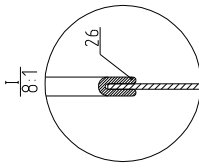
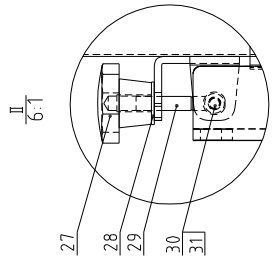
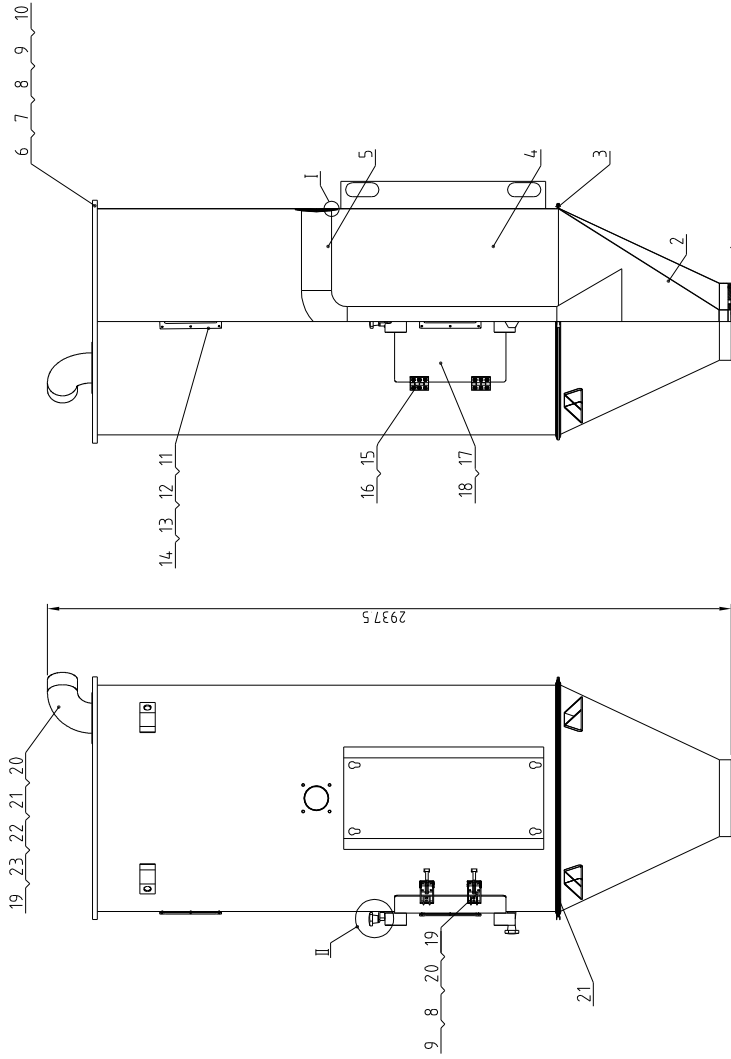
Drying blower power	3.7kW
Drying heater power	24kW
Hopper capacity	1000kg
Ver	Ver.D



35	YW728000000000	Heat resistant insulation pipe SEHD-800-ALL (20Ver.A)	1
34	YW640121000000	Hexagon nut GB/T16170 M12-longzine	4
33	YW650120000000	Standard spring washer GB/T193 12-longzine	4
32	YW661224000000	Flat washer A grade GB/T197.1 12(13.5x24x2.5)-longzine	8
31	YW601245000000	Hexagon screw bolt GB/T15183 M12x45-8-longzine	4
30	YW025012000000	Steel wire hose S-118E-1000(10)pipe clamp Heat resistant air pipe S-200(10)layers	SUS201 2
29	YW720536000000	Heat resistant air pipe S-200(10)layers Red 4.3cm	Assembly 0.5M
28	YW601610000000	Hexagon screw bolt GB/T15183 M16x100-12.9-longzine	4
27	SHD-900U-A-72	Adapter flange	SUS201 1
26	YW594180000000	Manual butterfly valve 4"	Assembly 1
25	YW640010000000	Hexagon nut GB/T6170 M10-longzine	8
24	YW661025000000	Flat washer 10x25x1.5 longzine	16
23	YW650100000000	Standard spring washer GB/T193 10-longzine	8
22	YW601030000200	Hexagon screw bolt GB/T15183 M10x30-12.9-longzine	8
21	SEHD-800-C-ALL	Floor stand	Assembly 1
20	SEHD-1000-A-ALL	Drying hopper	Assembly 1
19	SEHD-1000-B-ALL	Heating case	Assembly 1
18	YE900593013000	Hexacomb motor S-90-180-220W (SHD-600U-A-55 Tubular Ver.A)	Assembly 1
17	YW600820100000	Hexagon nut M8(Anti-loosening)(SUS201) screw GB550 Mx-longzine	4
16	YW670406006000	Cross socket pan head self-tapping lock screw GB550 Mx-longzine	4
15	BL010050100200	Breaker fixed plate SEHD-400-C-02	SPCC10 1
14	BL010400032200	Control box long box SEHD-400-C-01(Ver.B)	Weldment 1
13	YE673215001000	Copper nickel plated cable connector SZE-20x2.5	Assembly 1
12	BL020100000020	Wire fixture fixed plate M32 5G-S-01	SPCC2.0 1
11	YW670510007000	Cross socket pan head self-tapping lock screw GB550 Mx-longzine	4
10	YW670610000000	Cross socket pan head self-tapping lock screw GB550 Mx-longzine	4
9	YW650162000000	Standard spring washer GB/T193 16-longzine	12
8	YW661630000000	Flat washer A grade GB/T197.1 16-longzine	12
7	YW640016000000	Hexagon nut GB/T6170 M16-longzine	4
6	SEHD-800-ALL-03	Blower air outlet pipe	SUS201 1
5	YW640814000000	Hexagon nut GB/T52 M8-longzine	4
4	YW660816000000	Flat washer A grade GB/T197.1 16x4x1.6-longzine	8
3	YW650080001000	Standard spring washer GB/T193 8-longzine	8
2	YW600825001000	Hexagon screw bolt GB/T15183 M8x25-12.9-longzine	8
1	YM301500001000	Blower EX-150(A/B-03) 3.7kW/3.0-380V/50Hz/Output	Assembly 1

标题	SEHD-1000 高转速物料斗干燥机	图号	SEHD-1000-ALL	比例	1:25	数量	1	
制图	设计	校对	审核	日期	更改前	更改后	更改人	
版号	核准	日期	日期	日期	日期	日期	日期	
物料	表面要求	材料	数量	备注				
物料号	物料号	信易电热机械股份有限公司 Shini Plastics Technologies, Inc.						



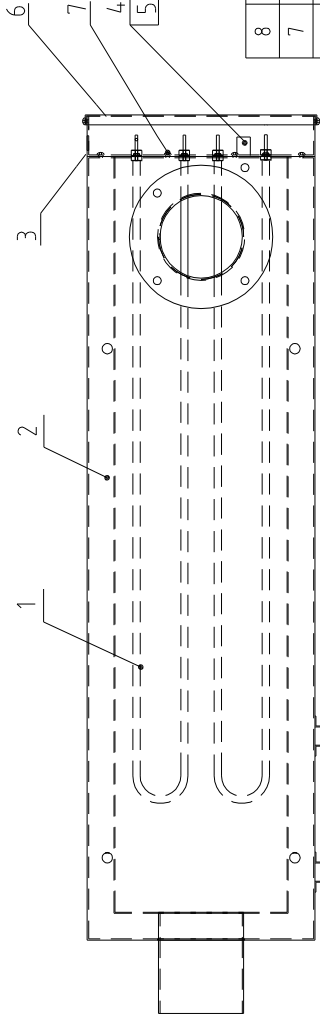
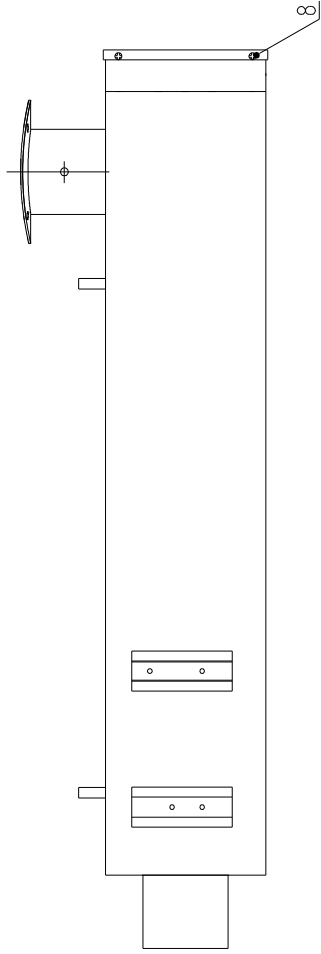


序号	代 号	名 称	材 料	数 量	备 注
32	SEHD-800-A-09	Air exhaust pipe	Weldment	1	
31	YW660006000000	E-rings GB/T896 6		2	
30	YW090854000000	Star Pin 8x54(SHD-100-A-65)		2	
29	YW091000000000	Std for large Star screw (with mold) SHD-100-A-64		2	
28	YW609610001000	Flat washer A grade GB/T936		2	
27	YW091560000000	Bar for nut M8x15 SHD-100-60RCS-02-S7		2	
26	YR101298001000	Tank fastener SEHD-25-ALL-02(Ver 0)	Red silicon gel	1	0.35m
25	YW660816000000	Flat washer A grade GB/T936		4	
24	YW650080010000	Standard spring washer GB/T93 8		4	
23	YW6008250001000	Hexagon screw bolt GB/T5783 M8x25		4	
22	BW092020000000	Square plate	SPCC10	1	
21	SEHD-800-A-07	Barrel hoop	Assembly	1	
20	YW094034000000	Hex nut adjustable door shield 4034.1	Assembly	2	
19	YW610612000000	Inner hexagon cylinder screw GB/T70.1 M6x12-L2.9		8	
18	YL010400001900	Inner hexagon cylinder screw (with white silicon gel) S8 Shaber	White silicon gel	1	
17	SEHD-800-A-05	Cleaning door	Assembly	1	
16	YW610816000100	Inner hexagon countersunk head screw GB/T70.1 M8x16-L2.9		12	
15	YW060104000000	Hinge x10.4		2	
14	YW640005000000	Non-metal inserted hexagon lock nut GB/T899.1 M5		12	
13	YR400006000000	Sepi-glass fastener six hole SHD-12-A-25	Rubber	2	
12	YR400012000000	Acryl six hole SHD-12-A-26	PC	2	
11	BW090006300400	Six holes septi-glass(stone-ene plated) cover fastener SHD-100with silicon gel (this mould)		2	
10	YR100100400000	Flat washer A grade GB/T936		2	
9	YW660613000000	Flat washer A grade GB/T931 6-longzine		20	
8	YW650060001000	Standard spring washer GB/T93 6-longzine		20	
7	YW600620001000	Hopper cover	SPCC30	1	
6	SEHD-800-A-06	Hopper cover	SUS201	1	
5	SEHD-800-A-04	Down-blow pipe	Assembly	1	
4	SEHD-1000-A-01	Material storage tank		1	
3	YR101298001000	Tank fastener SEHD-25-ALL-02(Ver 0)	Silica gel	1	Approximately 3 TH
2	SEHD-800-A-02	Inner hopper	Weldment	1	
1	SEHD-800-A-01	External hopper	Weldment	1	

制图	审核	日期	更改前	更改后	更改人	日期	审核	版号	标题	图号	名称	比例	数量	材料	备注
									SEHD-1000 干果溜	SEHD-1000-A-ALL	SEHD-1000-A-ALL	1:20	1	/	/
标记	更改前	更改后	更改人	日期	审核	日期	审核	版号	核准	日期	日期	日期	日期	日期	日期

**SHINI**  
信易电热机械股份有限公司  
Shini Plastics Technologies, Inc.





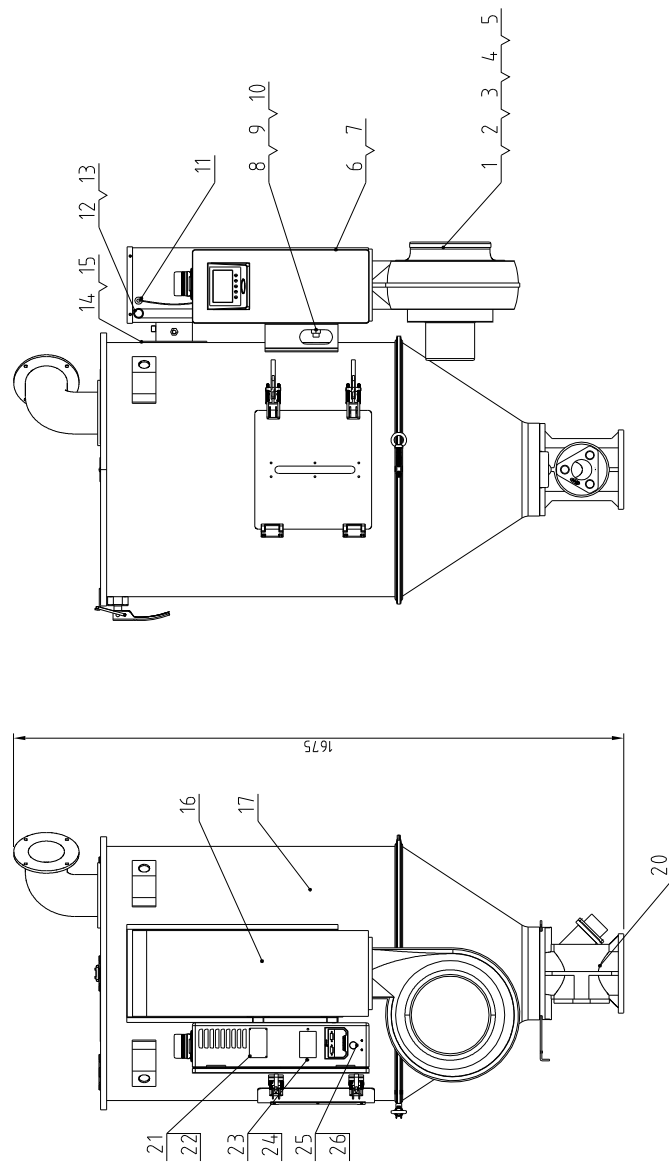
序号	代号	名称	数量	备注
8	YW67051000700	Gross socket pan head self-tapping lock screw G66560 M5x10longzme	4	
7	YW67061000000	Gross socket pan head self-tapping lock screw G66560 M6x10longzme	10	
6	SEHD-800-B-01	Heating case cover	1	SPCC1.5
5	YW67030800000	Gross socket pan head self-tapping lock screw (G66560 M5x8longzme	2	
4	YE21180000100	Temp. protector, 180°C(heat-resistant cable)0.75 line length 1.3M(SEHD-400-A-1B normally open	1	Assembly
3	SEHD-800-B-03	Heating case	1	Assembly
2	SEHD-800-B-04	Heating case fastener	1	White silical gel
1	BH70100030550	Heater pipe SEHD-1000-B-01-A 24KW/3φ/0.00V(M16)	1	Assembly

制图	版号	标题	图号	比例	数量	备注
设计	核准	SEHD-1000 加热箱	SEHD-1000-B-ALL	1:10	数量	
校对	日期				材质	
审核	日期			表面要求		
更改前	更改人			物料号		
更改后	日期					
标记						



信易电热机械股份有限公司  
Shini Plastics Technologies, Inc.

Drive blower power	0.35kW	8.4kW	Hopper capacity	200kg	Ver
					Ver B

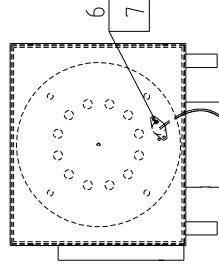
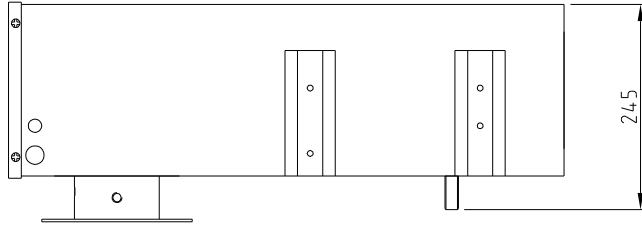
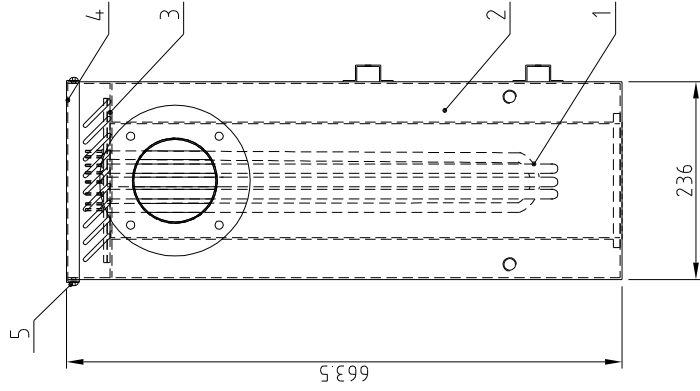


26	YW6704-2000600	Over received gas feed locking screw		2	
25	YR4-0002600000	High flow regulator for feeding and feed lock		1	
24	YW6704-0600600	Over received gas feed locking screw		2	
23	BL01005009820	Client handle fixing plate SPPCL-0	SPPCL-0	1	
22	YW69020500000	Client handle fixing plate SPP-PL-01		4	
21	YP30804-900700	Rivet GB/T 827 2x5		1	
20	BY10100000050	Aluminum plate amplifier group panel	组零件	1	
19	YW80010200100	Magnetic base		1	
18	YE90054-001300	Plug 1/4		1	
17	SEHD-200-A-ALL	Thermocouple S-KH-M09, 5M	组零件	1	
16	SEHD-200-A-230V-A-ALL	Drying hopper	组零件	1	
15	BW7220200610	Heating box (230V)	组零件	1	
14	YW64000800100	Hex-wal inert hexagonal nut nut	组零件	4	
13	YE66018500000	Nylon hose PA6-AD18.5B	PA6	0.4	
12	YE67013500700	High low resistor NTC-PL-0100E1	PA66	1	
11	YR300000000200	Rubber stopper 50 small SPP-201	丁基橡胶	2	
10	YW65012000000	Standard spring washer GB/T93.12		2	
9	YW66024130000	Flat washer A grade GB/T97.1.12		2	
8	YW64012100000	Hexagonal nut GB/T6170 M2		4	
7	YW62061000000	Over received flat lock screw JIS111		4	
6	BL01500200121	Control box long box SPP-200-120	组零件	1	
5	YR10020000600	Blower pressing SPP-200-1-13	白砂胶	1	
4	YW66081600000	Flat Washer Grade A		4	
3	YW65008000100	Standard spring washer GB/T93.8		4	
2	YW60082500100	Hexagon head bolt GB/T82 GB-19.3		4	
1	BM40535-000250	Handle 1 1/2 圆孔 20mm 扁钢	组零件	1	

图号	SEHD-200-230V	标题	商英节能料斗干燥机
版号		制图	
核准		设计	
日期		校对	
		审核	
更改前	更改人	更改后	更改人
日期		日期	
标记			
物料号		表面要求	/
数量	113	比例	1:1
材质		材质	/
		物料号	/

信易电热机械股份有限公司  
Shini Plastics Technologies, Inc.



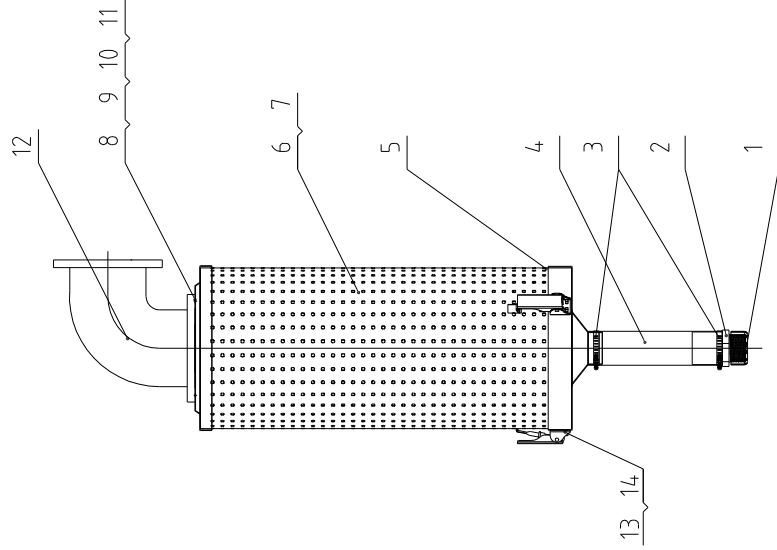


7	YW63030600000	Cross recessed pan head screw GB/T 923		2
6	BE85018000150	Hexagonal flange head screw GB/T 6170	Assembly	1
5	YW63050800000	Cross recessed pan head screw GB/T 923		8
4	SEHD-200-B-03	Heating box cover	SPCC15	1
3	YR10020000600	Inner insulator 99-200-13 white silicone gel		1
2	SEHD-200-B-01	Heating box body	Assembly	1
1	BH70020001250	Pipe heater 999-200-10 & 400/300/200	Assembly	1
序号	代号	名称	材质	数量

标题	SEHD-200-230V 加热箱 (230V)	图号	SEHD-200-230V-A-ALL
版号		比例	1:8
制图		数量	
设计		材质	/
校对		表面要求	/
审核		物料号	/
日期			
更改人			
更改后			
更改前			
标记			



信易电热机械股份有限公司  
Shini Plastics Technologies, Inc.

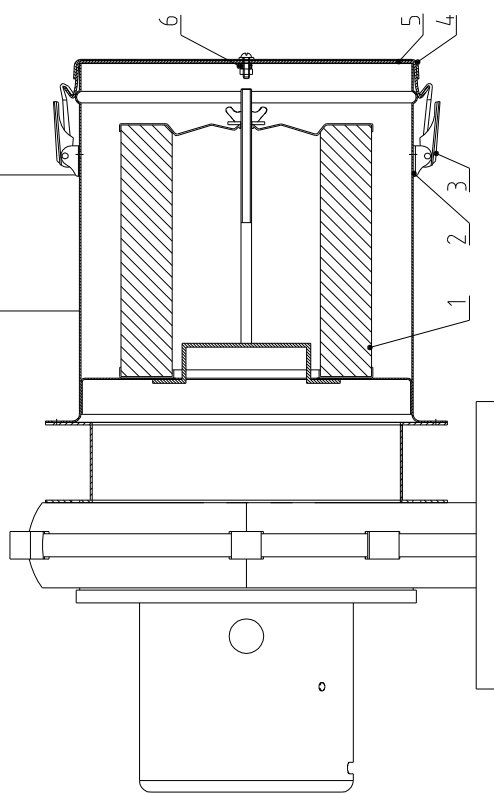
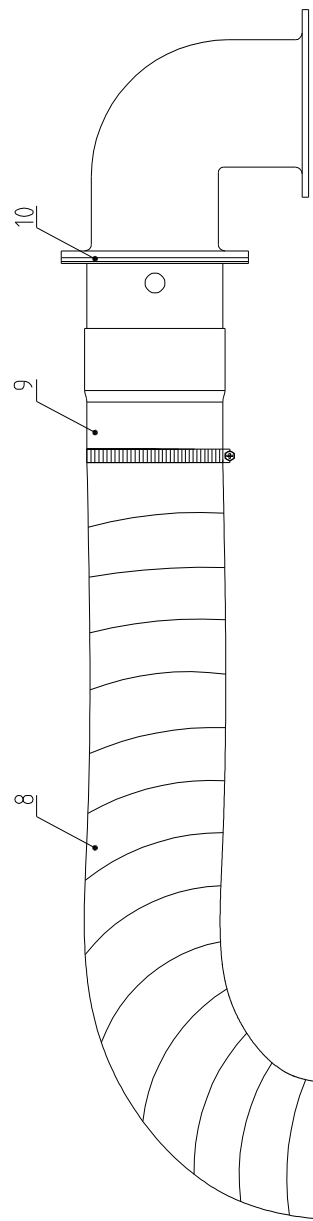


14	YW64040700100	Non-metal insert hex lock nut GB/T889.1M4.		6	
13	YW02003000400	Adjustable snap hook SAL-6U-A-35(Ver C)		3	
12	BA10020000210	Air exhaust pipe SFHD-200-A-14 (20071000)(Ver.0)(painted)(has mould)	ZL101	1	
11	YR10204000000	Air exhaust pipe fastener SHD-200/400	Rubber	1	
10	YW66061300000	Flat Washer Grade A GB/T197.1.6-Dak Rust		4	
9	YW65006000100	Standard spring washer GB/T193.6-Longzine		4	
8	YW60062000100	Hexagon head bolt GB/T5781 M6x20		4	
7	YR50241400100	Filter ADC3 rubber fastener ISM0-2000H-A-ALL-11(Ver B)	Assembly	1	
6	ADC-3-A-02	Filter housing	Weidment	1	
5	ADC-3-A-01	Lower cover	Weidment	1	
4	YE66515800000	PVC transparent hose 2"	PVC	1	L=200mm
3	YW02002500000	Steel wire hose 2.5"	SUS201	2	
2	YR40012500000	Plastics connector 1.25"	Assembly	1	
1	YR40000000100	Bottom plug ADC-1-A-05(Ver.0)(has mould)	HCF	1	

制图	版号	标题	图号	名称	材质	数量	备注
设计	核准	排风空气滤清器	ADC-3	ADC-3-ALL	比例 1:10	数量	1
校对	日期					材质	
审核	日期				表面要求		
更改前	更改后	更改人	日期		物料号		
标记							

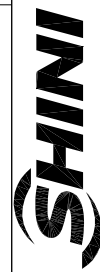


信易电热机械股份有限公司  
Shini Plastics Technologies, Inc.

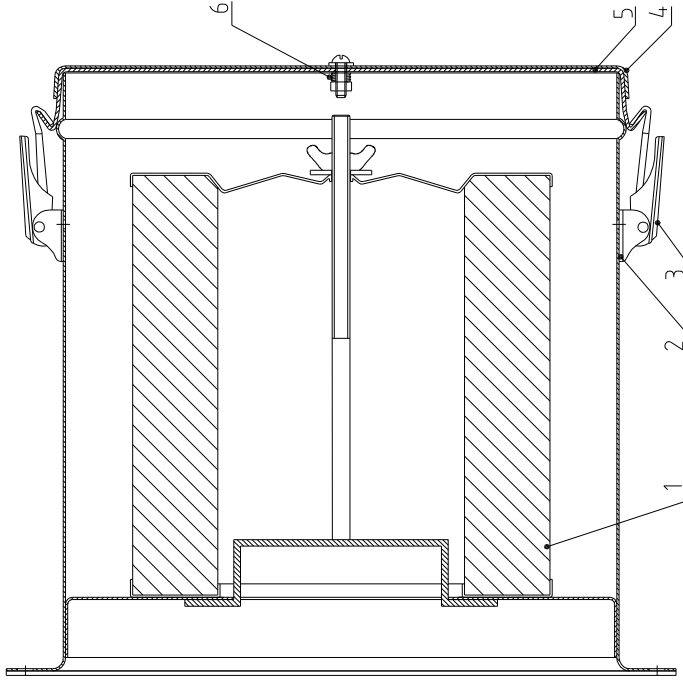


序号	代号	名称	材料	数量	备注
10	YR10204.000000	Air exhaust pipe (astener SEHD-200-A-15(iver-0) rubber(has mould)		1	
9	BH11004.010310	Quick connector 4" HAR-200-A-03-A(SUS)		1	
8	YW7204.3600000	Heat resistant pipe 4" double layers red x3.6m		0.5	
7	YW02004.500000	Steel wire hose 4.5"(91-114mm)		2	
6	YW01126900000	Air cover spring (TB-3-A-10)		1	
5	BL000005004.20	Blower Filter Tank cover 5"-01(HAR-5)(has mould)		1	
4	BL000005003.20	Blower filter barrel air cover 5"-02(HAR-5)(has mould)		1	
3	YW0200330004.00	Adjustable snap hook SAL-6U-A-35		2	
2	YR4.00000600800	Snap hook plastic pad SAL-6U(white)(has mould)		2	
1	YR501819000000	Filter HAR ext. 188x inner 114/88x height 191		1	

制图	设计	校对	审核	日期	更改人	更改后	更改前	标记
版号	核 准	日 期						
标题	HAR-200 热风回收器		图号	HAR-200-ALL				
比例	1:1	数量	1	材料				
表面要求								
物料号								



信易电热机械股份有限公司  
Shini Plastics Technologies, Inc.



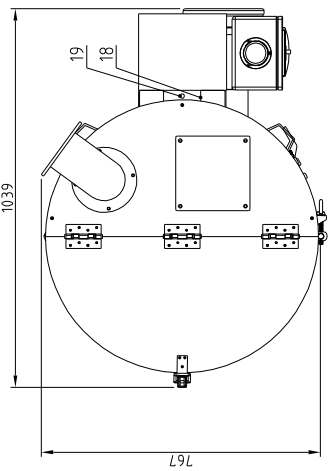
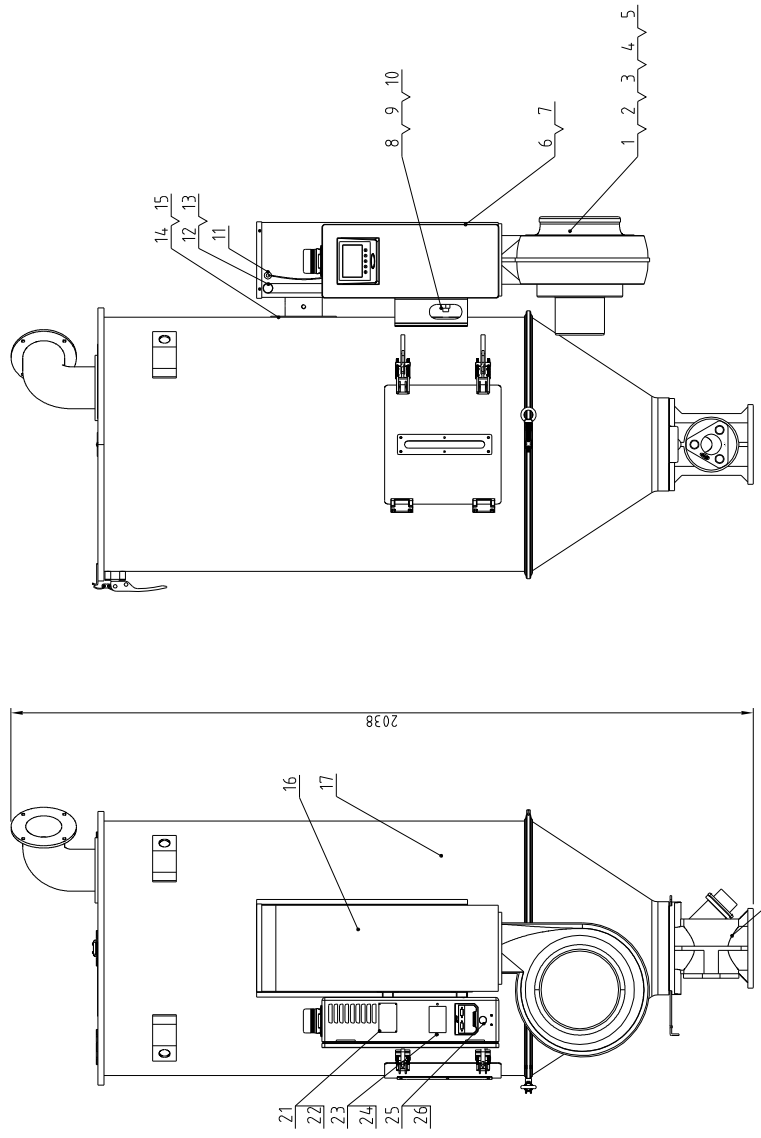
6	YW01126900000	Air cover spring (TB-3-A-10)		1	
5	BL00000500420	Blower Filter Tank cover 5"-01(HAR-5)(has mould)		1	
4	BL00000500320	Blower filter barrel air cover 5"-02(HAR-5)(has mould)		1	
3	YW02003000400	Adjustable snap hook SAL-6U-A-35		2	
2	YR40000600800	Snap hook plastic pad SAL-6U(white)(has mould)		2	
1	YR50181900000	Filter HAR ext. 188x inner 114/788x height 191		1	

序号	代号	名称	材料	数量	备注
标题		图号	比例	数量	
AIF-200		AIF-200-ALL	1:1		
风机入口过滤器				数量	
				材质	
			表面要求		
			物料号		
制图		版号	核 准	日期	
设计					
校对					
审核					
		更改后	更改人	日期	
		更改前			
标记					



信易电热机械股份有限公司  
Shini Plastics Technologies, Inc.

Driving blower power	9.6kW	Hopper capacity	300kg	Ver
0.35kW				Ver B

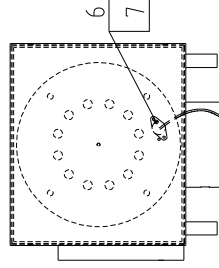
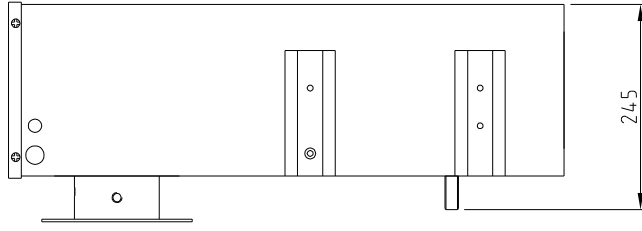
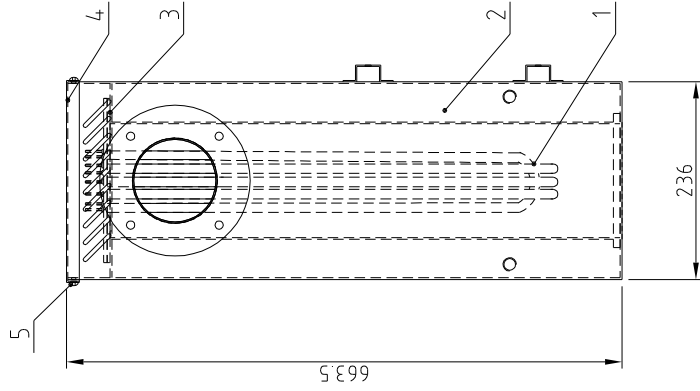


26	YW6704-2000600	Over received gas lead locking screw		2
25	YR40002600000	High flow rubber roller with lead		1
24	YW6704-0600600	Over received gas lead locking screw		2
23	BL01005009820	Insert heater fixing plate SPS-H41	SPOC1.0	1
22	YW69020500000	Rt ret. GB/T 827 2x5		4
21	YF30804-900700	Alum plate amplifier gmp panel		1
20	BY10100000050	Magnetic base MB-100	Assembly	1
19	YW80010200100	Plug 1/4		1
18	YE90054-001300	Thermocouple S-KU-M99, 3M	Assembly	1
17	SEHD-300-A-ALL	Drying hopper	Assembly	1
16	SEHD-300-230V-A-ALL	heating box	Assembly	1
15	BW72201200610	Hexagonal nut M6 (anti-loose)	Assembly	1
14	YW60082010000	Hexagonal nut M6 (anti-loose)	SUS202	4
13	YE66018500000	Nylon hose PA6-AD18.5B	PA6	0.4
12	YE67013500700	High flow rubber roller with lead	PA66	1
11	YR300000000200	Roller stopper SPS small SPS-200	Butyl Rubber	1
10	YW65012000000	Standard spring washer GB/T93.12		2
9	YW66024130000	Flat washer A grade GB/T97.1.12		2
8	YW64012100000	Hexagonal nut GB/T6170 M2		2
7	YW62061000000	Over received flat lead screw JIS111		4
6	BL01500200121	Control box long box SPS-200-H3B	Assembly	1
5	YR100200000600	Blower pressing SPS-200-H13	White silicone gel	1
4	YW66081600000	Flat Washer Grade 1 (S 44894.6)		4
3	YW65008000100	Standard spring washer GB/T93.8		4
2	YW60082500100	Large lead ball GB/T2818 M26-H13		4
1	BM40535-000250	Ball mill 1.5mm 2000000000	Assembly	1

图号	SEHD-300-230V	标题	高热节能料斗干燥机
版号		校核	
制图		校对	
更改前	更改人	日期	审核
更改后	更改人	日期	审核
标记			
物料号		表面要求	/
数量	113	比例	1:1
材质		备注	
物料号			

信易电热机械股份有限公司  
Shini Plastics technologies, Inc.





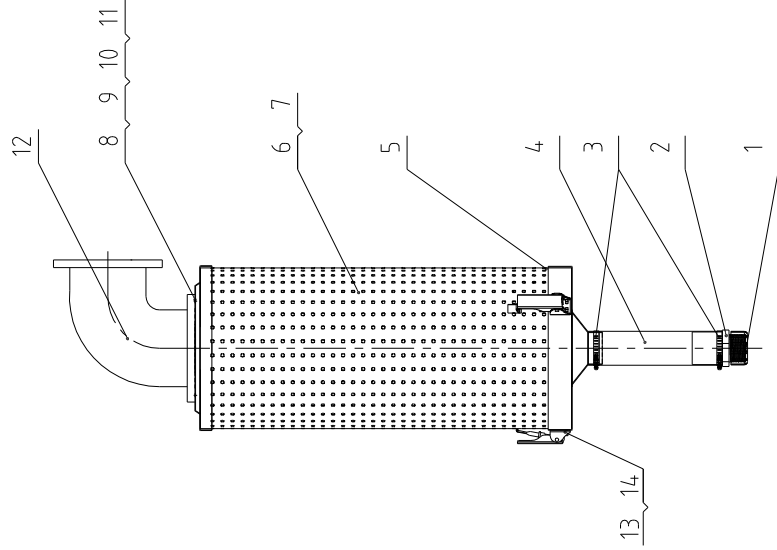
7	YW63030600000	Cross recessed pan head screw (Ø7*62)		2	
6	BE85018000150	Heating box cover	Assembly	1	
5	YW63050800000	Cross recessed pan head screw (Ø7*60)		8	
4	SEHD-200-B-03	Heating box cover	SPCC15	1	
3	YR10020000600	Heating box body		1	
2	SEHD-200-B-01	Heating box body	Assembly	1	
1	BH70030000550	Pipe heater	Assembly	1	
序号	代号	名称	材质	数量	备注
标题 SEHD-300-230V		图号	比例 1:8	数量	
加热箱 (230V)		SEHD-300-230V-A-ALL		材质	/
			表面要求		/
			物料号		/

制图	版号	日期	更改人	日期
设计	核准		更改后	
校对			更改前	
审核				
标记				



信易电热机械股份有限公司  
Shini Plastics Technologies, Inc.



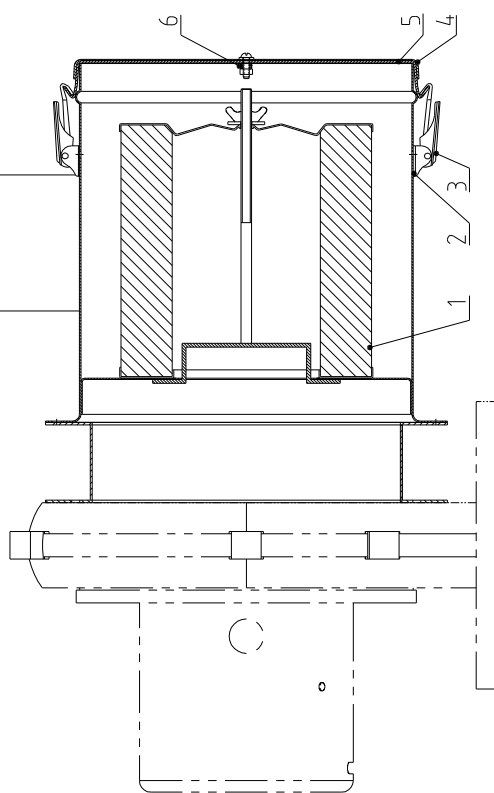
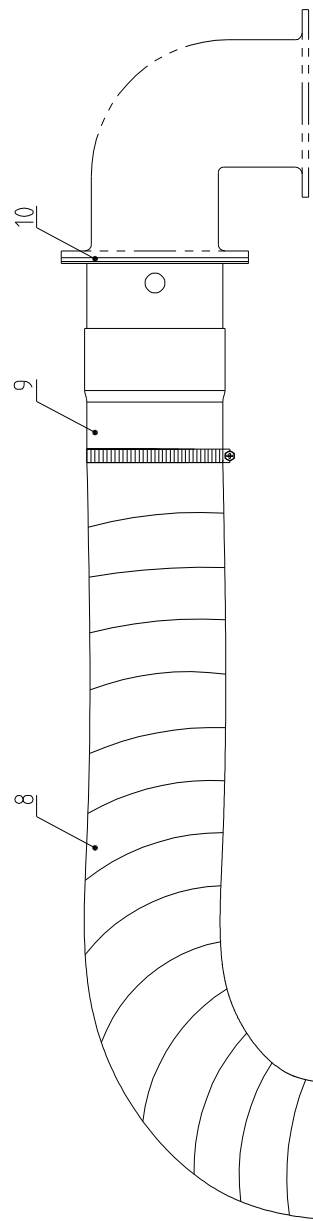


14	YW64040700100	Non-metal insert hexagon nut GB/T889.1 M4	6
13	YW02003000400	Spring buckle adjustable SAL-6U-A-35(Ver.C)	3
12	BA10020000210	Air exhaust pipe SFHD-200-A-14 (Z007/1000)(Version D) (Painted) (with Mold)	1
11	YR10204-0000000	Air exhaust pipe fastener SHD-200/4.00	1
10	YW660613000000	Flat washer A grade GB/T97.1 6-Longzine	4
9	YW65006000100	Standard spring washer GB/T93 6-Longzine	4
8	YW60062000100	Hexagon screw bolt GB/T5181 M6x20-4.8-Longzine	4
7	YR502414-00100	Filter AD3 rubber fastener(SMD-2000H-A-ALL-11)(Ver.B)	1
6	ADC-3-A-02	Filter housing	1
5	ADC-3-A-01	Lower cover	1
4	YE66515800000	PVC transparent hose 2"	1 L=200mm
3	YW02002500000	Steel wire hose 2.5"	2
2	YR40012500000	Plastics connector 1.25"	1
1	YR40000000100	Bottom plug ADC-1-A-05 (Ver.0)(has mould)	1

序号	代号	名称	数量	备注
	ADC-3	ADC-3-ALL	1:10	数量 1
标题	排风空气滤清器			比例 1:10
版号	核准	日期		材料
制图	设计	校对	审核	表面要求
更改前	更改后	更改人	日期	物料号
标记				



信易电热机械股份有限公司  
Shini Plastics Technologies, Inc.

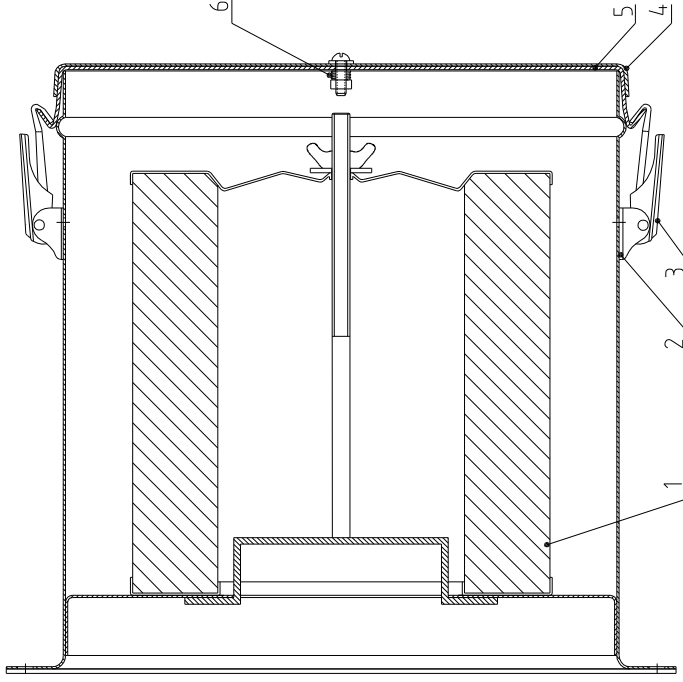


序号	代号	名称	材料	数量	备注
10	YR10204.000000	Air exhaust pipe fastener SEHD-200-A-15(iver-01 rubber)(has mould)		1	
9	BH11004.010310	Quick connector 4" HAR-200-A-03-A(SUS)		1	
8	YW7204.3600000	Heat resistant pipe 4" double layers red x3.6m		0.5	
7	YW02004.500000	Steel wire hose 4.5"(91-114mm)		2	
6	YW01126900000	Air cover spring (TB-3-A-10)		1	
5	BL000005004.20	Blower Filter Tank cover 5"-01(HAR-5)(has mould)		1	
4	BL000005003.20	Blower filter barrel air cover 5"-02(HAR-5)(has mould)		1	
3	YW0200330004.00	Adjustable snap hook SAL-6U-A-35		2	
2	YR4.00000600800	Snap hook plastic pad SAL-6U(white)(has mould)		2	
1	YR501819000000	Filter HAR ext. 188x inner 114/88x height 191		1	

制图	版号	标题	代号	图号	比例	数量	备注
设计	核 准	HAR-200	HAR-200	HAR-200-ALL	1:1	数量	1
校对	日期	热风回收器				材质	
审核	日期				表面要求		
更改前	更改后				物料号		
更改人	日期						
标记							



信易电热机械股份有限公司  
Shini Plastics Technologies, Inc.



序号	代号	名称	材料	数量	备注
6	YW01126900000	Air cover spring (TB-3-A-10)		1	
5	BL00000500420	Blower Filter Tank cover 5"-01(HAR-5)(has mould)		1	
4	BL00000500320	Blower filter barrel air cover 5"-02(HAR-5)(has mould)		1	
3	YW02003000400	Adjustable snap hook SAL-6U-A-35		2	
2	YR40000600800	Snap hook plastic pad SAL-6U(white)(has mould)		2	
1	YR50181900000	Filter HAR ext. 188x inner 114/88x height 191		1	

制图	版号	标题	图号	比例	数量	备注
设计		AIF-200	AIF-200-ALL	1:1		
校对	核准	风机入口过滤器			材料	
审核	日期			表面要求		
更改前	更改后	更改人	日期	物料号		
标记						

