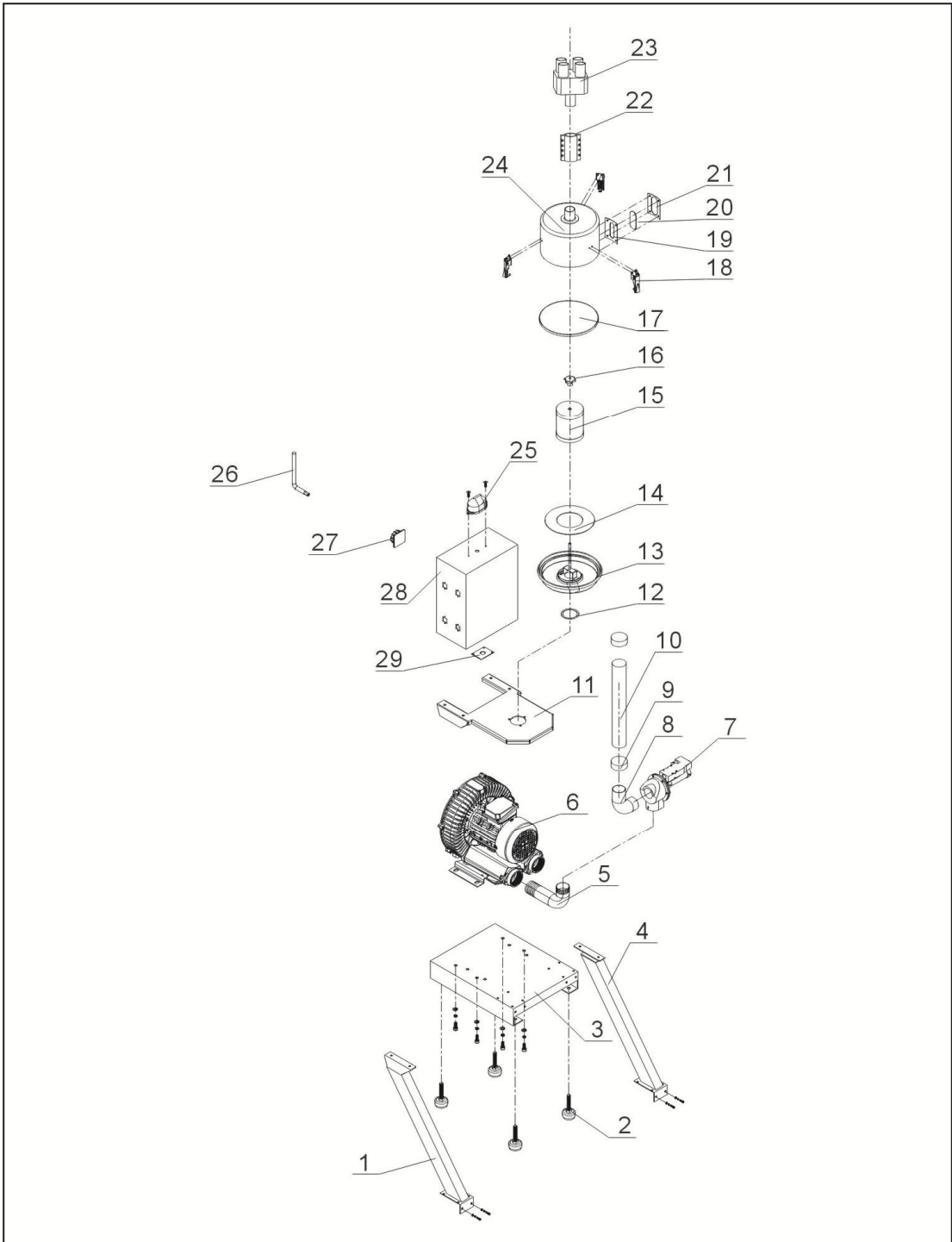


1. Assembly Drawing (SAL-2HP/3HP-UG124)



Remarks: Please refer to material list 2 for specific explanation of the Arabic numbers in parts drawing.

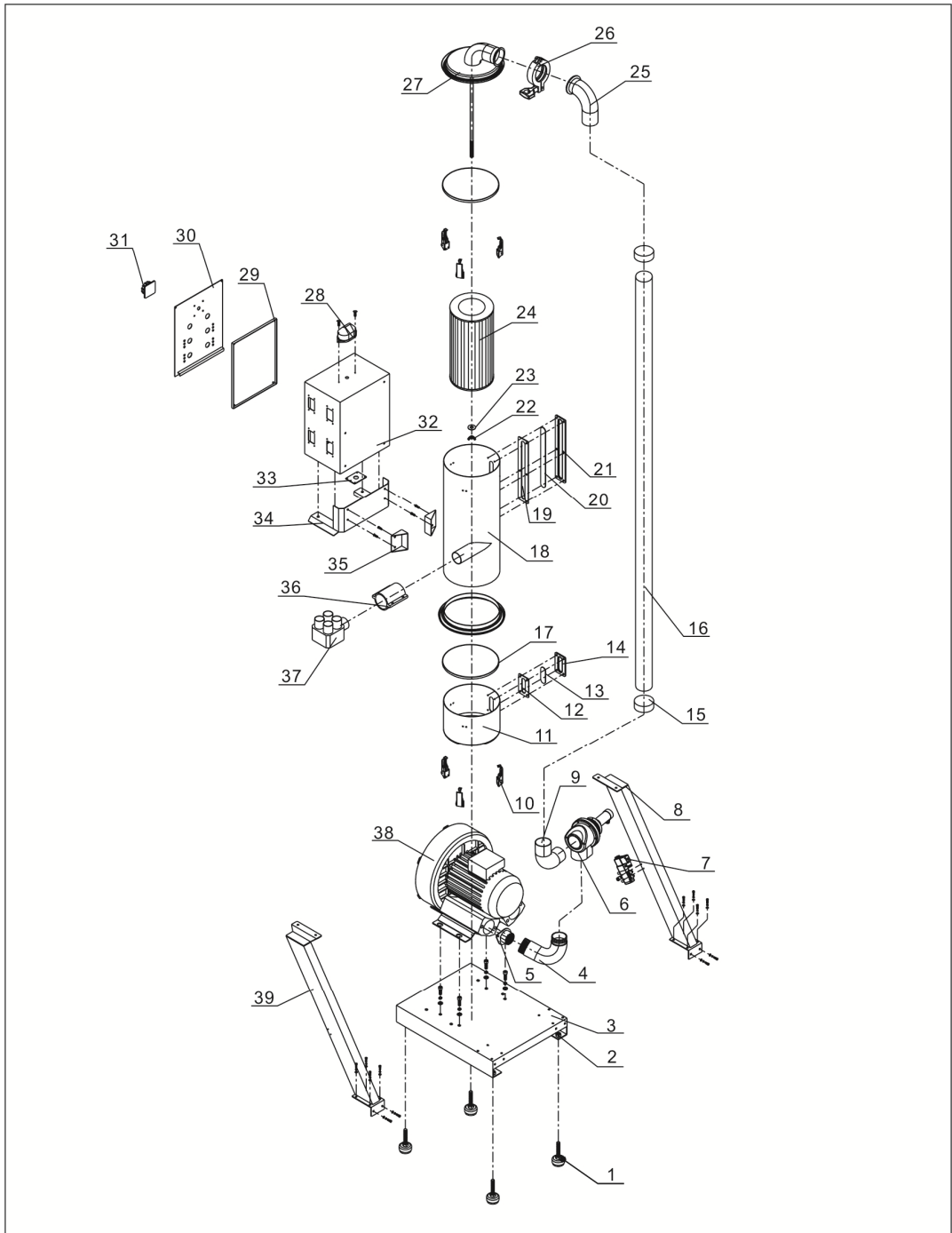
2. Parts List (SAL-2HP-UG124)

No.	Name	Part No.	No.	Name	Part No.
1	Left standing pole	-	15	Filter	YR50708000000
2	Anti-vibration pad	YW03005000000	16	Hexagon nut 5/16"	YW69051600000
3	Base	-	17	Filter barrel fastener	YR10708000100
4	Right stand column	-	18	Snap hook	YW02003000400
5	Air inlet pipe	-	19	Four hole material window fastener	YW09000000400
6	High pressure blower 2HP	BM30042000050	20	Four hole acryl	YR40001200100
	High pressure blower 3HP	BM30053000050	21	Four hole material window sheet iron	YR40000400000
7	Vacuum breaking diaphragm valve 1.5"	BY20015000050	22	Pipe connector 2"	BW20002002050
8	Vacuum breaking diaphragm valve piping	-	23	Five-way pipe	-
9	Pipe bundle 2.5"	YW02002500000	24	Filter barrel	-
10	Steel wire rubber pipe 2"	YR60205040100	25	Alarm light	YE83305100200
11	Support structure of filter barrel	-	26	Dedicated wrench for anti-theft screw	JT40450000000
12	Filter barrel base fastener	-	27	Main power switch	YE10210300000
13	Filter barrel lid assembly	-	28	Control cabinet	BH32012040050
14	Filter barrel lid fastener	YR10030000000	29	Line jig fixed plate	-

* means possible broken parts. ** means easy broken part. and spare backup is suggested.

Please confirm the version of manual before placing the purchase order to guarantee that the item number of the spare part is in accordance with the real object.

3. Assembly Drawing (SAL-5HP-UG124(-D))



Remarks: Please refer to material list 4 for specific explanation of the Arabic numbers in parts drawing.

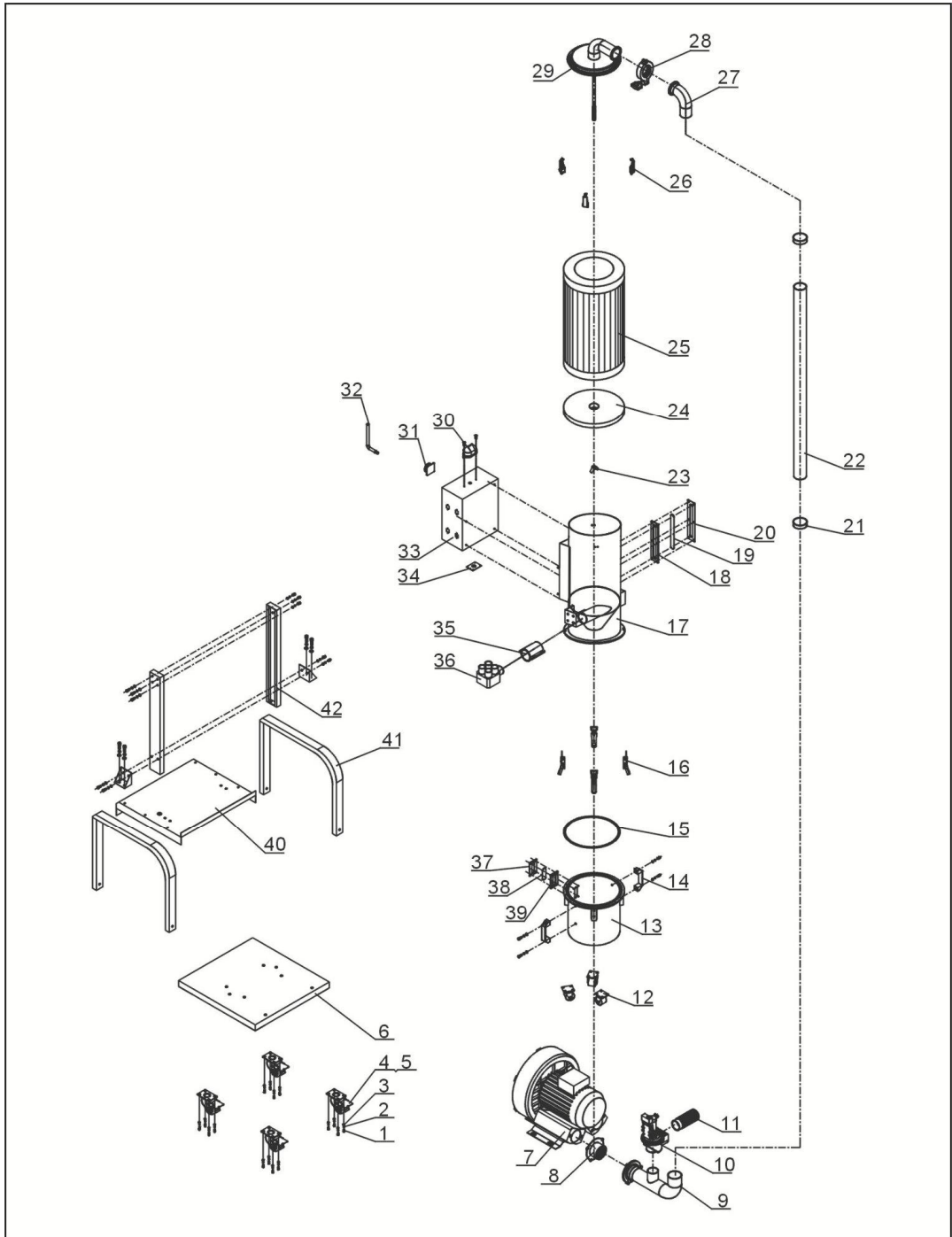
4. Parts List (SAL-5HP-UG124(-D))

No.	Name	Part No.	No.	Name	Part No.
1	Anti-vibration pad Φ50	YW03005000000	21	Six hole material windw sheet iron	YW09000600000
2	Nut M12	YW64012100000	22	Butterfly nut 5/16"	YW69051600000
3	Dust collecting barrel	BL21003500120	23	Flat gasket 8	YW66082200100
4	Air inlet pipe	BL26000503220	24	Filter ADC2	YR50181100000
5	Blower flange	BH13003500210	25	Air suction pipe	-
6	Vacuum breaking diaphragm valve 2"	-	26	Pipe clamp	YW07002500600
7	Solenoid valve 4V210-06/DC24V	YE32421000300	27	Filter barrel lid assembly	BL26000503120
8	Left stand column	-	28	Alarm light LTE-3051 AC220V	YE83305100200
9	Vacuum breaking diaphragm valve piping	BL26000503320	29	Control base board	-
10	Snap hook	YW02003000400	30	Control box cover	-
11	Dust collecting barrel	BL21003507921	31	Main power switch	YE10021160000
12	Four hole material window fastener	YR40000400000	32	Control cabinet	-
13	Four hole acryl	YR40001200100	33	Line jig fixed plate	-
14	Four hole material window sheet iron	YW09000000400	34	Support structure of filter barrel	-
15	Stainless steel clamp 3"	YW02000300000	35	Control box fixing block	-
16	Steel wire rubber pipe 2.5"	YR60353000000	36	Aluminum pipe coupling2"	YW20002000700
17	Filter barrel fastener	YR10080000300	37	Five-way pipe	BL26003503820
18	Filter barrel assembly	BL26000500920	38	High pressure blower 5HP	BM30055000050
19	Six hole material window fastener	YR40000600000		High pressure blower 5HP (two stage)	YM30433700000
20	Six acryl	YR40001200000	39	Right stand column	

* means possible broken parts. ** means easy broken part. and spare backup is suggested.

Please confirm the version of manual before placing the purchase order to guarantee that the item number of the spare part is in accordance with the real object.

5. Assembly Drawing (SAL-10HP-UG124(-D))



Remarks: Please refer to material list 6 for specific explanation of the Arabic numbers in parts drawing.

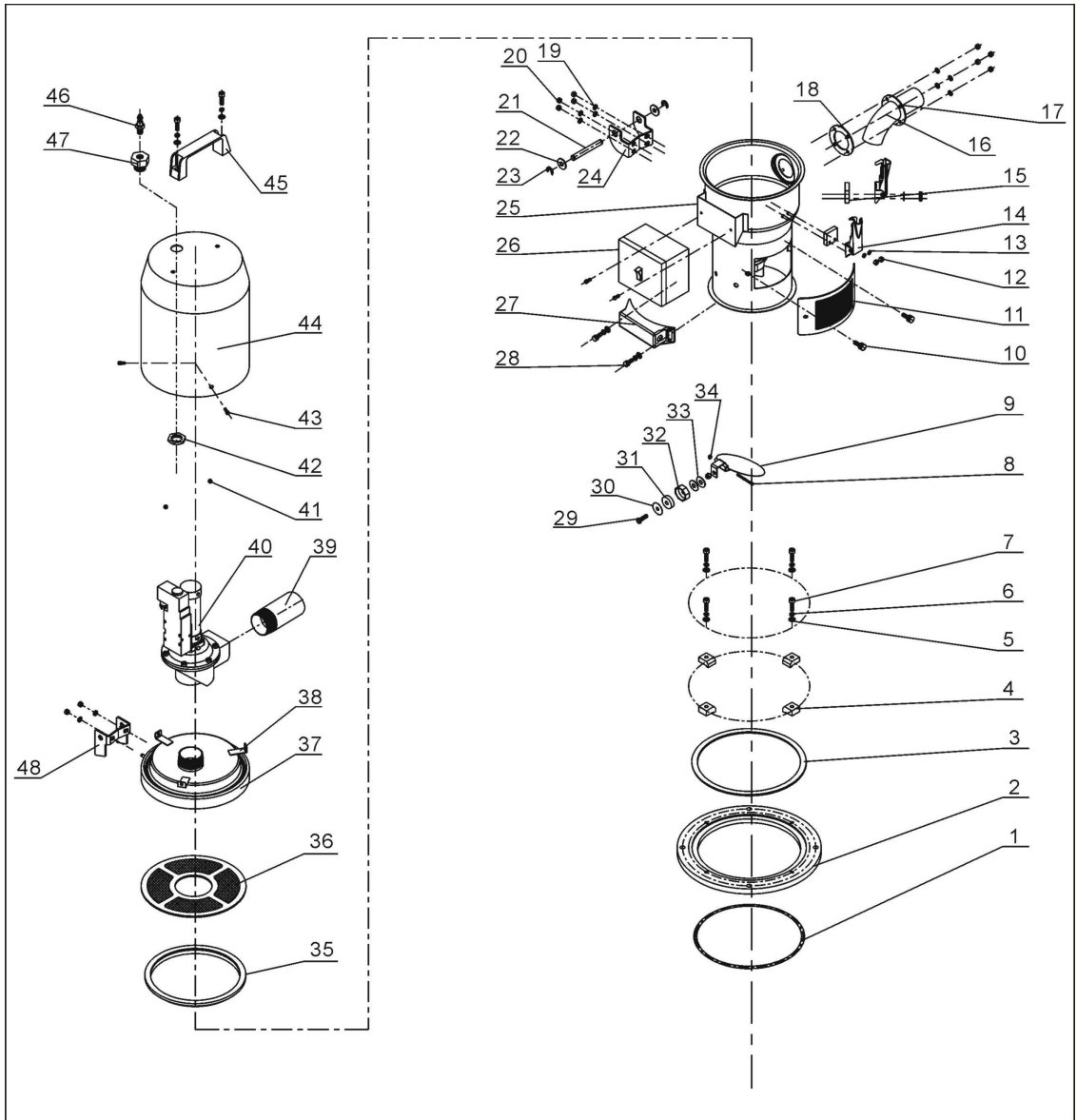
6. Parts List (SAL-10HP-UG124(-D))

No.	Name	Part No.	No.	Name	Part No.
1	Outer hexagon screw M6×16	YW60061600100	22	Steel wire rubber pipe 2.5"	YR60253000000
2	Flat washer 6	YW66061300000	23	Butterfly nut 5/16"	YW69051600000
3	Spring washer 6	YW65006000100	24	Strainer fixed plate	BL26007504720
4	Braking universal caster 3"	YW03000300000	25	Filter	YR50221400000
5	Freestyle universal caster 3"	YW03000300200	26	Snap hook	YW02003000400
6	Dust collecting barrel	BL26007502721	27	Air suction pipe	-
7	High pressure blower 10HP	BM30081000050	28	Pipe clamp	YW07002500600
	High pressure blower 10HP(two stage)	YM30637500000	29	Filter barrel lid assembly	-
8	Blower flange	-	30	Alarm light	YE83305100200
9	Air inlet pipe	-	31	Main power switch	YE10210300000
10	Vacuum breaking valve 2"	BY20500000050	32	Dedicated wrench for anti-theft screw	JT40450000000
11	Air refill screen	-	33	Control cabinet	-
12	Universal caster 2.5"	YW03002500000	34	Line jig fixed plate	-
13	Dust collecting barrel	BL26007502421	35	Pipe connector 2.5"	BH80002510050
14	Aluminum handle L120	BW20012000040	36	Five-way pipe	-
15	Dust collecting barrel fastener	YE32051800100	37	Four hole material window fastener	YW09000000400
16	Big handle	YW02003000100	38	Four hole acryl	YR40000400000
17	Filter barrel assembly	-	39	Four hole material window sheet iron	YR40001200100
18	Six hole material window fastener	YR40000600000	40	Intermediate plate	-
19	Six acryl	YR40001200000	41	Frame 1	-
20	Six hole material windw sheet iron	YW09000600000	42	Filter barrel stand column	-
21	Stainless steel pipe bundle 3"	YW02000300000			

* means possible broken parts. ** means easy broken part. and spare backup is suggested.

Please confirm the version of manual before placing the purchase order to guarantee that the item number of the spare part is in accordance with the real object.

7. Parts Drawing (SHR-3U-S)



Notes: Please refer to material list 8 for specific explanation of the Arabic numbers in parts drawing.

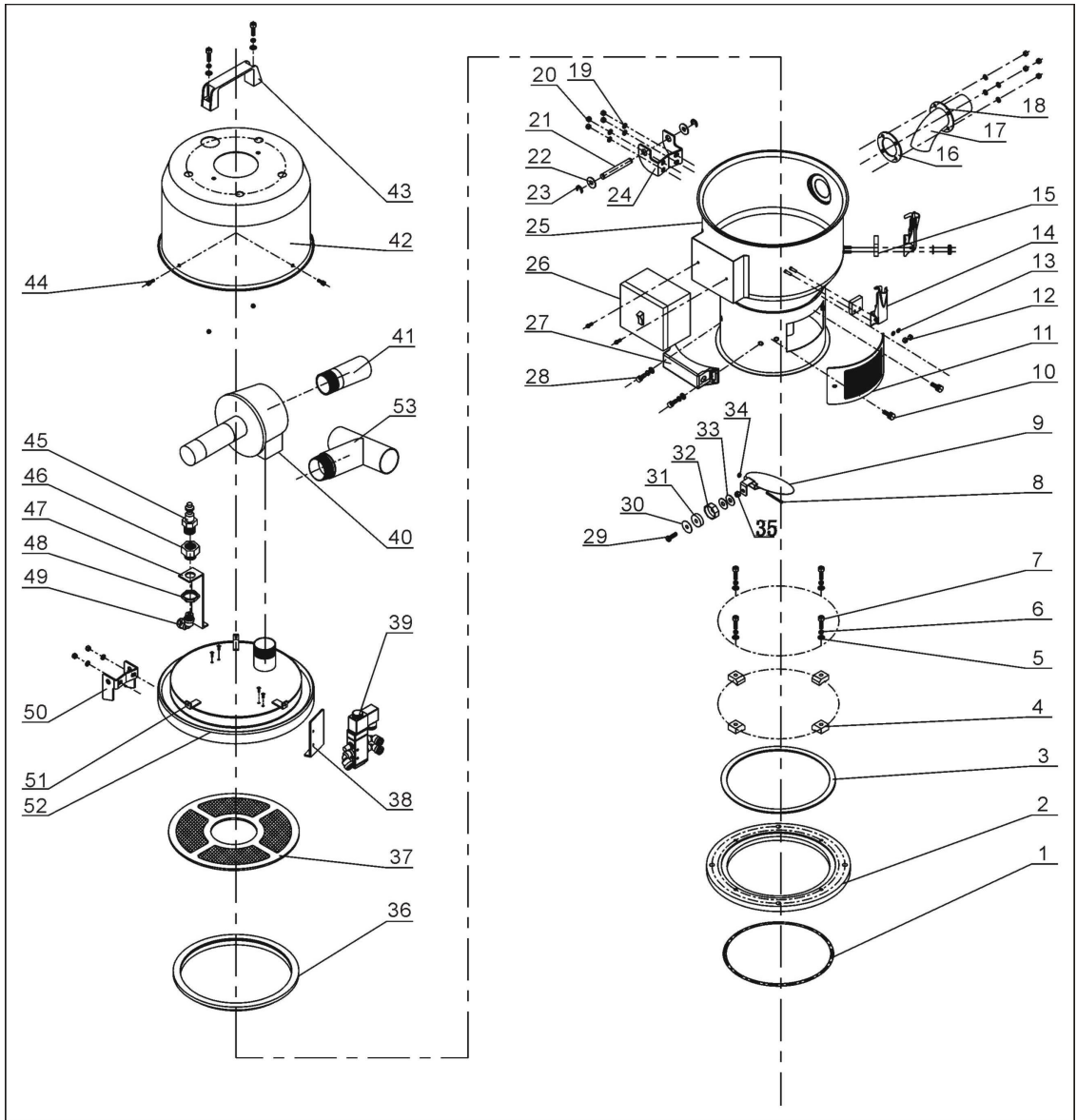
8. Parts List (SHR-3U-S)

No.	Name	Part No.	No.	Name	Part No.
1	Inner diameter of O type seal ringΦ200×5.5	YR20205500000	25	Material storage tank	-
2	Base	BW20171200010	26	Control box	BH90615000010
3	Base fastener	-	27	Sensor shell	YR40000601100
4	Pressure block	BW20000630500	28	Inner hexagon cylinder head screw M6×10	YW63061000000
5	Flat gasket 6	YW66061300000	29	Cross recess pan head screw M3×25	YW63032500000
6	Spring gasket 6	YW65006000000	30	Flat gasket 8×22	YW66082200100
7	Inner hexagon cylinder head screw M6×20	YW61062000300	31	Permanent magnet Φ21×Φ3×7	YW90213700000
8	Cross recess pan head screw M3×40	YW63034000000	32	Magnet sleeve	BH12115000010
9	Discharge port	-	33	Flat gasket 3×12	YW66031200000
10	Star knob	YR40061500000	34	Locknut M3	YW64000300000
11	Ventilation window	YR40000601000	35	Hopper fastener	YR10001500000
12	Locknut M4×0.7	YW64040700100	36	Filter screen	BL20000300120
13	Flat gasket 4	YW66040800000	37	Hopper cover	-
14	Snap hook	YW02003000400	38	Motor cover fixing base	BL21001501320
15	Snap hook pad	YR40000600800	39	Air suction pipe	-
16	Material inlet pipe	-	40	Vacuum separating valve SPDV-38	-
17	Material inlet pipe fixing plate	-	41	Locknut M6	YW64000600200
18	Material inlet pipe fastener	YR10150300000	42	Connecting nut	BH12003600410
19	Flat gasket 5	YW66051000100	43	Cross recess pan head screw M5×15	YW62051500000
20	Locknut M5	YW64000500000	44	Diaphragm valve cover	-
21	Hinge pin	BH10006003110	45	Aluminum square handle L120	BW20012000040
22	Flat gasket 8×22	YW66082200100	46	Quick connector SPC8-1/4	YW80081400000
23	E rings 6	YW66000600000	47	Connection copper head	BH12002400010
24	Down hinge	BL32000600140	48	Up hinge	BL32000600240

* means possible broken parts. ** means easy broken part. and spare backup is suggested.

Please confirm the version of manual before placing the purchase order to make sure that the item number of the spare part is in accordance with the real object.

9. Parts Drawing (SHR-6U-S)



Notes: Please refer to material list 10 for specific explanation of the Arabic numbers in parts drawing.

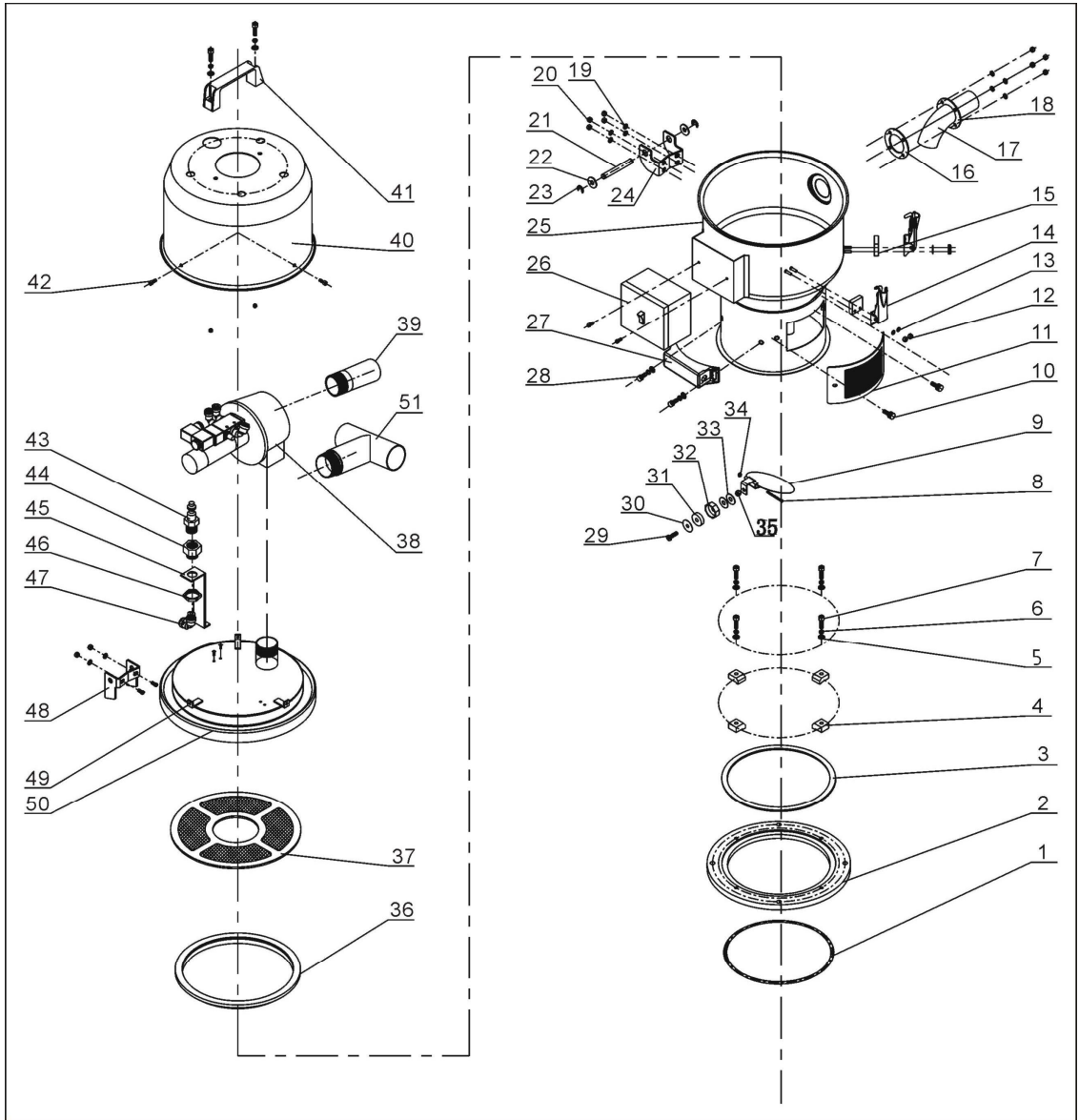
10. Parts List (SHR-6U-S)

No.	Name	Part No.	No.	Name	Part No.
1	Inner diameter of O type seal $\Phi 200 \times 5.5$	YR20205500000	28	Inner hexagon cylinder head screw M6×10	YW63061000000
2	Base	BW20171200010	29	Cross recess pan head screw M6×20	YW63062000000
3	Base fastener	-	30	Magnet cover	BL21000600120
4	Pressure block	BW20000630500	31	Permanent magnet $\Phi 21 \times \Phi 3 \times 7$	YW90257700000
5	Flat gasket 6	YW66061300000	32	Magnet sleeve	BH12000600010
6	Spring gasket 6	YW65006000000	33	Flat gasket 8×22	YW66082200100
7	Inner hexagon cylinder head screw M6×20	YW61062000200	34	Locknut M3	YW64000300000
8	Cross recess pan head screw M3×40	YW63034000000	35	Locknut M6	YW64000600200
9	Discharge plate	BL20000601820	36	Hopper fastener	YR10000300100
10	Star knob	YR40061500000	37	Filter screen	BL21000600620
11	Ventilation window	YR40000601000	38	Solenoid valve fixing plate	BL27000601120
12	Locknut M4×0.7	YW64040700100	39	Solenoid valve	YE32421000300
13	Flat gasket 4	YW66040800000	40	Diaphragm valve 1.5"	-
14	Snap hook	YW40000600800	41	Air suction pipe	BL27002401120
15	Snap hook pad	YR40000600300	42	Motor cover	BR40033000110
16	Material inlet pipe fastener	YR10150300000	43	Aluminum square handle L120	BW20012000040
17	Material inlet pipe	-	44	Cross recess pan head screw M5×15	YW62051500000
18	Material inlet pipe fixing plate	BL21000602520	45	Quick connector 3"×1/4PT	YW80031400000
19	Flat gasket 5	YW66051000100	46	Connection copper head	BH12002400010
20	Locknut M5	YW64000500000	47	Air pipe connector fixing block	BL27000601520
21	Hinge pin	BH10006003110	48	Connecting nut	BH12003600410
22	Flat gasket 8×22	YW66082200100	49	Quick connector APL8-1/4PT	YW80081400100
23	E rings 6	YW66000600000	50	Up hinge	BL32000600240
24	Down hinge	BL32000600140	51	Motor cover fixing base	BL21001501320
25	Material storage tank	-	52	Hopper cover	-
26	Control box	BH90615000010	53	T-branch air suction pipe (optional)	-
27	Sensor shell	YR40000601100			

* means possible broken parts. ** means easy broken part. and spare backup is suggested.

Please confirm the version of manual before placing the purchase order to make sure that the item number of the spare part is in accordance with the real object.

11. Parts Drawing (SHR-12U-S)



Notes: Please refer to material list 12 for specific explanation of the Arabic numbers in parts drawing.

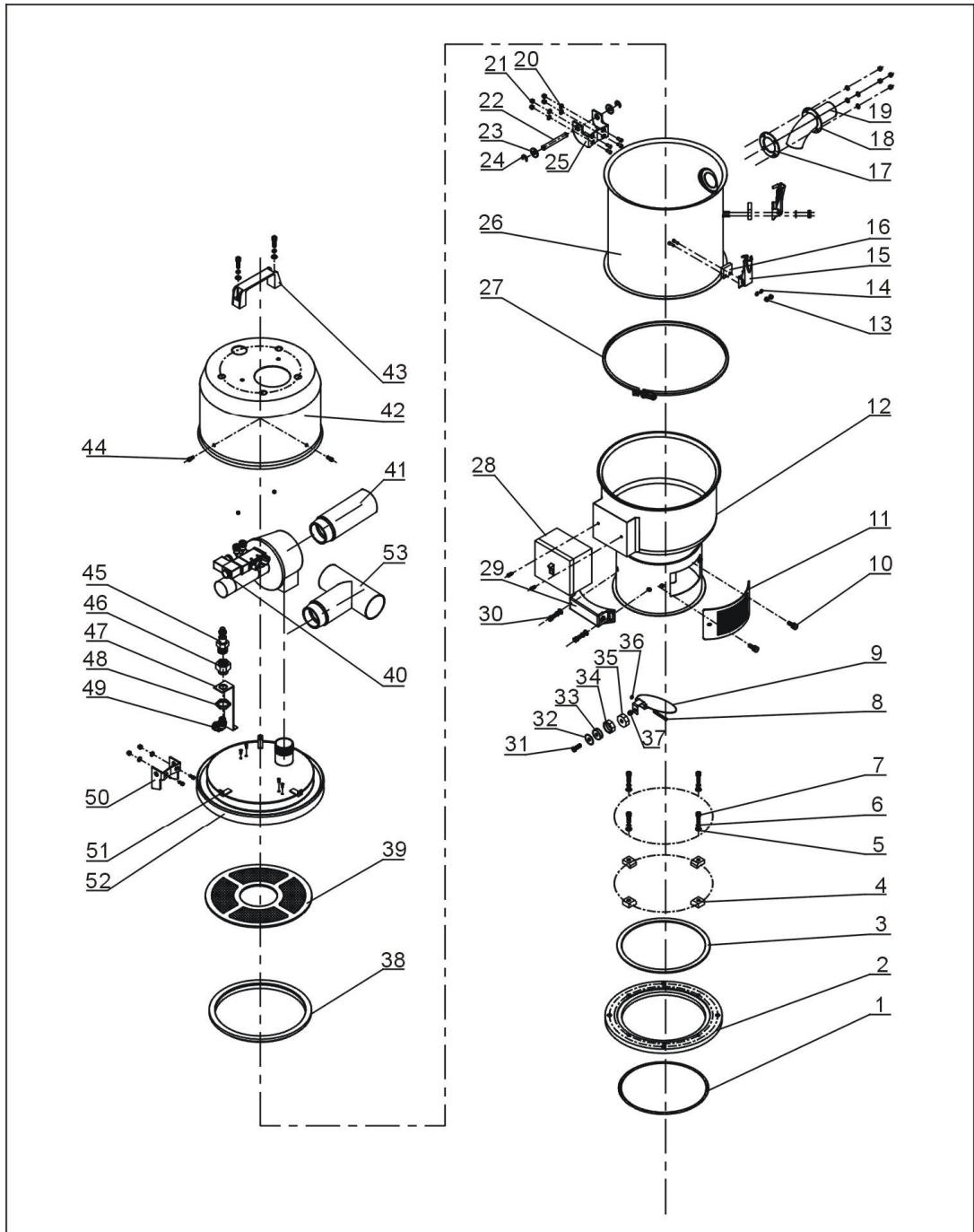
12. Parts List (SHR-12U-S)

No.	Name	Part No.	No.	Name	Part No.
1	Inner diameter of O type seal ring $\Phi 200 \times 5.5$	YR20205500000	27	Sensor shell	YR40000601100
2	Base	BW20171200010	28	Inner hexagon cylinder head screw M6×10	YW63061000000
3	Base fastener	-	29	Cross recess pan head screw M6×20	YW63062000000
4	Pressure block	BW20000630500	30	Magnet cover	BL21000600120
5	Flat gasket 6	YW66061300000	31	Permanent magnet $\Phi 21 \times \Phi 3 \times 7$	YW90257700000
6	Spring gasket 6	YW65006000000	32	Magnet sleeve	BH12000600010
7	Inner hexagon cylinder head screw M6×20	YW61062000200	33	Flat gasket 8×22	YW66082200100
8	Cross recess pan head screw M3×40	YW63034000000	34	Locknut M3	YW64000300000
9	Discharge port	BL20000601820	35	Locknut M6	YW64000600200
10	Star knob	YR40061500000	36	Hopper fastener	YR10000600200
11	Ventilation window	YR40000601000	37	Filter screen	BL21001200320
12	Locknut M4×0.7	YW64040700100	38	Diaphragm valve 1.5"	-
13	Flat gasket 4	YW66040800000	39	Air suction pipe	BL27002401120
14	Snap hook	YW02003000400	40	Motor cover	BR40036000310
15	Snap hook pad	YR40000600800	41	Aluminum square handle L120	BW20012000040
16	Material inlet pipe fastener	YR10061200000	42	Cross recess pan head screw M5×15	YW62051500000
17	Material inlet pipe	-	43	Quick connector 3"×1/4PT	YW80031400000
18	Material inlet pipe fixing plate	BL20036000320	44	Connection copper head	BH12002400010
19	Flat gasket 5	YW66051000100	45	Air pipe connector fixing block	-
20	Locknut M5	YW64000500000	46	Connecting nut	BH12003600410
21	Hinge pin	BH10006003110	47	Quick connector APL8-1/4PT	YW80081400100
22	Flat gasket 8×22	YW66082200100	48	Up hinge	BL32000600240
23	E rings 6	YW66000600000	49	Motor cover fixing base	BL21001501320
24	Down hinge	BL32000600140	50	Hopper cover	-
25	Material storage tank	-	51	T-branch air suction pipe (optional)	-
26	Control box	BH90615000010			

* means possible broken parts. ** means easy broken part. and spare backup is suggested.

Please confirm the version of manual before placing the purchase order to make sure that the item number of the spare part is in accordance with the real object.

13. Parts Drawing (SHR-24U-S)



Notes: Please refer to material list 14 for specific explanation of the Arabic numbers in parts drawing.

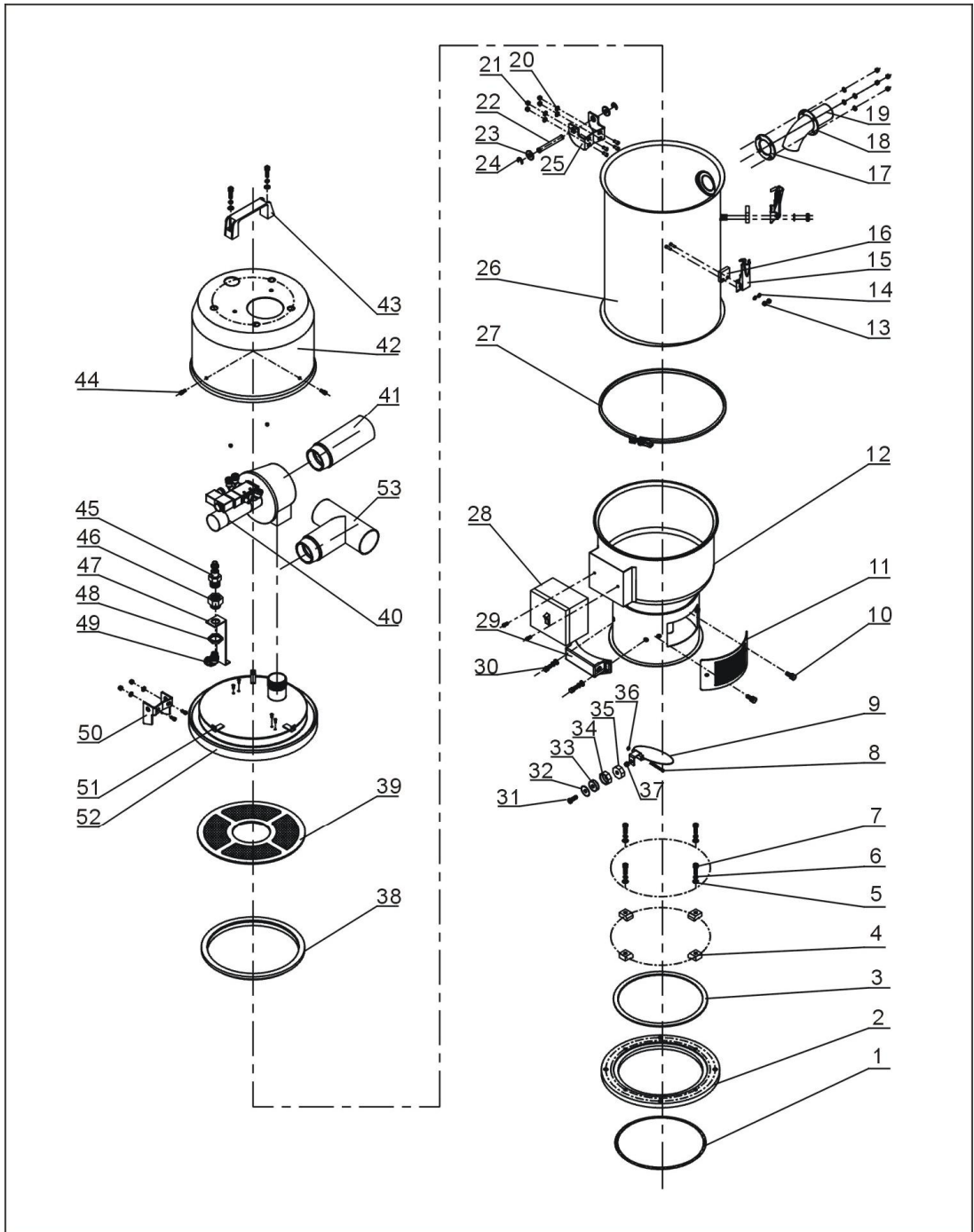
14. Parts List (SHR-24U-S)

No.	Name	Part No.	No.	Name	Part No.
1	Inner diameter of O type seal ring $\Phi 200 \times 5.5$	YR20205500000	28	Control box	BH90615000010
2	Base	BW20171200010	29	Sensor shell	YR40000601100
3	Base fastener	-	30	Inner hexagon cylinder head screw M6×10	YW63061000000
4	Pressure block	BW20000630500	31	Cross recess pan head screw M6×20	YW63062000000
5	Flat gasket 6	YW66061300000	32	Magnet cover	BL21000600120
6	Spring gasket 6	YW65006000000	33	Permanent magnet $\Phi 21 \times \Phi 3 \times 7$	YW90257700000
7	Inner hexagon cylinder head screw M6×20	YW61062000200	34	Magnet sleeve	BH12000600010
8	Cross recess pan head screw M3×40	YW63034000000	35	Flat gasket 8×22	BH10241003110
9	Discharge port	-	36	Locknut M3	YW64000300000
10	Star knob	YR40061500000	37	Locknut M6	YW64000600200
11	Ventilation window	YR40000601000	38	Hopper fastener	YR10000300100
12	Material storage tank	-	39	Filter screen	BL21001200320
13	Locknut M4×0.7	YW64040700100	40	Diaphragm valve 2"	-
14	Flat gasket 4	YW66040800000	41	Air suction pipe	-
15	Snap hook	YW02003000400	42	Motor cover	BR40036000310
16	Snap hook pad	YR40000600800	43	Aluminum square handle L120	BW20012000040
17	Material inlet pipe fastener	YR10150300000	44	Cross recess pan head screw M5×15	YW62051500000
18	Material inlet pipe fixing plate	-	45	Quick connector 3"×1/4PT	YW80031400000
19	Material inlet pipe	-	46	Connection copper head	BH12002400010
20	Flat gasket 5	YW66051000100	47	Air pipe connector fixing block	-
21	Locknut M5	YW64000500000	48	Connecting nut	BH12003600410
22	Hinge pin	BH10006003110	49	Quick connector APL8-1/4PT	YW80081400100
23	Flat gasket 8×22	YW66082200100	50	Up hinge	BL32000600240
24	E rings 6	YW66000600000	51	Motor cover fixing base	BL21001501320
25	Down hinge	BL32000600140	52	Hopper cover	-
26	Enlarged material tank	-	53	T-branch air suction pipe (optional)	-
27	Pipe clamp	-			

* means possible broken parts. ** means easy broken part. and spare backup is suggested.

Please confirm the version of manual before placing the purchase order to make sure that the item number of the spare part is in accordance with the real object.

15. Parts Drawing (SHR-36U-S)



Notes: Please refer to material list 16 for specific explanation of the Arabic numbers in parts drawing.

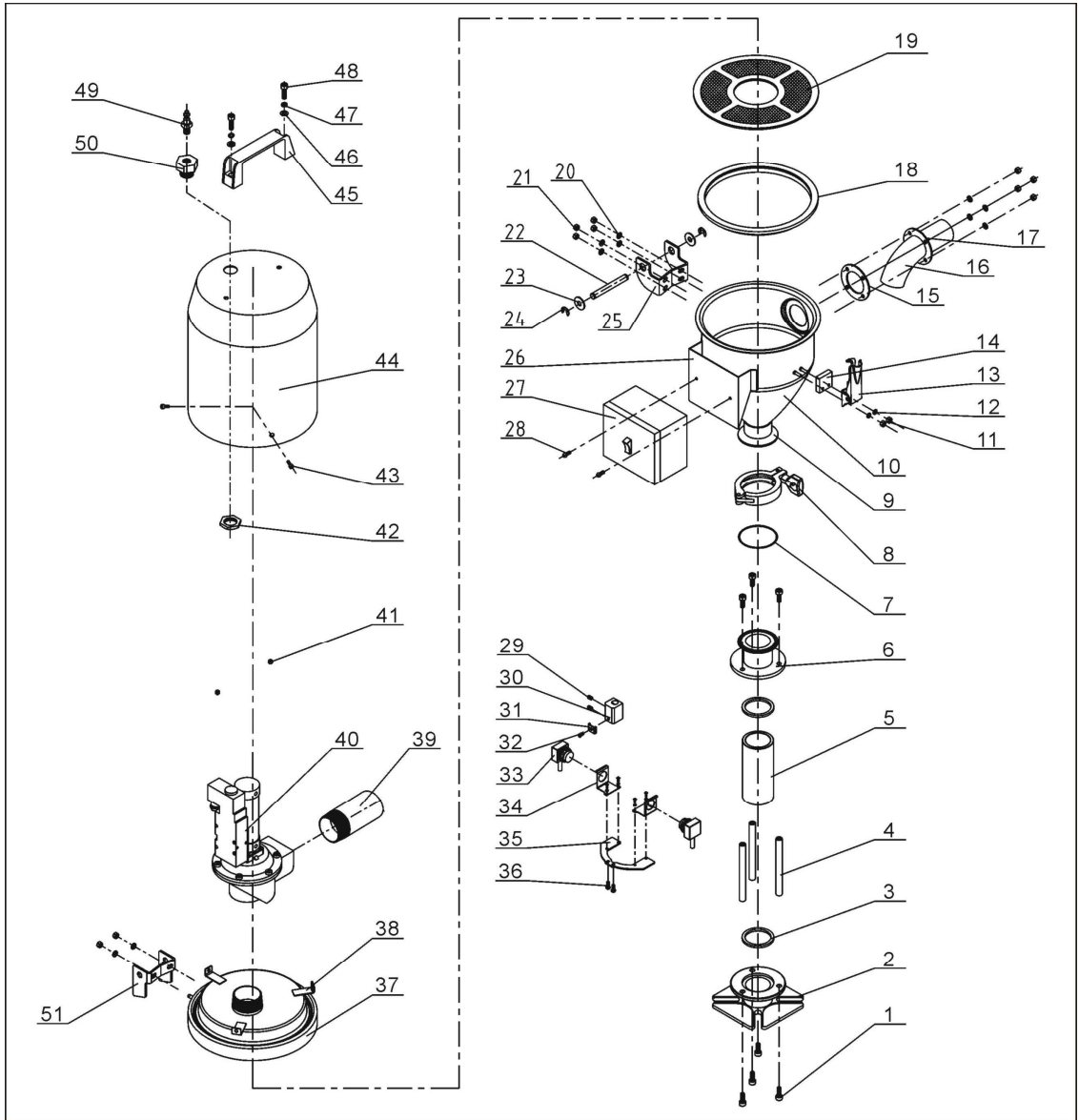
16. Parts List (SHR-36U-S)

No.	Name	Part No.	No.	Name	Part No.
1	Inner diameter of O type seal ring $\Phi 200 \times 5.5$	YR20205500000	28	Control box	BH90615000010
2	Base	BW20171200010	29	Sensor shell	YR40000601100
3	Base fastener	-	30	Inner hexagon cylinder head screw M6×10	YW63061000000
4	Pressure block	BW20000630500	31	Cross recess pan head screw M6×20	YW63062000000
5	Flat gasket 6	YW66061300000	32	Magnet cover	BL21000600120
6	Spring gasket 6	YW65006000000	33	Permanent magnet $\Phi 21 \times \Phi 3 \times 7$	YW90257700000
7	Inner hexagon cylinder head screw M6×20	YW61062000200	34	Magnet sleeve	BH12000600010
8	Cross recess pan head screw M3×40	YW63034000000	35	With heavy duty SHR-24U-A-10	BH10241003110
9	Discharge plate	-	36	Locknut M3	YW64000300000
10	Star knob	YR40061500000	37	Locknut M6	YW64000600200
11	Ventilation window	YR40000601000	38	Hopper fastener	YR10000300100
12	Material storage tank	-	39	Filter screen	BL21001200320
13	Locknut M4×0.7	YW64040700100	40	Diaphragm valve 2"	-
14	Flat gasket 4	YW66040800000	41	Air suction pipe	-
15	Snap hook	YW02003000400	42	Motor cover	BR40036000310
16	Snap hook pad	YR40000600800	43	Aluminum square handle L120	BW20012000040
17	Material inlet pipe fastener	YR10243600000	44	Cross recess pan head screw M5×15	YW62051500000
18	Material inlet pipe fixing plate	-	45	Quick connector 3"×1/4PT	YW80031400000
19	Material inlet pipe	-	46	Connection copper head	BH12002400010
20	Flat gasket 5	YW66051000100	47	Air pipe connector fixing block	-
21	Locknut M5	YW64000500000	48	Connecting nut	BH12003600410
22	Hinge pin	BH10006003110	49	Quick connector APL8-1/4PT	YW80081400100
23	Flat gasket 8×22	YW66082200100	50	Up hinge	BL32000600240
24	E rings 6	YW66000600000	51	Motor cover fixing base	BL21001501320
25	Down hinge	BL32000600140	52	Hopper cover	-
26	Enlarged material tank	-	53	T-branch air suction pipe (optional)	-
27	Pipe clamp	-			

* means possible broken parts.** means easy broken part. and spare backup is suggested.

Please confirm the version of manual before placing the purchase order to make sure that the item number of the spare part is in accordance with the real object.

17. Parts Drawing (SHR-3U-ES)



Notes: Please refer to material list 18 for specific explanation of the Arabic numbers in parts drawing.

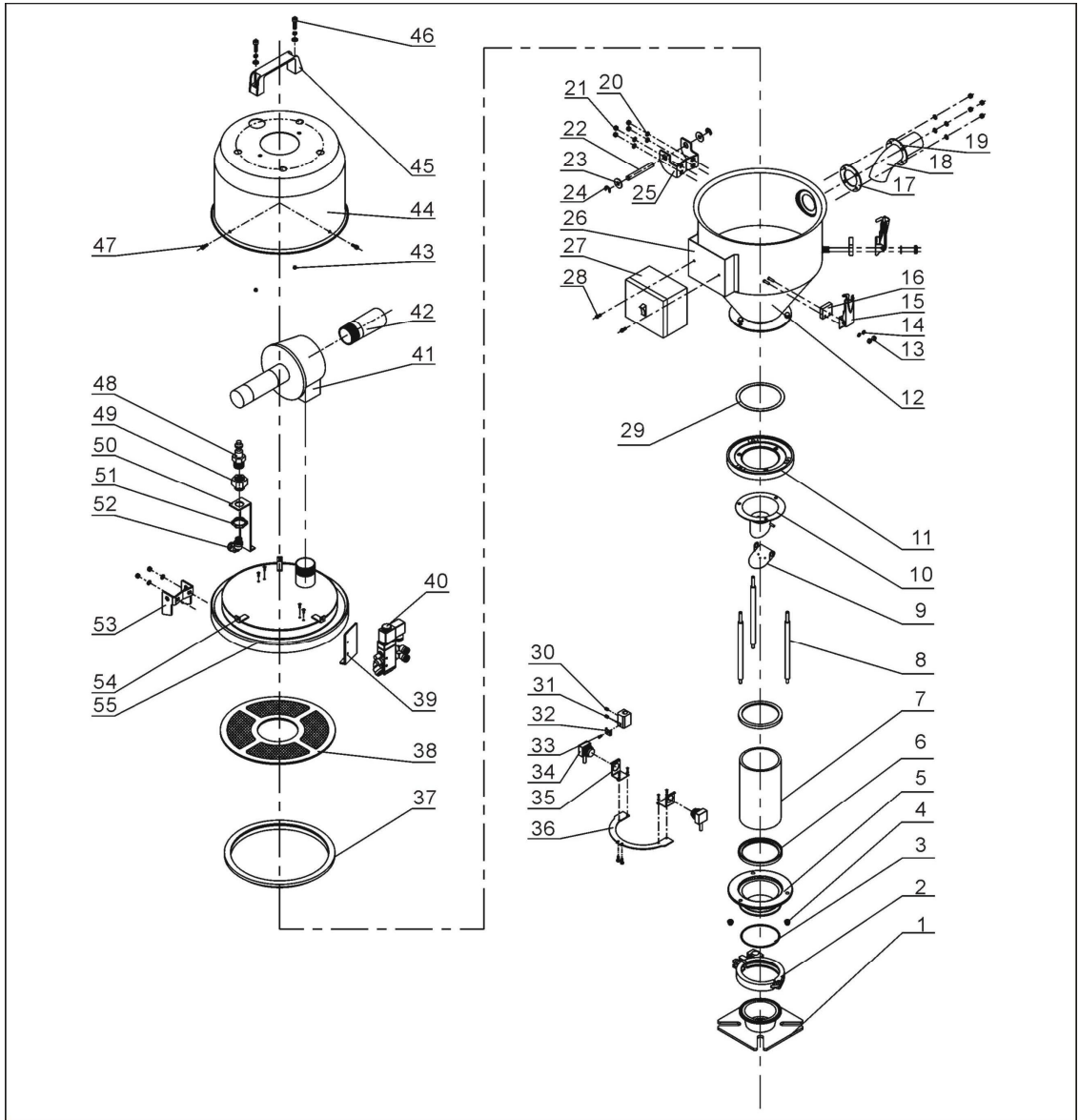
18. Parts List (SHR-3U-ES)

No.	Name	Part No.	No.	Name	Part No.
1	Inner hexagon cylinder head screw M6×15	YW61061600300	27	Control box	BH90615000010
2	Down flange of glass pipe	BW32000300010	28	Cross recess pan head screw M4×10	YW63041000000
3	Glass pipe fastener	YR10000300000	29	Set screw M4×5	YW68004500000
4	Flange connection shaft	BH11030400540	30	Photosensor fixing base	BL90001000120
5	Glass pipe Φ50.5×Φ40.5×111	YW70504000000	31	Photosensor cable pressure block	YW31616200000
6	Up flange of glass pipe	BW32000300210	32	Cross recess pan head screw M4×10	YW63041000000
7	Base fastener	YR10000300200	33	Photosensor FOTEK T18-3MN-PE	YE15143900000
8	2"Stainless steel pipe clamp	YW07000200000	34	Photosensor mounting plate	-
9	Hopper flange	-	35	Photosensor fixing plate	-
10	Material storage tank	-	36	Cross recess pan head screw M4×10	YW63041000000
11	Locknut M4×0.7	YW64040700100	37	Hopper cover	-
12	Flat gasket 4	YW66040800000	38	Motor cover fixing base	BL21001501320
13	Snap hook	YW02003000400	39	Air suction pipe	-
14	Snap hook pad	YR40000600800	40	Vacuum separating valve SPDV-38	-
15	Material inlet pipe fastener	YR10150300000	41	Locknut M6	YW64000600200
16	Material inlet pipe	-	42	Connecting nut	BH12003600410
17	Material inlet pipe fixing plate	-	43	Cross recess pan head screw M5×15	YW62051500000
18	Hopper fastener	YR10001500000	44	Diaphragm valve cover	-
19	Filter screen	BL20000300120	45	Aluminum square handle L120	BW20012000040
20	Flat gasket 5	YW66051000100	46	Flat gasket 6	YW66061300000
21	Locknut M5	YW64000500000	47	Spring gasket 6	YW65006000000
22	Hinge pin	BH10006003110	48	Inner hexagon cylinder head screw M6×20	YW61062000300
23	Flat gasket 8×22	YW66082200100	49	Quick connector SPC8-1/4	YW80081400000
24	E rings 6	YW66000600000	50	Connection copper head	BH12002400010
25	Down hinge	BL32000600140	51	Up hinge	BL32000600240
26	Control box base	-			

* means possible broken parts. ** means easy broken part. and spare backup is suggested.

Please confirm the version of manual before placing the purchase order to make sure that the item number of the spare part is in accordance with the real object.

19. Parts Drawing (SHR-6U-ES)



Notes: Please refer to material list 20 for specific explanation of the Arabic numbers in parts drawing.

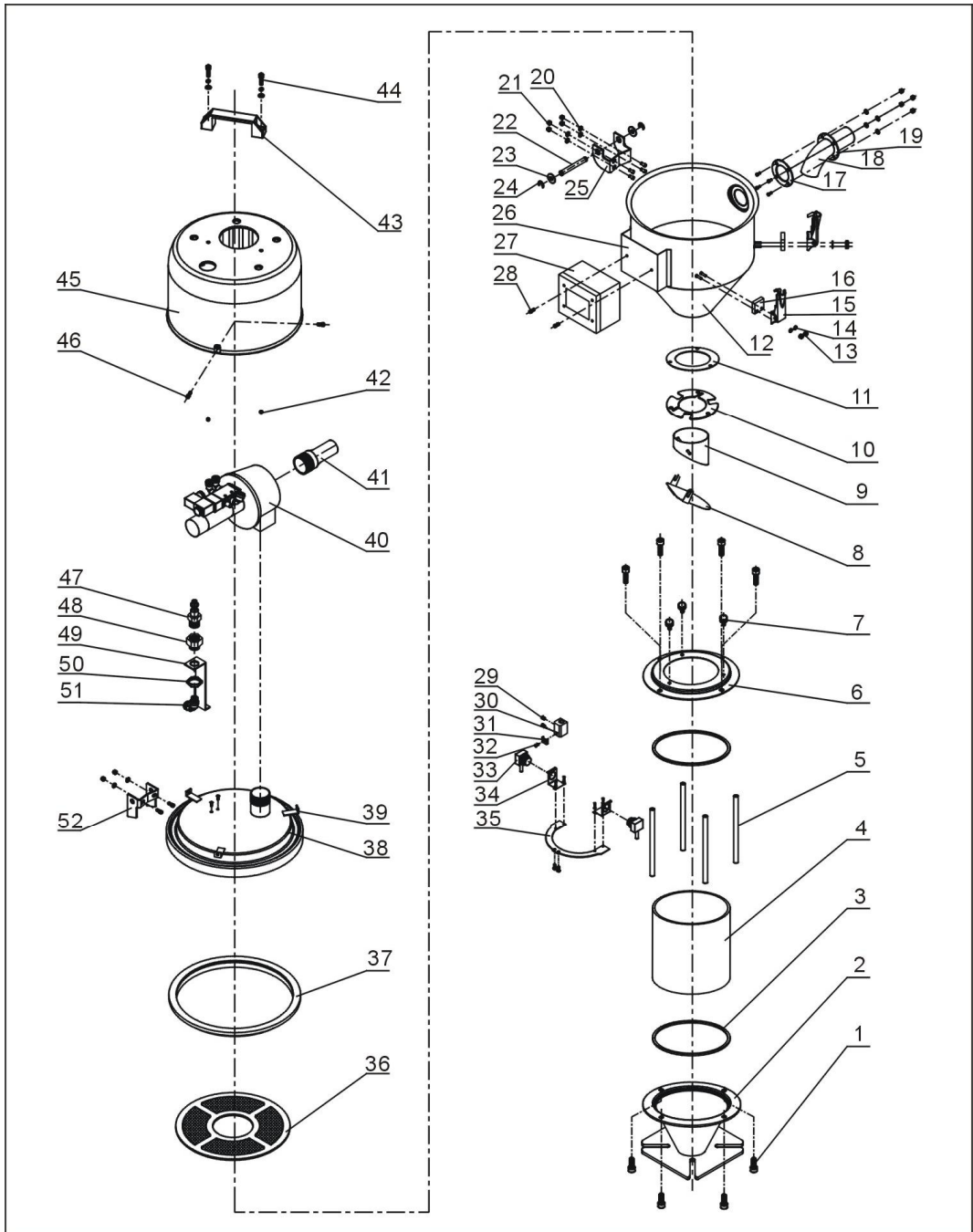
20. Parts List (SHR-6U-ES)

No.	Name	Part No.	No.	Name	Part No.
1	Mounting flange	BH13060100040	29	Cross recess pan head screw M4×6	YR10060100000
2	3" Stainless steel pipe clamp	YW07000300000	30	Set screw M4×5	YW68004500000
3	O type seal ring	YR20802600000	31	Photosensor fixing base	BL90001000120
4	Cap nut M6	YW64006000100	32	Photosensor cable pressure block	YW31616200000
5	Down flange of glass pipe	BH13062600010	33	Cross recess pan head screw M4×10	YW63041000000
6	Glass pipe fastener	YR10060200000	34	Photosensor	YE15143900000
7	Glass pipe	YW70317000600	35	Photosensor mounting plate	-
8	Flange connection shaft	BH10000600640	36	Photosensor fixing plate	BL21061200020
9	Non-return flap	-	37	Hopper fastener	YR10000300100
10	Discharge port	BW32060300610	38	Filter screen	BL21000600620
11	Up flange of glass pipe	BH13062400010	39	Solenoid valve fixing plate	-
12	Material storage tank	-	40	Solenoid valve	YE32421000300
13	Locknut M4×0.7	YW64040700100	41	Diaphragm valve 1.5"	-
14	Flat gasket 4	YW66040800000	42	Air suction pipe	-
15	Snap hook	YW02003000400	43	Locknut M6	YW64000600200
16	Pad	YR40000600800	44	Motor cover	BR40033000110
17	Material inlet pipe fastener	YR10150300000	45	Aluminum square handle L120	BW20012000040
18	Material inlet pipe	-	46	Inner hexagon cylinder head screw M6×20	YW61062000300
19	Material inlet pipe fixing plate	-	47	Cross recess pan head screw M5×15	YW62051500000
20	Flat gasket 5	YW66051000100	48	Quick connector 3" ×1/4PT	YW80031400000
21	Locknut M5	YW64000500000	49	Connection copper head	BH12002400010
22	Hinge pin	BH10006003110	50	Air pipe connector fixing block	-
23	Flat gasket 8×22	YW66082200100	51	Connecting nut	BH12003600410
24	E rings 6	YW66000600000	52	Quick connector	YW80081400100
25	Down hinge	BL32000600140	53	Up hinge	BL32000600240
26	Control box base	-	54	Motor cover fixing base	BL21001501320
27	Control box	BH90615000010	55	Hopper cover	-
28	Hopper base plate fastener	-			

* means possible broken parts. ** means easy broken part. and spare backup is suggested.

Please confirm the version of manual before placing the purchase order to make sure that the item number of the spare part is in accordance with the real object.

21. Parts Drawing (SHR-12U-ES)



Notes: Please refer to material list 22 for specific explanation of the Arabic numbers in parts drawing.

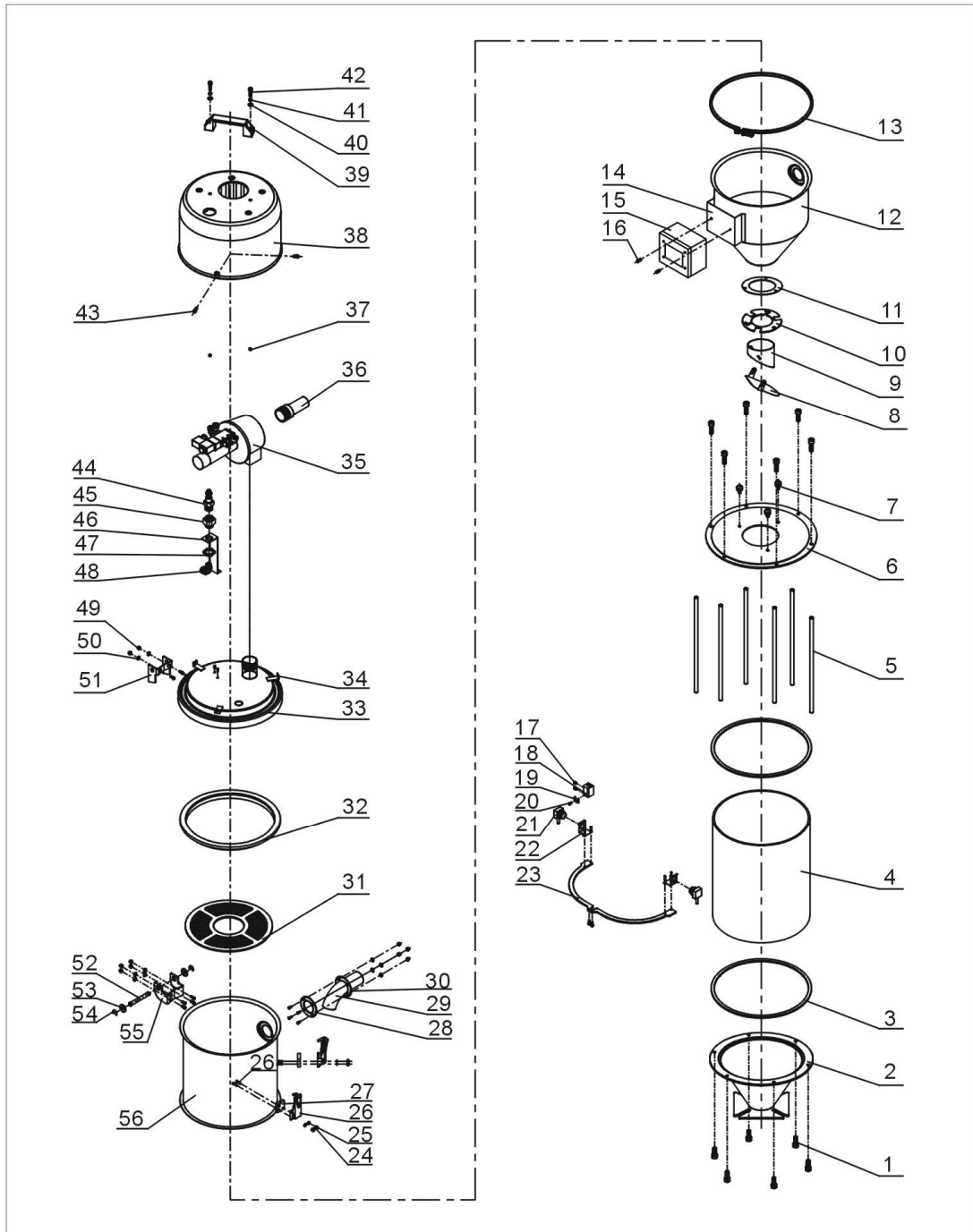
22. Parts List (SHR-12U-ES)

No.	Name	Part No.	No.	Name	Part No.
1	Inner hexagon cylindrical screw GB/T 70.1M6x16 -longzine	YW61061601200	27	Anti-proof junction box WDZH-100	BH90615000010
2	Lower flange of glass tube	YW32001200000	28	Cross socket head cap screw GB/T-818 M4X6 -longzine	YW63040600000
3	Glass tube fastener	YR10001200100	29	Inner hexagon socket set screw with flat point GB/T 77M4x5-longzine	YW68004500000
4	Glass tubeΦ170×Φ160×170	YW70171700000	30	Photosensor fixed base	BL90001000120
5	Flange connecting rod	BH10101600210	31	Photosensor cable pressure block	YW31616200000
6	Upper flange of glass tube	YR32001200100	32	cross socket head cap screw M4x12GB/T818-longzine	YW63041200100
7	Mnual tighten up screw M6×15	YW69621600000	33	Photosensor FOTEK T18-3MN-PE	YE15143900000
8	Non-return valve	BL21001200520	34	Photosensor installation block	-
9	Discharging port	SHR-12U-E-A-01	35	Photosensor fixed block	BL21001200120
10	Vent flange	SHR-12U-E-A-09	36	Filter screen	BL21001200320
11	Hopper flange	SHR-12U-E-A-06	37	Hopper fastener	YR10000600200
12	Material storage hopper	SHR-12U-ES-A-01	38	Hopper cover	SHR-12U-S-A-09
13	Non metal insert of hexagon locknut GB/T889.1M4	YW64040700100	39	Motor fixed base	BL21001501320
14	Flat gasket A GB/T97.1 4 -longzine	YW66040800000	40	Diaphragm valve 1.5*(24VDC)	SHR-12U-S-ALL-15
15	Snap adjustable	YW02003000400	41	Air suction pipe	SHR-12U-S-A-13
16	Snap hook block SAL-6U	YR40000600800	42	Hexagon nut M6 anti-loose	YW64000600200
17	Fixed piece of material inlet pipe	BL20036000320	43	Aluminum square handle L120	BW20012000040
18	Material inlet pipe	BL32000600020	44	Inner hexagon cylindrical screw GB/T70.1 M6X20-12.9 -longzine	YW61062000300
19	Material inlet pipe fastener	YR10000600300	45	Motor cover	BR40036000310
20	Flat gasket 5x12x1 (SUS202)	YW66051200000	46	Cross recessed raised countersunk head screw JIS1111 M5X16-longzine	BL21001200320
21	Hexagon nut M5 anti-loose	YW64000500000	47	Galvanized air pipe connector 3"x1/4PT	YW80031400000
22	Hinge pin	BH10006003110	48	Connection copper head	BH12002400010
23	Big gasket CGB/T968 (8.4X24X2) -longzine	YW66082200100	49	Air pipe connector fixing block	-
24	E rings GB/T896	YW66000600000	50	Connection nut	BH12003600410
25	Lower hinge	BL32000600140	51	L screw connector APL8-02 1/4-ø8 (Airtac)	YW80081400100
26	Control box base	-	52	Lower hinge	BL32000600240

* means possible broken parts. ** means easy broken part. and spare backup is suggested.

Please confirm the version of manual before placing the purchase order to make sure that the item number of the spare part is in accordance with the real object.

23. Parts Drawing (SHR-24U-ES)



Notes: Please refer to material list 24 for specific explanation of the Arabic numbers in parts drawing.

24. Parts List (SHR-24U-ES)

No.	Name	Part No.	No.	Name	Part No.
1	Inner hexagon cylinder head screw GB/T 70.1M6x16 -longzine	YW61061601200	29	Material inlet pipe	SHR-24U-A-03
2	Lower flange of glass tube	SHR-24U-E-A-10	30	Material inlet pipe fastener	YR10243600000
3	Glass tube fastener	YR10001200100	31	Filter screen	BL21001200320
4	Glass tube Φ280×Φ270×340	YW70282700000	32	Hopper fastener	YR10000300200
5	Flange connecting rod	BH10103300040	33	Hopper cover	SHR-36U-S-A-01
6	Upper flange of glass tube	SHR-24U-E-A-11	34	Motor cover fixing base	BL21001501320
7	Mnual tighten up screw M6×15	YW69621600000	35	Diaphragm valve 2" (24VDC)	SHR-24U-S-ALL-09
8	Non-return valve	BL21001200520	36	Air suction pipe	SHR-12U-S-A-13
9	Discharging port	SHR-12U-E-A-01	37	Hexagon nut M6 anti-loose	YW64000600200
10	Vent flange	SHR-12U-E-A-09	38	Motor cover	BR40036000310
11	Hopper flange	SHR-12U-E-A-06	39	Aluminum square handle L120	BW20012000040
12	Material storage hopper	SHR-12U-E-A-12	40	Inner hexagon cylinder head screw GB/T70.1 M6X20-12.9 -longzine	YW61062000300
13	pipe clamp	SAL-12U-A-04	41	Flat gasket A GB/T97.1 6-longzine	YW66061300000
14	Control box base	SHR-12U-S-A-10	42	Standard spring washer GB/T 93 6-A2-70(SUS)	YW65006000000
15	Anti-proof junction box WDJH-100	BH90615000010	43	Cross recessed raised countersunk head screw JIS1111 M5X16 -longzine	BL21001200320
16	Cross socket head cap screw GB/T-818 M4X6 -longzine	YW63040600000	44	Galvanized air pipe connector 3"x1/4PT	YW80031400000
17	Inner hexagon socket set screw with flat point GB/T 77M4x5 -longzine	YW68004500000	45	Connection copper head	BH12002400010
18	Photosensor fixed base	BL90001000120	46	Air pipe connector fixing block	-
19	Photosensor cable pressure block	YW31616200000	47	Connecting nut	BH12003600410
20	Cross socket head cap screw M4x12GB/T818 -longzine	YW63041200100	48	L screw connector APL8-02 1/4-8(Airtac)	YW80081400100
21	Photosensor FOTEK T18-3MN-PE	YE15143900000	49	Hexagon nut M5 anti-loose	YW64000500000
22	Photosensor installation block	-	50	Flat gasket 5x12x1(SUS202)	YW66051200000
23	Photosensor fixed block	BL21001200120	51	Up hinge	BL32000600240
24	Non metal insert of hexagon locknut GB/T889.1M4	YW64040700100	52	Hinge pin	BH10006003110
25	Flat gasket A GB/T97.1 4 -longzine	YW66040800000	53	Big gasket C GB/T968(8.4X24X2) -longzine	YW66082200100
26	Snap adjustable	YW02003000400	54	E rings GB/T896	YW66000600000
27	Snap hook block SAL-6U	YR40000600800	55	Down hinge	BL32000600140
28	Material inlet pipe fixing plate	BL27002401720	56	Large size hopper	SHR-24U-S-A-03

* means possible broken parts. ** means easy broken part. and spare backup is suggested.

Please confirm the version of manual before placing the purchase order to make sure that the item number of the spare part is in accordance with the real object.