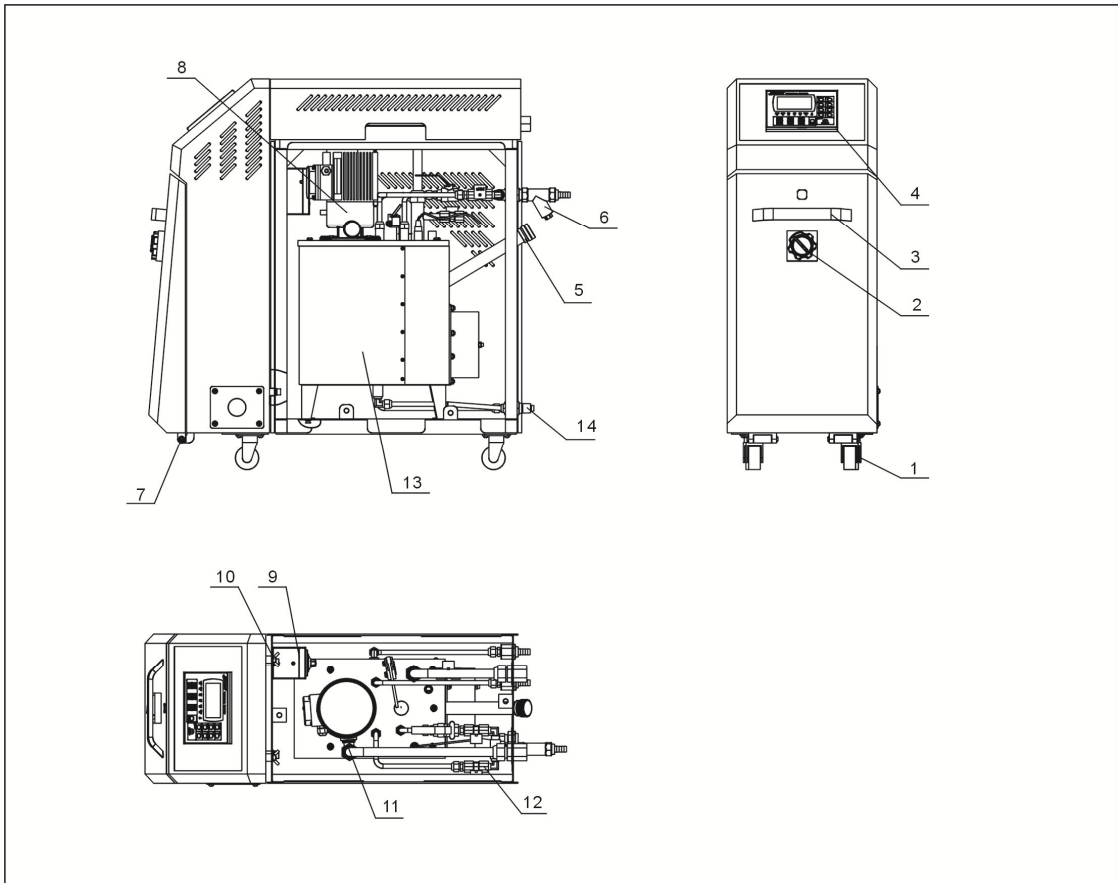


## 1. Assembly Drawing (STM-607/907W/O)



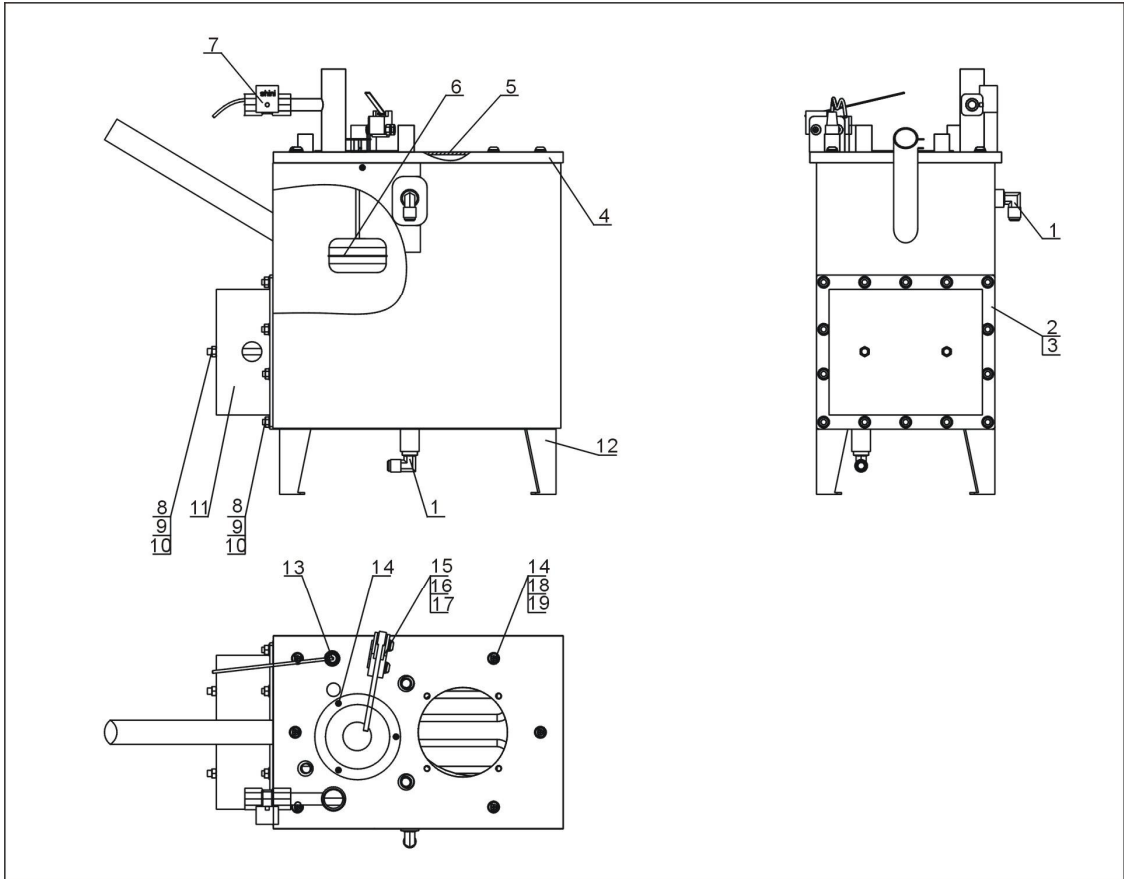
Remarks: Please refer to material list 2 for specific explanation of the arabic numbers in parts drawing.

## 2. Parts List (STM-607/907W/O)

No.	Name	Parts No.	No.	Name	Parts No.
1	Universal wheel 2"	YW03000200000	8	Vertical water pump VP-55	BM20005500150
2	Main power switch	YE10021160000	9	EGO assembly *	BH90115000050
3	Door plank aluminum handle 6609(Ya Xuan)	YE10021160000	10	Butterfly screw M8 × 15	YW69081500000
4	Han Rong Controller MT100-01`	YE81100010000	11	Flon pipe connector 3/4"PT × 3/4"H L type	YW04030400000
5	Aluminium oil cap 3/4PT blue-coat plating	BH12030403040	12	Water-refill connector	-
6	Y-type water strainer 1/2"	YW57010200000	13	Oil/Water tank	-
7	Big hinge CL219-1	YW60061000000	14	Water drainage connector	-

Please confirm the version of manual before placing the purchase order to guarantee that the item number of the spare part is in accordance with the real object.

### 3. Oil/water Tank Assembly(STM-607W/O)

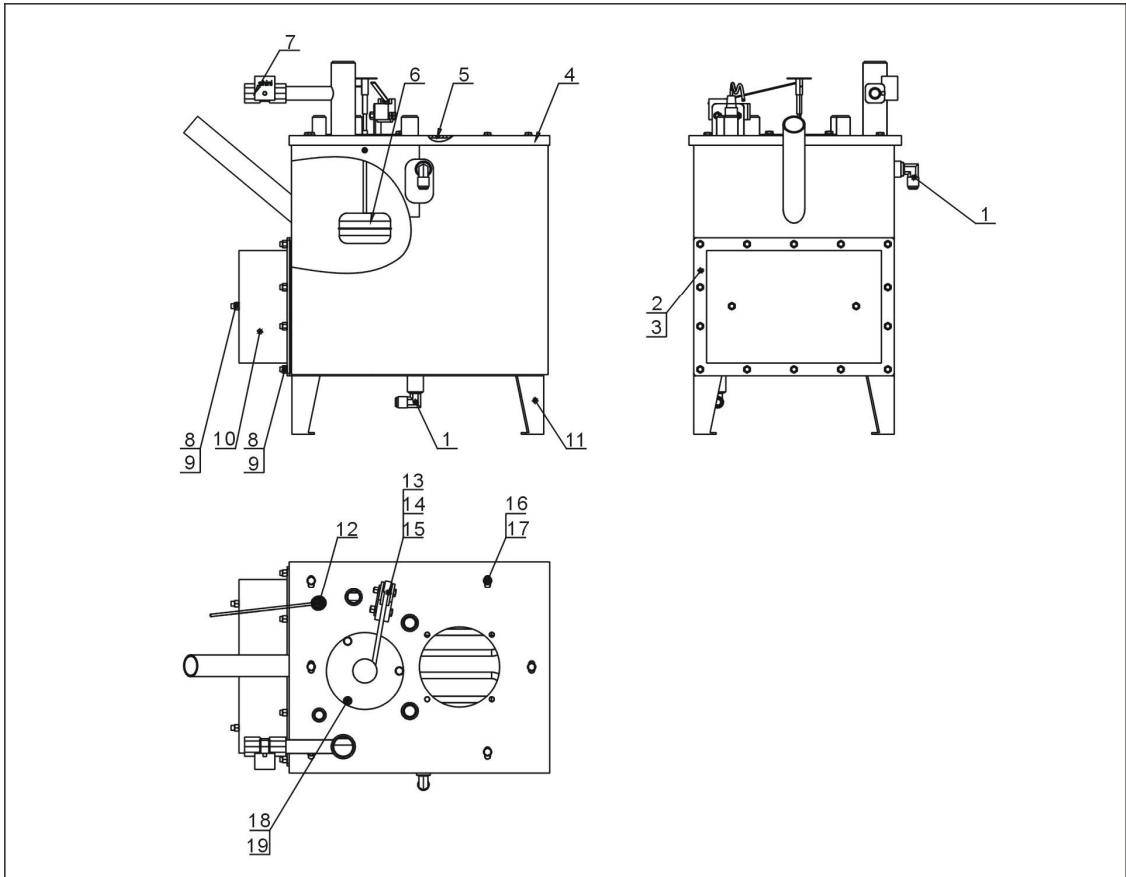


Remarks: Please refer to material list 4 for specific explanation of the arabic numbers in parts drawing.

### 4. Oil/water Tank Parts List (STM-607W/O)

No.	Name	Parts No.	No.	Name	Parts No.
1	Teflon pipe connector 3/8"PT × 3/8"H L	YW04030800300	11	Heating pipe cover	-
2	Pipe heater assembly drawing	-	12	Oil (water) case	-
3	Pipe heater mouting plate pad**	YR10607560000	13	Thermocouple	BE90100000050
4	Oil (water) tank cover plate assembly	-	14	Hexagon head screw M5	YW60052500000
5	Fastener	-	15	Microswitch * LXW5-1124 length 120mm	YE14152400000
6	Ball valve	-	16	Nut M5	YW64000600000
7	3/8" solenoid valve (Kai Ling) *	YE32382400000	17	Lentil headed screw M5x30	YW60530000000
8	Nut M6	YW64000600300	18	Flat 5	YW66051300000
9	Flat 6	YW66061600000	19	Spring washer	YW65005200000
10	Spring washer M6	YW65006000100			

## 5. Oil/water Tank Assembly (STM-907W/O)

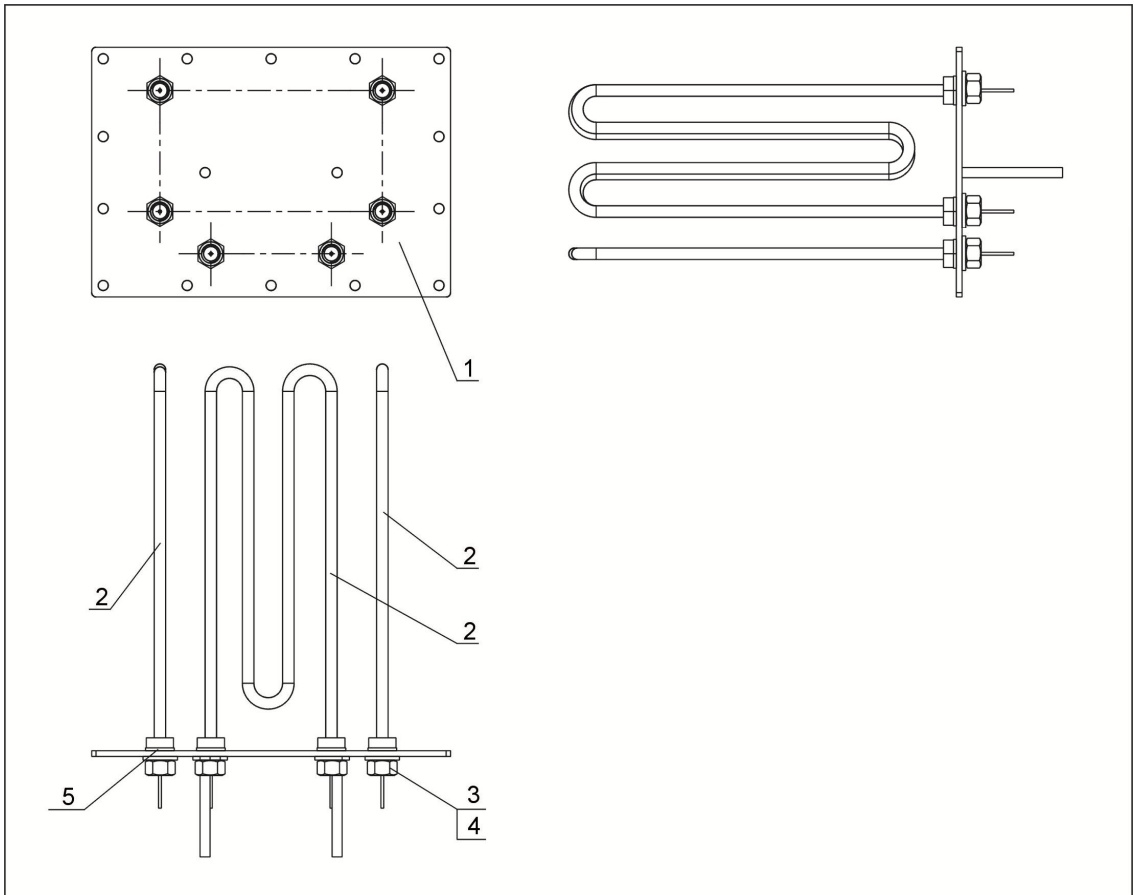


Remarks: Please refer to material list 6 for specific explanation of the arabic numbers in parts drawing.

## 6. Oil/water Tank Parts List (STM-907W/O)

No.	Name	Parts No.	No.	Name	Parts No.
1	L type teflon pipe connection 3/8"PT × 3/8"H	YW04030800300	11	Oil (water) case	-
2	Pipe heater assembly drawing	-	12	Thermocouple	BE90100000050
3	Pipe heater mouting plate pad**	YR10607560000	13	Microswitch LXW5-1124 length 120mm *	YE14152400000
4	Oil (water) tank cover plate assembly	-	14	Nut M5	YW64000600000
5	Fastener	-	15	Lentil headed screw M5x30	YW60530000000
6	Ball valve	-	16	Hexagon head screw M5x25	YW60052500000
7	3/8" solenoid valve (Kai Ling) *	YE32382400000	17	Flat gasket 5x13x0.8	YW66051300000
8	Nut M6	YW64000600300	18	Lentil headed screw M5x20	YW62052000000
9	Flat 6	YW66061600000	19	Flat gasket 5x10x0.8	YW66051000000
10	Heating pipe cover	-			

## 7. Pipe Heater Assembly Drawing (STM-607W/O)



Remarks: Please refer to material list 8 for specific explanation of the arabic numbers in parts drawing.

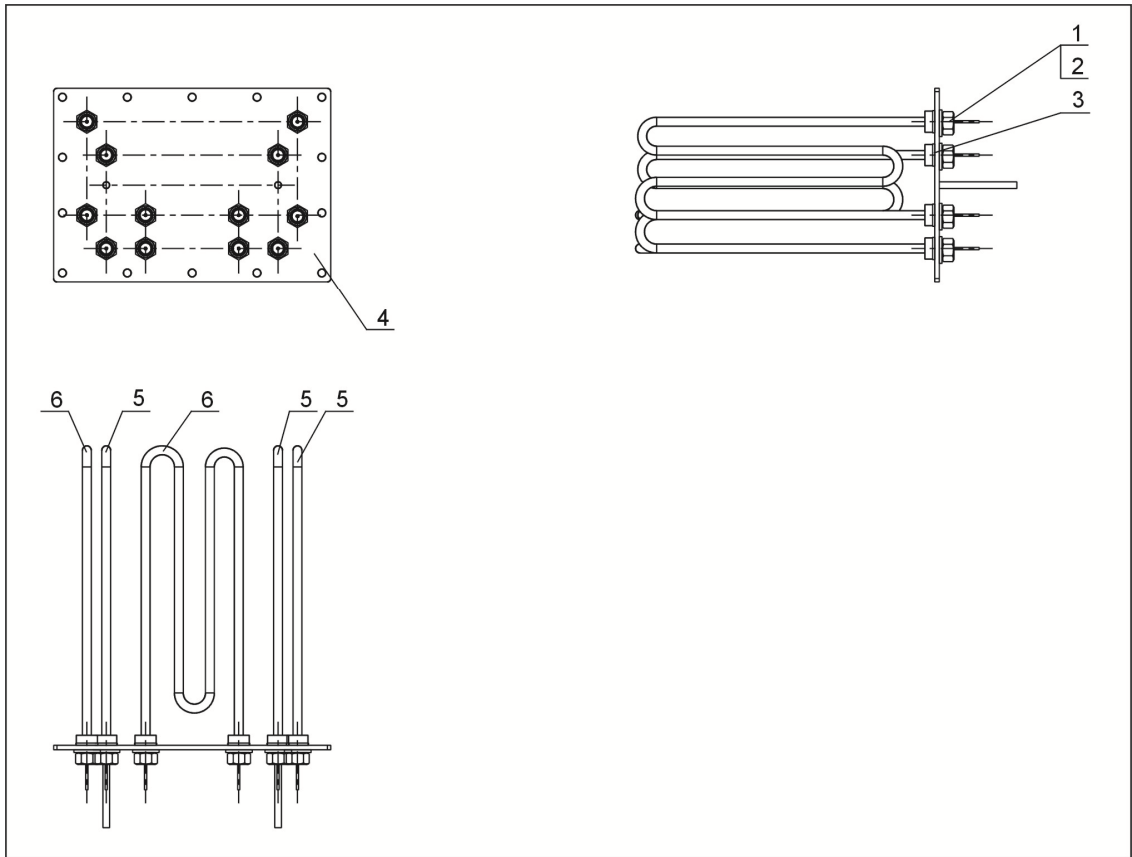
## 8. Pipe Heater Parts List (STM-607W/O)

No.	Name	Parts No.
1	Pipe heater mounting plate	-
2	Pipe heater	BH70060700350
3	Pipe heater nut	YW09001100300
4	Flat washer M12	YW66163000000
5	Pipe heater graphite washer**	YR20607240000

\* means possible broken parts. \*\* means easy broken part. and spare backup is suggested.

Please confirm the version of manual before placing the purchase order to guarantee that the item number of the spare part is in accordance with the real object.

## 9. Pipe Heater Assembly Drawing (STM-907W/O)



Remarks: Please refer to material list 10 for specific explanation of the arabic numbers in parts drawing.

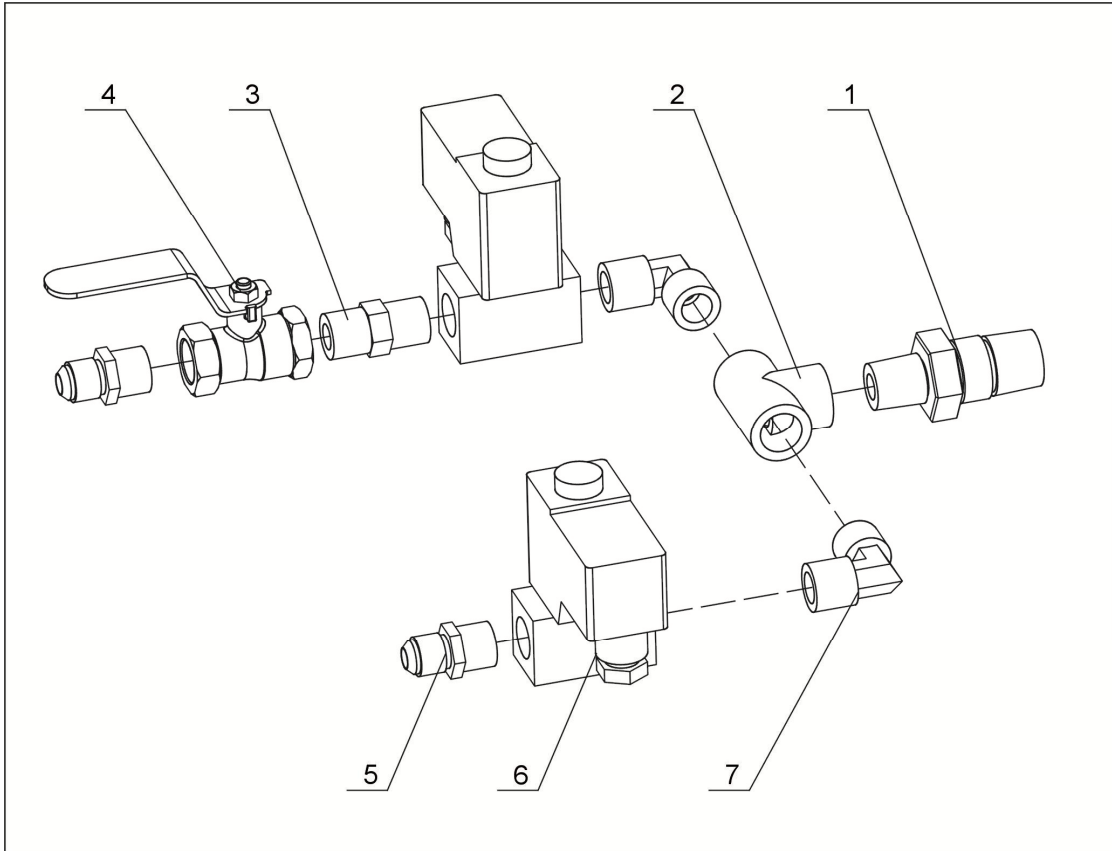
## 10. Pipe Heater Parts List (STM-907W/O)

No.	Name	Parts No.
1	Pipe heater nut	BH10060702010
2	Flat washer 12	YW66122400000
3	Pipe heater graphite washer **	YR20607240000
4	Pipe heater mounting plate	-
5	Pipe heater 2	BH70090700150
6	Pipe heater 1	-

\* means possible broken parts. \*\* means easy broken part. and spare backup is suggested.

Please confirm the version of manual before placing the purchase order to guarantee that the item number of the spare part is in accordance with the real object.

## 11. Water-refill Connector Assembly (STM-607/907W/O)



Remarks: Please refer to material list 12 for specific explanation of the arabic numbers in parts drawing.

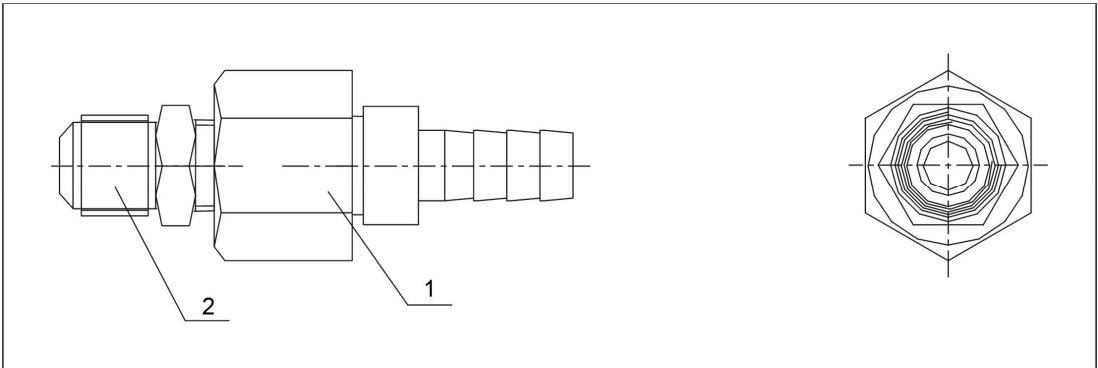
## 12. Water-refill Connector Parts List (STM-607/907W/O)

No.	Name	Parts No.
1	Set No.1 of copper connector	BH12060703510
2	3/8"PT stainless steel three way	YW52030800000
3	Pipe coupler 3/8"PT × 3/8"PT	BH12030800110
4	3/8"KITZ copper ball valve	YW50030800900
5	Tonflon pipe connector 3/8"PT × 3/8H	BH12030800610
6	3/8" solenoid valve (Kai Ling) *	YE32382400000
7	3/8"PT × 3/8"PT pipe coupler L type	YW04030800100

\* means possible broken parts. \*\* means easy broken part. and spare backup is suggested.

Please confirm the version of manual before placing the purchase order to guarantee that the item number of the spare part is in accordance with the real object.

### 13. Water Drainage Connector Assembly(STM-607/907-W/O)

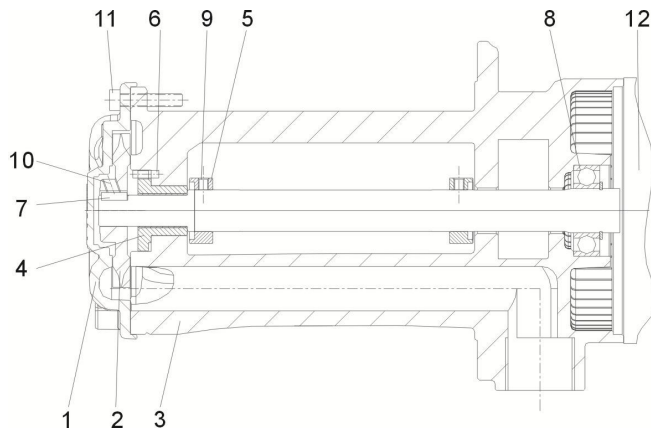


Remarks: Please refer to material list 14 for specific explanation of the arabic numbers in parts drawing.

### 14. Water Drainage Connector Parts List (STM-607/907W/O)

No.	Name	Parts No.
1	Set No.2 of copper connector	BH12607600010
2	3/8"PT × 3/8"H Flon Pipe Connector	BH12030800610

## 15. Pump



### Names of Parts:

- |                           |                            |  |                            |
|---------------------------|----------------------------|--|----------------------------|
| 1. Pump lid               | 2. Impeller                | 3. Pump seat                           | 4. Silicon carbide bearing |
| 5. Shaft sleeve           | 6. Column pin              | 7. Cup-head parallel key               |                            |
| 8. Bearing                | 9. Inner hexagon set screw | 10. Inner hexagon flat point set screw |                            |
| 11. Outer-hexagonal bolts | 12. Motor                  |  |                            |