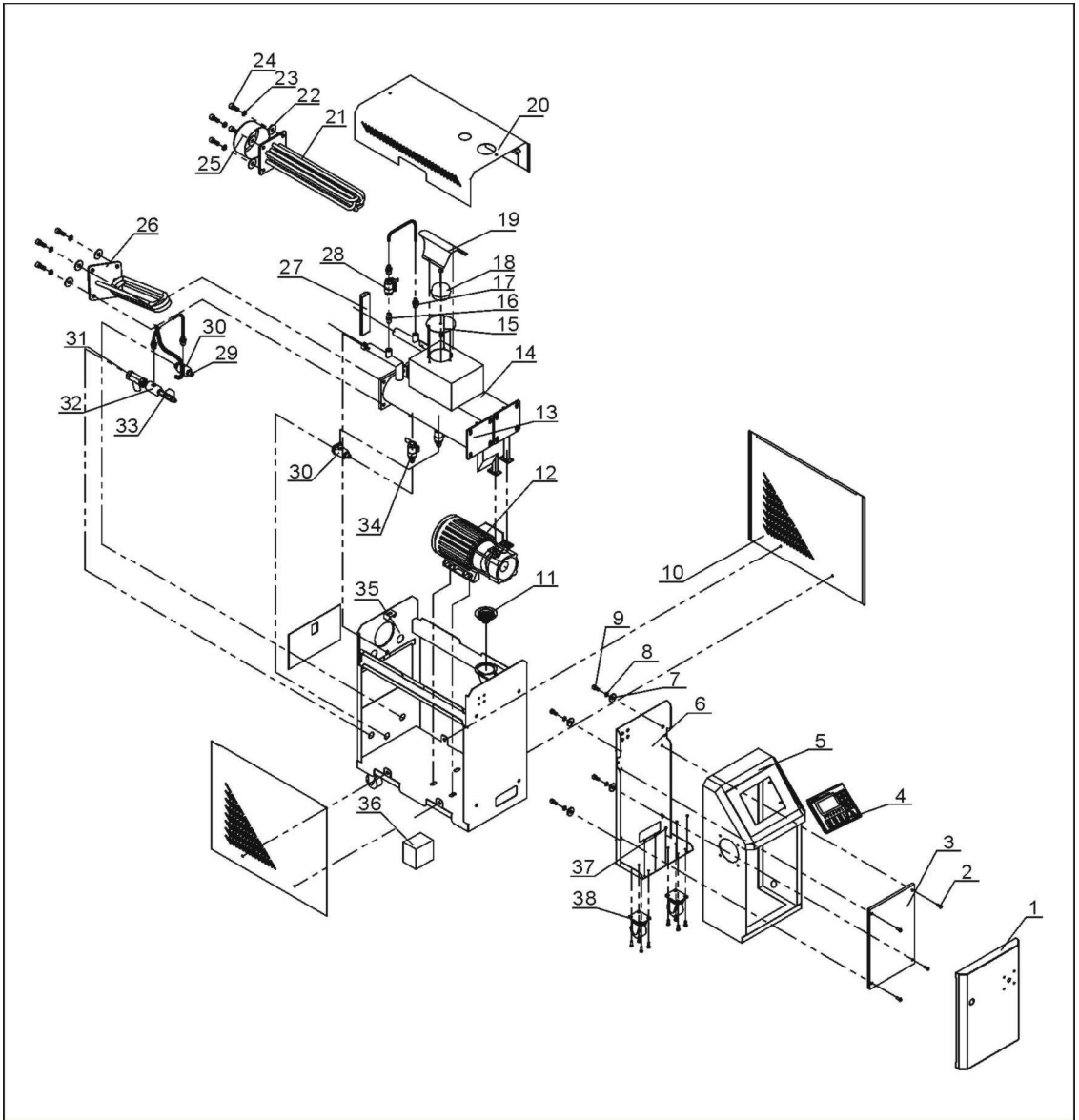


1. Assembly Drawing (STM-907HT)



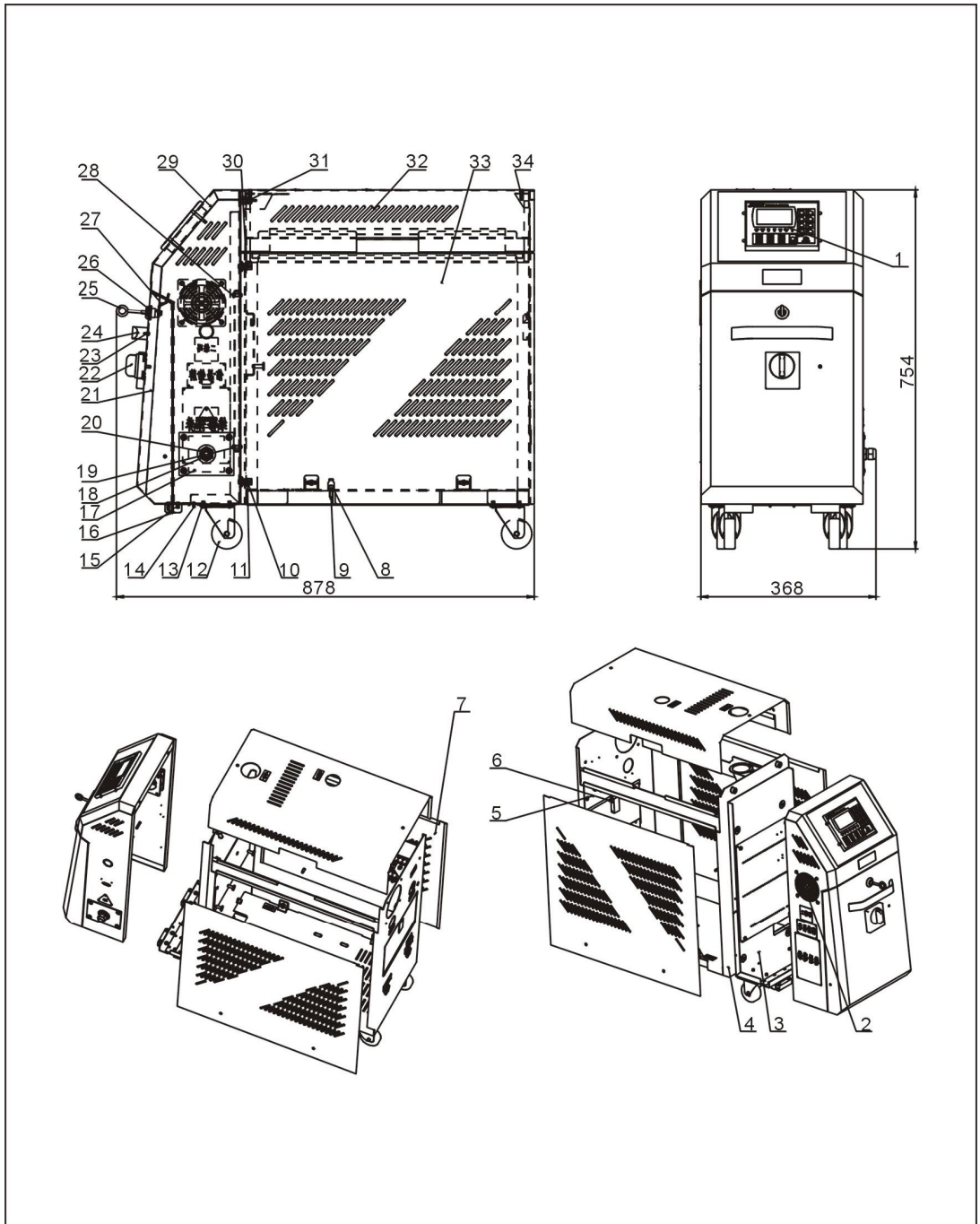
Remarks: Please refer to material list 2 for specific explanation of the Arabic numbers in parts drawing.

2. Parts List (STM-907HT)

No.	Name	Part No.
1	Door plank	-
2	Flat head screw M6×17	YW63061700000
3	Electrical mounting plate	-
4	HANYOUNG controller MT100-01	YE81100010000
5	electrical control box	-
6	Backboard of electric components cabinet	-
7	Flat gasket 8	YW66082200100
8	Elastic gasket 8	YW65008000200
9	Inner hexagon socket cap screw M8×20	YW61082000200
10	Side plate	-
11	Pressure gauge 0~10kg	YW85001000100
12	Magnetic pump MP-55	BM20005500550
13	Cooling tank	-
14	Heating tank	-
15	Cover plate of float ball	-
16	Copper pipe coupler 1/4PT×1/4PT	BH12010400110
17	Copper teflon pipe connection 1/4H×1/4PT	BH12010400410
18	Float ball	YW09703600000
19	Switch control cover	-
20	Cover plate	-
21	Electric heating pipe (120×120, 9kw)*	BH70091000050
22	Flat gasket 10	YW66102500000
23	Elastic gasket 10	YW65010000000
24	Inner hexagon socket cap screw M10×25	YW61102500000
25	Electric heating pipe cover	BL80091000120
26	Cooling pipe	BL43907190020
27	Liquid level indicator	BH12060700210
28	Copper ball core valve 1/4"	YY60001430000
29	Copper teflon pipe connection 3/8H×3/8PT	BH12030800610
30	The second set of copper connection	BH12060702010
31	Y type water strainer	YW57010200000
32	Copper connection	-
33	Solenoid valve *	YE32382400000
34	Stainless steel ball valve 3/8"(Resist to high temperature of 300 degrees)	YW50030800200
35	Rear plate	-
36	EGO protection box	YR40000400300
37	Thick-headed screw M4×5	YW62040600000
38	2" castor	YW03000200000

* means possible broken parts. ** means easy broken part. and spare backup is suggested. Please confirm the version of manual before placing the purchase order to guarantee that the item number of the spare part is in accordance with the real object.

3. Assembly Drawing (STM-1215HT)



Remarks: Please refer to material list 4 for specific explanation of the Arabic numbers in parts drawing.

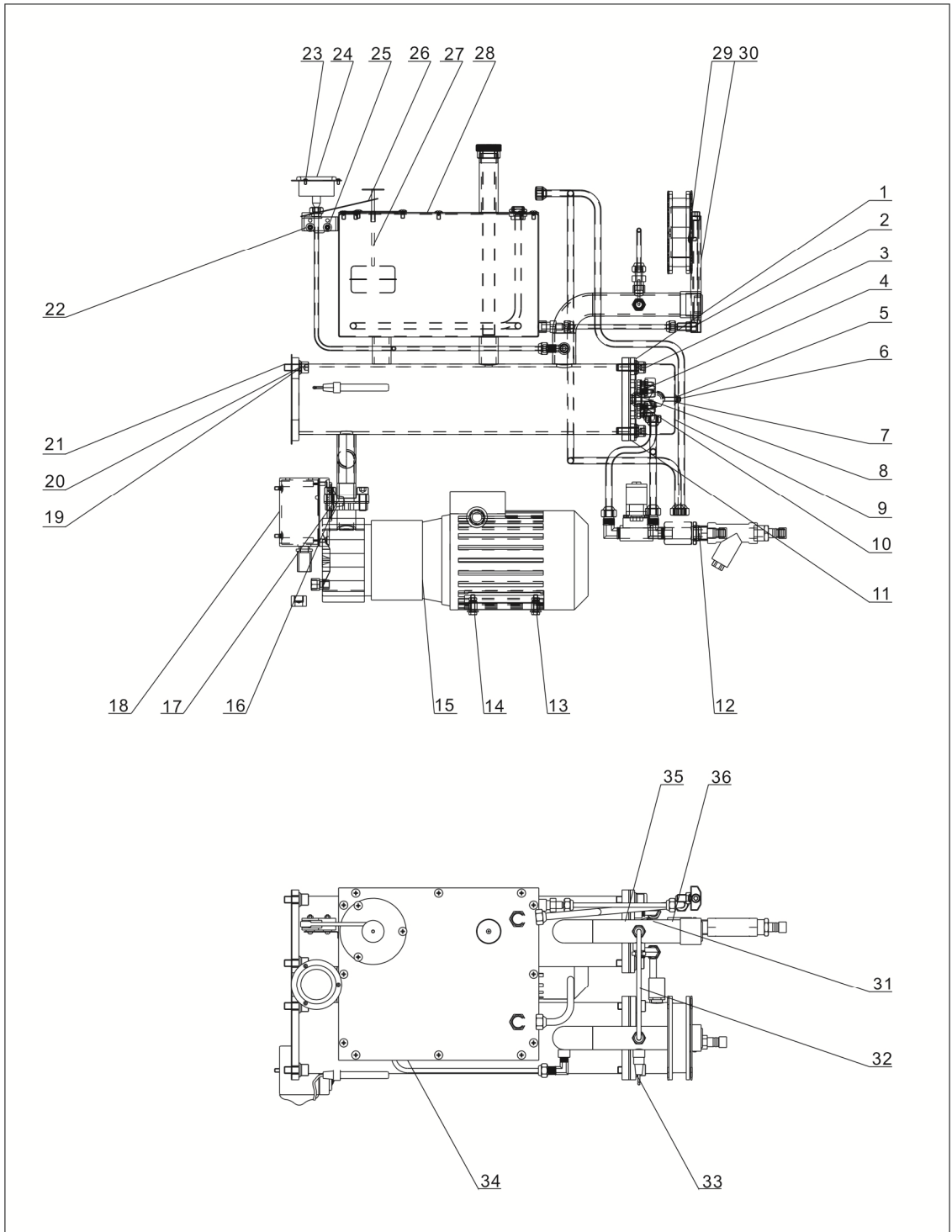
4. Parts List (STM-1215HT)

No	Name	Part No.
1	MTC controller	YE81184300200
2	Exhaust fan + fan guar	YM60922500100
3	Control box rear plate	-
4	Rack	-
5	Rivet2x5	YW69020500000
6	Pastic flexible buckle	YR40523040000
7	Right side plate	-
8	Fixed base	YR40018500000
9	Coss socket head tapping screw ST4.8X19	YW67481900000
10	Inner hexagon cylindrical screwM8x20	YW61082001200
11	Standard spring washer 8	YW65008000100
12	Castor	YW03002500000
13	Cross socket flat-head screw M6x10	YW62061000000
14	Tuss head M3x8	YE50380000000
15	Cross socket flat-head screw M5x10	YW62051000100
16	Big hinge	YW06219100000
17	Wre fixture fixed plate	-
18	Cable head	YE67002900000
19	Inner hexagon flat head screw M6x16	YW61061600100
20	Power cable	BE51250400450
21	Door plank	-
22	Main power switch	YE10021160000
23	Cross recessed pan head screw M4x6	YW63040600000
24	Door plank aluminum handle	YW20660900100
25	Long door lock key	YW00040600200
26	Long door lock	YW00000000100
27	Door lock long fender	YW00040600000
28	Base plate of control box	-
29	Control box	-
30	Flat washer A 8	YW66081900000
31	Butterfly bolt M8x15	YW69081500000
32	Cover plate	-
33	Left side plate	-
34	Pin spring	YW01051000000

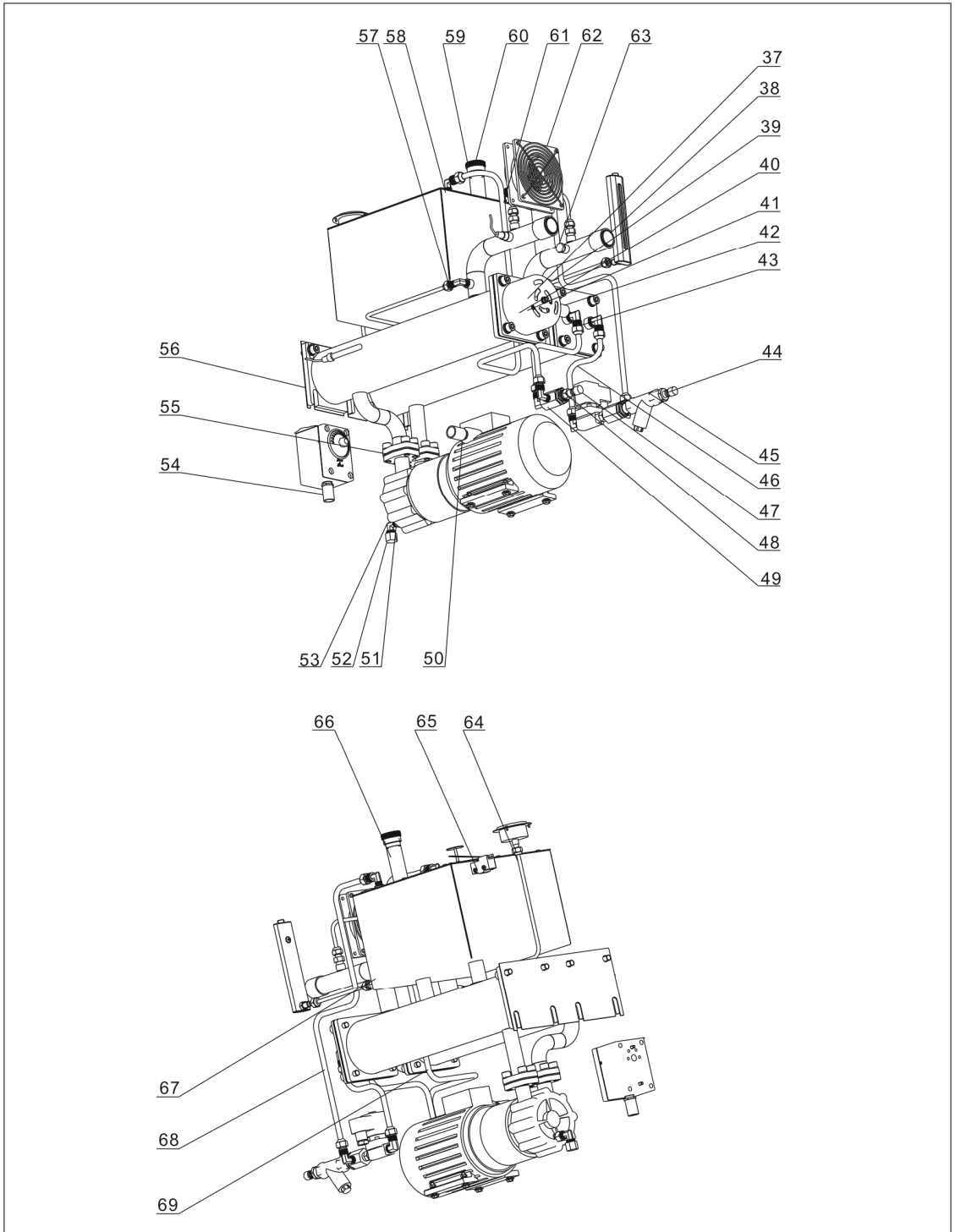
* means possible broken parts. ** means easy broken part. and spare backup is suggested.

Please confirm the version of manual before placing the purchase order to guarantee that the item number of the spare part is in accordance with the real object.

5. Machine Internal Structure Diagram (STM-1215HT)



Remarks: Please refer to material list 6 for specific explanation of the Arabic numbers in parts drawing.



Remarks: Please refer to material list 6 for specific explanation of the Arabic numbers in parts drawing.

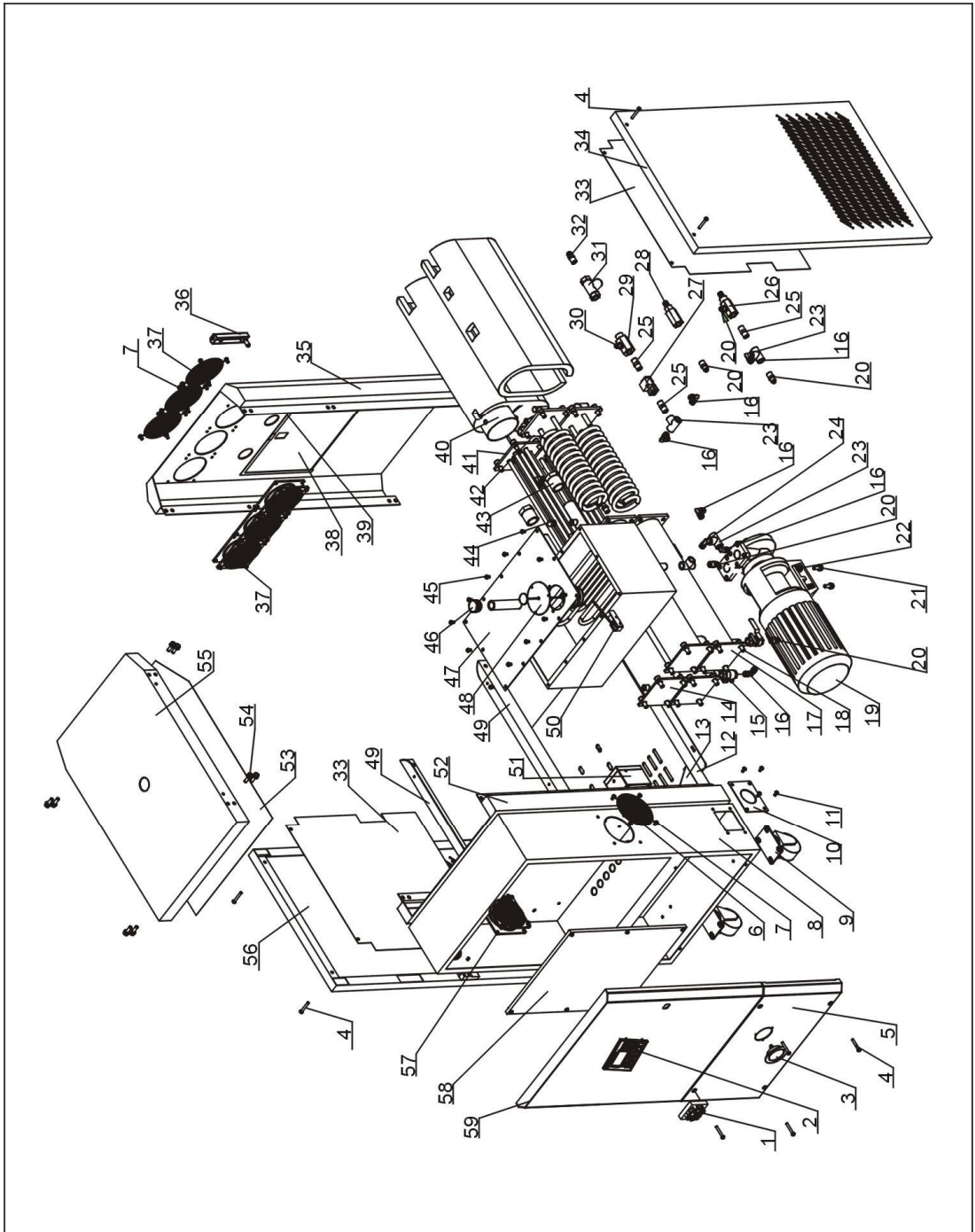
6. Parts List (STM-1215HT)

No.	Name	Part No.
1	Pipe heater assembly*	-
2	Liquid level indicator	-
3	Inner hexagon cylindrical screw M10x30	YW61103000100
4	Plastic plug 4" single-hole red	YR30000400100
5	Hexagon nut M6	YW64000600300
6	Flat washer A 6	YW66061300000
7	Standard spring washer 6	YW65060000000
8	Cooling pipe assembly	-
9	Pipe heater cove	-
10	Standard spring washer 5	YW65050000000
11	Flexible graphite pad	YR20121200000
12	The fourth set of copper connection	-
13	Flat washer A 8	YW66081900000
14	Hexagon screw bolt M6x25	YW60062500000
15	Magnetic drive pump MP-100	-
16	Temp. regulator and sensor	YE85540000000
17	Heating tank	-
18	Plastic protection box EGO	YR40000401300
19	Standard spring washer 10	YW65010000000
20	Flat washer A 10	YW66102000100
21	Inner hexagon cylindrical screw M10x25	YW61102500000
22	Heat insulation pad of liquid level sensor	-
23	Cross recessed pan head screw M3x6	YW63030600000
24	Pressure gauge	YW85001000100
25	Cross recessed pan head screw M4x25	YW63042500000
26	Micro switch	YE14152400000
27	Float ball	-
28	Oil tank cover board	-
29	Cross socket flat-head screw M5x10	YW62051000100
30	Liquid level indicator assembly	-
31	Solenoid valve 24V	YE32382400000
32	Oil by pass pipe	-
33	Thermocouple	BE90341500050
34	Cooling tank and oil tank	-
35	Copper teflon pipe connection	YW04030800300
36	Copper pipe coupler	-
37	Copper pad	YW66523400000
38	Plastic plug without nut	YR40251500100
39	Liquid level indicator pipe	-
40	Flat washer A 5	YW66051300000
41	Safety ceramic cap 3/16	YP51031640000

42	Quick hose coupler	YE67165800000
43	Cooling water outlet pipe of cooling tank	-
44	Copper joint	S-73
45	Y type water strainer	YW57010200000
46	Cooling water inlet pipe of cooling tank	-
47	Copper plug	YR30010200000
48	Copper joint	S-85
49	Copper and tri-poshen 3/8"	S-84
50	Quick hose coupler	YE67111000000
51	Lengthened screw for oil discharge	-
52	Teflon plug	S-171
53	Copper teflon pipe connection	YW04030800400
54	Quick hose coupler	YE67109000000
55	MP-100 graphite washer**	YR10110000000
56	Munting plate insulation paper of heating tank	-
57	Tonflon pipe male thread	YW04010400400
58	Fixed screw of cooling pipe	-
59	Oil cap	-
60	Cross socket counter sunk head screw M3x6	YW61030600100
61	Cooling pipe assembly	-
62	Exhaust fan and fan guard	YM60423000000
63	Hexagon plug	YW59010400000
64	Pressure gauge pipe	-
65	Hexagon nut M4	YW64000400500
66	Oil baffle pipe of oil tank	-
67	Copper teflon pipe connection	BH12010400410
68	Water inlet pipe of oil tank coolingpipe	-
69	Water outlet pipe of oil tank coolingpipe	-

* means possible broken parts. ** means easy broken part. and spare backup is suggested. Please confirm the version of manual before placing the purchase order to guarantee that the item number of the spare part is in accordance with the real object.

7. Assembly Drawing (STM-2440HT)



Remarks: Please refer to material list 8 for specific explanation of the Arabic numbers in parts drawing.

8. Parts List (STM-2440HT)

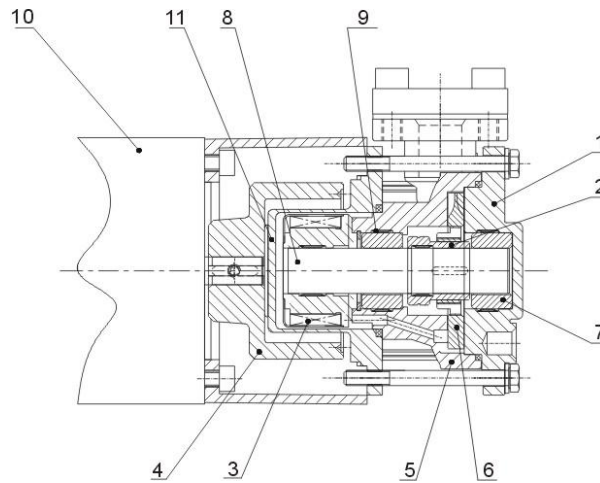
No.	Name	Part No.
1	Main power switch	YE10250400000
2	HANYOUNG controller	YE81100010000
3	Pressure gauge	YW85001000100
4	M6×45 thick-headed screw	YW63064500000
5	Panel	-
6	Cooling fan	-
7	M5×10 screw	YW62051000100
8	Control box	BL43244001521
9	Movable castor	YW03000300200
10	Fixed board	-
11	M6×10 screw	YW62061000000
12	Bottom plate	BL43244002320
13	Triangular support	-
14	Heating tank	BL43244000921
15	3/8" float ball (heating insulation 300℃)	YW50030800200
16	Teflon pipe connection 3/8pt×3/8h L type	YW04030800300
17	Cooling tank auxiliary oil tank	BL43244000321
18	M10×25 inner hexagon screw	YW61102500000
19	Magnetic drive pump	BM20283300050
20	Teflon pipe connection 8/3pt×3/8h l type	BH12030800610
21	External hexagonal screw m10×35	YW60103500000
22	M10 external hexagonal screw	YW64001000100
23	3/8" stainless steel three way	YW52030800000
24	Pipe coupler 3/8pt×3/8 pt I type	YW04030800100
25	Pipe coupler 3/8pt×3/8pt	BH12030800110
26	Connector	-
27	3/8" solenoid valve	YE32382400000
28	Copper connection 2	-
29	Copper connection 4	BH12060702110
30	Teflon pipe connection 1/4pt×3/8h	BH12010400510
31	Y type filter	YW57010200000
32	Copper insert m13×1/2pt	BH12131200010
33	Side plate clapboard	-
34	Right side plate	-
35	Rear plate	-
36	Liquid level indicator	BH12060700210
37	Fan	YM60423000000
38	Mini cover board of backboard	-
39	Mini cover board of backboard bracket	-
40	Pipe heater cover	BL80091000120

41	Heating pipe*	BH70244000250
42	Cooling pipe	-
43	Water flow regulator connector	-
44	Screw 1/4pt	BH12010400710
45	Flat head screw M6×15	YW62061500000
46	Oil cap 3/4pt	BH12030403040
47	Oil tank cover board	-
48	Float ball	-
49	Support beam	-
50	Microswitch*	YE14152400000
51	Ego protection box	YR40000400300
52	Front panel	-
53	Top plate heat-resistant board	-
54	External hexagonal screw M8×20	YW60082000300
55	Top plate	-
56	Left side plate	-
57	Ventilation fan + fan guard	YM60922500100
58	Electrical control box base	-
59	Panel	-

* means possible broken parts. ** means easy broken part. and spare backup is suggested.

Please confirm the version of manual before placing the purchase order to guarantee that the item number of the spare part is in accordance with the real object.

9. Pump



Names of Parts:

- | | | |
|-------------------------------|------------------|---------------------------|
| 1. Pump cover | 2. Shaft sleeve | 3. Inner magnetic coupler |
| 4. Out magnetic coupler | 5. Pump body | 6. Paddle wheel |
| 7. Carbonated silicon bearing | 8. Ceramic stick | |
| 9. Lockup parts | 10. Motor | 11. Magnetic cover |