

Film Pelletizer

SFP-60



Refer carefully to this manual before operation.

SFP Series

■ Coding Principle

SFP - xx W



■ Features

- Equipped with HMI+PLC+inverter, the intelligent system matches feeding, extrusion, and pelletizing smoothly.
- Real time detection of die pressure fluctuations, auto adjustment of pelletizing speed to ensure perfect pellets size.
- Integrated multi-stage temperature control, simple operation interface, real-time monitoring of zone temperature.
- It has overload, over temperature, and over pressure protection functions.
- Specially designed variable diameter short screws are particularly suitable for processing films and sheet materials, with uniform melting and mixing to minimize material degradation.
- Manual screen changer design, which can quickly replace the filter screen; Equipped with dual filters, one for use and one for spare.
- Temperature range is 100~250°C.



SFP-60W/70W
Pelletizing chamber



SFP-60/70
Pelletizing chamber

■ Application

The SFP series comes in air cool and water cool models. Designed for recycling HDPE, MDPE, LDPE, LLDPE, and plastic films containing small amounts of metallocene, PP, PA6, and Caco3.

SFP is suitable for online trims recycling, or offline waste film central recycling.

There are several configurations for options, based on a working conditions.



SFP-45



PE

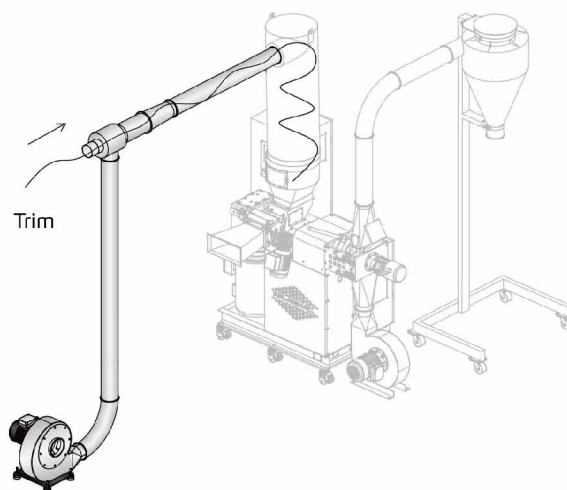


Milky white

■ Options

- Trim Convey (TC)

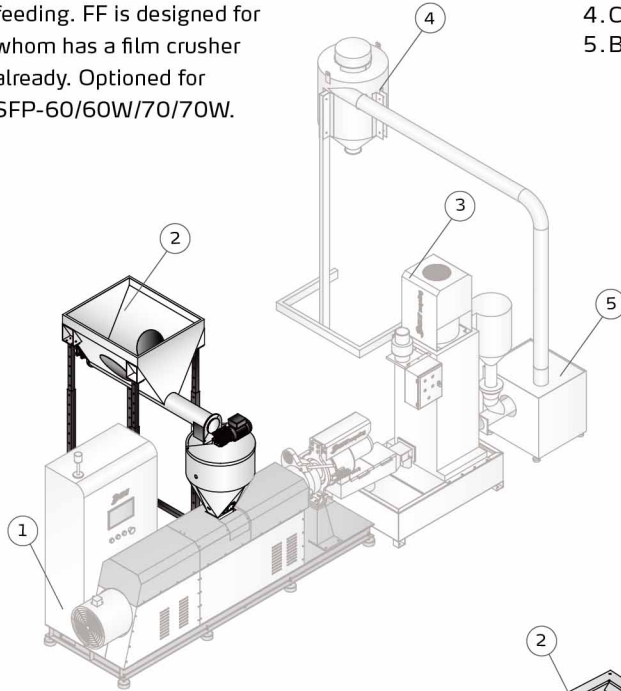
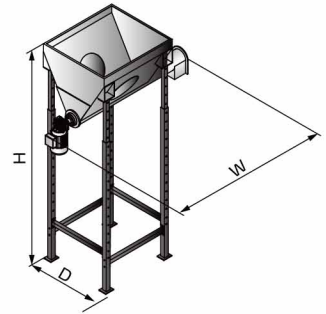
Trims are transported into trim basket with venturi principle, trims' width should under 5cm. Trim convey function must work with trim basket(TB).



● Flake Feeder(FF)

FF is suitable for flakes feeding. FF is designed for whom has a film crusher already. Optioned for SFP-60/60W/70/70W.

- 1.SFP-W
- 2.FF
- 3.Centrifuge(for SFP-W)
- 4.Cyclone
- 5.Blower

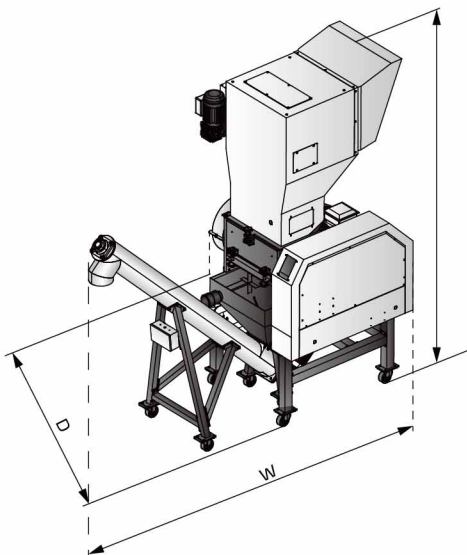
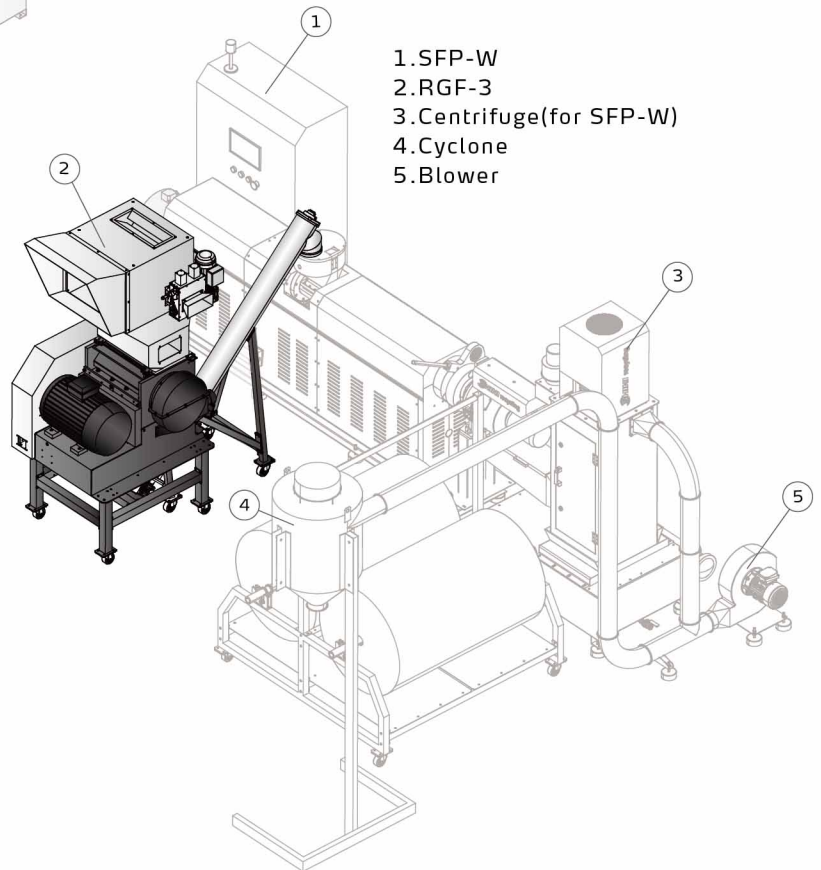


Model	Power (kW)	Volume (L)	Max.output (m ³ /hr)	H(mm)	D(mm)	W(mm)
FF	0.55	300	8	1973-2673	810	1730

● RGF-3

RGF-3 includes a rollfeed, a crusher, and a feeding machine. Suitable for automatic rollfeeding, crushing, and flakes loading, with reserved feeding port for loose films. Built in a level sensor, for automatic start and stop. Optioned for SFP-60/60W/70/70W.

- 1.SFP-W
- 2.RGF-3
- 3.Centrifuge(for SFP-W)
- 4.Cyclone
- 5.Blower

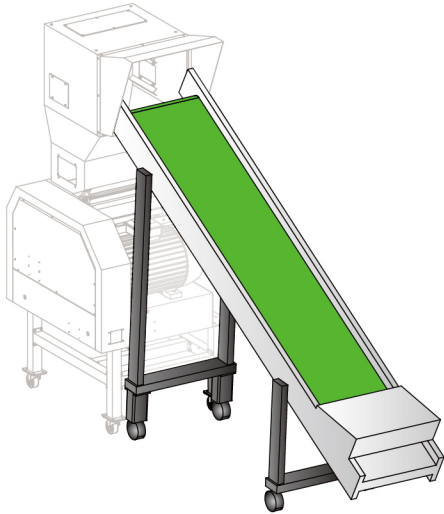


Model	Power(kW)	Volume(L)	Max.output (m ³ /hr)	(H×D×W)(mm)	Noise dB(A)
RGF-3	12	80	3	2293×1033×2256	90-110

SFP Series

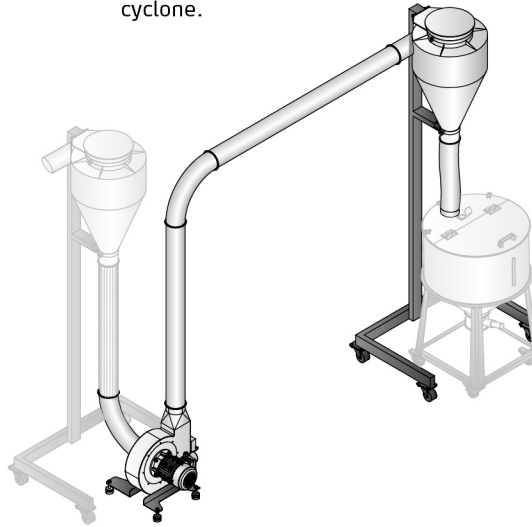
● BCF-3650

BCF-3650 should work with RGF-3, for feeding loose film into the crusher chamber, reducing the labor intensity of operator. The start and stop are automatically controlled by a level sensor.



● 2nd Stage Convey(2C)

To extend a longer distance (normally 10m) for pellets transporting, with extra blower, pipes and cyclone.



● MST-200P

Made of stainless steel, equipped with 4 casters, and a 1.5 inch suction tube at the bottom.



Model	MST-200P
Capacity (kg)*	200
(WxDxH) (mm)	910x910x1170

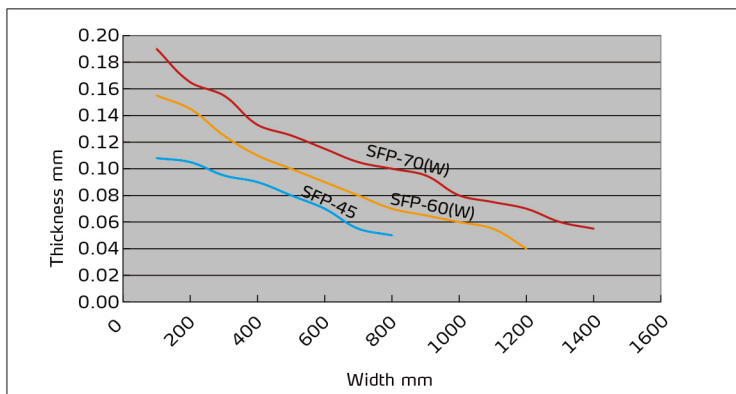
Note: *Volume definition is based on bulk density 0.65kg/L.

● Trimbasket+Rollfeed(TB+RF)

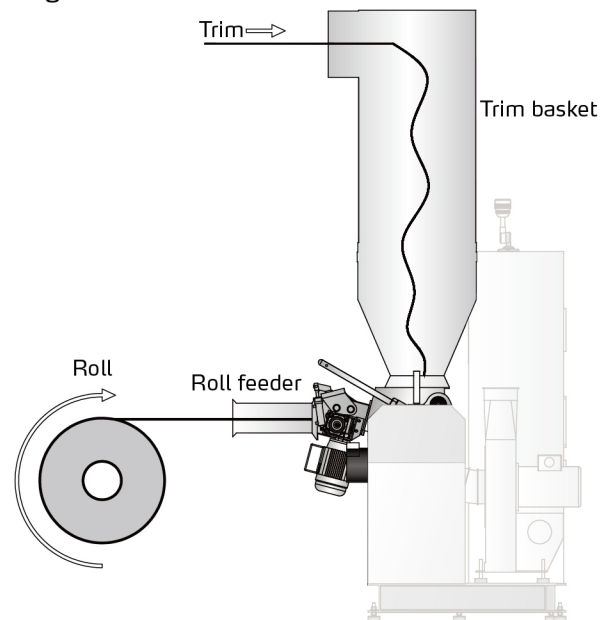
The trimbasket is suitable for online trim recycling. The trim width should not exceed 5cm. SFP-45 standard equipped with TB.

The Rollfeed is suitable for feeding film roll into the screw. Equipped with a film roll frame. 3-6kg/cm² compressed air is needed.

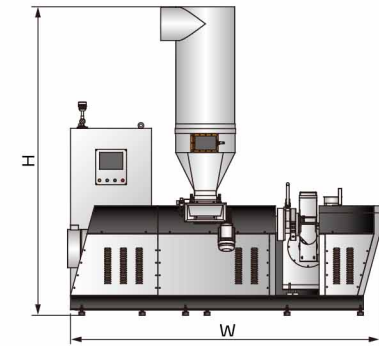
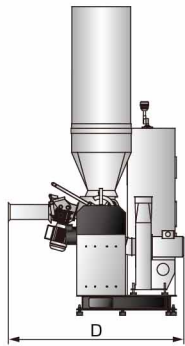
When select TB+RF, the applicable film roll refer to the following curve.



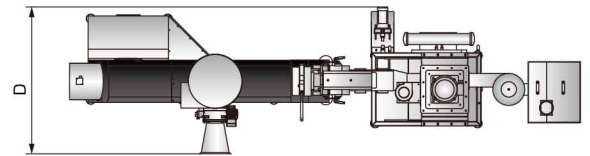
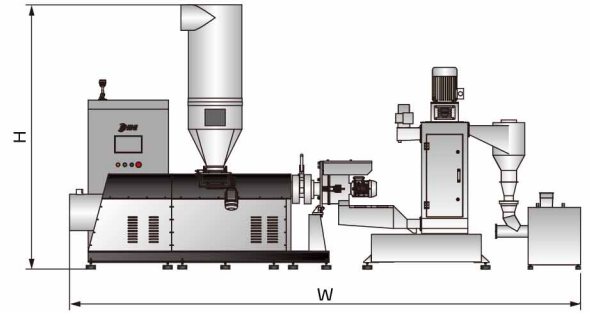
Note: The curves are based on PE testing and are for reference only. The final specifications should be based on the actual applicable specifications.



Outline Drawings



SFP



SFP-W

Specifications

Model	SFP-45	SFP-60	SFP-60W	SFP-70	SFP-70W
Extruder (kW)	11	15	15	37	37
Dicer (kW)	0.55	0.55	0.55	0.55	0.55
Blower (kW)	2.2	2.2	2.2	2.2×2	2.2
Pump (kW)	/	/	0.75	/	0.75
Centrifuge (kW)	/	/	5.5	/	5.5
Heatging zones	3	3	3	6	6
Heater(kW)	6	7	8	17	17
Total(kW)	20	25	32	57	63
Screw dia.(mm)	45	60	60	70	70
NoisedB (A)	85-95	85-95	85-95	85-95	85-95
Pellet Cooling	Air cool	Air cool	Water cool	Air cool*	Water cool
Throughput(kg/hr)	10~35	40~60	50~70**	60~90	120~150**
Filter Screen	80 mesh				
TB	●	○	○	○	○
RF	○	○	○	○	○
RGF-3	-	○	○	○	○
FF	-	○	○	○	○
BCF-3650	-	○	○	○	○
2C	○	○	○	●	○
TC	○	○	○	○	○
MST-200P	○	○	○	○	○
Dimensions	W (mm)	1806	2590	4811	5583
	D (mm)	1035	1468	1546	1604
	H (mm)	2234	2584	2584	3030
Net Weight (kg)	701	830	1100	1430	1700

- Note: 1)Throughput data is based on PE film test.
 2)Operating noise varies depending on material and extrusion speed.
 3)Machine power: 3 phase 400VAC 50Hz.
 4)Recycle water in normal temp. is required for SFP-70/70W gearbox cooling. Water in 10~25°C, 50~100L/min is required for SFP-W water tank cooling.
 5)* 2nd stage convey.
 6)** Optioned with FF or RGF-3 for max throughput.
 7)●: Standard, ○: Option, -: None.

Shini Group

Addr: No. 23, Minhe St., Shulin Dist.,
New Taipei, Taiwan

Tel: +886 2 2680 9119

Fax: +886 2 2680 9229

Email: shini@shini.com

Factories:

- Taiwan
- Dongguan
- Pinghu
- Ningbo
- Chongqing
- Pune

2024-08-15-04 Copyrights Reserved.

www.shini.com