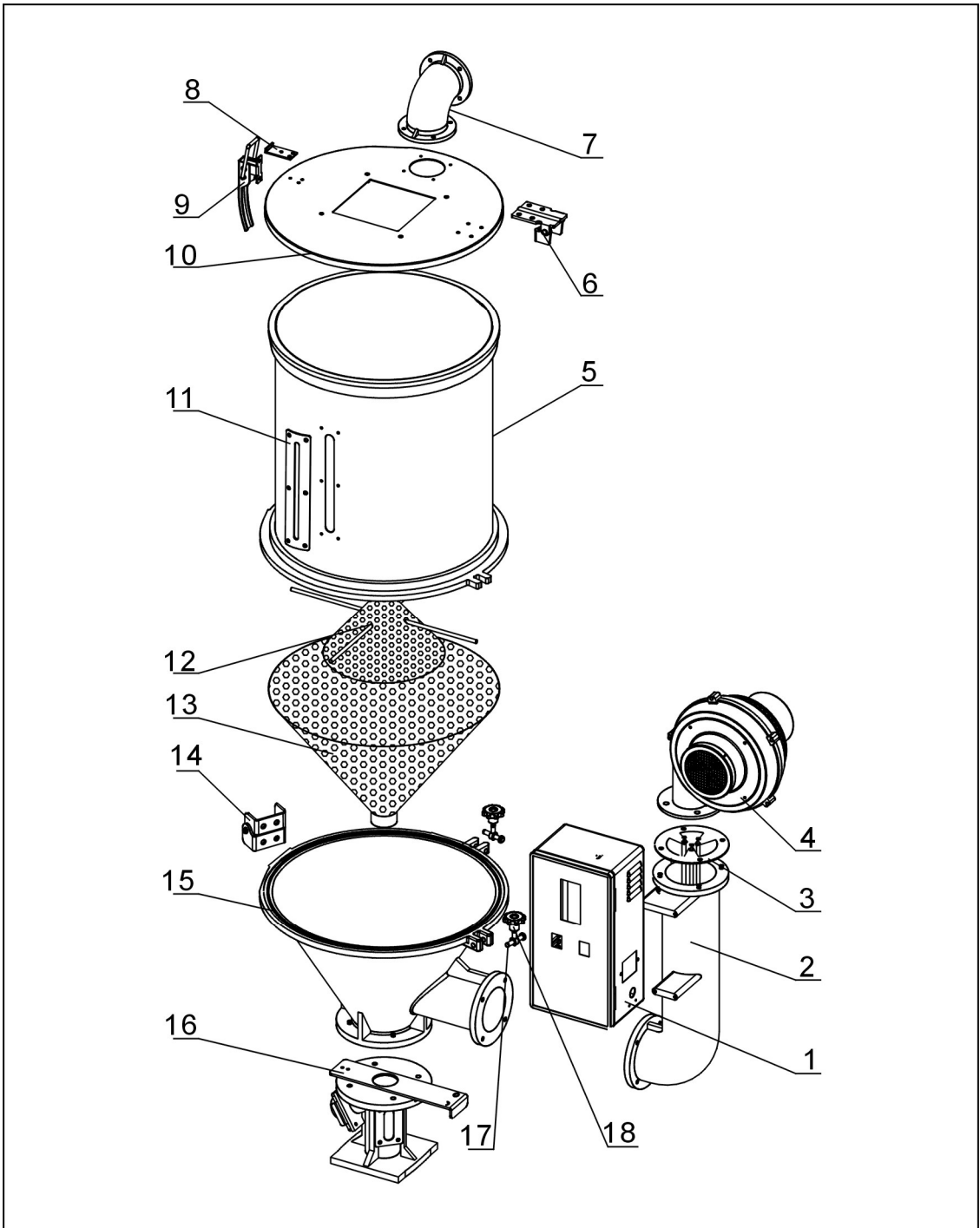


2.2 Drawing and Parts List

2.2.1 Assembly Drawing (SHD-25~75)



Remarks: Please refer to material list 2.2.2 for specific explanation of the Arabic numbers in parts drawing.

Picture 2-2: Assembly drawing SHD-25~75

2.2.2 Parts List (SHD-25~75)

Table 2-1: Parts List (SHD-25~75)

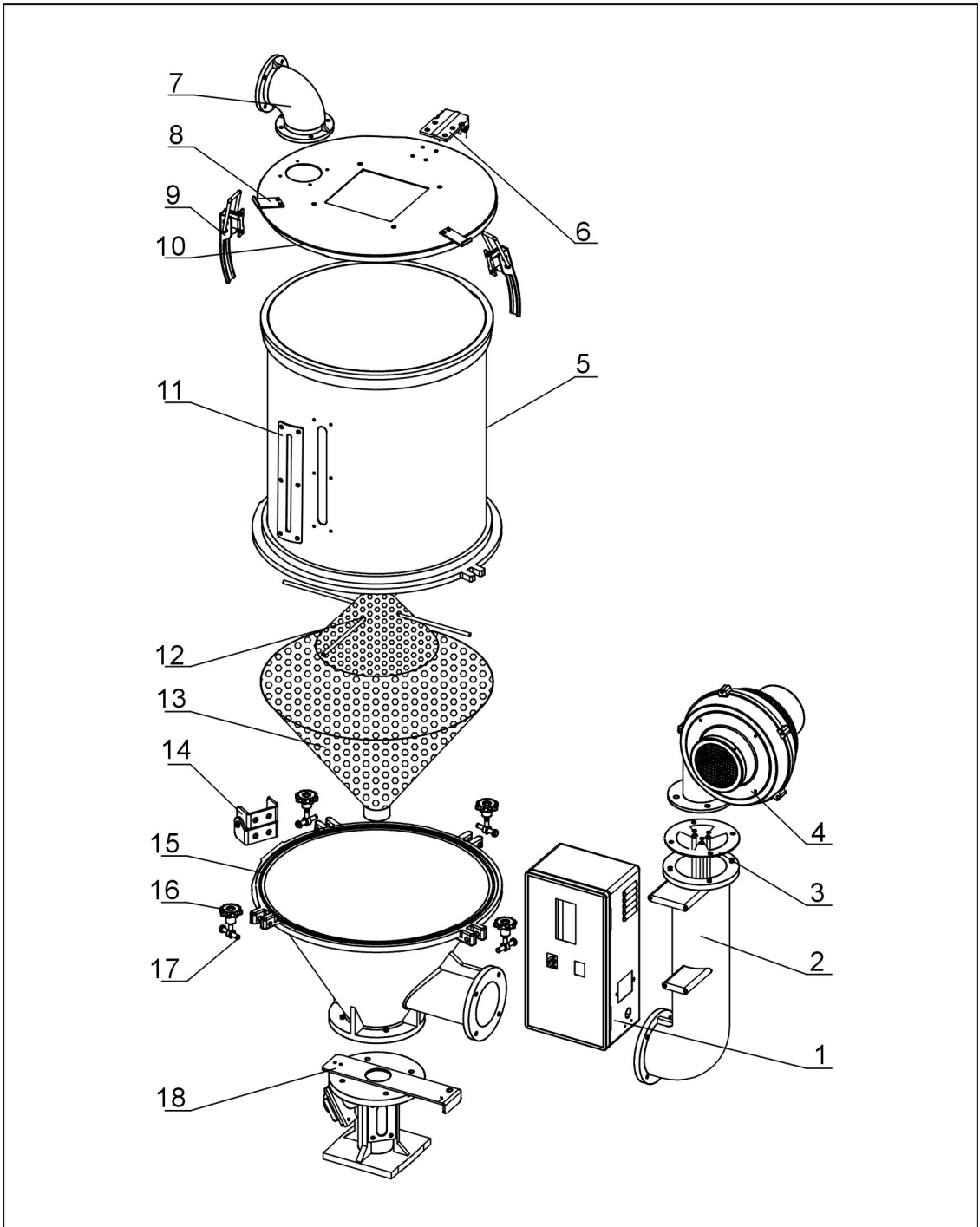
NO.	Name	Part NO.		
		SHD-25	SHD-50	SHD-75
1	Control box**	BH31002500450	BH31005000750	BH31007500250
2	Hot-air pipe**	BA10002500410	BA10005000610	BA10005000610
3	Pipe heater*(SHD)	BH70250300150	BH70500300150	BH70750300050
	Pipe heater **(SHD-H)	BH70253300010	BH70007500510	BH70754800010
	Pipe heater **(SHD-EH)	YW90000301500	YW90003901500	YW90004200000
4	Blower*	BM40002500350	BM40003000250	BM40003000250
5	Storage hopper	BK01002500020	BK01005000020	BK01007500020
6	Rear hinge at cover	YW06125040000	YW06125040000	YW06125040000
7	Exhaust pipe	BA10251000010	BA10251000010	BA10251000010
8	Handle hook	YW00251000000	YW00251000000	YW00251000000
9	Handle	YW00121000000	YW00121000000	YW00121000000
10	Hopper cover	YW09002500000	YW09005000100	BL01007500020
	Cover fastener	YR10002500100	YR10005000100	YR10010040000
11	Sight glass	YW09000600000	YW09000600000	YW09000600000
	Sight glass acryl	YR40001200000	YR40001200000	YR40001200000
	Sight glass Fastener	YR40000600000	YR40000600000	YR40000600000
12	Screen separator**	BL01002500620	BL01005001120	BL01007500120
13	Shade separator**	BL01002501520	BL01005000320	BL01007500320
14	Rear hinge at hopper	YW09125000100	YW09125000100	YW09125000100
15	Hopper	BA10002500210	BA10005000110	BA10007500110
	Hopper fastener	YR10002500200	YR10005000200	YR10010000200
16	Base**	BY10050000550	BY10050000550	BY10050000550
17	Star pin	YW09085400000	YW09085400000	YW09085400000
18	Star nut	YW09675100000	YW09675100000	YW09675100000
	Star screw	YW09051600100	YW09051600100	YW09051600100

* means possible broken parts.

** means easy broken parts and spare backup is suggested.

Please confirm the version of manual before placing the purchase order to guarantee that the item number of the spare part is in accordance with the real object.

2.2.3 Assembly Drawing (SHD-100/150)



Remarks: Please refer to material list 2.2.4 for specific explanation of the Arabic numbers in parts drawing.

Picture 2-3: Assembly drawing SHD-100/150

2.2.4 Parts List (SHD-100/150)

Table 2-2: Parts List (SHD-100/150)

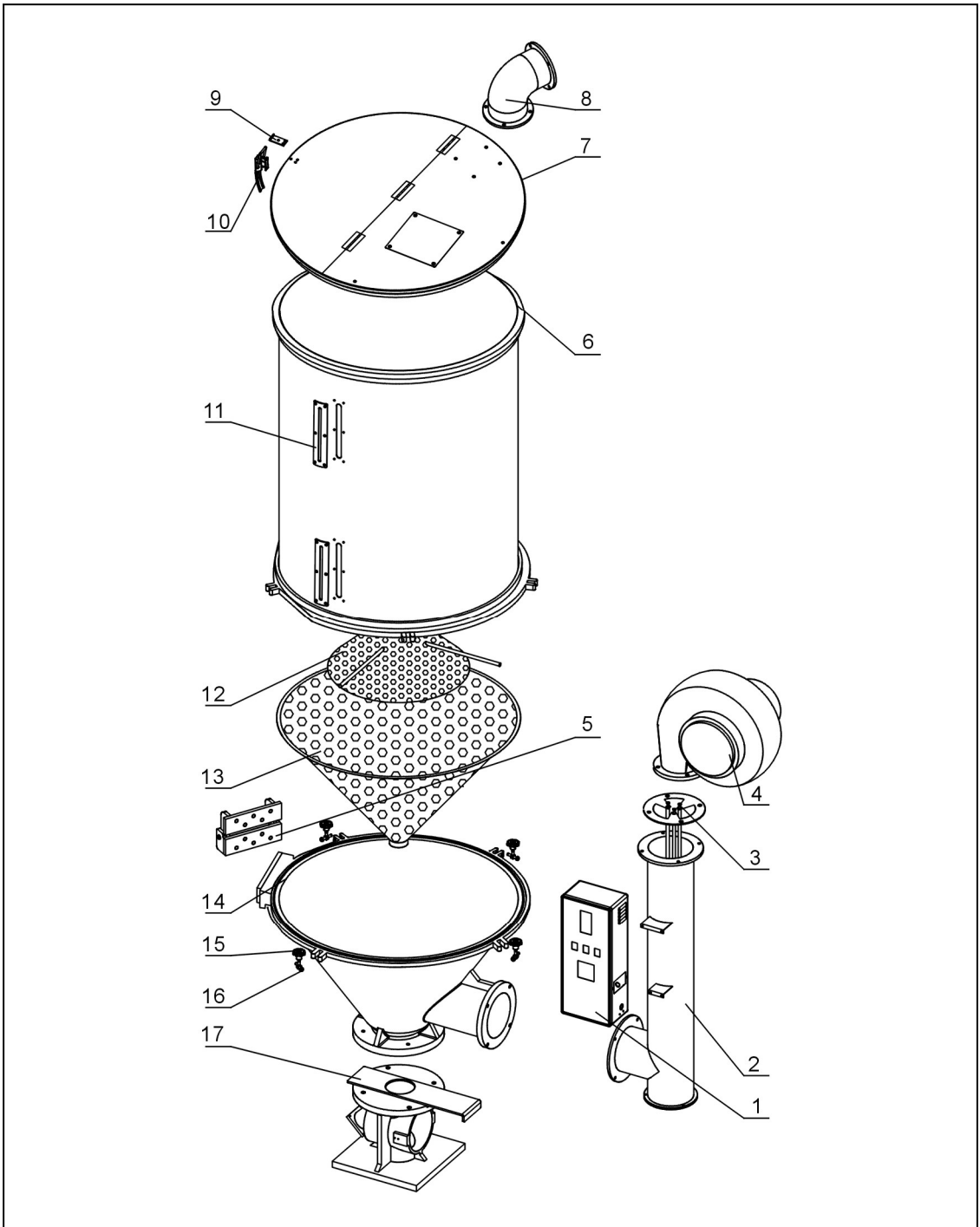
NO.	Name	Part NO.	
		SHD-100	SHD-150
1	Control box*	BH31101500350	BH31100001550
2	Hot-air pipe**	BA10010000610	BA10010000610
3	Pipe heater**(SHD)	BH70103800050	BH70153800050
	Pipe heater**(SHD-H)	BH70153800050	BH70150720010
	Pipe heater**(SHD-EH)	YW90000601500	-
4	Blower*	BM40004000150	BM40004000150
5	Storage hopper	BK01010000020	BK01015000020
6	Rear hinge at cover	YW06102000000	YW06102000000
7	Exhaust pipe	BA10251000010	BA10251000010
8	Handle hook	YW00251000000	YW00251000000
9	Handle	YW00121000000	YW00121000000
10	Hopper cover	BL01100700720	BL01100700720
	Cover fastener	YR10010040000	YR10010040000
11	Sight glass	YW09000600000	YW09000600000
	Sight glass acryl	YR40001200000	YR40001200000
	Sight glass fastener	YR40000600000	YR40000600000
12	Screen separator**	BL01010000120	BL01010000120
13	Shade separator**	BL01010000320	BL01010000320
14	Rear hinge at hopper	YW09102000100	YW09102000100
15	Hopper	BA10010000110	BA10010000110
	Hopper fastener	YR10010000200	YR10010000200
16	Star nut	YW09115600000	YW09115600000
	Star screw	YW09100000000	YW09100000000
17	Star pin	YW09085400000	YW09085400000
18	Base**	BY10200000050	BY10200000050

* means possible broken parts.

** means easy broken parts and spare backup is suggested.

Please confirm the version of manual before placing the purchase order to guarantee that the item number of the spare part is in accordance with the real object.

2.2.5 Assembly Drawing (SHD-12/200/300)



Remarks: Please refer to material list 2.2.6 for specific explanation of the Arabic numbers in parts drawing.

Picture 2-4: Assembly drawing SHD-12/200/300

2.2.6 Parts List (SHD-12/200/300)

Table 2-3: Parts List (SHD-12/200/300)

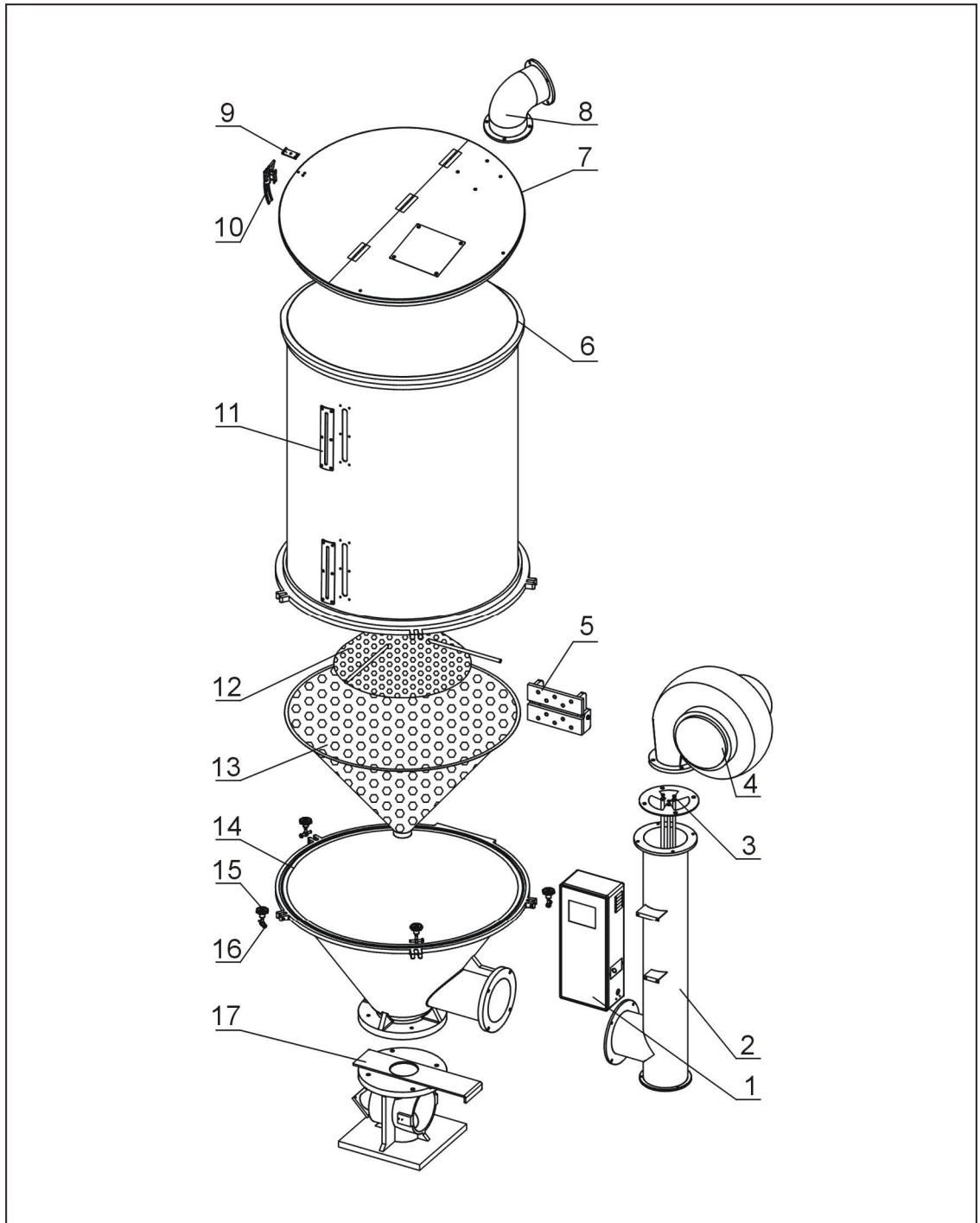
NO.	Name	Part NO.		
		SHD-12	SHD-200	SHD-300
1	Control box**	BH31001200350	BH31020000550	BH31030000950
2	Hot-air pipe**	BA10001200610	BA10020000610	BL01030000220
3	Pipe heater**(SHD)	BH70120300150	BH70203800050	BH70303800050
	Pipe heater** (SHD-H)	BH70120300010	BH70200150010	-
	Pipe heater *(SHD-EH)	YW90122200600	YW90001201500	YW90001501500
4	Blower*	BM40001500550	BM40005000150	BM40005000150
5	Rear hinge at cover	YW06125040000	YW09102000100	YW09102000100
6	Storage hopper	BK01001200020	BK01020000020	BK01030000020
7	Hopper cover	YW09001200300	BW09020000020	BW09020000020
	Cover fastener	YR10002500100	YR10002500200	YR10002500200
8	Exhaust pipe	BA10001200110	BA10020000210	BA10020000210
9	Handle hook	YW00001200000	YW00251000000	YW00251000000
10	Handle	YW00121000000	YW00121000000	YW00121000000
11	Sight glass	YW09000600000	YW09000600000	YW09000600000
	Sight glass acryl	YR40001200000	YR40001200000	YR40001200000
	Sight glass fastener	YR40000600000	YR40000600000	YR40000600000
12	Screen separator**	BL01001200120	BL01020000120	BL01020000120
13	Shade separator**	BL01001200320	BL01020000320	BL01020000320
14	Hopper	BA10001200310	BA10020000110	BA10020000110
	Hopper fastener	YR10002500200	YR10002500200	YR10002500200
15	Star nut	YW09675100000	YW09115600000	YW09115600000
	Star screw	YW09051600100	YW09100000000	YW09100000000
16	Star pin	YW09084500100	YW09085400000	YW09085400000
17	Base**	BY10012000150	BY10200000050	BY10200000050

* means possible broken parts.

** means easy broken parts and spare backup is suggested.

Please confirm the version of manual before placing the purchase order to guarantee that the item number of the spare part is in accordance with the real object.

2.2.7 Assembly Drawing (SHD-400~600)



Remarks: Please refer to material list 2.2.8 for specific explanation of the Arabic numbers in parts drawing.

Picture 2-5: Assembly drawing SHD-400~600

2.2.8 Parts List (SHD-400~600)

Table 2-4: Parts List (SHD-400~600)

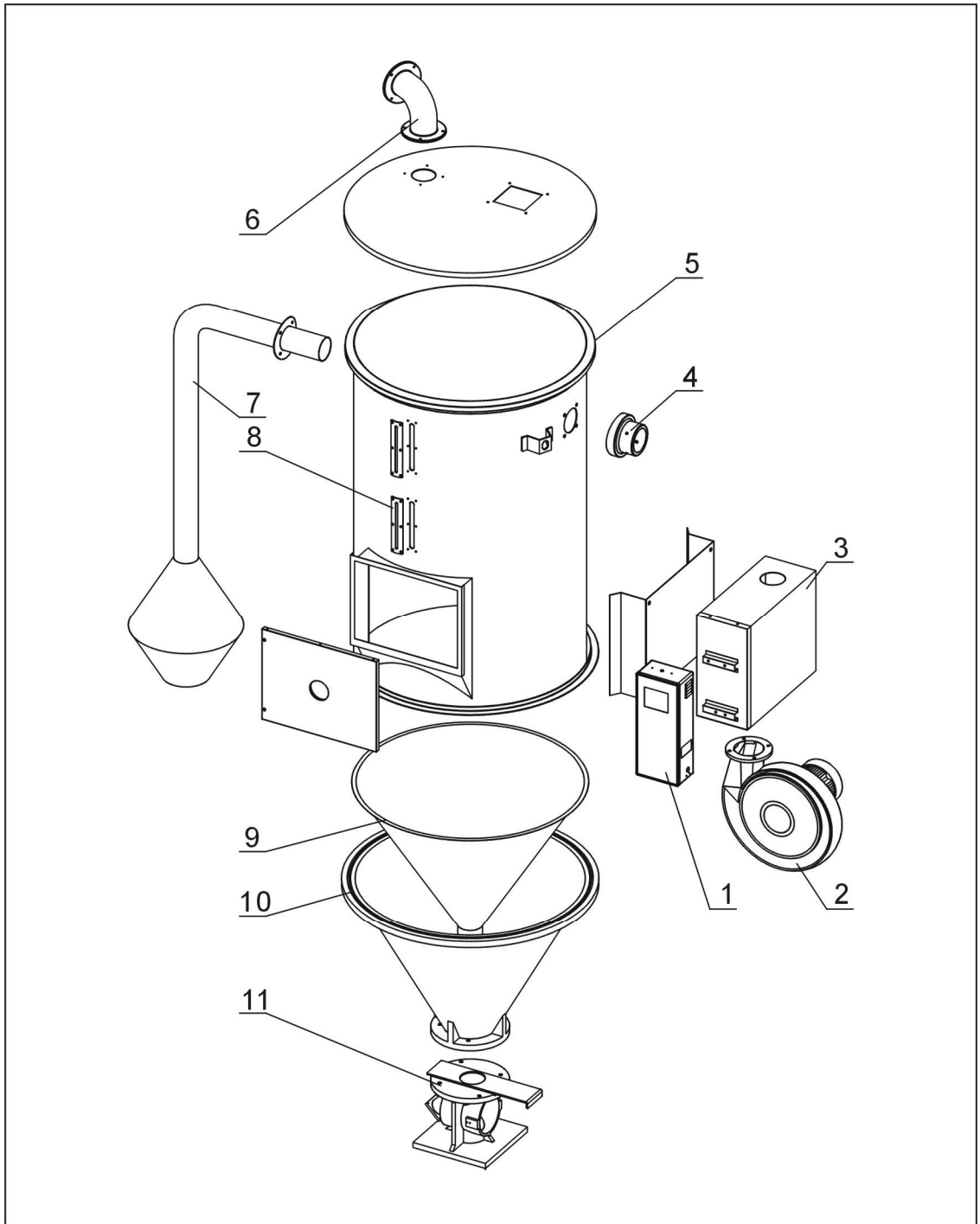
NO.	Name	Part NO.		
		SHD-400	SHD-500	SHD-600
1	Control box**	BH31040007550	BH31050007650	BH31060007750
2	Hot-air pipe**	BA10001200610	BA10001200610	BL01060000220
3	Pipe heater**	BH70403800050	BH70503800050	BH70603800050
4	Blower*	BM40005000150	BM40005000150	BM30055000150
5	Rear hinge at cover	BW09040000110	BW09040000110	BW09040000110
6	Storage hopper	BK01040000020	BK01050000020	BK01060000020
7	Hopper cover	BL01040000720	BL01040000720	BL01040000720
	Cover fastener	YR10002500100	YR10002500100	YR10002500100
8	Exhaust pipe	BA10020000210	BA10020000210	BA10020000210
9	Handle hook	YW00251000000	YW00251000000	YW00251000000
10	Handle	YW00121000000	YW00121000000	YW00121000000
11	Sight glass	YW09000600000	YW09000600000	YW09000600000
	Sight glass acryl	YR40001200000	YR40001200000	YR40001200000
	Sight glass fastener	YR40000600000	YR40000600000	YR40000600000
12	Screen separator**	BL01040000920	BL01040000920	BL01040000920
13	Shade separator**	BL01040000320	BL01040000320	BL01040000320
14	Hopper	BA10040000110	BA10040000110	BA10040000110
	Hopper fastener	YR10002500100	YR10002500100	YR10002500100
15	Star nut	YW09115600000	YW09115600000	YW09115600000
	Star screw	YW09100000000	YW09100000000	YW09100000000
16	Star pin	YW09085400000	YW09085400000	YW09085400000
17	Base**	BY10400000050	BY10400000050	BY10400000050

* means possible broken parts.

** means easy broken parts and spare backup is suggested.

Please confirm the version of manual before placing the purchase order to guarantee that the item number of the spare part is in accordance with the real object.

2.2.9 Assembly Drawing (SHD-800/1000)



Remarks: Please refer to material list 2.2.10 for specific explanation of the Arabic numbers in parts drawing.

Picture 2-6: Assembly drawing SHD-800/1000

2.2.10 Parts List (SHD-800/1000)

Table 2-5: Parts List (SHD-800/1000)

NO.	Name	Part NO.	
		SHD-800	SHD-1000
1	Control box**	BH31080007850	BH31100007950
2	Blower*	BM30113230050	BM30113230050
3	Heating case	BH70244000750	BH70324000750
4	Air inlet flange	BW21601200010	BW21601200010
5	Storage hopper	BK01080000420	BK01100000420
	Cover fastener	YR10002500200	YR10002500200
6	Exhaust pipe	BA10020000210	BA10020000210
7	Down-blow pipe	BL01800000020	BL01801042620
8	Sight glass	YW09000600000	YW09000600000
	Sight glass acryl	YR40001200000	YR40001200000
	Sight glass fastener	YR40000600000	YR40000600000
9	Shade separator**	BL01080000010	BL01080000010
10	Hopper	BA10100000010	BA10100000010
	Hopper fastener	YR10002500200	YR10002500200
11	Base**	BY10400000050	BY10400000050

* means possible broken parts.

** means easy broken parts and spare backup is suggested.

Please confirm the version of manual before placing the purchase order to guarantee that the item number of the spare part is in accordance with the real object.