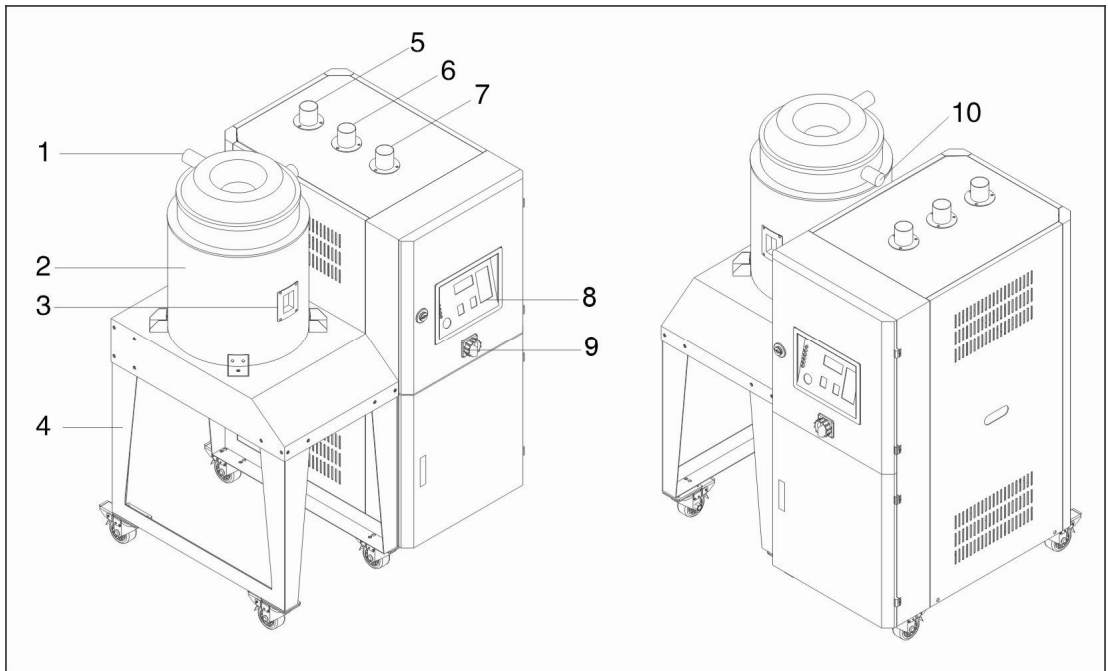


2.5 Drawing and Parts List

2.5.1 Structural Drawing



Parts name:

- | | | | |
|--|----------------------|---------------------|--------------------|
| 1. Return air outlet | 2. Insulated hopper | | |
| 3. Sight-glass window (or material clearance door for hopper capacity more than 80U) | | | |
| 4. Floor stand | 5. Dry air outlet | 6. Return air inlet | 7. Moisture outlet |
| 8. Control panel | 9. Main power switch | 10. Dry air inlet | |

Picture 2-3: Structural Drawing

2.5.3 Parts List (SDD-20U/40H~80U/40H)

Table 2-1: Parts List (SDD-20U/40H~80U/40H)

No.	Description	Part No.		
		20U/40H	40U/40H	80U/40H
1	European heat insulation hopper	BY10002000150	BY10004000150	BY10008000150
2	Fixing reinforcement rib	-	-	-
3	Big shut-off plate SHD-12	YW07001200000	YW07001200000	YW07001200000
4	Shut-off plate flange	BA20002000210	BA20002000210	BA20002000210
5	Zinc plated water pipe direct connection 3/4"	YW51003400000	YW51003400000	YW51003400000
6	Copper insert core M23×3/4"PT	BH12223400010	BH12223400010	BH12223400010
7	Y type water strainer 3/4"	YW57003400000	YW57003400000	YW57003400000
8	Water flow regulator	-	-	-
9	Brake rubber castor 3**	YW03000300000	YW03000300000	YW03000300000
10	Cooler	BW88080000020	BW88080000020	BW88080000020
11	3" Blower *	BM40338000150	BM40338000150	BM40338000150
12	Blower fixing plate	-	-	-
13	Blower air inlet flange	-	-	-
14	Blower air outlet flange	-	-	-
15	Blower air outlet flange fastener	-	-	-
16	High pressure blower RB-125*	BM30012500050	BM30012500050	BM30012500050
17	1.5" Motor flange	-	-	-
18	Black castor 3"/ fixed direction	YW03000301100	YW03000301100	YW03000301100
19	Filter ADC18**	YR50128300100	YR50128300100	YR50128300100
20	Butterfly nut 5/16"	YW69000800000	YW69000800000	YW69000800000
21	Filter barrel lid	-	-	-
22	Fastener for filtering barrel \varnothing 170*	YR10017000000	YR10017000000	YR10017000000
23	Flat gasket 8×18	YW66081800000	YW66081800000	YW66081800000
24	Star nut 5/16"	YW09675100000	YW09675100000	YW09675100000
25	Filter ADC18**	YR50128300000	YR50128300000	YR50128300000
26	Fastener for filtering barrel \varnothing 170	YR10017000100	YR10017000100	YR10017000100
27	big hinge CL203-1(right)	YW06203100200	YW06203100200	YW06203100200
28	Door lock (MS816-1 with key)	YW00816100000	YW00816100000	YW00816100000
29	Plastic panel	YR40000400400	YR40000400400	YR40000400400
30	Exhaust fan **	YM60121200100	YM60121200100	YM60121200100

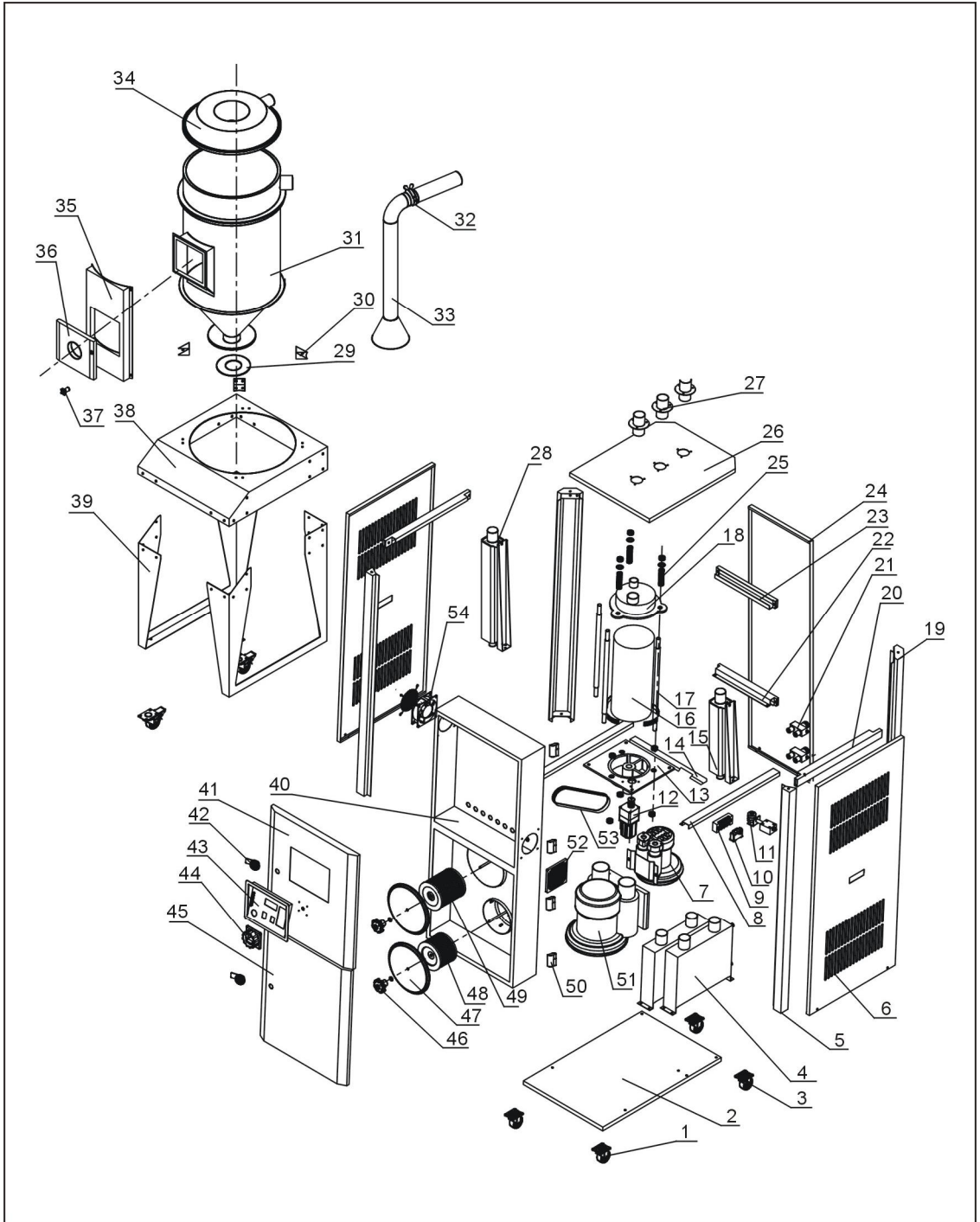
No.	Description	Part No.		
		20U/40H	40U/40H	80U/40H
31	Anti-dust screen **	YR40120300000	YR40120300000	YR40120300000
32	Rack metal plate	-	-	-
33	Honeycomb-rotor	Refer to Picture 2-8	Refer to Picture 2-8	Refer to Picture 2-8
34	Regeneration heater	Refer to Picture 2-10	Refer to Picture 2-10	Refer to Picture 2-10
35	Drying heater	Refer to Picture 2-10	Refer to Picture 2-10	Refer to Picture 2-10

* means possible broken parts.

** means easy broken part. and spare backup is suggested.

Please confirm the version of manual before placing the purchase order to guarantee that the item number of the spare part is in accordance with the real object.

2.5.4 Assembly Drawing (SDD-120U/80H~230U/120H)



Remarks: Please refer to material list 2.5.5 for specific explanation of the Arabic numbers in parts drawing.

Picture 2-5: Assembly Drawing (SDD-120U/80H~230U/120H)

2.5.5 Parts List (SDD-120U/80H~230U/120H)

Table 2-2: Parts List (SDD-120U/80H~230U/120H)

No.	Description	Part No.			
		120U/80H	160U/80H	160U/120H	230U/120H
1	Castor (red)	YW03000300200	YW03000300200	YW03000300200	YW03000300200
2	Bottom plate	-	-	-	-
3	Castor brake	YW03000300000	YW03000300000	YW03000300000	YW03000300000
4	Condenser	BW88080000020	BW88080000020	BW88080000020	BW88080000020
5	Front pole	-	-	-	-
6	Side plate	-	-	-	-
7	Blower *	BM30031000150	BM30031000150	BM30031000150	BM30012500050
8	Side middle beam	-	-	-	-
9	Terminal board	YE61250000000	YE61250000000	YE61250000000	YE61250000000
10	Capacitor	YE25001500000	YE25001500000	YE25001500000	YE25001500000
11	Belt regulator	BH10005000040	BH10005000040	BH10005000040	BH10005000040
12	Gear motor	YM50102600000	YM50102600000	YM50102600000	YM50102600000
13	Honeycomb bottom cover	BA40508000010	BA40508000010	BA40508000010	BA40508000010
14	Rear middle beam	-	-	-	-
15	Regen. heater*	BH70800300050	BH70800300050	BH70800300050	BH70800300050
16	Honeycomb	YW71183000100	YW71183000100	YW71184000100	YW71184000100
17	Two-head screw	BH10543000010	BH10543000010	BH10545000010	BH10545000010
18	Honeycomb upper cover	BA40508000110	BA40508000110	BA40508000110	BA40508000110
19	Rear pole	-	-	-	-
20	Side beam	-	-	-	-
21	Water distributor	-	-	-	-
22	Rear middle beam	-	-	-	-
23	Rear fixing beam	-	-	-	-
24	Rear plate	-	-	-	-
25	Spring	YW01201800000	YW01201800000	YW01201800000	YW01201800000
26	Top cover	-	-	-	-
27	Flange	-	-	-	-
28	Process heater*	BH70120600150	BH70160600150	BH70230600150	BH70230600150
29	Shut-off plate flange	-	-	-	-
30	Fixed stiffener	-	-	-	-
31	Drying hopper	-	-	-	-
32	Stainless steel clamp	YW07002500600	YW07000300000	YW07000300000	YW07000300000
33	Down-blowing pipe	-	-	-	-
34	Hopper top	-	-	-	-

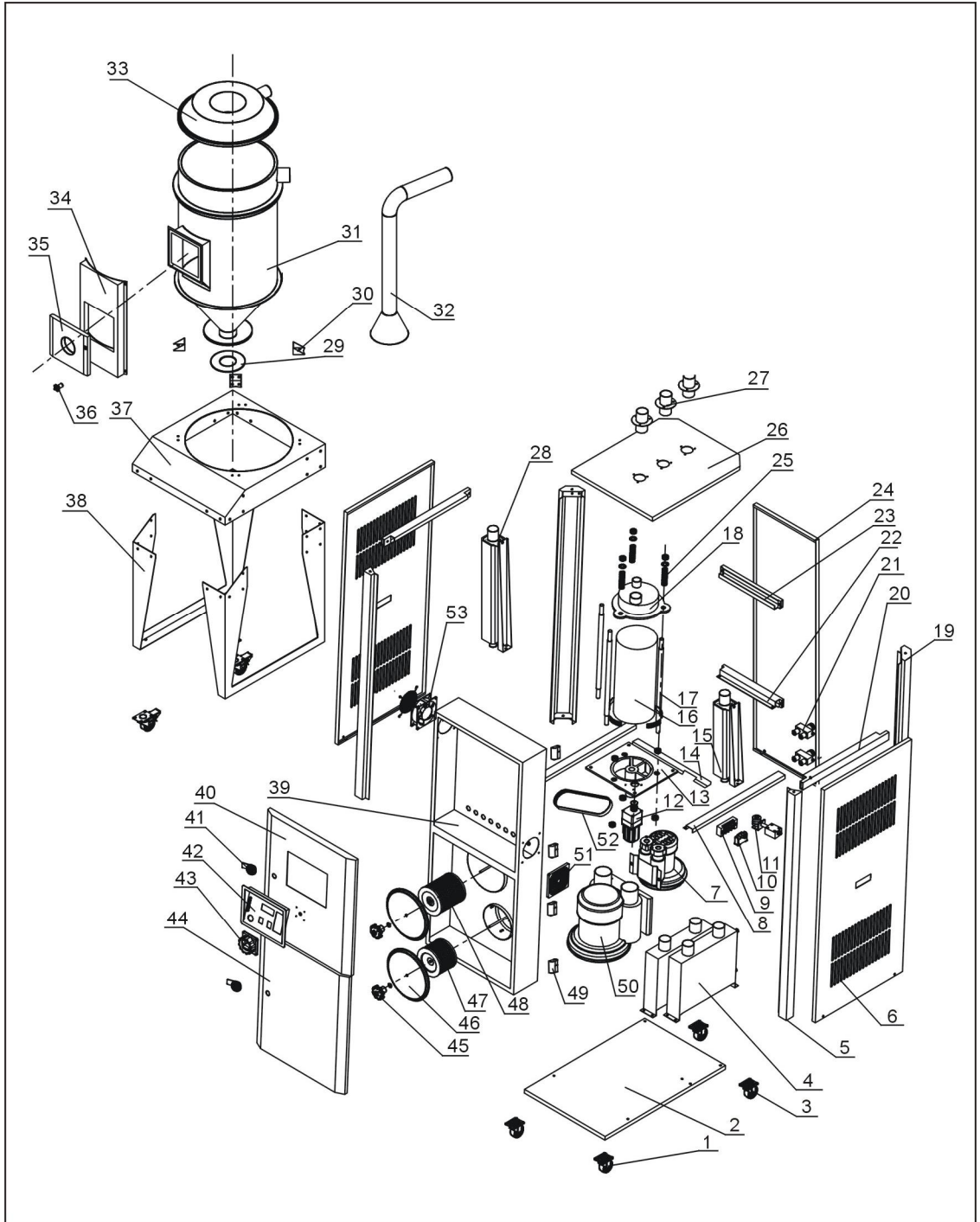
No.	Description	Part No.			
		120U/80H	160U/80H	160U/120H	230U/120H
35	Door frame	-	-	-	-
36	Sight glass window	-	-	-	-
37	Butterfly nut	YW09675100000	YW09675100000	YW09675100000	YW09675100000
38	Stand plate	-	-	-	-
39	Stand fixer	-	-	-	-
40	Control box	BH34012000450	BH34168000350	BH34016000350	BH34231200250
41	Upper door plate	-	-	-	-
42	Door lock	YW00000600000	YW00000600000	YW00000600000	YW00000600000
43	Control panel	YR01003000200	YR01003000200	YR01003000200	YR01003000200
44	Main power supply switch*	YE10210300000	YE10210300000	YE10210300000	YE10210300000
45	Lower door plate	-	-	-	-
46	Butterfly nut	YW09675100000	YW09675100000	YW09675100000	YW09675100000
47	Filter cover	-	-	-	-
48	ADC18 filter**	YR50128300000	YR50128300000	YR50128300000	YR50708000100
49	Filter**	YR50708000100	YR50708000100	YR50708000100	YR50708000100
50	Hinge	YW06203100200	YW06203100200	YW06203100200	YW06203100200
51	Motor *	BM30012500050	BM30012500050	BM30012500050	BM30031000150
52	Anti-dust net	YR40120300000	YR40120300000	YR40120300000	YR40120300000
53	Transmission belt**	YR00202500000	YR00202500000	YR00202500000	YR00203400000
54	Cooling fan**	YM60121200400	YM60121200400	YM60121200400	YM60121200400

* means possible broken parts.

** means easy broken part. and spare backup is suggested.

Please confirm the version of manual before placing the purchase order to guarantee that the item number of the spare part is in accordance with the real object.

2.5.6 Assembly Drawing (SDD-300U/200H~1200U/700H)



Remarks: Please refer to material list 2.5.7 for specific explanation of the Arabic numbers in parts drawing.

Picture 2-6: Assembly Drawing (SDD-300U/200H~1200U/700H)

2.5.7 Parts List (SDD-300U/200H~1200U/700H)

Table 2-3: Parts List (SDD-300U/200H~600U/400H)

No.	Description	Part No.			
		300U/200H	450U/200H	600U/400H	750U/400H
1	Castor (red)	YW03000300200	YW03000300200	YW03000400000	YW03000400000
2	Bottom plate	-	-	-	-
3	Castor brake	YW03000300000	YW03000300000	YW03000400000	YW03000400000
4	Condenser	BW88152000020	BL03154040120	BW88030300020	BW88030300020
5	Front pole	-	-	-	-
6	Side plate	-	-	-	-
7	Blower *	BM30020500050	BM30020500050	BM30031000150	BM30031000150
8	Side middle beam	-	-	-	-
9	Terminal board	YE61250000000	YE61250000000	YE61250000000	YE61250000000
10	Capacitor	YE25001500000	YE25001500000	YE25001500000	YE25001500000
11	Belt regulator	BH10005000040	BH10005000040	BH10005000040	BH10005000040
12	Gear motor	YM50102600000	YM50102600000	YM50512600000	YM50512600000
13	Honeycomb bottom cover	BA40152000010	BA40152000010	BA40304000110	BA40304000110
14	Rear middle beam	-	-	-	-
15	Regen. heater*	BH70200400050	BH70200400050	BH70100000050	BH70100000050
16	Honeycomb	YW71254000100	YW71254000100	YW71354000100	YW71354000100
17	Two-head screw	BH10554500010	BH10554500010	BH10554500010	BH10554500010
18	Honeycomb upper cover	BA40152000110	BA40152000110	BA40304000010	BA40304000010
19	Rear pole	-	-	-	-
20	Side beam	-	-	-	-
21	Water distributor	-	-	-	-
22	Rear middle beam	-	-	-	-
23	Rear fixing beam	-	-	-	-
24	Rear plate	-	-	-	-
25	Spring	YW01201800000	YW01201800000	YW01180300000	YW01180300000
26	Top cover	-	-	-	-
27	Flange	-	-	-	-
28	Process heater*	BH70124000550	BH70124000550	BH70184000550	BH70184000550
29	Shut-off plate flange	-	-	-	-
30	Fixed stiffener	-	-	-	-
31	Drying hopper	-	-	-	-
32	Down-blowing pipe	-	-	-	-
33	Hopper top	-	-	-	-
34	Door frame	-	-	-	-

No.	Description	Part No.			
		300U/200H	450U/200H	600U/400H	750U/400H
35	Sight glass window	-	-	-	-
36	Butterfly nut	YW09675100000	YW09675100000	YW09675100000	YW09675100000
37	Stand plate	-	-	-	-
38	Stand fixer	-	-	-	-
39	Control box	BH34302000250	BH34452000350	BH34604000150	BH34754000150
40	Upper door plate	-	-	-	-
41	Door lock	YW00000600000	YW00000600000	YW00000600000	YW00000600000
42	Control panel	YR01003000200	YR01003000200	YR01003000200	YR01003000200
43	Main power supply switch*	YE10250400000	YE10250400000	YE40606000000	YE40606000000
44	Lower door plate	-	-	-	-
45	Butterfly nut	YW09675100000	YW09675100000	YW09675100000	YW09675100000
46	Filter cover	-	-	-	-
47	ADC18 filter**	YR50708000100	YR50708000100	YR50708000100	YR50708000100
48	Filter**	YR50203000000	YR50181100000	YR50241400000	YR50241400000
49	Hinge	YW06203100200	YW06203100200	YW06203100200	YW06203100200
50	Motor *	BM30042000050	BM30042000050	YM30062900000	YM30062900000
51	Anti-dust net	YR40120300000	YR40120300000	YR40120300000	YR40120300000
52	Transmission belt**	YR00203400000	YR00203400000	YR00204700000	YR00204700000
53	Cooling fan**	YM60121200400	YM60121200400	YM60121200400	YM60121200400

* means possible broken parts.

** means easy broken part. and spare backup is suggested.

Please confirm the version of manual before placing the purchase order to guarantee that the item number of the spare part is in accordance with the real object.

Table 2-4: Parts List (SDD-900U/700H~1200U/700H)

No.	Description	Part No.	
		900U/700H	1200U/700H
1	Castor (red)	YW03000400000	YW03000400000
2	Bottom plate	-	-
3	Castor brake	YW03000400000	YW03000400000
4	Condenser	BW88507000020	BL03507045020
5	Front pole	-	-
6	Side plate	-	-
7	Blower *	BM30042000050	BM30042000050
8	Side middle beam	-	-
9	Terminal board	YE61250000000	YE61250000000
10	Capacitor	YE25001500000	YE25001500000
11	Belt regulator	BH10005000040	BH10005000040
12	Gear motor	YM50512600000	YM50512600000
13	Honeycomb bottom cover	BA40507000010	BA40507000010
14	Rear middle beam	-	-
15	Regen. heater*	BH70501000050	BH70501000050
16	Honeycomb	YW71444000100	YW71444000100
17	Two-head screw	BH10554500010	BH10554500010
18	Honeycomb upper cover	BA40507000110	BA40507000110
19	Rear pole	-	-
20	Side beam	-	-
21	Water distributor	-	-
22	Rear middle beam	-	-
23	Rear fixing beam	-	-
24	Rear plate	-	-
25	Spring	YW01180300000	YW01180300000
26	Top cover	-	-
27	Flange	-	-
28	Process heater*	BH70244000850	BH70244000850
29	Shut-off plate flange	-	-
30	Fixed stiffener	-	-
31	Drying hopper	-	-
32	Down-blowing pipe	-	-
33	Hopper top	-	-
34	Door frame	-	-
35	Sight glass window	-	-
36	Butterfly nut	YW09675100000	YW09675100000
37	Stand plate	-	-

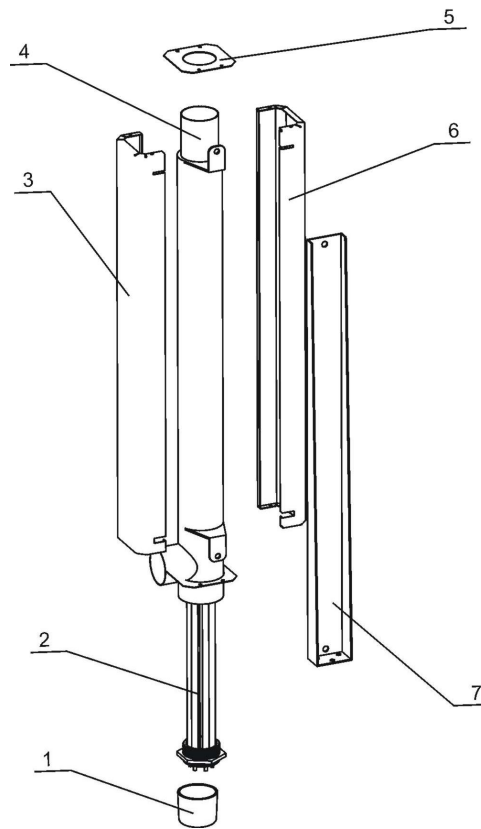
No.	Description	Part No.	
		900U/700H	1200U/700H
38	Stand fixer	-	-
39	Control box	BH34907000150	BH34120000150
40	Upper door plate	-	-
41	Door lock	YW00000600000	YW00000600000
42	Control panel	YR01003000200	YR01003000200
43	Main power supply switch*	YE40601500000	YE40601500000
44	Lower door plate	-	-
45	Butterfly nut	YW09675100000	YW09675100000
46	Filter cover	-	-
47	ADC18 filter**	YW03000200000	YW03000200000
48	Filter**	YR50241400000	YR50241400000
49	Hinge	YW06203400000	YW06203400000
50	Motor *	YM30072900000	YM30072900000
51	Anti-dust net	YR40120300000	YR40120300000
52	Transmission belt**	YR00205800000	YR00205800000
53	Cooling fan**	YM60121200400	YM60121200400

* means possible broken parts.

** means easy broken part. and spare backup is suggested.

Please confirm the version of manual before placing the purchase order to guarantee that the item number of the spare part is in accordance with the real object.

2.5.8 Pipe Heaters

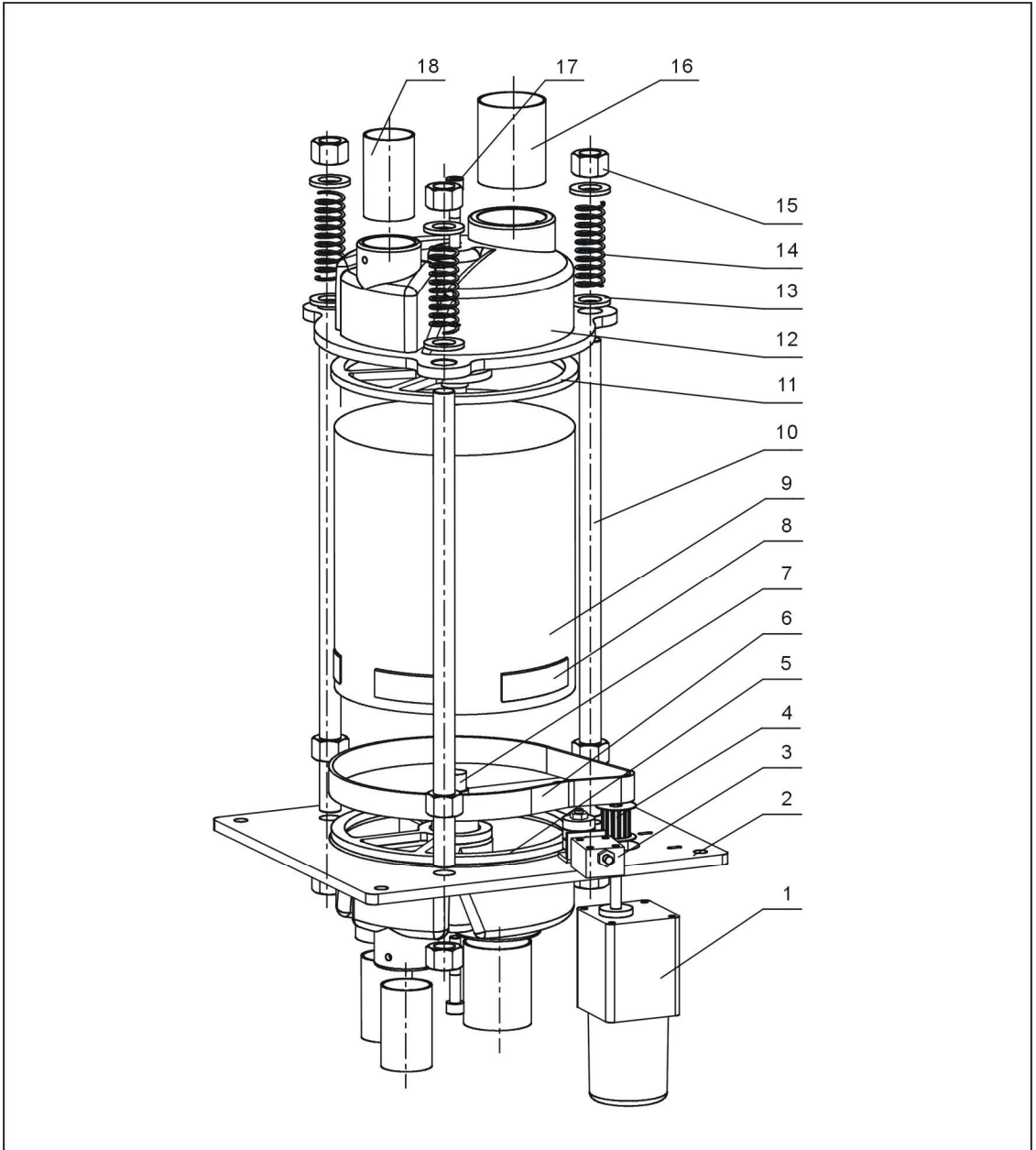


Parts name:

- | | | |
|------------------------|-----------------------|---------------------------|
| 1. Electric wood cover | 2. Pipe heater | 3. Heater wrapper sheet 1 |
| 4. Heating tank | 5. Heater cover plate | 6. Heater wrapper sheet 2 |
| 7. Heater fixed seat | | |

Picture 2-7: Pipe Heaters

2.5.9 Honeycomb (SDD-20U/40H~80U/40H)



Picture 2-8: Honeycomb Parts Drawing (SDD-20U/40H~80U/40H)

Table 2-5: Parts List (SDD-20U/40H~80U/40H)

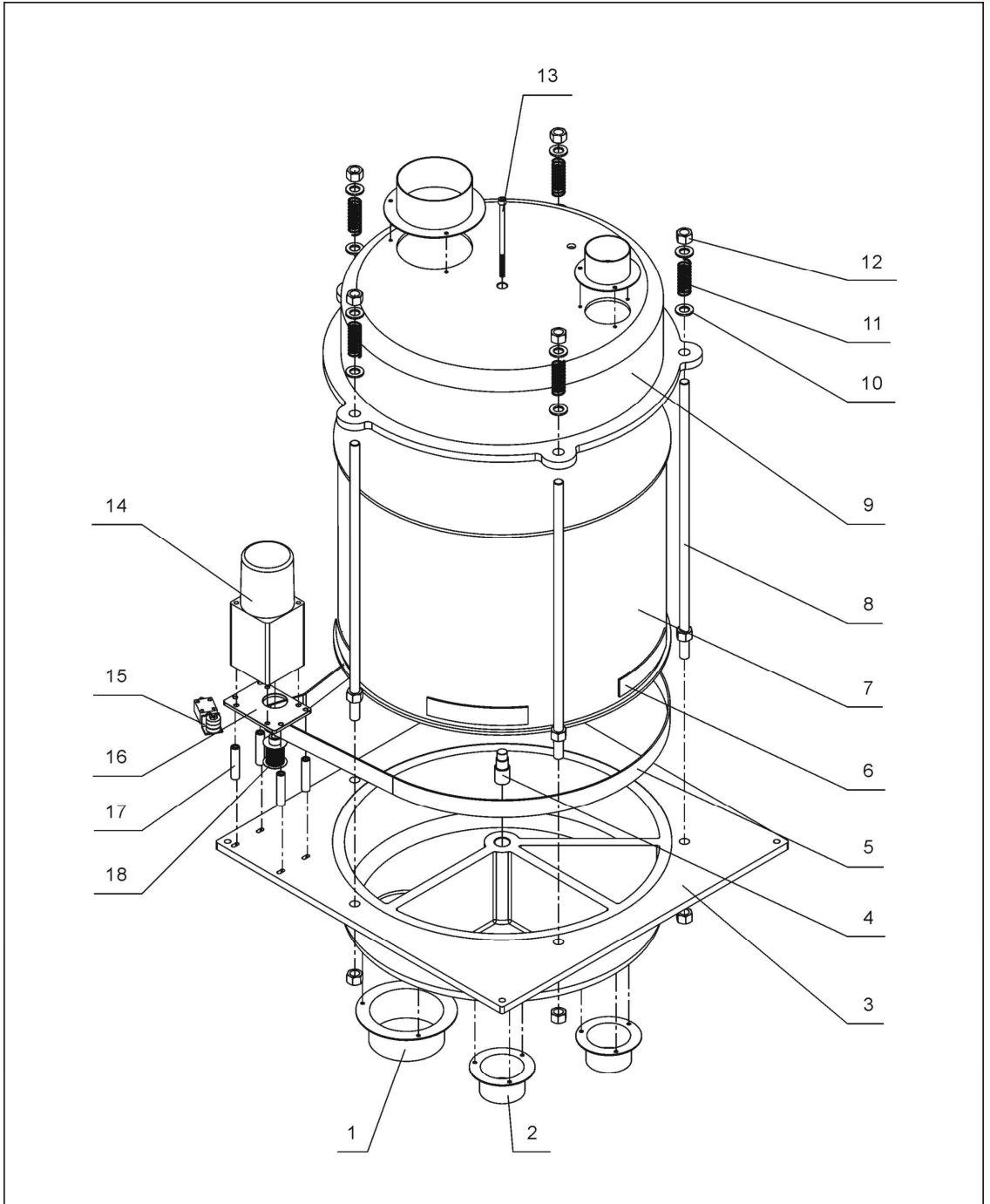
No.	Description	Part No.	No.	Description	Part No.
1	Gearmotor *	YM50102600000	10	Double-thread screw	-
2	Rotor bottom cover	BA40508000010	11	Silica gel Teflon pad (top) *	YR10081200200
3	Belt tension regulator	BH10005000040	12	Rotor top cover	BA40508000110
4	Synchronous wheel	YW08001400100	13	Flat gasket 16	YW66163000000
5	Silica gel Teflon pad (bottom) *	YR10081200000	14	Spring	YW01201800000
6	Synchronous belt **	YR00202500000	15	Hexagon nut M16	YW64001600000
7	Honeycomb installation shaft	BH10005003110	16	Drying air flange	-
8	Synchronous gear belt**	YR00003000000	17	Inner hexagon cylindrical screw M8×45	YW61084500000
9	Honeycomb	YW71182000000	18	Regeneration flange	-

* means possible broken parts.

** means easy broken part. and spare backup is suggested.

Please confirm the version of manual before placing the purchase order to guarantee that the item number of the spare part is in accordance with the real object.

2.5.10 Honeycomb (SDD-900U/700H 1200U/700H)



Picture 2-9: Honeycomb Parts Drawing (SDD-900U/700H 1200U/700H)

Table 2-6: Parts List (SDD-900U/700H 1200U/700H)

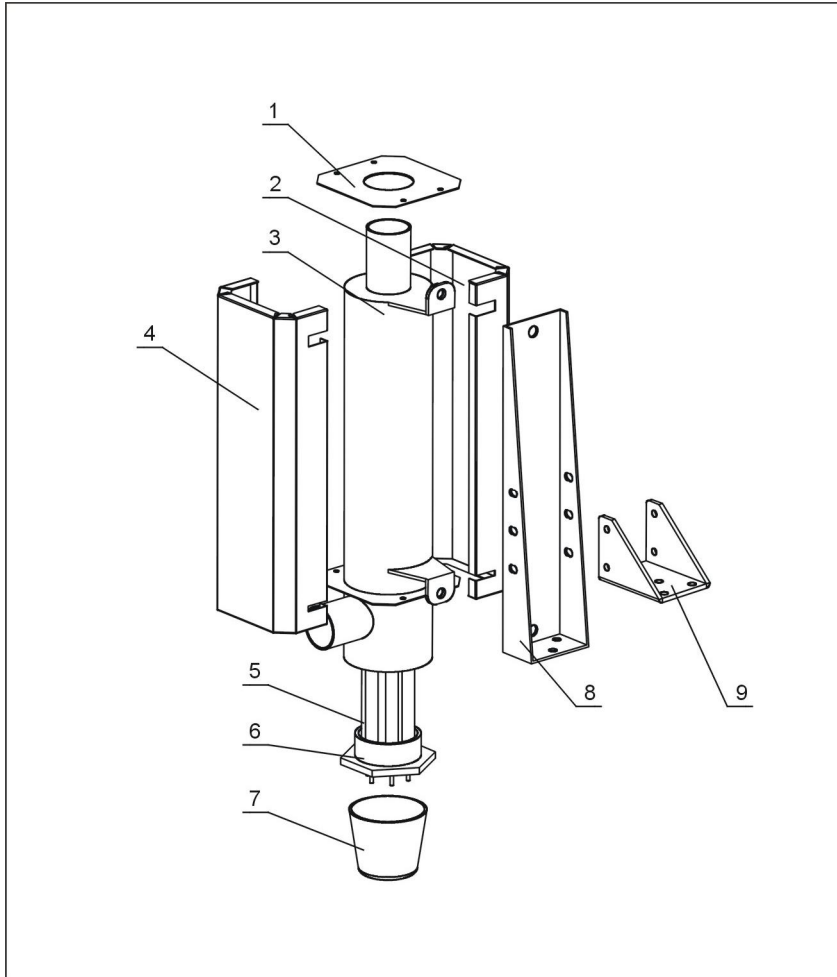
No.	Description	Part No.	No.	Description	Part No.
1	4" Honeycom flange	-	10	Flat washer 16	-
2	2.5" honeycomb flange	-	11	Spring	YW01201800000
3	Lower cover	-	12	Hex nut M16	-
4	Honeycomb shaft	-	13	Hexgon socket head cap screw M8	-
5	Synchronous belt	YR00305800000	14	Gear motor	YM50512600000
6	Synchronous pulley	YR00003000000	15	Belt adjustor	-
7	Honeycomb	YW71440400000	16	Mounting plate of gear motor	-
8	Double-end screw	BH10554500040	17	Locating tube	-
9	Upper cover	-	18	Synchronous pulley	-

* means possible broken parts.

** means easy broken part. and spare backup is suggested.

Please confirm the version of manual before placing the purchase order to guarantee that the item number of the spare part is in accordance with the real object.

2.5.11 Heater (SDD-20U/40H~80U/40H)



Picture 2-10: Heater Assembly (SDD-20U/40H~80U/40H)

Table 2-7: Heater Assembly Parts List (SDD-20U/40H~80U/40H)

No.	Description	Part No.	No.	Description	Part No.
1	Heater cover plate	-	6	Heater copper head	BH12200500310
2	Heater cover plate 1	-	7	Bakelite cover	YR90200600000
3	Heating tank	-	8	Heater fixed frame	-
4	Heater cover plate 2	-	9	Heater fixed corner	-
5	Pipe heater *	BH70434600000			

* means possible broken parts.

** means easy broken part. and spare backup is suggested.

Please confirm the version of manual before placing the purchase order to guarantee that the item number of the spare part is in accordance with the real object.