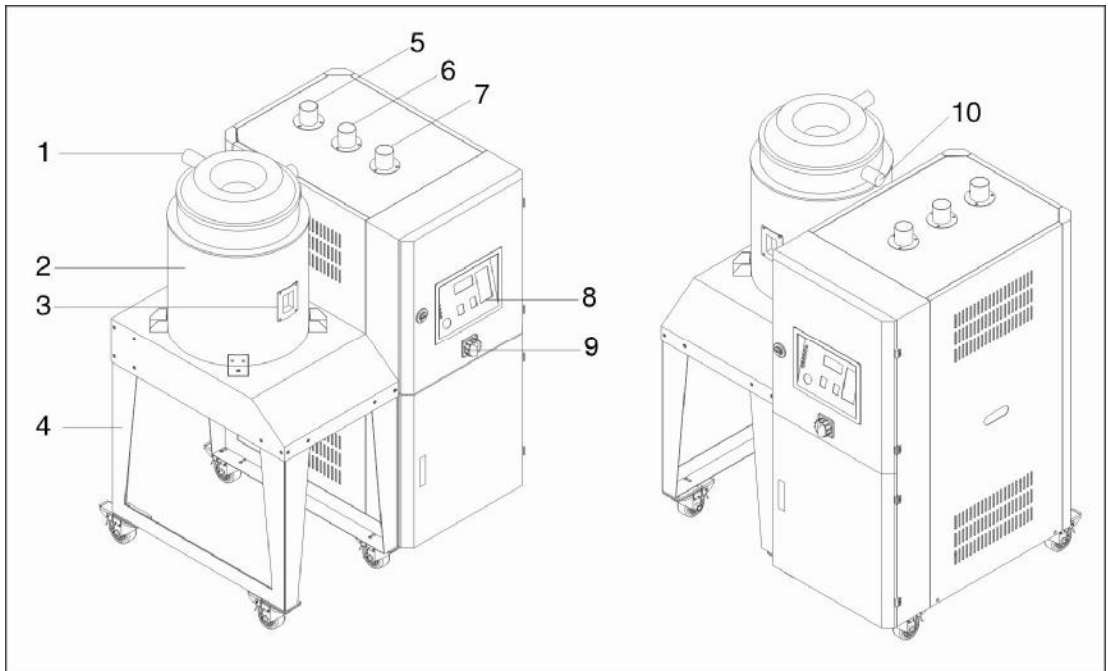


2.6 Drawing and Parts List

2.6.1 Structural Drawing

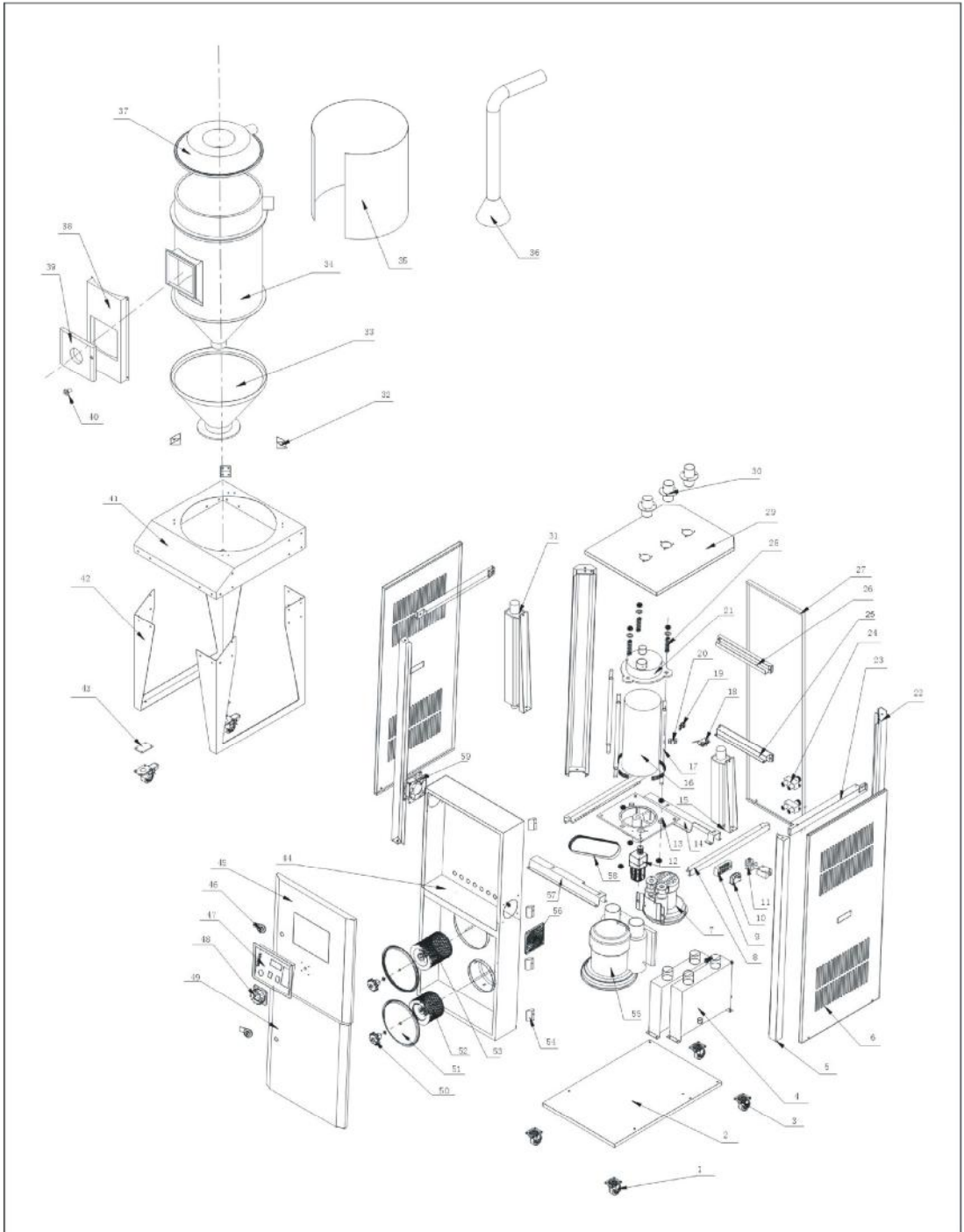


Parts name:

- | | | | |
|--|----------------------|---------------------|--------------------|
| 1. Return air outlet | 2. Insulated hopper | | |
| 3. Sight-glass window (or material clearance door for hopper capacity more than 80U) | | | |
| 4. Floor stand | 5. Dry air outlet | 6. Return air inlet | 7. Moisture outlet |
| 8. Control panel | 9. Main power switch | 10. Dry air inlet | |

Picture 2-3: Structural Drawing

2.6.2 Assembly Drawing



Remarks: Please refer to material list 2.7.3 for specific explanation of the Arabic numbers in parts drawing.

Picture 2-4: Assembly Drawing

2.6.3 Parts List

Table 2-1: Parts List (SDD-20U/30H~80U/50H)

No.	Description	Part No.			
		20U/30H	40U/30H	40U/50H	80U/50H
1	Castor (red)	YW03000300200	YW03000300200	YW03000300200	YW03000300200
2	Bottom plate	-	-	-	-
3	Castor brake	YW03000300000	YW03000300000	YW03000300000	YW03000300000
4	Condenser	BW88030500020	BW88030500020	BW88030500020	BW88030500020
5	Front pole	-	-	-	-
6	Side plate	-	-	-	-
7	Blower *	BM30012500050	BM30012500050	BM30020500050	BM30020500050
8	Side middle beam	-	-	-	-
9	Terminal board	YE61250000000	YE61250000000	YE61250000000	YE61250000000
10	Capacitor	YE25001500000	YE25001500000	YE25001500000	YE25001500000
11	Belt adjustor square block	BH10005000040	BH10005000040	BH10005000040	BH10005000040
12	Gear motor	YM50102600000	YM50102600000	YM50102600000	YM50102600000
13	Honeycomb bottom cover	BA40003000010	BA40003000010	BA40508000010	BA40508000010
14	Rear middle beam	-	-	-	-
15	Regen. heater*	BH70300300050	BH70300300050	BH70500300050	BH70500300050
16	Honeycomb	YW71152000100	YW71152000100	YW71182000100	YW71182000100
17	Two-head screw	BH10533000010	BH10533000010	BH10533000010	BH10533000010
18	Microswitch *	YE14152400000	YE14152400000	YE14152400000	YE14152400000
19	Fixed seat of Microswitch (left smaller one)	YR40000100300	YR40000100300	YR40000100300	YR40000100300
20	Fixed seat of Microswitch (right bigger one)	YR40000100200	YR40000100200	YR40000100200	YR40000100200
21	Honeycomb upper cover	BA40003000110	BA40003000110	BA40508000110	BA40508000110
22	Rear pole	-	-	-	-
23	Side beam	-	-	-	-
24	Water distributor	-	-	-	-
25	Rear middle beam	-	-	-	-
26	Rear fixing beam	-	-	-	-
27	Rear plate	-	-	-	-
28	Spring	YW01201800000	YW01201800000	YW01201800000	YW01201800000
29	Top cover	-	-	-	-
30	Flange	-	-	-	-
31	Process heater*	BH70160600150	BH70403900150	BH70803900150	BH70803900150

No.	Description	Part No.			
		20U/30H	40U/30H	40U/50H	80U/50H
32	Outer fastener	-	-	-	-
33	Outer hopper cone	-	-	-	-
34	Material hopper	-	-	-	-
35	Hopper tank cover	-	-	-	-
36	Down-blowing pipe	-	-	-	-
37	Hopper top	-	-	-	-
38	Door frame	-	-	-	-
39	Sight glass window	-	-	-	-
40	Butterfly nut	YW09051600000	YW09051600000	YW09051600000	YW09051600000
41	Stand plate	-	-	-	-
42	Stand fixer	-	-	-	-
43	Castor fixer	-	-	-	-
44	Control box	BH34405000250	BH34405000250	BH34405000250	BH34405000250
45	Upper door plate	-	-	-	-
46	Door lock	YW00000600000	YW00000600000	YW00000600000	YW00000600000
47	Control panel	YR01003000200	YR01003000200	YR01003000200	YR01003000200
48	Main power supply switch*	YE10200300000	YE10200300000	YE10200300000	YE10210300000
49	Lower door plate	-	-	-	-
50	Butterfly nut	YW09051600000	YW09051600000	YW09051600000	YW09051600000
51	Filter cover	-	-	-	-
52	ADC18 filter**	YR50128300000	YR50128300000	YR50128300000	YR50128300000
53	Filter**	YR50128300000	YR50128300000	YR50128300000	YR50128300000
54	Hinge	YW06203100200	YW06203100200	YW06203100200	YW06203100200
55	Motor *	BM30012500050	BM30012500050	BM30012500050	BM30012500050
56	Anti-dust net	YR40120300000	YR40120300000	YR40120300000	YR40120300000
57	Front middle beam	-	-	-	-
58	Transmission belt**	YR00202200000	YR00202200000	YR00202500000	YR00202500000
59	Cooling fan**	YM60121200400	YM60121200400	YM60121200400	YM60121200400

* means possible broken parts.

** means easy broken part. and spare backup is suggested.

Please confirm the version of manual before placing the purchase order to guarantee that the item number of the spare part is in accordance with the real object.

Table 2-2: Parts List (SDD-120U/50H~160U/120H)

No.	Description	Part No.		
		120U/80H	160U/80H	160U/120H
1	Castor (red)	YW03000300200	YW03000300200	YW03000300200
2	Bottom plate	-	-	-
3	Castor brake	YW03000300000	YW03000300000	YW03000300000
4	Condenser	BW88081200020	BW88081200020	BW88081200020
5	Front pole	-	-	-
6	Side plate	-	-	-
7	Blower *	BM30031000150	BM30031000150	BM30031000150
8	Side middle beam	-	-	-
9	Terminal board	YE61250000000	YE61250000000	YE61250000000
10	Capacitor	YE25001500000	YE25001500000	YE25001500000
11	Belt adjustor square block	BH10005000040	BH10005000040	BH10005000040
12	Gear motor	YM50102600000	YM50102600000	YM50102600000
13	Honeycomb bottom cover	BA40508000010	BA40508000010	BA40508000010
14	Rear middle beam	-	-	-
15	Regen. heater*	BH70800300050	BH70800300050	BH70800300050
16	Honeycomb	YW71183000100	YW71183000100	YW71184000100
17	Two-head screw	BH10543000010	BH10543000010	BH10554500010
18	Microswitch *	YE14152400000	YE14152400000	YE14152400000
19	Fixed seat of Microswitch (left smaller one)	YR40000100300	YR40000100300	YR40000100300
20	Fixed seat of Microswitch (right bigger one)	YR40000100200	YR40000100200	YR40000100200
21	Honeycomb upper cover	BA40508000110	BA40508000110	BA40508000110
22	Rear pole	-	-	-
23	Side beam	-	-	-
24	Water distributor	-	-	-
25	Rear middle beam	-	-	-
26	Rear fixing beam	-	-	-
27	Rear plate	-	-	-
28	Spring	YW01201800000	YW01201800000	YW01201800000
29	Top cover	-	-	-
30	Flange	-	-	-
31	Process heater*	BH70120600150	BH70160600150	BH70230600150
32	Outer fastener	-	-	-
33	Outer hopper cone	-	-	-

No.	Description	Part No.		
		120U/80H	160U/80H	160U/120H
34	Material hopper	-	-	-
35	Hopper tank cover	-	-	-
36	Down-blowing pipe	-	-	-
37	Hopper top	-	-	-
38	Door frame	-	-	-
39	Sight glass window	-	-	-
40	Butterfly nut	YW09051600000	YW09051600000	YW09051600000
41	Stand plate	-	-	-
42	Stand fixer	-	-	-
43	Castor fixer	-	-	-
44	Control box	BH34012000450	BH34168000350	BH34016000350
45	Upper door plate	-	-	-
46	Door lock	YW00000600000	YW00000600000	YW00000600000
47	Control panel	YR01003000200	YR01003000200	YR01003000200
48	Main power supply switch*	YE10210300000	YE10210300000	YE10210300000
49	Lower door plate	-	-	-
50	Butterfly nut	YW09051600000	YW09051600000	YW09051600000
51	Filter cover	-	-	-
52	ADC18 filter**	YR50128300000	YR50128300000	YR50128300000
53	Filter**	YR50708000100	YR50708000100	YR50708000100
54	Hinge	YW06203100200	YW06203100200	YW06203100200
55	Motor *	BM30012500050	BM30012500050	BM30012500050
56	Anti-dust net	YR40120300000	YR40120300000	YR40120300000
57	Front middle beam	-	-	-
58	Transmission belt**	YR00202500000	YR00202500000	YR00202500000
59	Cooling fan**	YM60121200400	YM60121200400	YM60121200400

* means possible broken parts.

** means easy broken part. and spare backup is suggested.

Please confirm the version of manual before placing the purchase order to guarantee that the item number of the spare part is in accordance with the real object.

Table 2-3: Parts List (SDD-230U/120H~300U/200H)

No.	Description	Part No.			
		230U/120H	230U/150H	300U/150H	300U/200H
1	Castor (red)	YW03000300200	YW03000300200	YW03000300200	YW03000300200
2	Bottom plate	-	-	-	-
3	Castor brake	YW03000300000	YW03000300000	YW03000300000	YW03000300000
4	Condenser	BW88152000020	BW88152000020	BW88152000020	BW88152000020
5	Front pole	-	-	-	-
6	Side plate	-	-	-	-
7	Blower *	BM30012500050	BM30020500050	BM30020500050	BM30020500050
8	Side middle beam	-	-	-	-
9	Terminal board	YE61250000000	YE61250000000	YE61250000000	YE61250000000
10	Capacitor	YE25001500000	YE25001500000	YE25001500000	YE25001500000
11	Belt adjustor square block	BH10005000040	BH10005000040	BH10005000040	BH10005000040
12	Gear motor	YM50102600000	YM50102600000	YM50102600000	YM50102600000
13	Honeycomb bottom cover	BA40508000010	BA40152000010	BA40152000010	BA40152000010
14	Rear middle beam	-	-	-	-
15	Regen. heater*	BH70800300050	BH70150400050	BH70150400050	BH70200400050
16	Honeycomb	YW71184000100	YW71253000100	YW71253000100	YW71254000100
17	Two-head screw	BH10554500010	BH10543000010	BH10543000010	BH10554500010
18	Microswitch *	YE14152400000	YE14152400000	YE14152400000	YE14152400000
19	Fixed seat of Microswitch (left smaller one)	YR40000100300	YR40000100300	YR40000100300	YR40000100300
20	Fixed seat of Microswitch (right bigger one)	YR40000100200	YR40000100200	YR40000100200	YR40000100200
21	Honeycomb upper cover	BA40508000110	BA40152000110	BA40152000110	BA40152000110
22	Rear pole	-	-	-	-
23	Side beam	-	-	-	-
24	Water distributor	-	-	-	-
25	Rear middle beam	-	-	-	-
26	Rear fixing beam	-	-	-	-
27	Rear plate	-	-	-	-
28	Spring	YW01201800000	YW01201800000	YW01201800000	YW01201800000
29	Top cover	-	-	-	-
30	Flange	-	-	-	-
31	Process heater*	BH70230600150	BH70451200050	BH70451200050	BH70451200050
32	Outer fastener	-	-	-	-
33	Outer hopper cone	-	-	-	-
34	Material hopper	-	-	-	-

No.	Description	Part No.			
		230U/120H	230U/150H	300U/150H	300U/200H
35	Hopper tank cover	-	-	-	-
36	Down-blowing pipe	-	-	-	-
37	Hopper top	-	-	-	-
38	Door frame	-	-	-	-
39	Sight glass window	-	-	-	-
40	Butterfly nut	YW09051600000	YW09051600000	YW09051600000	YW09051600000
41	Stand plate	-	-	-	-
42	Stand fixer	-	-	-	-
43	Castor fixer	-	-	-	-
44	Control box	BH34231200250	BH34231500250	BH34231500250	BH34302000250
45	Upper door plate	-	-	-	-
46	Door lock	YW00000600000	YW00000600000	YW00000600000	YW00000600000
47	Control panel	YR01003000200	YR01003000200	YR01003000200	YR01003000200
48	Main power supply switch*	YE10210300000	YE10210300000	YE10210300000	YE10250400000
49	Lower door plate	-	-	-	-
50	Butterfly nut	YW09051600000	YW09051600000	YW09051600000	YW09051600000
51	Filter cover	-	-	-	-
52	ADC18 filter**	YR50708000100	YR50708000100	YR50708000100	YR50708000100
53	Filter**	YR50708000100	YR50181100000	YR50203000000	YR50203000000
54	Hinge	YW06203100200	YW06203100200	YW06203100200	YW06203100200
55	Motor *	BM30031000150	BM30042000050	BM30042000050	BM30042000050
56	Anti-dust net	YR40120300000	YR40120300000	YR40120300000	YR40120300000
57	Front middle beam	-	-	-	-
58	Transmission belt**	YR00203400000	YR00203400000	YR00203400000	YR00203400000
59	Cooling fan**	YM60121200400	YM60121200400	YM60121200400	YM60121200400

* means possible broken parts.

** means easy broken part. and spare backup is suggested.

Please confirm the version of manual before placing the purchase order to guarantee that the item number of the spare part is in accordance with the real object.

Table 2-4: Parts List (SDD-450U/200H~600U/300H)

No.	Description	Part No.		
		450U/200H	450U/300H	600U/300H
1	Castor (red)	YW03000300200	YW03000300200	YW03000400200
2	Bottom plate	-	-	-
3	Castor brake	YW03000300000	YW03000300000	YW03000400000
4	Condenser	BW88152000020	BW88304000020	BW88304000020
5	Front pole	-	-	-
6	Side plate	-	-	-
7	Blower *	BM30020500050	BM30031000150	BM30031000150
8	Side middle beam	-	-	-
9	Terminal board	YE61250000000	YE61250000000	YE61250000000
10	Capacitor	YE25001500000	YE25001500000	YE25001500000
11	Belt adjustor square block	BH10005000040	BH10005000040	BH10005000040
12	Gear motor	YM50102600000	YM50512600000	YM50512600000
13	Honeycomb bottom cover	BA40152000010	BA40152000010	BA40304000110
14	Rear middle beam	-	-	-
15	Regen. heater*	BH70200400050	BH70307200250	BH70307200250
16	Honeycomb	YW71254000100	YW71353000100	YW71353000100
17	Two-head screw	BH10554500010	BH10543000010	YW71353000100
18	Microswitch *	YE14152400000	YE14152400000	YE14152400000
19	Fixed seat of Microswitch (left smaller one)	YR40000100300	YR40000100300	YR40000100300
20	Fixed seat of Microswitch (right bigger one)	YR40000100200	YR40000100200	YR40000100200
21	Honeycomb upper cover	BA40152000110	BA40152000110	BA40304000010
22	Rear pole	-	-	-
23	Side beam	-	-	-
24	Water distributor	-	-	-
25	Rear middle beam	-	-	-
26	Rear fixing beam	-	-	-
27	Rear plate	-	-	-
28	Spring	YW01201800000	YW01201800000	YW01180300000
29	Top cover	-	-	-
30	Flange	-	-	-
31	Process heater*	BH70451200050	BH70451200150	BH70601500150
32	Outer fastener	-	-	-
33	Outer hopper cone	-	-	-

No.	Description	Part No.		
		450U/200H	450U/300H	600U/300H
34	Material hopper	-	-	-
35	Hopper tank cover	-	-	-
36	Down-blowing pipe	-	-	-
37	Hopper top	-	-	-
38	Door frame	-	-	-
39	Sight glass window	-	-	-
40	Butterfly nut	YW09051600000	YW09051600000	YW09001000000
41	Stand plate	-	-	-
42	Stand fixer	-	-	-
43	Castor fixer	-	-	-
44	Control box	BH34452000350	BH34453000250	BH34603000250
45	Upper door plate	-	-	-
46	Door lock	YW00000600000	YW00000600000	YW00000600000
47	Control panel	YR01003000200	YR01003000200	YR01003000200
48	Main power supply switch*	YE10250400000	YE40636300000	YE40636300000
49	Lower door plate	-	-	-
50	Butterfly nut	YW09051600000	YW09051600000	YW09001000000
51	Filter cover	-	-	-
52	ADC18 filter**	YR50708000100	YR50708000100	YR50708000100
53	Filter**	YR50181100000	YR50181100000	YR50241400000
54	Hinge	YW06203100200	YW06203100200	YW06203100200
55	Motor *	BM30042000050	YM30052900000	YM30052900000
56	Anti-dust net	YR40120300000	YR40120300000	YR40120300000
57	Front middle beam	-	-	-
58	Transmission belt**	YR00203400000	YR00204700000	YR00204700000
59	Cooling fan**	YM60121200400	YM60121200400	YM60121200400

* means possible broken parts.

** means easy broken part. and spare backup is suggested.

Please confirm the version of manual before placing the purchase order to guarantee that the item number of the spare part is in accordance with the real object.

Table 2-5: Parts List (SDD-600U/400H~750U/400H)

No.	Description	Part No.	
		600U/400H	750U/400H
1	Castor (red)	YW03000400000	YW03000400000
2	Bottom plate	-	-
3	Castor brake	YW03000400000	YW03000400000
4	Condenser	BW88304000020	BW88304000020
5	Front pole	-	-
6	Side plate	-	-
7	Blower *	BM30031000150	BM30031000150
8	Side middle beam	-	-
9	Terminal board	YE61250000000	YE61250000000
10	Capacitor	YE25001500000	YE25001500000
11	Belt adjustor square block	BH10005000040	BH10005000040
12	Gear motor	YM50512600000	YM50512600000
13	Honeycomb bottom cover	BA40304000110	BA40304000110
14	Rear middle beam	-	-
15	Regen. heater*	BH70100000050	BH70100000050
16	Honeycomb	YW71354000100	YW71354000100
17	Two-head screw	BH10554500010	BH10554500010
18	Microswitch *	YE14152400000	YE14152400000
19	Fixed seat of Microswitch (left smaller one)	YR40000100300	YR40000100300
20	Fixed seat of Microswitch (right bigger one)	YR40000100200	YR40000100200
21	Honeycomb upper cover	BA40304000010	BA40304000010
22	Rear pole	-	-
23	Side beam	-	-
24	Water distributor	-	-
25	Rear middle beam	-	-
26	Rear fixing beam	-	-
27	Rear plate	-	-
28	Spring	YW01180300000	YW01180300000
29	Top cover	-	-
30	Flange	-	-
31	Process heater*	BH70601500150	BH70601500150
32	Outer fastener	-	-
33	Outer hopper cone	-	-

No.	Description	Part No.	
		600U/400H	750U/400H
34	Material hopper	-	-
35	Hopper tank cover	-	-
36	Down-blowing pipe	-	-
37	Hopper top	-	-
38	Door frame	-	-
39	Sight glass window	-	-
40	Butterfly nut	YW09051600000	YW09051600000
41	Stand plate	-	-
42	Stand fixer	-	-
43	Castor fixer	-	-
44	Control box	BH34604000150	BH34754000150
45	Upper door plate	-	-
46	Door lock	YW00000600000	YW00000600000
47	Control panel	YR01003000200	YR01003000200
48	Main power supply switch*	YE40636300000	YE40636300000
49	Lower door plate	-	-
50	Butterfly nut	YW09051600000	YW09051600000
51	Filter cover	-	-
52	ADC18 filter**	YR50708000100	YR50708000100
53	Filter**	YR50241400000	YR50241400000
54	Hinge	YW06203100200	YW06203100200
55	Motor *	YM30062900000	YM30062900000
56	Anti-dust net	YR40120300000	YR40120300000
57	Front middle beam	-	-
58	Transmission belt**	YR00204700000	YR00204700000
59	Cooling fan**	YM60121200400	YM60121200400

* means possible broken parts.

** means easy broken part. and spare backup is suggested.

Please confirm the version of manual before placing the purchase order to guarantee that the item number of the spare part is in accordance with the real object.

Table 2-6: Parts List (SDD-900U/700H~1200U/700H)

No.	Description	Part No.	
		900U/700H	1200U/700H
1	Castor (red)	YW03000400000	YW03000400000
2	Bottom plate	-	-
3	Castor brake	YW03000400000	YW03000400000
4	Condenser	YR30010400000	YR30010400000
5	Front pole	-	-
6	Side plate	-	-
7	Blower *	BM30042000050	BM30042000050
8	Side middle beam	-	-
9	Terminal board	YE61250000000	YE61250000000
10	Capacitor	YE25001500000	YE25001500000
11	Belt adjustor square block	BH10005000040	BH10005000040
12	Gear motor	YM50512600000	YM50512600000
13	Honeycomb bottom cover	BA40507000010	BA40507000010
14	Rear middle beam	-	-
15	Regen. heater*	BH70501000050	BH70501000050
16	Honeycomb	YW71444000100	YW71444000100
17	Two-head screw	BH10554500010	BH10554500010
18	Microswitch *	YE14152400000	YE14152400000
19	Fixed seat of Microswitch (left smaller one)	YR40000100300	YR40000100300
20	Fixed seat of Microswitch (right bigger one)	YR40000100200	YR40000100200
21	Honeycomb upper cover	BA40507000110	BA40507000110
22	Rear pole	-	-
23	Side beam	-	-
24	Water distributor	-	-
25	Rear middle beam	-	-
26	Rear fixing beam	-	-
27	Rear plate	-	-
28	Spring	YW01180300000	YW01180300000
29	Top cover	-	-
30	Flange	-	-
31	Process heater*	BH70902100150	BH70902100150
32	Outer fastener	-	-
33	Outer hopper cone	-	-

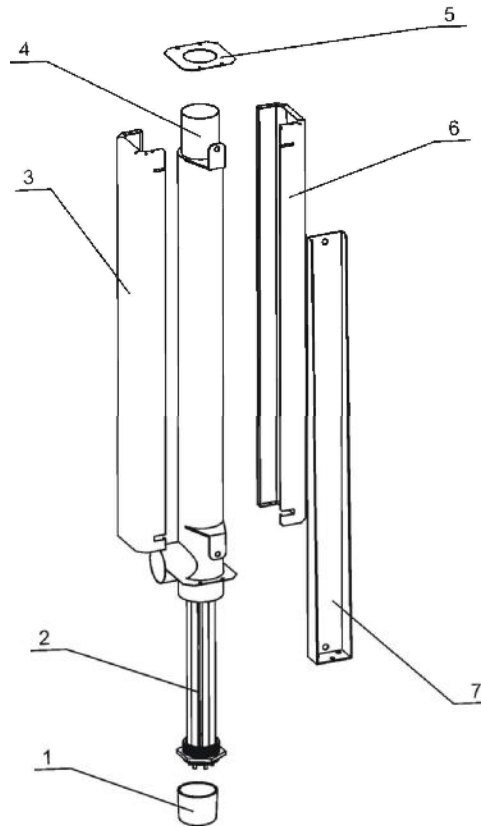
No.	Description	Part No.	
		900U/700H	1200U/700H
34	Material hopper	-	-
35	Hopper tank cover	-	-
36	Down-blowing pipe	-	-
37	Hopper top	-	-
38	Door frame	-	-
39	Sight glass window	-	-
40	Butterfly nut	YW09051600000	YW09051600000
41	Stand plate	-	-
42	Stand fixer	-	-
43	Castor fixer	-	-
44	Control box	BH34907000150	BH34120000150
45	Upper door plate	-	-
46	Door lock	YW00000600000	YW00000600000
47	Control panel	YR01003000200	YR01003000200
48	Main power supply switch*	YE40601500000	YE40601500000
49	Lower door plate	-	-
50	Butterfly nut	YW09051600000	YW09051600000
51	Filter cover	-	-
52	ADC18 filter**	YW03000200000	YW03000200000
53	Filter**	YR50241400000	YR50241400000
54	Hinge	YW06203400000	YW06203400000
55	Motor *	YM30072900000	YM30072900000
56	Anti-dust net	YR40120300000	YR40120300000
57	Front middle beam	-	-
58	Transmission belt**	YR00205800000	YR00205800000
59	Cooling fan**	YM60121200400	YM60121200400

* means possible broken parts.

** means easy broken part. and spare backup is suggested.

Please confirm the version of manual before placing the purchase order to guarantee that the item number of the spare part is in accordance with the real object.

2.6.4 Pipe Heaters

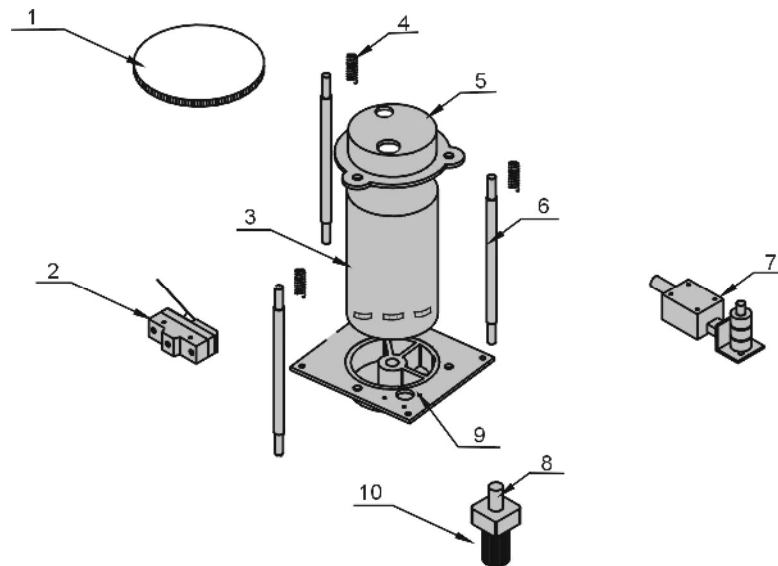


Parts name:

- | | | |
|------------------------|-----------------------|---------------------------|
| 1. Electric wood cover | 2. Pipe heater | 3. Heater wrapper sheet 1 |
| 4. Heating tank | 5. Heater cover plate | 6. Heater wrapper sheet 2 |
| 7. Heater fixed seat | | |

Picture 2-5: Pipe Heaters

2.6.5 Honeycomb Rotor



Names of Parts:

- | | | |
|---------------------------|-----------------------|-----------------------------|
| 1. Transmission belt | 2. Micro-switch | 3. Honeycomb rotor |
| 4. Spring | 5. Rotor top cover | 6. Double-headed screw bolt |
| 7. Belt tension regulator | 8. Transmission wheel | |
| 9. Rotor bottom cover | 10. Gearmotor | |

Picture 2-6: Honeycomb Rotor