



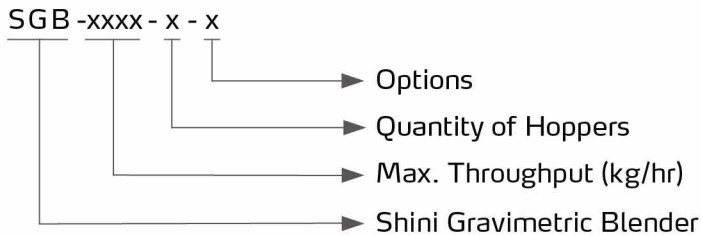
## Gravimetric Blender

SGB-200-4



Refer carefully to the manual before operation.

## ■ Coding Principle



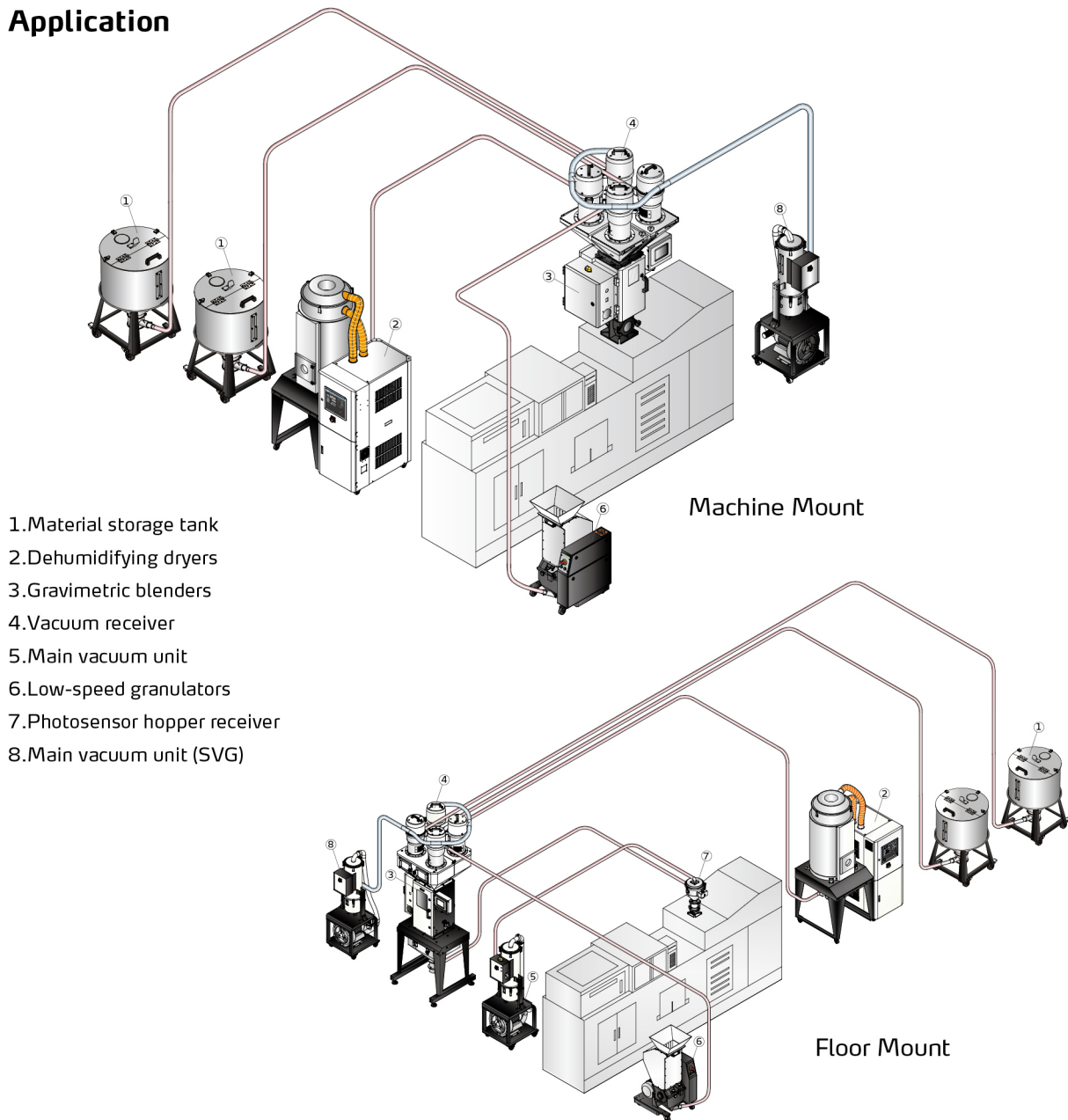
## ■ Features

- The gravimetric technology ensures the overall precision of  $\pm 0.1\%$  while using micro-dosing with free-flowing material.
- The load cell allow the unit to measure each batch and correct the next batch to realize constant dosing precision.
- Mixing tank provide even mix of materials and large easy maintenance door.
- Standard floor stand for SGB-1200 and above model. Which includes floor stand, material storage tank, and pneumatic discharge slide gate.
- Modbus TCP data communication via ethernet.
- Integrate material conveying control for the optional SVG vacuum unit and SHR-U-ST hopper receiver.

## ■ Options

- Optional low-level sensor for storage hopper. Recommend for those hoppers without hopper receiver. Add "LS" at the end of the model code.
- Optional floor stand for SGB-600 and below model. Which includes floor stand, material storage tank, pneumatic discharge slide gate, and suction box. Add "GS" at the end of the model code.
- Micro-scale pulse valve is optional for SGB-40 to meter materials with proportion of 0.2%-0.5%, and add "MF" at the end of the model code.
- Optional micro-dosing of 0.2~0.5% with screw feeder for SGB-200/600. Add "SF" at the end of the model code.
- Optional special metering valve for SGB-200 and above. It is for flake or irregular material while the diameter is less than 12\*12\*12mm/0.47\*0.47\*0.47inch. Add "FF" at the end of the model code.
- Function of recycled material auto-compensation is optional (recycling hopper should option with low level sensor). Aberration compensation can be automatically calculated according to the discharging amount of recycled materials, and add "AC" at the end of the model code.

## Application



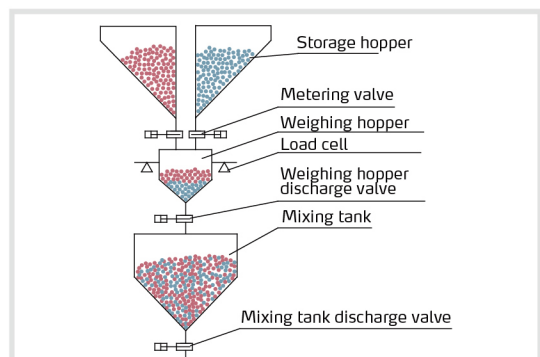
## Working Principle



3D animation  
(Tencent)



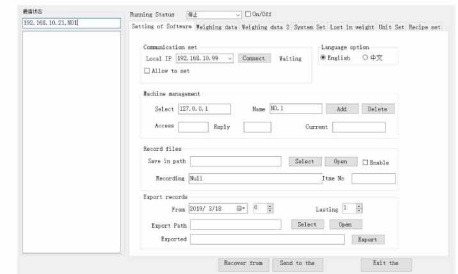
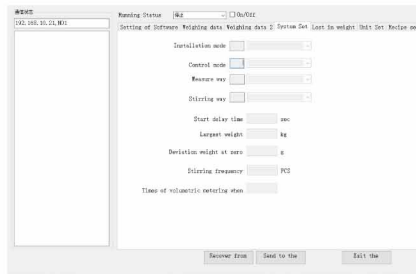
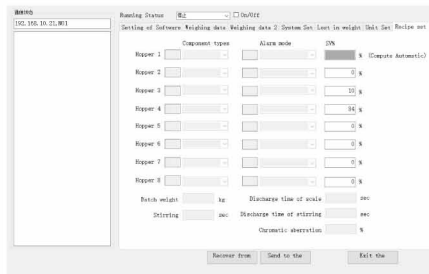
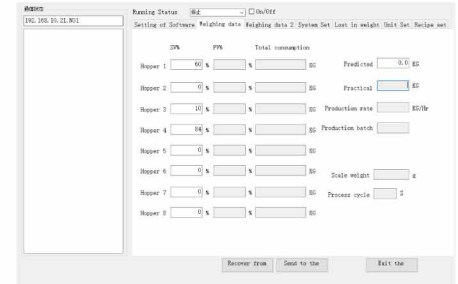
3D animation  
(Youtube)



## Accessories

### SRM remote monitoring software

- The software is compatible with Windows system.
- Ethernet Modbus-TCP communication ready.
- Enable real-time data in the form of the spreadsheet of equipment, such as batch precision etc.
- Functions of remote monitoring, debugging, receipt setting and data saving for several SGB equipments.



## SVG Vacuum Generator

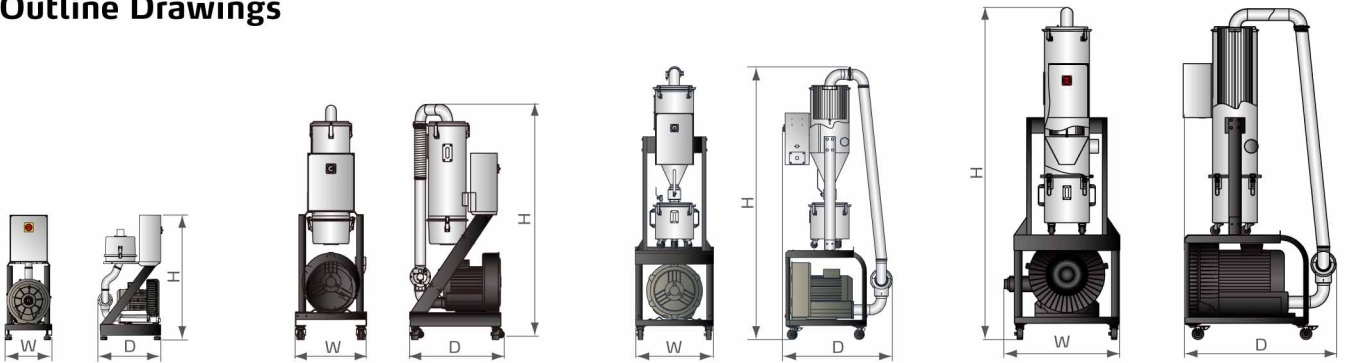
SVG can work with SGB and SHR-U-ST vacuum hopper directly to convey materials into the storage hopper of the SGB. The controller of SVG is integrated into the SGB, so it can control all the functions of SVG through the touch panel to make it more useful. The T-shape design of SHR-U-ST's suction pipe that worked with the SVG makes it easy to connect the vacuum hoppers, which only needs one suction pipe that can connect the SVG and the vacuum hoppers as to give well organized pipe layout.



Model	Vacuum unit	Power (kW)	Central hopper receiver	Hopper capacity		Material (inch)	Vacuum pipe (inch)	Dimension H×W×D(mm)
				L	gal			
SGB-40	-4 SVG-1HP	0.75	4×SHR-3U-ST	3	0.79	1.5	2	
SGB-200	-4 SVG-2HP	1.5	4×SHR-6U-ST	6	1.59	1.5	2	933×350×450
SGB-600	-6 SVG-3HP	1.85	6×SHR-12U-ST	12	3.17	1.5	2	
	-4 SVG-5HP	3.75	4×SHR-12U-ST	12	3.17	1.5	2	1300×426×593
SGB-1200	-6 SVG-5HP-D	3.0	6×SHR-12U-ST	12	3.17	1.5	2	1360×595×660
	-4 SVG-10HP	7.5	4×SHR-36U-ST	36	9.5	2	2.5	
SGB-2000	-8 SVG-10HP	7.5	8×SHR-36U-ST	36	9.5	2	2.5	2031×580×818
	-6 SVG-10HP	7.5	6×SHR-36U-ST	36	9.5	2	2.5	
	-4 SVG-10HP-D	7.5	4×SHR-36U-ST	36	9.5	2	2.5	2031×750×818
SGB-3000	-8 SVG-10HP-D	7.5	8×SHR-36U-ST	36	9.5	2	2.5	
	-6 SVG-20HP-D	13	6×SHR-48U-ST	48	12.7	2.5	3	2200×745×1000
	-4 SVG-20HP-D	13	4×SHR-48U-ST	48	12.7	2.5	3	

- Notes: 1) "T" means the material suction pipe is T joint.  
 2) Optional cooler is available for SVG-5HP and above models to feed the high temp. drying hopper with working temp. above 160°C, and add "C" at the end of the model code.  
 3) Power: 3Φ, 400VAC, 50Hz.

## Outline Drawings

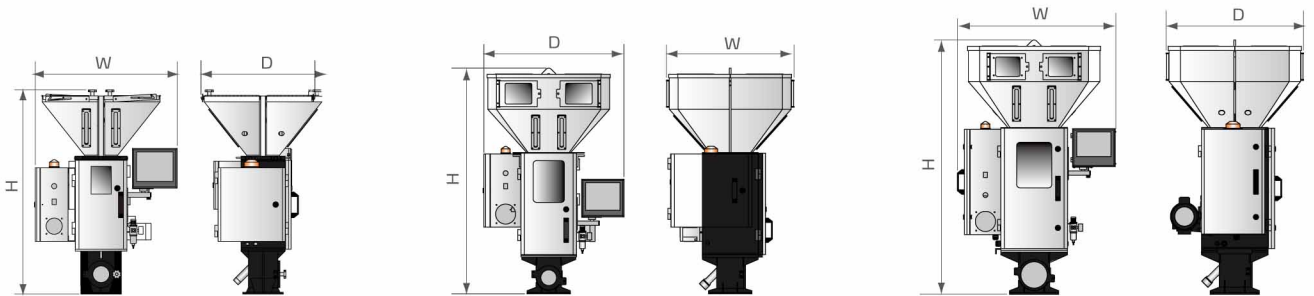


SVG-1HP/2HP/3HP

SVG-5HP(-D)

SVG-10HP(-D)

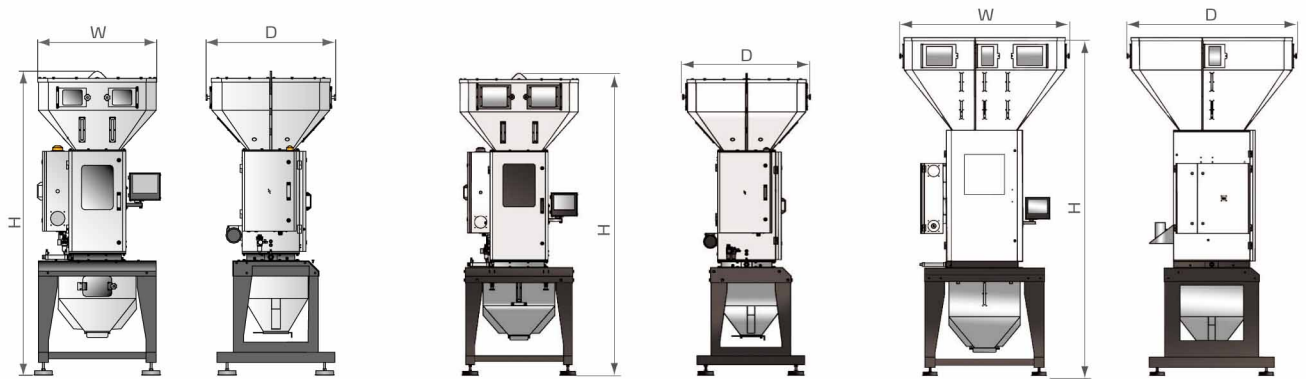
SVG-20HP-D



SGB-40

SGB-200

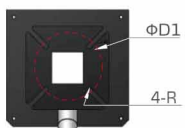
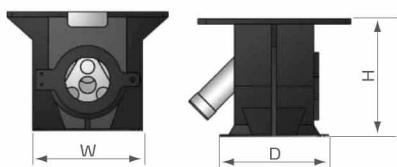
SGB-600



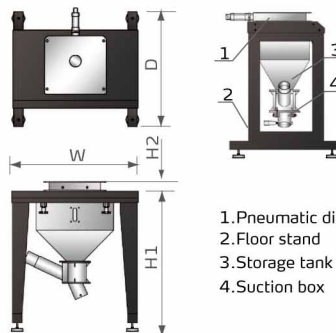
SGB-1200

SGB-2000

SGB-3000



Magnetic Base(For SGB-600 or below)



1. Pneumatic discharge plate
2. Floor stand
3. Storage tank
4. Suction box

Floor Stand(For SGB-600 or below)



# SGB Series

## Dimension

Model		SGB-40	SGB-200	SGB-600	SGB-1200	SGB-2000	SGB-3000
H×W×D	mm	1110×770×675	1300×810×735	1445×905×785	2398×940×1023	2800×1110×1180	3375×1695×1695
	inch	43.7×30.3×26.6	51.1×31.9×28.9	56.8×35.6×30.9	94.4×37×40.3	110.2×43.7×46.5	132.9×66.7×66.7
Magnetic Base (W×D×H×ΦD1×R)	mm	220×220×244×160×6.5	250×250×213×200×6	280×280×250×220×6	-	-	-
	inch	8.7×8.7×9.6×6.3×0.26	9.8×9.8×8.4×7.7×0.24	11×11×9.8×8.7×0.24	-	-	-
Floor Stand (H1×H2×W×D)	mm	713×50×654×600	880×50×724×800	885×60×814×800	900×60×930×930	1000×65×1060×1000	1075×70×1240×1240
	inch	28×2×25.7×23.6	34.6×2×28.5×31.5	34.8×2.4×32×31.5	35.4×2.4×36.6×36.6	39.4×2.6×41.7×39.4	42.3×2.8×48.8×48.8
Weight (Direct Mount)	kg	115	135	160	-	-	-
	lb	254	298	353	-	-	-
Weight (Inc. Floor Mount)	kg	135	170	220	400	500	850
	lb	298	375	485	882	1102	1874

## Specifications

Model		Components	Main Metering Valve	Secondary Metering Valve	Max. Batch		Mixing Motor Power (kW)	Max. Throughput	
					kg	lb		kg/hr	lb/hr
SGB-40-	4	4	3	1	1.0	2.2	0.25	40	88
SGB-200-	4	4	3	1	3.0	6.6	0.25	200	441
SGB-600-	6	6	4	2	8	17.5	0.55	400	882
	4	4	3	1				600	1323
SGB-1200-	6	6	4	2	12	26.5	0.55	900	1984
	4	4	3	1				1200	2646
SGB-2000-	8	8	5	3	18	39.5	0.55	1200	2646
	6	6	4	2				1600	3527
	4	4	3	1				2000	4409
SGB-3000-	8	8	5	3	40	88	0.75	2000	4409
	6	6	4	2				2500	5512
	4	4	3	1				3000	6614

Notes: 1) The above data is based on continuous running of even material whose bulk densities are 0.8kg/L(6.68lb/gal) and diameters are 3~4mm/0.12~0.16inch. The values varies along material features. Please contact Shini if the material is not sure.

- The main metering valve is suitable for proportion not lower than 5% and raw material of even particles or recycled materials of even particles whose diameters are within 6\*6\*6mm/0.24\*0.24\*0.24inch.
- The secondary metering valve is suitable for proportion of 0.5%~5% and master batch of even particles or additives whose diameters are within 4\*4\*4mm/0.16\*0.16\*0.16inch.
- Come with a set of secondary metering valves for use when replacing recipe.
- Three-phase supply is adopted in the blending motor.

## Shini Group

Addr: No. 23, Minhe St., Shulin Dist.,  
New Taipei, Taiwan

Tel: +886 2 2680 9119

Fax: +886 2 2680 9229

Email: [shini@shini.com](mailto:shini@shini.com)

### Factories:

- Taiwan
- Dongguan
- Pinghu
- Ningbo
- Chongqing
- Pune