

## Gravimetric Blender

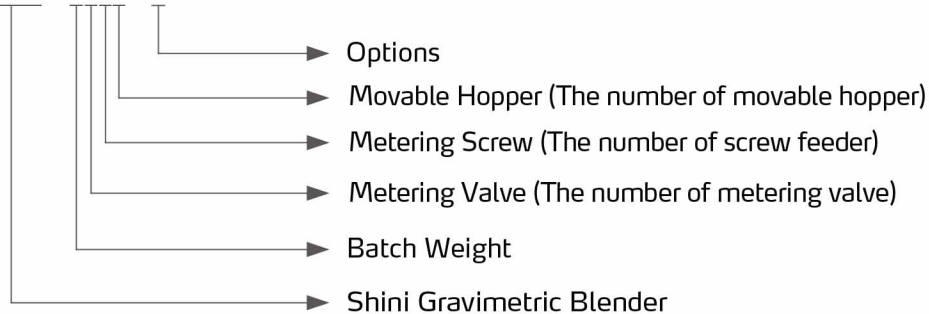
SGB-3400



Refer carefully to the manual before operation.

## ■ Coding Principle

SGB - xxxx - x



For example, model SGB-3410, indicating the batch size is 3kg., four sets of the standard vertical metering valves, one set of metering screws, zero movable hoppers, and the total is five components.

## ■ Features

- Auto calibration function is performed every time after each material weighing with dosing rate to ensures best proportioning accuracy.
- Up to 1000 recipes can be stored.
- An optional movable hopper with a quick air connector is available with the SGB-3 series, which is convenient for changing masterbatches, cleaning and maintenance.
- The quick detachable mixing tank and blade make it convenient for disassembling and cleaning.
- The Ethernet communication function can realize centralized connecting and monitoring with the main process machine.
- The built-in conveying function can operate with the vacuum generator SVG and the central hopper receiver SHR-U-ST.
- When unit reaches the preset batch, the unit can stop automatically.
- The power-off memory function, it can resume the work process as before after restart, which can save the metered material.
- Software upgrades can be achieved via USB auto program updates.
- The 7" color touch panel can be record the production data and alarm logs, and supports USB one-click export function that is convenient for production analyzing.
- Support sandwich metering mode to solve the problem of differences in the accumulation specific gravity of masterbatch materials.
- The unit supports the function of regrind material auto-compensation.
- Support multiple languages including Chinese, English, Spanish, French, Vietnamese, Japanese, and Polish.



Vertical Metering Valve



Metering Screw



Movable Hopper



Quick detachable Air Connection



Quick Detachable Structure



Home Page



Production Status

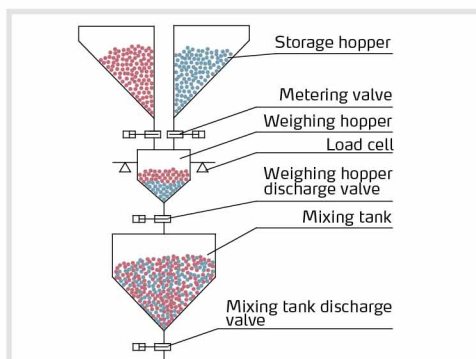


History Record Inquiry

## Options

- Material hopper low-level sensors can provide an early alarm when materials are low. Add "LS" at the end of the model code.
- A special metering valve, including a bridge-breaking device. It is for flake or irregular material while the diameter is less than 12\*12\*12mm/0.47\*0.47\*0.47 inch. Add "FF" at the end of the model code.
- The micro-pulse metering valve (suitable for SGB-1 series model) is optional, which is suitable for receipt ratio from 0.5% and 1%, and add "MF" at the end of the model code.
- The bridge breaking device is optional, and add "MB" at the end of the model code.
- For high-temperature materials processing above 80°C and below 120°C, add "H" at the end of the model code.
- SGB series with floor stand. Add "GS" at the end of the model code.

## Working Principle

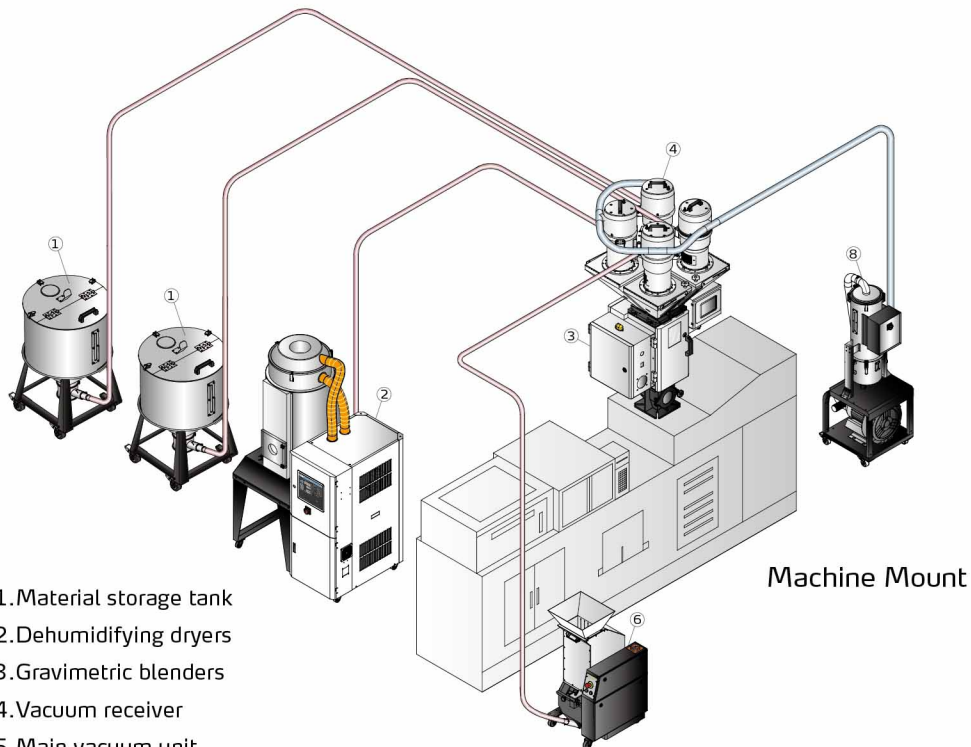


3D animation (Tencent)



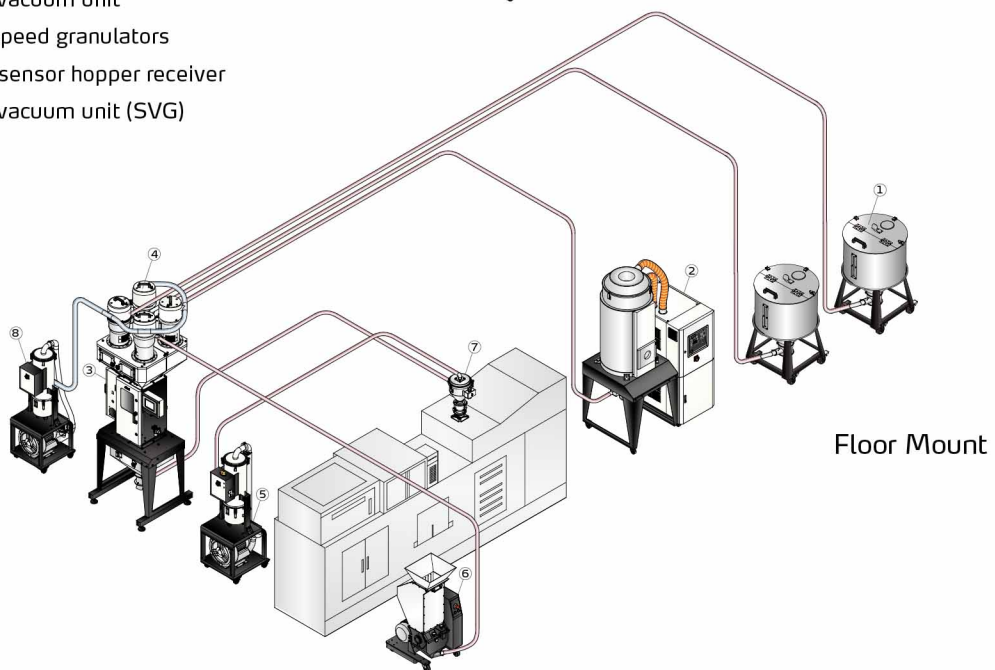
3D animation (Youtube)

## ■ Application



Machine Mount

1. Material storage tank
2. Dehumidifying dryers
3. Gravimetric blenders
4. Vacuum receiver
5. Main vacuum unit
6. Low-speed granulators
7. Photosensor hopper receiver
8. Main vacuum unit (SVG)



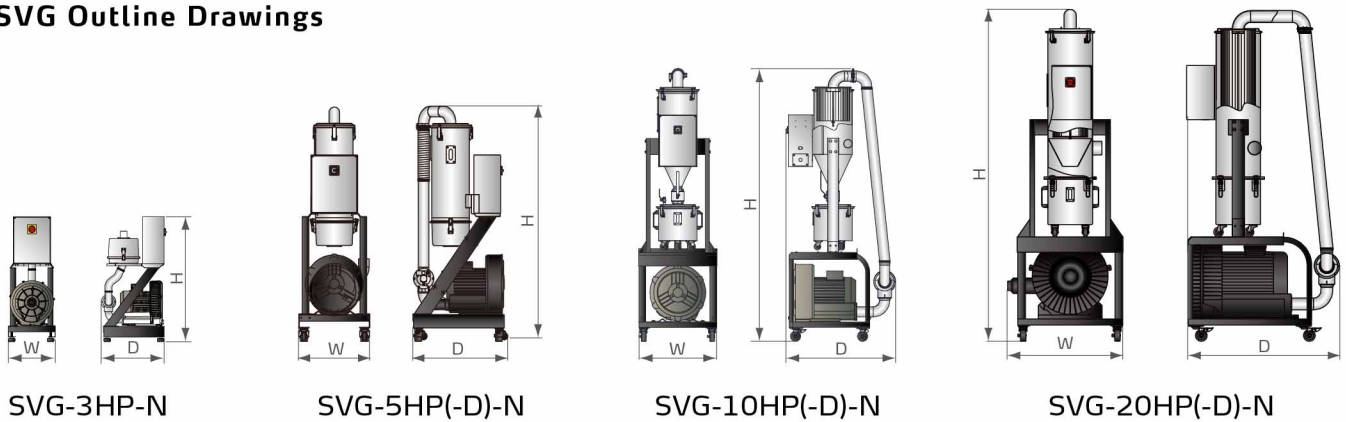
Floor Mount

## Accessories

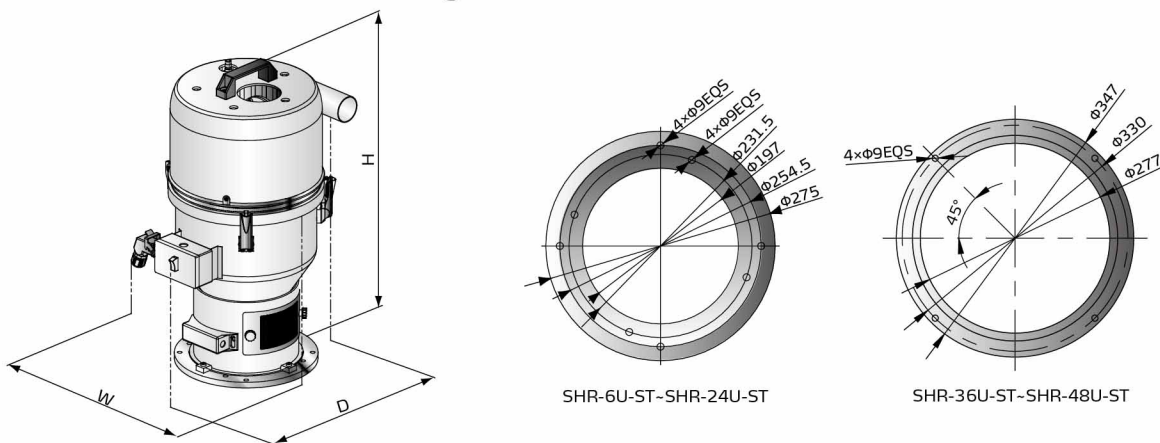
### SVG&SHR-U-ST

SVG can work with SGB and SHR-U-ST vacuum hopper directly to convey materials into the storage hopper of the SGB. The controller of SVG is integrated into the SGB, so it can control all the functions of SVG through the touch panel to make it more useful. The T-shape design of SHR-U-ST 's suction pipe that worked with the SVG makes it easy to connect the vacuum hoppers, which only needs one suction pipe that can connect the SVG and the vacuum hoppers as to give well organized pipe layout.

### SVG Outline Drawings



### SHR-U-ST Outline Drawings



## Specifications

Model	SVG	Power (kW)	SHR-U-ST	Capacity (L)	Material pipe (inch)	Vacuum pipe (inch)	SVG(H×W×D)	SHR(H×W×D)	SVG Weight(kg)	SHR Weight(kg)
SGB-1series	3HP	1.85	SHR-6U-ST	6	1.5	2	933×350×450	560×290×400	60	8
SGB-3 series	5HP	3.75	SHR-12U-ST	12	1.5	2	1359×426×593	825×305×455	74	11
	5HP-D	3.75	SHR-12U-ST	12	1.5	2	1359×426×593	825×305×455	76	11
SGB-10 series	10HP	7.5	SHR-36U-ST	36	2	2.5	2031×580×818	1094×349×510	185	16
	10HP-D	7.5	SHR-36U-ST	36	2	2.5	2031×580×818	1094×349×510	192	16
SGB-20 series	20HP-D	11	SHR-48U-ST	48	2.5	3	2200×745×1000	1242×349×1000	246	18

Note: 1) SVG Power: 3 $\Phi$ , 400VAC, 50Hz

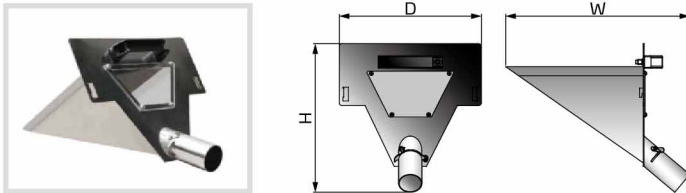
2) SHR Power: AC24V

# SGB Series

## Discharging hopper SGB-DH

The discharging hopper can be directly mounted on the SGB for easy cleaning during material replacement.

### Outline Drawings

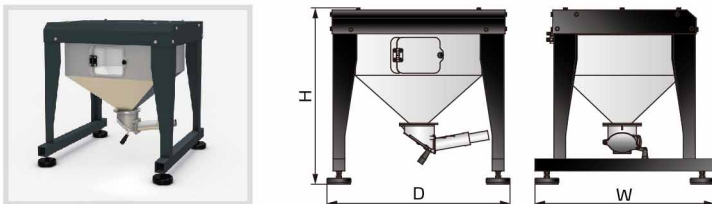


### Specifications

Model	SGB-DH	W×D×H
SGB-3 series	SGB-DH-3	310×405×325
SGB-10 series	SGB-DH-10	410×495×415
SGB-20 series	SGB-DH-20	570×515×445

## Floor Stand Assembly GS

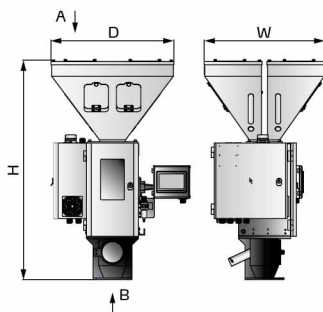
### Outline Drawings



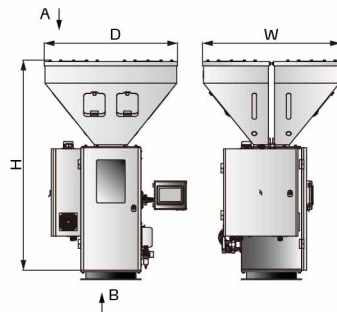
### Specifications

Model	GS	W×D×H
SGB-1 series	GS-1	630×700×755
SGB-3 series	GS-3	750×766×738
SGB-10 series	GS-10	820×940×920
SGB-20 series	GS-20	1160×1160×1060

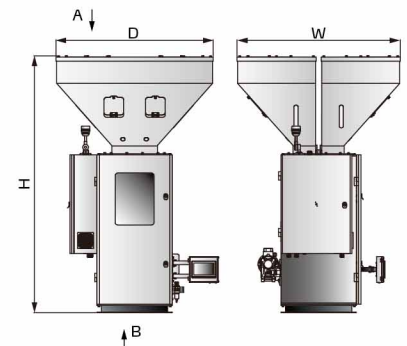
## Outline Drawings



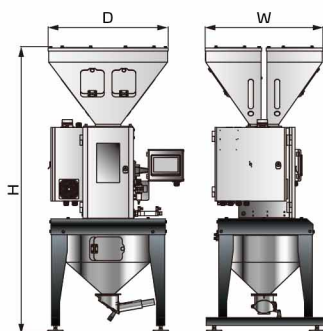
SGB-1/3 series (standard mode)



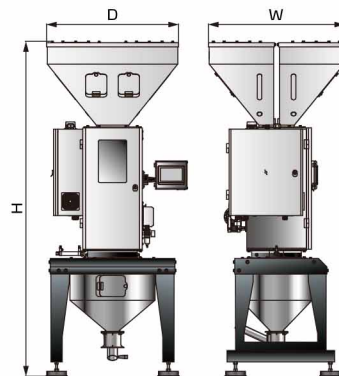
SGB-10 series (standard mode)



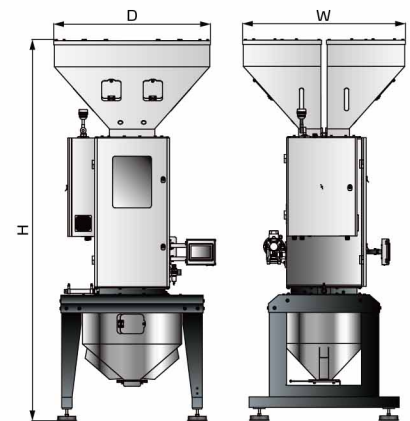
SGB-20 series (standard mode)



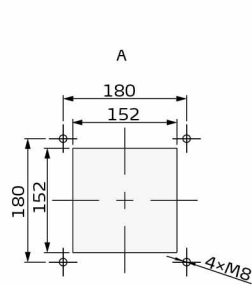
SGB-3 series (floor stand mount)



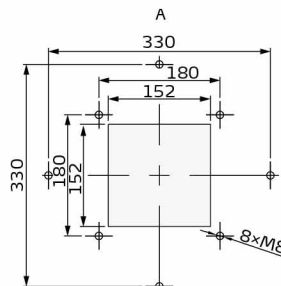
SGB-10 series (floor stand mount)



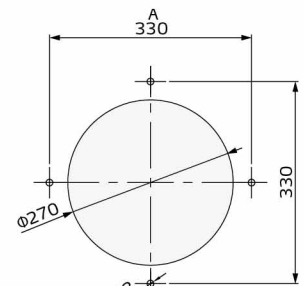
SGB-20 series (floor stand mount)



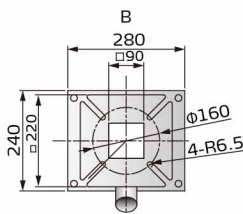
1/3 Series  
Hopper mount size



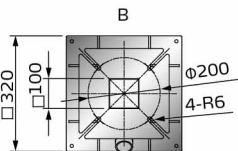
10 Series  
Hopper mount size



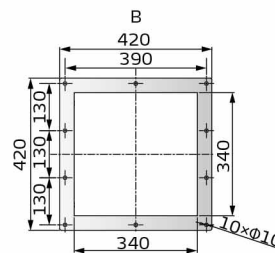
20 Series  
Hopper mount size



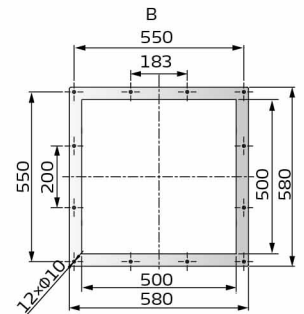
1 Series  
Magnetic Base Size



3 Series  
Magnetic Base Size



10 Series  
Magnetic Base Size



20 Series  
Magnetic Base Size

## Specifications

Series	Model	Batch weight (kg)	Components	Metering Valve	Metering Screw	Movable Hopper	Max. Batch (kg/hr)	Mixing Motor Power(kW)	Dimension(W×D×H)		Weight (kg)
									Standard type	Foot frame type	
1 Series	SGB-1200	1	2	2	-	-	80	0.25	620×540×1100	620×540×1620	105/130
	SGB-1400		4	4	-	-			750×600×1100	750×600×1620	115/145
3 Series	SGB-3200	3	2	2	0	0	400	0.25	650×800×1350	650×800×1820	115/155
	SGB-3210		3	2	1	0			760×800×1350	760×800×1820	125/165
	SGB-3220		4	2	2	0			760×900×1350	760×900×1820	135/175
	SGB-3222		6	2	2	2			760×850×1350	760×850×1820	130/170
	SGB-3400		4	4	0	0			745×860×1350	745×860×1820	125/165
	SGB-3410		5	4	1	0			760×860×1350	760×860×1820	135/175
	SGB-3420		6	4	2	0			760×900×1350	760×900×1820	145/175
10 Series	SGB-10400	10	4	4	0	-	1200	0.55	1005×980×1535	1005×980×2365	350/450
	SGB-10410		5	4	1	-			1295×980×1535	1295×980×2365	370/460
	SGB-10420		6	4	2	-			1295×1150×1535	1295×1150×2365	380/470
	SGB-10600		6	6	0	-			1300×1100×1535	1300×1100×2365	390/480
	SGB-10610		7	6	1	-			1480×1100×1535	1480×1100×2365	400/490
	SGB-10620		8	6	2	-			1480×1350×1535	1480×1350×2365	410/500
20 Series	SGB-20400	20	4	4	0	-	3000	0.75	1260×1210×1980	1260×1210×2950	670/800
	SGB-20410		5	4	1	-			1380×1210×1980	1380×1210×2950	680/810
	SGB-20600		6	6	0	-			1480×1400×1980	1480×1400×2950	700/930
	SGB-20610		7	6	1	-			1620×1400×1980	1620×1400×2950	710/940
	SGB-20800		8	8	0	-			1700×1630×1980	1700×1630×2950	750/980

Note: 1) Above mentioned are common models.

2) The above data are obtained based on even granules with bulk density of 0.8kg/l and diameter of 3-4mm in a test criteria of continuous process. The value may varies with the material characteristics. If doubtful materials are used, please make further discussion.

3) Typically, vertical metering valves are suitable for material ratios above 1%, and metering screws are for material ratios below 1%.

4) Voltage: 3Φ, 400/460/575VAC, 50/60Hz.

5) The output may vary by material type, shape, fluidity, density, and production process. For other special cases, don't hesitate to contact us.

## Shini Group

Addr: No. 23, Minhe St., Shulin Dist.,  
New Taipei, Taiwan

Tel: +886 2 2680 9119

Fax: +886 2 2680 9229

Email: [shini@shini.com](mailto:shini@shini.com)

### Factories:

- Taiwan
- Dongguan
- Pinghu
- Ningbo
- Chongqing
- Pune

2025-02-15-04 Copyrights Reserved.

[www.shini.com](http://www.shini.com)