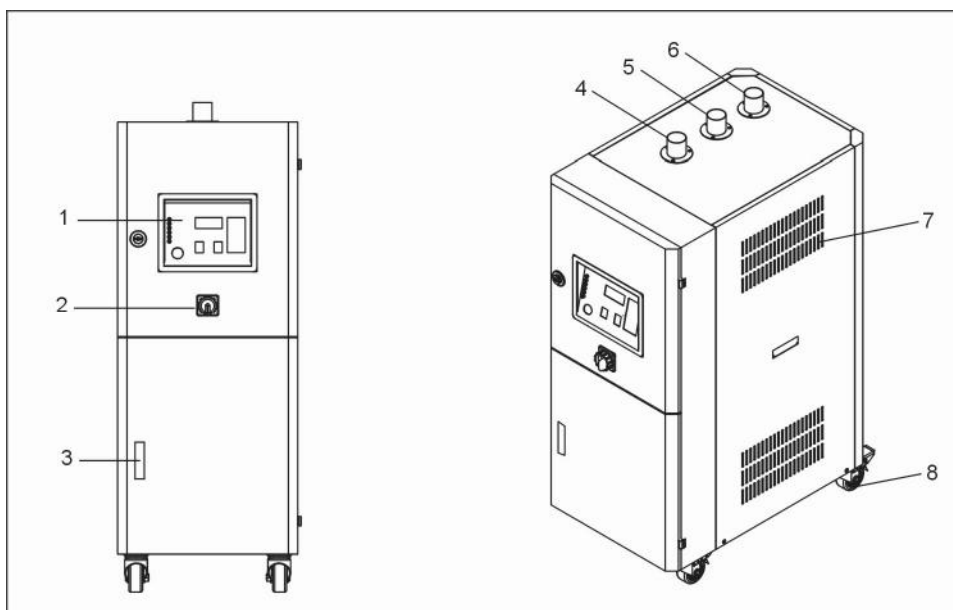


2.6 Drawing and Parts List

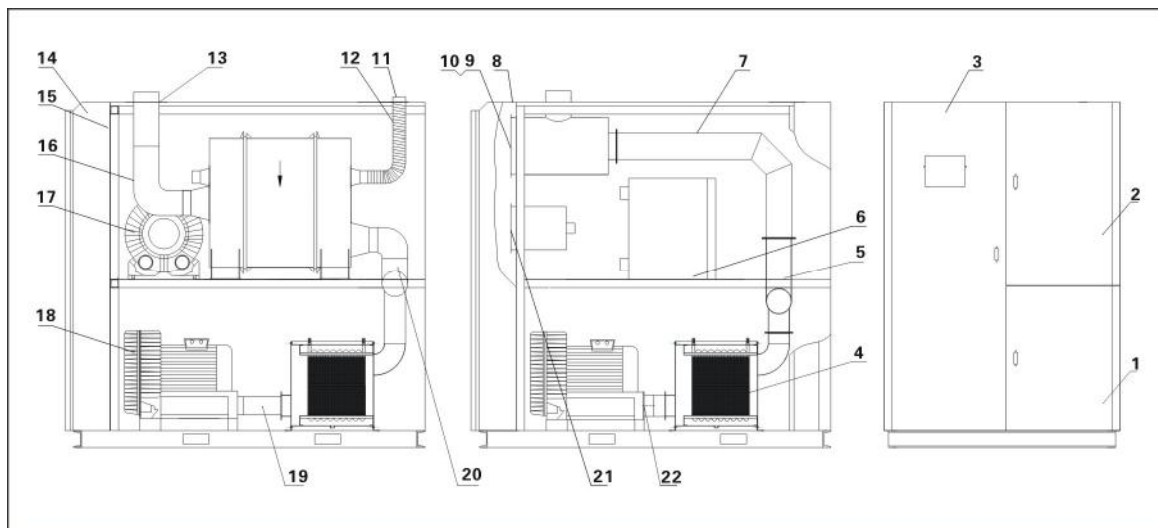
2.6.1 Structural Drawing



Parts name:

- | | | | |
|------------------|-------------------|-------------------|--------------|
| 1. Control panel | 2. Main switch | 3. Lock | 4. Air inlet |
| 5. Air outlet | 6. Wet air outlet | 7. Cooling window | 8. Castor |

Picture 2-3: Structural Drawing (SD-30H~700H)

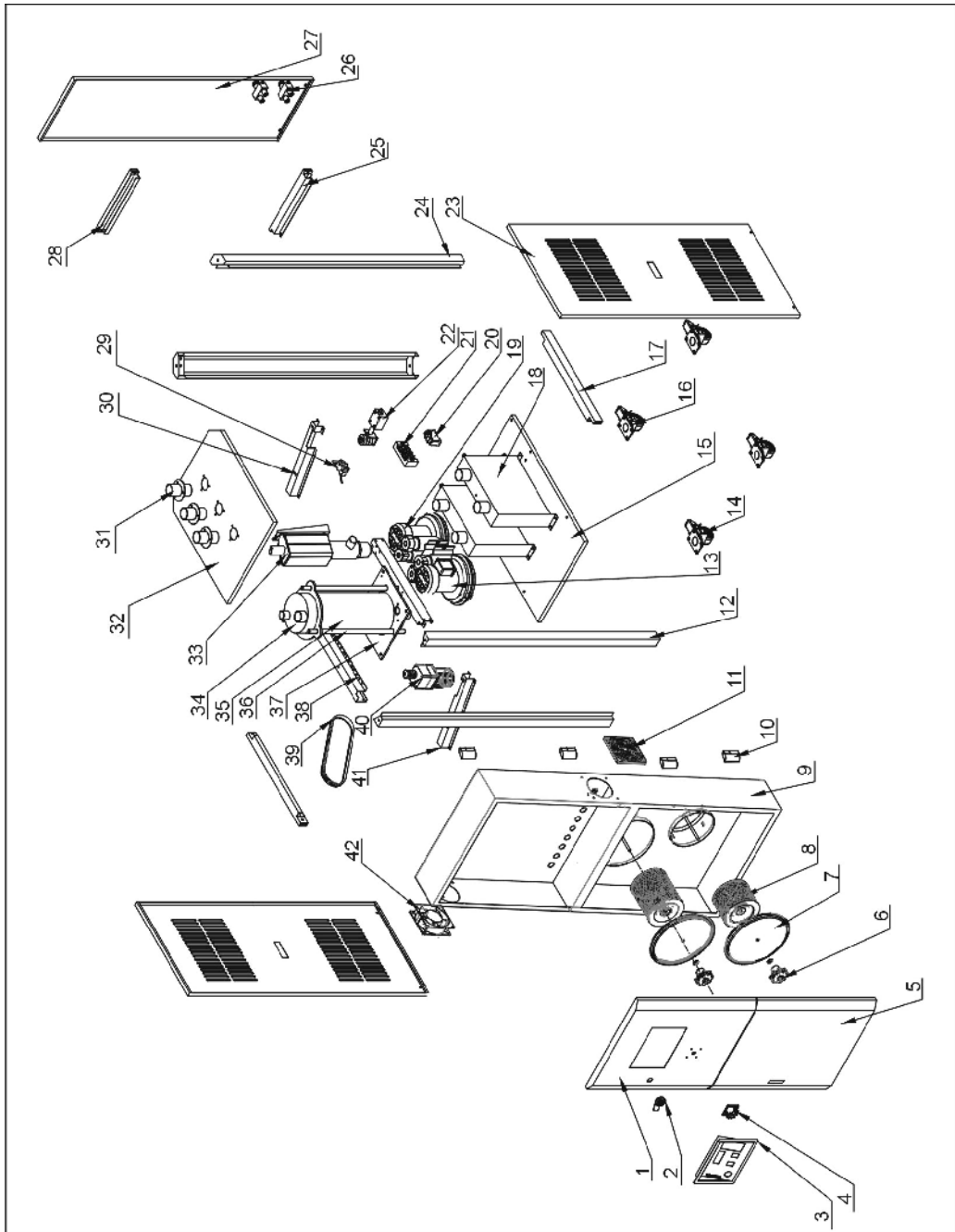


Parts name:

- | | | |
|---|------------------------------------|----------------------------------|
| 1. Right lower door | 2. Right upper door | 3. Right front door |
| 4. Cooler | 5. Air inlet pipe | 6. Heating case components |
| 7. Return air pipe | 8. Filter component cabinet | 9. Circulation filter barrel lid |
| 10. Circulation filter barrel flange | 11. Cooling flange | 12. Heat-resistant air pipe |
| 13. Outlet flange | 14. Electrical control box | |
| 15. Electrical component installation plate | | 16. Heat-resistant air pipe |
| 17. Regenerative blower | 18. Drying blower | 19. Cooler connection flange 2 |
| 20. Air outlet pipe | 21. Regenerative filter tank cover | 22. Cooler connection flange 1 |

Picture 2-4: Structural Drawing (SD-1000H~4000H)

2.6.2 Assembly Drawing (SD-30H~700H)



Remarks: Please refer to material list 2.7.3 for specific explanation of the Arabic numbers in parts drawing.

Picture 2-5: Assembly Drawing (SD-30H~700H)

2.6.3 Parts List (SD-30H~700H)

Table 2-1: Parts List (SD-30H~80H)

No.	Description	Part No.		
		SD-30H	SD-50H	SD-80H
1	Upper door	-	-	-
2	Short bolt door lock	YW00000600000	YW00000600000	YW00000600000
3	Control panel	YR40000400500	YR40000400500	YR40000400500
4	Main switch*	YE10200300000	YE10200300000	YE10200300000
5	Lower door	-	-	-
6	Cross-head nut	YW09051600000	YW09051600000	YW09051600000
7	Filtering bucket lid	YL21000300000	YL21000300000	YL21000300000
8	Filter**	YR50128300000	YR50128300000	YW09000100000
9	Control box	-	-	-
10	Hinge	YW06203100200	YW06203100200	YW06203100200
11	Dust-proof net**	YR40120300000	YR40120300000	YR40120300000
12	Front pole	-	-	-
13	Regenerated fan*	BM30012500050	BM30012500050	BM30012500050
14	Movable truckle	YW03000300200	YW03000300200	YW03000300200
15	Bottom plate	-	-	-
16	Brake truckle	YW03000300000	YW03000300000	YW03000300000
17	Side fixed beam	-	-	-
18	Cooler	BW88030500020	BW88030500020	BW88081200020
19	Dry fan*	-	-	-
20	Capacitance	YE25001500000	YE25001500000	YE25001500000
21	Terminals strip	YE61250000000	YE61250000000	YE61250000000
22	Belt adjustor	BH10005000040	BH10005000040	BH10005000040
23	Side board	-	-	-
24	Rear pole	-	-	-
25	Middle beam	-	-	-
26	Water distributor	-	-	-
27	Rear board	-	-	-
28	Rear beam	-	-	-
29	Minitrim switch*	YE14152400000	YE14152400000	YE14152400000
30	Rear middle beam	-	-	-
31	2 inch flange	-	-	-
32	Cover board	-	-	-
33	Regenerated heater*	BH70300300050	BH70500300050	BH70800300050
34	Honey comb upper lid	BA40003000110	BA40508000110	BA40508000110
35	Honeycomb-rotor	YW71152000100	YW71182000100	YW71183000100
36	Double end studs	BH10533000040	BH10533000040	BH10543000040

No.	Description	Part No.		
		SD-30H	SD-50H	SD-80H
37	Honey comb lower lid	BA40003000010	BA40508000030	BA40508000030
38	Side middle beam	-	-	-
39	Synchronized belt**	YR00202200000	YR00202500000	YR00202500000
40	Motor	YM50102600000	YM50102600000	YM50102600000
41	Front middle beam	-	-	-
42	Exhausting fan**	YM60121200400	YM60121200400	YM60121200400

* means possible broken parts.

** means easy broken part. and spare backup is suggested.

Please confirm the version of manual before placing the purchase order to guarantee that the item number of the spare part is in accordance with the real object.

Table 2-2: Parts List (SD-120H~200H)

No.	Description	Part No.		
		SD-120H	SD-150H	SD-200H
1	Upper door	-	-	-
2	Short bolt door lock	YW00000600000	YW00000600000	YW00000600000
3	Control panel	YR40000400500	YR40000400500	YR40000400500
4	Main switch*	YE10200300000	YE10200300000	YE10210300000
5	Lower door	-	-	-
6	Cross-head nut	YW09051600000	YW09051600000	YW09051600000
7	Filtering bucket lid	YL21000300000	YL21000300000	YL21000300000
8	Filter**	YR50708000100	YR50203000000	YR50203000100
9	Control box	-	-	-
10	Hinge	YW06203100200	YW06203100200	YW06203100200
11	Dust-proof net**	YR40120300000	YR40120300000	YR40120300000
12	Front pole	-	-	-
13	Regenerated fan*	BM30012500050	BM30012500050	BM30012500050
14	Movable truckle	YW03000300200	YW03000300200	YW03000300200
15	Bottom plate	-	-	-
16	Brake truckle	YW03000300000	YW03000300000	YW03000300000
17	Side fixed beam	-	-	-
18	Cooler	BW88081200020	BW88152000020	BW88152000020
19	Dry fan*	BM30031000050	BM30042000050	BM30042000050
20	Capacitance	YE25001500000	YE25001500000	YE25001500000
21	Terminals strip	YE61250000000	YE61250000000	YE61250000000
22	Belt adjustor	BH10005000040	BH10005000040	BH10005000040
23	Side board	-	-	-
24	Rear pole	-	-	-
25	Middle beam	-	-	-
26	Water distributor	-	-	-
27	Rear board	-	-	-
28	Rear beam	-	-	-
29	Minitrim switch*	YE14152400000	YE14152400000	YE14152400000
30	Rear middle beam	-	-	-
31	2 inch flange	-	-	-
32	Cover board	-	-	-
33	Regenerated heater*	BH70800300050	BH70150400050	BH70200400050
34	Honey comb upper lid	BA40508000110	BA40152000110	BA40152000110
35	Honeycomb-rotor	YW71184000100	YW71253000100	YW71254000100
36	Double end studs	BH10543000040	BH10543000040	BH10545000040
37	Honey comb lower lid	BA40508000010	BA40152000010	BA40152000010

No.	Description	Part No.		
		SD-120H	SD-150H	SD-200H
38	Side middle beam	-	-	-
39	Synchronized belt**	YR00202500000	YR00203400000	YR00203400000
40	Motor	YM50102600000	YM50102600000	YM50102600000
41	Front middle beam	-	-	-
42	Exhausting fan**	YM60121200400	YM60121200400	YM60121200400

* means possible broken parts.

** means easy broken part. and spare backup is suggested.

Please confirm the version of manual before placing the purchase order to guarantee that the item number of the spare part is in accordance with the real object.

Table 2-3: Parts List (SD-300H~700H)

No.	Description	Part No.		
		SD-300H	SD-400H	SD-700H
1	Upper door	-	-	-
2	Short bolt door lock	YW00000600000	YW00000600000	YW00000600000
3	Control panel	YR40000400500	YR40000400500	YR40000400500
4	Main switch*	YE10210300000	YE10220300000	YE40635000000
5	Lower door	-	-	-
6	Cross-head nut	YW09051600000	YW09051600000	YW09051600000
7	Filtering bucket lid	YL21000300000	YL21000300000	YL21000300000
8	Filter**	YR50241400000	YR50241400000	YR50241400000
9	Control box	-	-	-
10	Hinge	YW06203100200	YW06203100200	YW06203100200
11	Dust-proof net**	YR40120300000	YR40120300000	YR40120300000
12	Front pole	-	-	-
13	Regenerated fan*	BM30031000150	BM30031000150	BM30042000050
14	Movable truckle	YW03000400200	YW03000400200	YW03000400200
15	Bottom plate	-	-	-
16	Brake truckle	YW03000400000	YW03000400000	YW03000400000
17	Side fixed beam	-	-	-
18	Cooler	BW88304000020	BW88304000020	YR30010400000
19	Dry fan*	YM30052900000	YM30062900000	YM30072900000
20	Capacitance	YE25001500000	YE25001500000	YE25001500000
21	Terminals strip	YE61250000000	YE61250000000	YE61250000000
22	Belt adjustor	BH10005000040	BH10005000040	BH10005000040
23	Side board	-	-	-
24	Rear pole	-	-	-
25	Middle beam	-	-	-
26	Water distributor	-	-	-
27	Rear board	-	-	-
28	Rear beam	-	-	-
29	Minitrim switch*	YE14152400000	YE14152400000	YE14152400000
30	Rear middle beam	-	-	-
31	2 inch flange	-	-	-
32	Cover board	-	-	-
33	Regenerated heater*	BH70307200250	BH70407200050	BH70501000050
34	Honey comb upper lid	BA40304000110	BA40304000110	-
35	Honeycomb-rotor	YW71353000100	YW71354000100	YW71444000100
36	Double end studs	BH10543000040	BH10554500040	BH10554500040
37	Honey comb lower lid	BA40304000010	BA40304000010	-

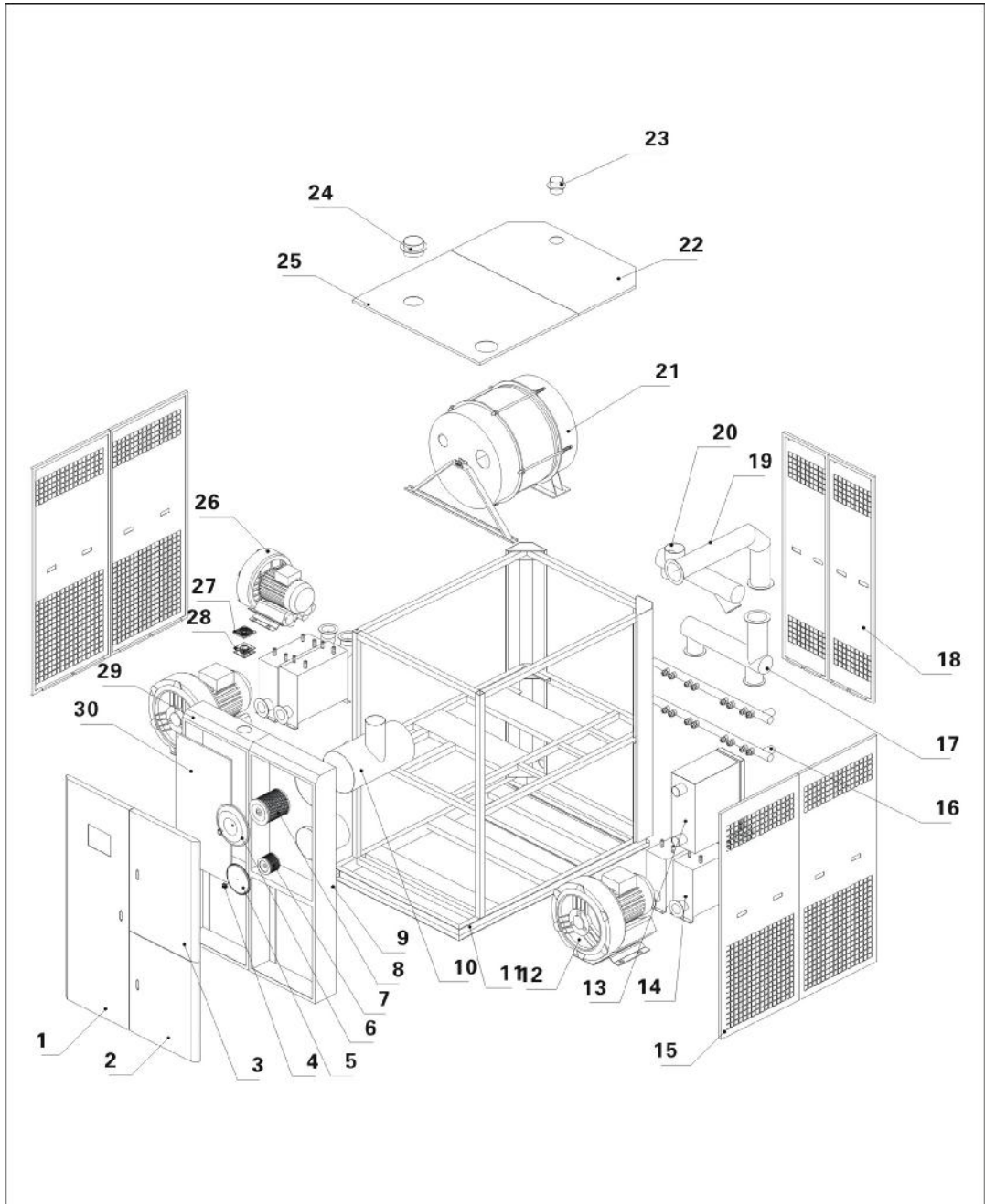
No.	Description	Part No.		
		SD-300H	SD-400H	SD-700H
38	Side middle beam	-	-	-
39	Synchronized belt**	YR00204700000	YR00204700000	-
40	Motor	YM50512600000	YM50512600000	-
41	Front middle beam	-	-	-
42	Exhausting fan**	YM60121200400	YM60121200400	YM60121200400

* means possible broken parts.

** means easy broken part. and spare backup is suggested.

Please confirm the version of manual before placing the purchase order to guarantee that the item number of the spare part is in accordance with the real object.

2.6.4 Assembly Drawing (SD-1500H)



Remarks: Please refer to material list 2.7.5 for specific explanation of the Arabic numbers in parts drawing.

Picture 2-6: Assembly Drawing (SD-1500H)

2.6.5 Parts List (SD-1500H)

Table 2-4: Parts List (SD-1500H)

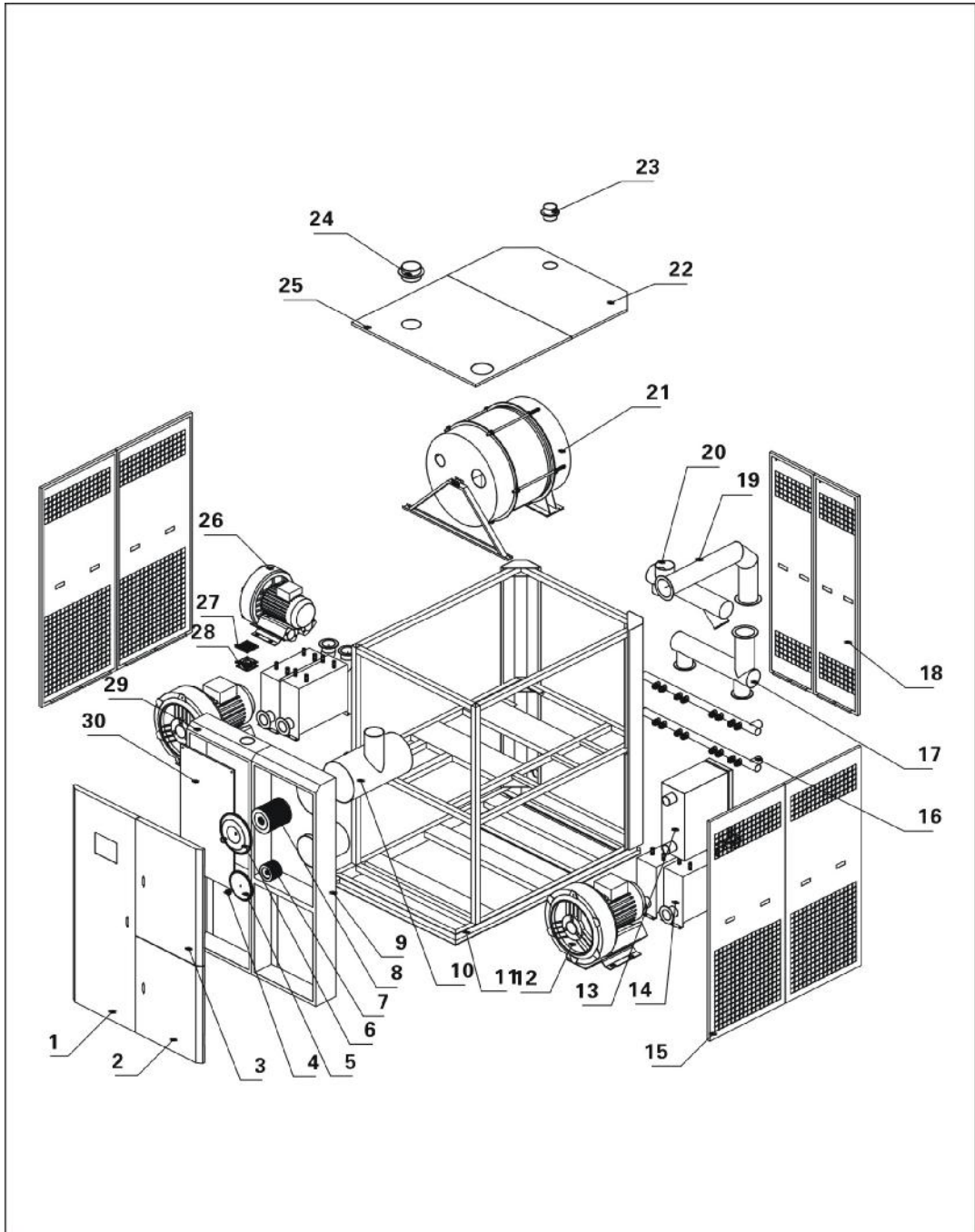
No.	Description	Part No.	No.	Description	Part No.
1	Front plate left	-	16	Water flow regulator	-
2	Right lower door	-	17	Return air pipe	-
3	Right upper door	-	18	Rear plate	-
4	Star nut	YW09051600000	19	Return air pipe	-
5	Vacuum hopper cover 12l	YL21001200100	20	Air outlet pipe	-
6	Circulation filter barrel lid	-	21	Honeycomb components	YW71773000000
7	Filter Adc3	YR50241400000	22	Rear cover plate	-
8	Filter	YR50277500000	23	Air inlet flange	-
9	Filter component cabinet	-	24	Air outlet flange	-
10	Circulation filter barrel	-	25	Front cover board	-
11	Outer rest	-	26	High-pressure blower HB-729	YM30072900000
12	High-pressure blower HB-919	BH70407200050	27	Dust screen	YR40120300000
13	Heating case components	-	28	Exhaust fan	YM60121200400
14	Cooler	-	29	Electrical control box	-
15	Side plate	-	30	Board of electric components cabinet	-

* means possible broken parts.

** means easy broken part. and spare backup is suggested.

Please confirm the version of manual before placing the purchase order to guarantee that the item number of the spare part is in accordance with the real object.

2.6.6 Assembly Drawing (SD-3000H)



Remarks: Please refer to material list 2.7.7 for specific explanation of the Arabic numbers in parts drawing.

Picture 2-7: Assembly Drawing (SD-3000H)

2.6.7 Parts List (SD-3000H)

Table 2-5: Parts List (SD-3000H)

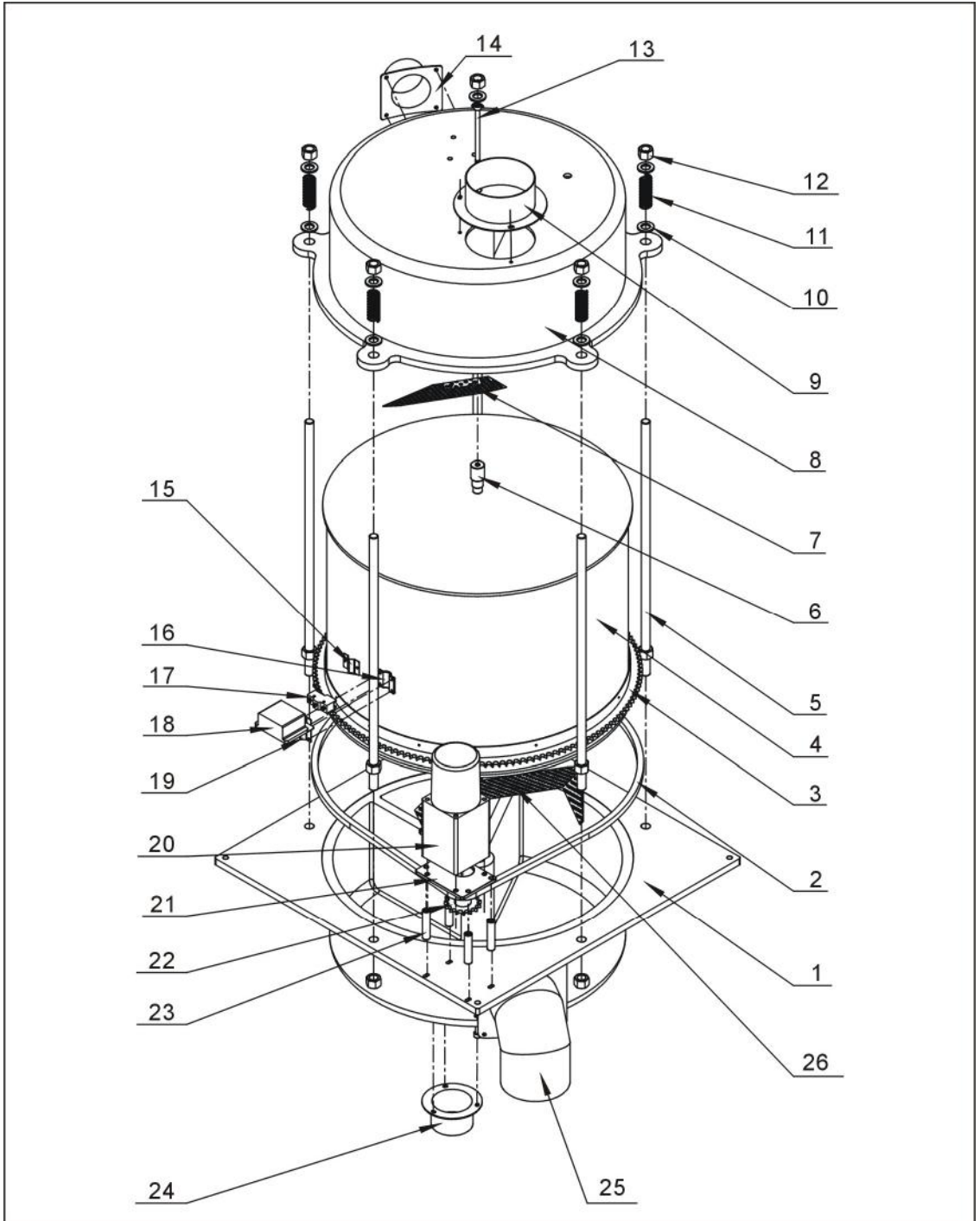
No.	Description	Part No.	No.	Description	Part No.
1	Front plate left	-	16	Water flow regulator	-
2	Right lower door	-	17	Return air pipe	-
3	Right upper door	-	18	Rear plate	-
4	Star nut	YW09051600000	19	Return air pipe	-
5	Vacuum hopper cover 12l	YL21001200100	20	Air outlet pipe	-
6	Circulation filter barrel lid	-	21	Honeycomb components	YW71965400000
7	Filter Adc3	YR50241400000	22		-
8	Filter	YR50277500000	23	Air inlet flange	-
9	-	-	24	Air outlet flange	-
10	Circulation filter barrel	-	25		-
11	Outer rest	-	26	High-pressure blower HB-919	YM30091900000
12	High-pressure blower HB-929	YM30092900000	27	Dust screen	YR40120300000
13	Heating case components	-	28	Exhaust fan	YM60121200400
14	Cooler	-	29	Electrical control box	-
15	Side plate	-	30	Board of electric components cabinet	-

* means possible broken parts.

** means easy broken part. and spare backup is suggested.

Please confirm the version of manual before placing the purchase order to guarantee that the item number of the spare part is in accordance with the real object.

2.6.10 Honeycomb



Picture 2-10: Standard Configured Honeycomb Parts Drawing
(SD-700H/1000H/2000H)

2.6.11 Parts List of Standard Configured Honeycomb (SD-700H/1000H/2000H)

Table 2-6: Parts List (SD-700H)

No.	Description	Part No.	No.	Description	Part No.
1	Lower cover	-	14	2.5" honeycomb flange	-
2	Roller chain	YW09812400000	15	Honeycomb stator	-
3	Driven sprocket	-	16	Microswitch stator	-
4	Honeycomb	YW71440400000	17	Micrswitch	YE14152400000
5	Double-end screw	BH10554500040	18	Micrswitch box	-
6	Honeycomb shaft	-	19	Micrswitch stator 2	-
7	Regeneration scattered wind plate	-	20	Gear motor	YM50313100000
8	Upper cover	-	21	Mounting plate of gear motor	-
9	4" honeycomb flange	-	22	Drive sprocket	-
10	Flat washer 16	-	23	Locating tube	-
11	Spring	YW01201800000	24	2.5" honeycomb flange	-
12	Hex nut M16	-	25	4" honeycomb flange	-
13	Hexgon socket head cap screw M8	-	26	Drying scattered wind plate	-

* means possible broken parts.

** means easy broken part. and spare backup is suggested.

Please confirm the version of manual before placing the purchase order to guarantee that the item number of the spare part is in accordance with the real object.

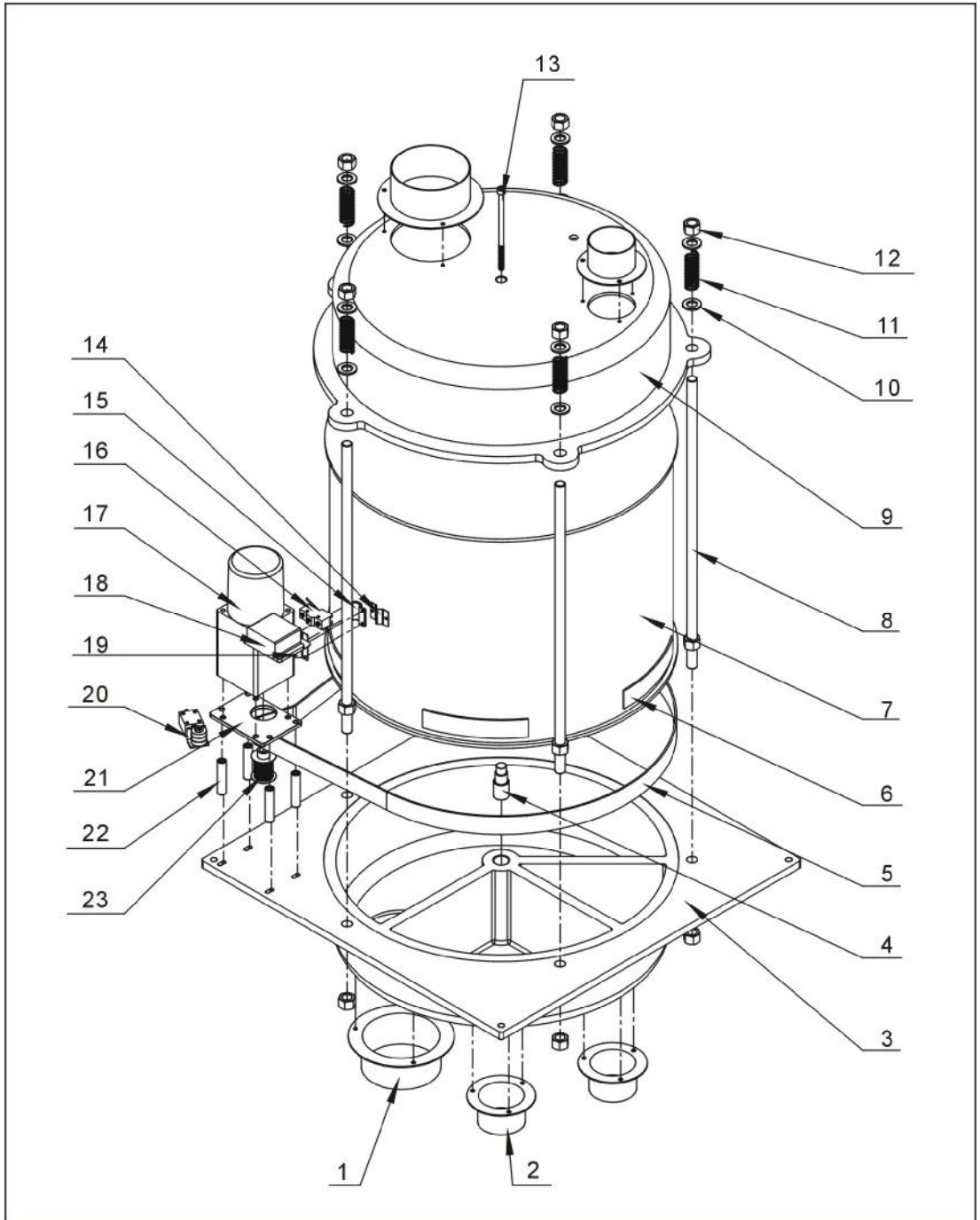
Table 2-7: Parts List (SD-1000H/2000H)

No.	Description	Part No.	No.	Description	Part No.
1	Lower cover	-	14	3" honeycomb flange	-
2	Roller chain	YW09081500000	15	Honeycomb stator	-
3	Driven sprocket	-	16	Microswitch stator	-
4	Honeycomb	YW71554000100	17	Micrswitch	YE14152400000
5	Double-end screw	BH10554500040	18	Micrswitch box	-
6	Honeycomb shaft	-	19	Micrswitch stator 2	-
7	Regeneration scattered wind plate	-	20	Gear motor	YM10094000100
8	Upper cover	-	21	Mounting plate of gear motor	-
9	5" honeycomb flange	-	22	Drive sprocket	-
10	Flat washer 16	-	23	Locating tube	-
11	Spring	YW01201800000	24	3" honeycomb flange	-
12	Hex nut M16	-	25	5" honeycomb flange	-
13	Hexgon socket head cap screw M8	-	26	Drying scattered wind plate	-

* means possible broken parts.

** means easy broken part. and spare backup is suggested.

Please confirm the version of manual before placing the purchase order to guarantee that the item number of the spare part is in accordance with the real object.



Picture 2-11: Optional Honeycomb (dew-point: -50°C) Parts Drawing
(SD-700H/1000H/2000H)

2.6.12 Parts List of Optional Honeycomb (dew-point: -50°C)
(SD-700H/1000H/2000H)

Table 2-8: Parts List (SD-700H)

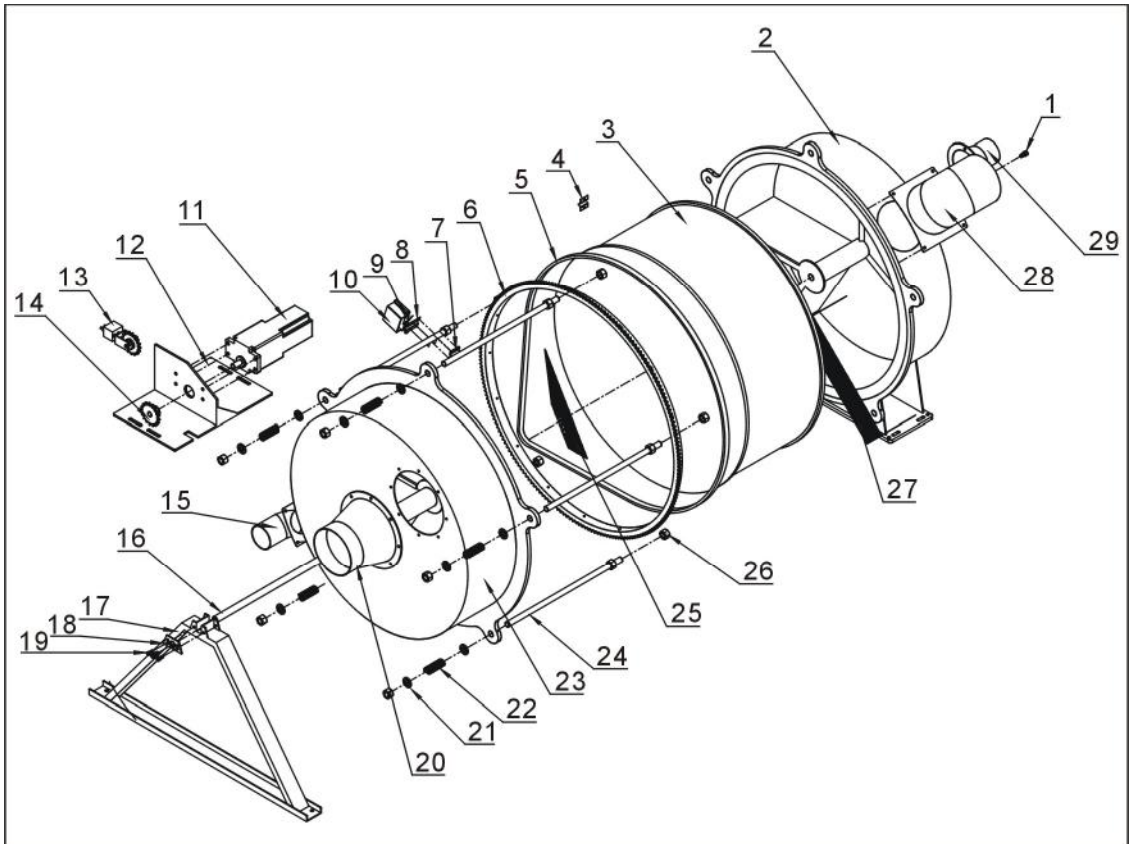
No.	Description	Part No.	No.	Description	Part No.
1	4" Honeycom flange	-	13	Hexgon socket head cap screw M8	-
2	2.5" honeycomb flange	-	14	Honeycomb stator	-
3	Lower cover	-	15	Microswitch stator	-
4	Honeycomb shaft	-	16	Microswitch	YE14152400000
5	Synchronous belt	YR00305800000	17	Gear motor	YM50512600000
6	Synchronous pulley	YR00003000000	18	Microswitch box	-
7	Honeycomb	YW71440400000	19	Microswitch stator 2	-
8	Double-end screw	BH10554500040	20	Belt adjustor	-
9	Upper cover	-	21	Mounting plate of gear motor	-
10	Flat washer 16	-	22	Locating tube	-
11	Spring	YW01201800000	23	Synchronous pulley	-
12	Hex nut M16	-			

* means possible broken parts. ** means easy broken part. and spare backup is suggested. Please confirm the version of manual before placing the purchase order to guarantee that the item number of the spare part is in accordance with the real object.

Table 2-9: Parts List (SD-1000H/2000H)

No.	Description	Part No.	No.	Description	Part No.
1	5" Honeycom flange	-	13	Hexgon socket head cap screw M8	-
2	3" honeycomb flange	-	14	Honeycomb stator	-
3	Lower cover	-	15	Microswitch stator	-
4	Honeycomb shaft	-	16	Microswitch	YE14152400000
5	Synchronous belt	YR00357300000	17	Gear motor	YM10940000200
6	Synchronous pulley	YR00003800000	18	Microswitch box	-
7	Honeycomb	YW71554000100	19	Microswitch stator 2	-
8	Double-end screw	BH10554500040	20	Belt adjustor	-
9	Upper cover	-	21	Mounting plate of gear motor	-
10	Flat washer 16	-	22	Locating tube	-
11	Spring	YW01201800000	23	Synchronous pulley	-
12	Hex nut M16	-			

* means possible broken parts. ** means easy broken part. and spare backup is suggested. Please confirm the version of manual before placing the purchase order to guarantee that the item number of the spare part is in accordance with the real object.



Picture 2-12: Standard Configured Honeycomb Parts Drawing (SD-1500H)

2.6.13 Parts List of Standard Configured Honeycomb (SD-1500H)

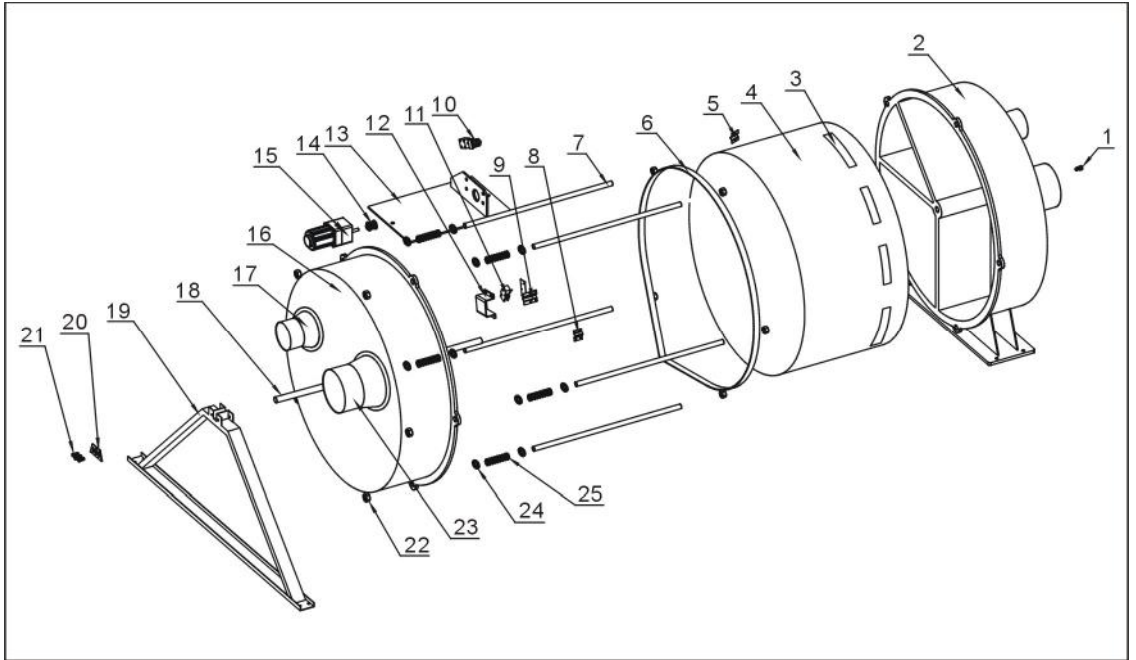
Table 2-10: Parts List (SD-1500H)

No.	Description	Part No.	No.	Description	Part No.
1	Hexgon socket head cap screw M8×20	-	16	Honeycomb shaft	-
2	Fixed cover	-	17	Honeycomb support	-
3	Honeycomb	YW71773000100	18	Lag	-
4	Honeycomb stator	-	19	Hexgon socket head cap screw M6×10	-
5	Roller Chain	YW09085100000	20	6" honeycomb flange	-
6	Driven sprocket	-	21	Flat washer 16	-
7	Microswitch stator	-	22	Spring	YW01318365000
8	Microswitch stator 2	-	23	Movable cover	-
9	Microswitch	YE14152400000	24	Double-end screw	BH10543000040
10	Microswitch box	-	25	Regeneration scattered wind plate	-
11	Gear motor	YM50560100000	26	Hex screw M16	-
12	Motor base	-	27	Drying scattered wind plate	-
13	Chain tensioner	-	28	6" honeycomb flange	-
14	Drive sprocket	-	29	3" honeycomb flange	-
15	3" honeycomb flange	-			

* means possible broken parts.

** means easy broken part. and spare backup is suggested.

Please confirm the version of manual before placing the purchase order to guarantee that the item number of the spare part is in accordance with the real object.



Picture 2-13: Optional Honeycomb (dew point: -50°C) Parts Drawing(SD-1500H)

2.6.14 Parts List of Optional Honeycomb (dew point: -50°C) (SD-1500H)

Table 2-11: Parts List (SD-1500H)

No.	Description	Part No.	No.	Description	Part No.
1	Hexgon socket head cap screw M8×20	-	14	Synchronous pulley	-
2	Fixed honeycomb	-	15	Gear motor	YM10916000000
3	Synchronous belt	YR00003800000	16	Movable honeycomb cover	-
4	Honeycomb	YW71773000100	17	3" honeycomb flange	-
5	Honeycomb stator	-	18	Honeycomb shaft	-
6	Synchronous gear	YR00262100000	19	Honeycomb support	-
7	Double-end screw	BH10543000040	20	Lag	-
8	Microswitch stator	-	21	Hexgon socket head cap screw M6×10	-
9	Microswitch stator 2	-	22	Hex nut M16	-
10	Belt adjustor	-	23	6" honeycomb flange	-
11	Microswitch	YE14152400000	24	Flat washer 16	-
12	Microswitch box	-	25	Spring	-
13	Motor base	-			

* means possible broken parts.

** means easy broken part. and spare backup is suggested.

Please confirm the version of manual before placing the purchase order to guarantee that the item number of the spare part is in accordance with the real object.