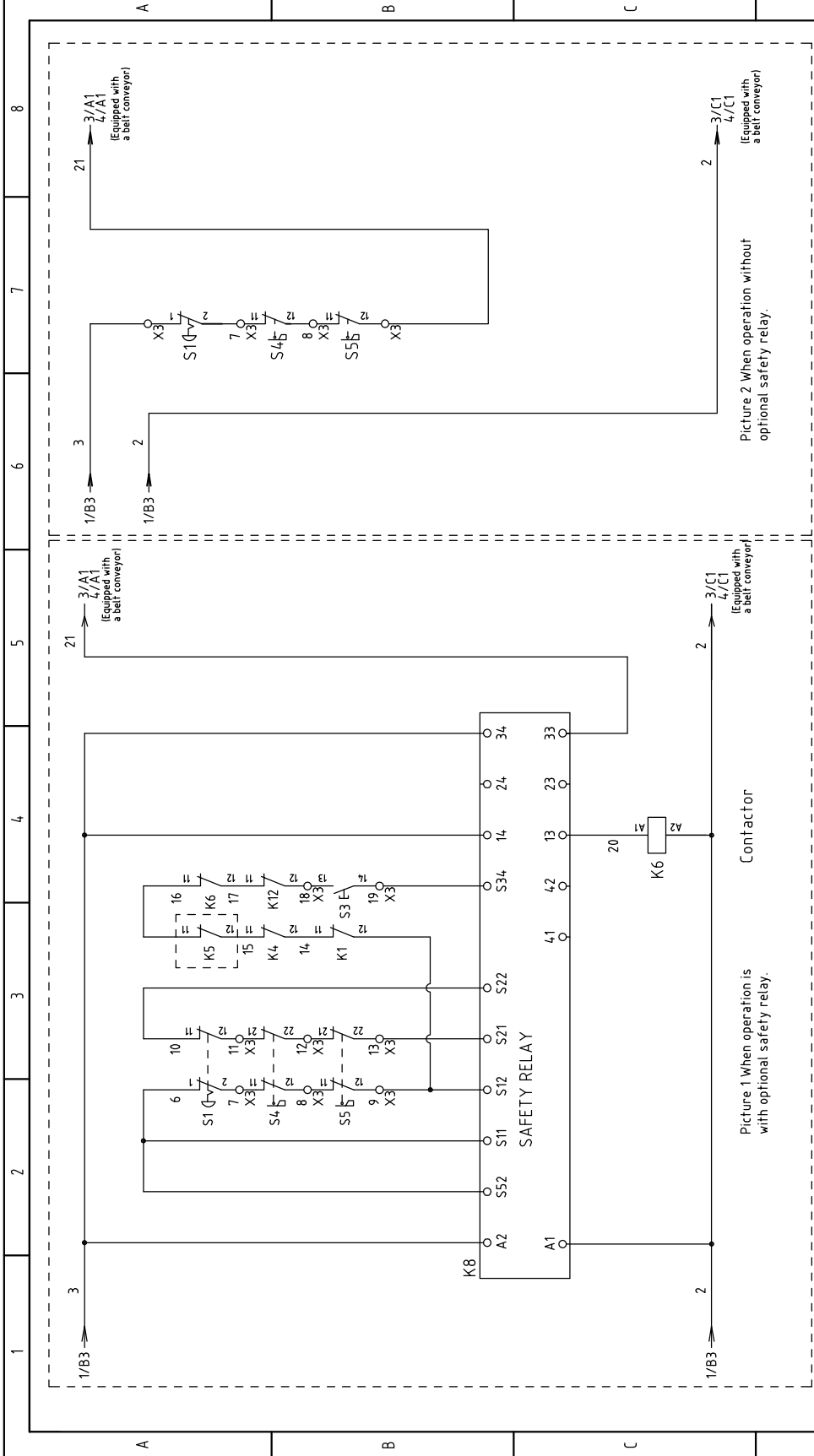


版本 Ver.B		Drawing No. SG-3650		Page 1	
Title Main Circuit Diagram		Scale CE		Page 8	
Version Approved by		Standard CE		Voltage 230V	
Designer Proofread by		Date 20170427		Frequency 50Hz	
Checked by		Modified by		Before modification	
Modify Date		After modification		Mark	
1		2		3	
4		5		6	
7		8		8	

SHINI
 信易塑料机械股份有限公司
 Shini Plastics Technologies, Inc.

Note: it is used when augmented feeding blower is chosen. Q2=16A, F2=4.5-6.3A, P=1.5KW, IN=5.7A, Granulating motor
 P=1.1kW IN=4.3A Conveying motor
 P=1.1kW IN=4.3A Dust-removing blower (Option)



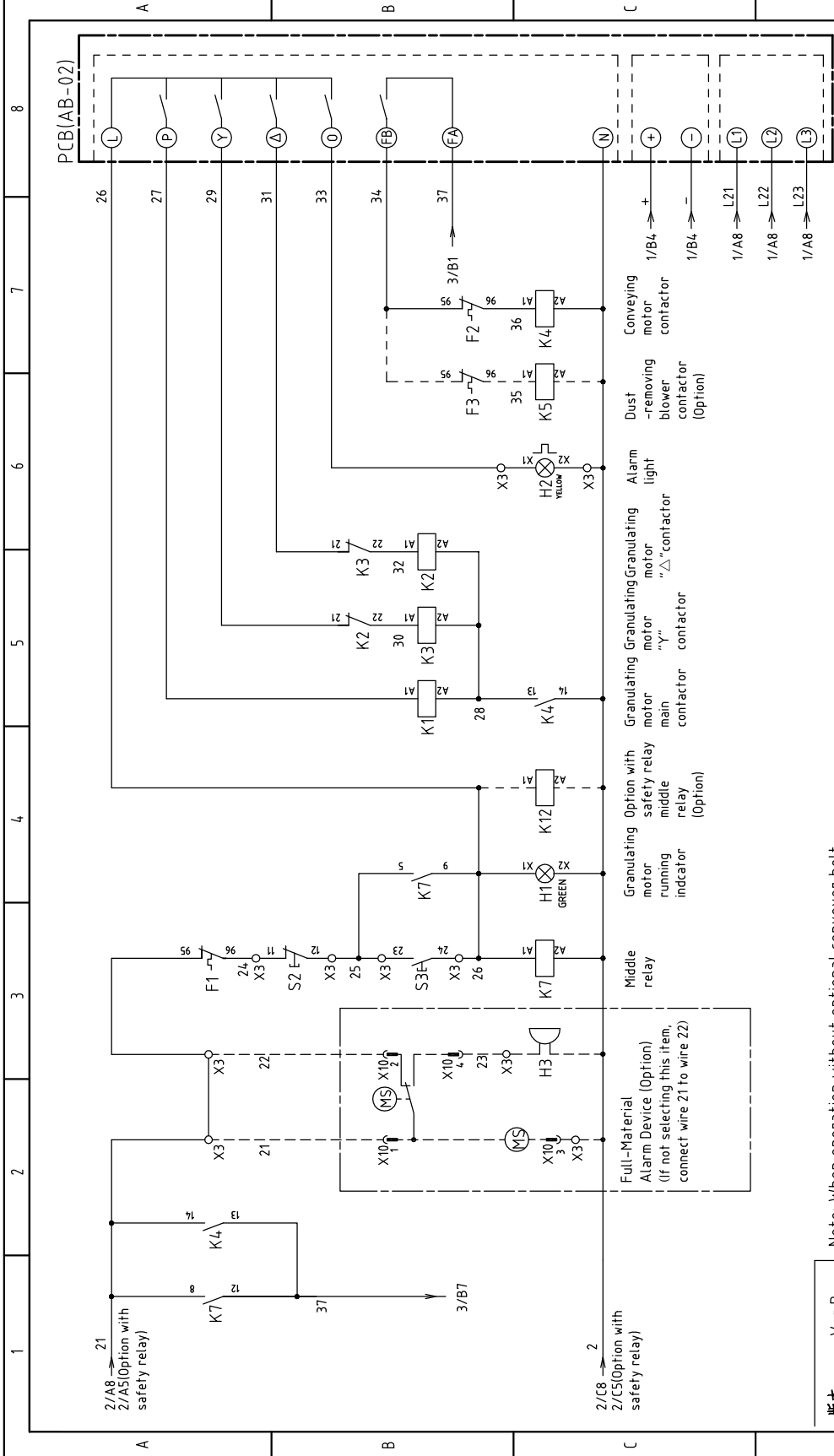
Picture 1 When operation is with optional safety relay.

Picture 2 When operation without optional safety relay.

版本 Ver.B

Mark	Before modification	Modified by	Modify date	Checked by	Date	20170427
	After modification	Modified by	Modify date	Checked by	Date	
Title	SG-3650			Version	F	
	Control Circuit Diagram 1			Designer	Proofread by	Approved by
Scale	SG-3650-CE-230V-F-2			Version		
	Standard	CE	Totally	8	Pages	
Page	2			Voltage	230V	
	8			Frequency	50Hz	

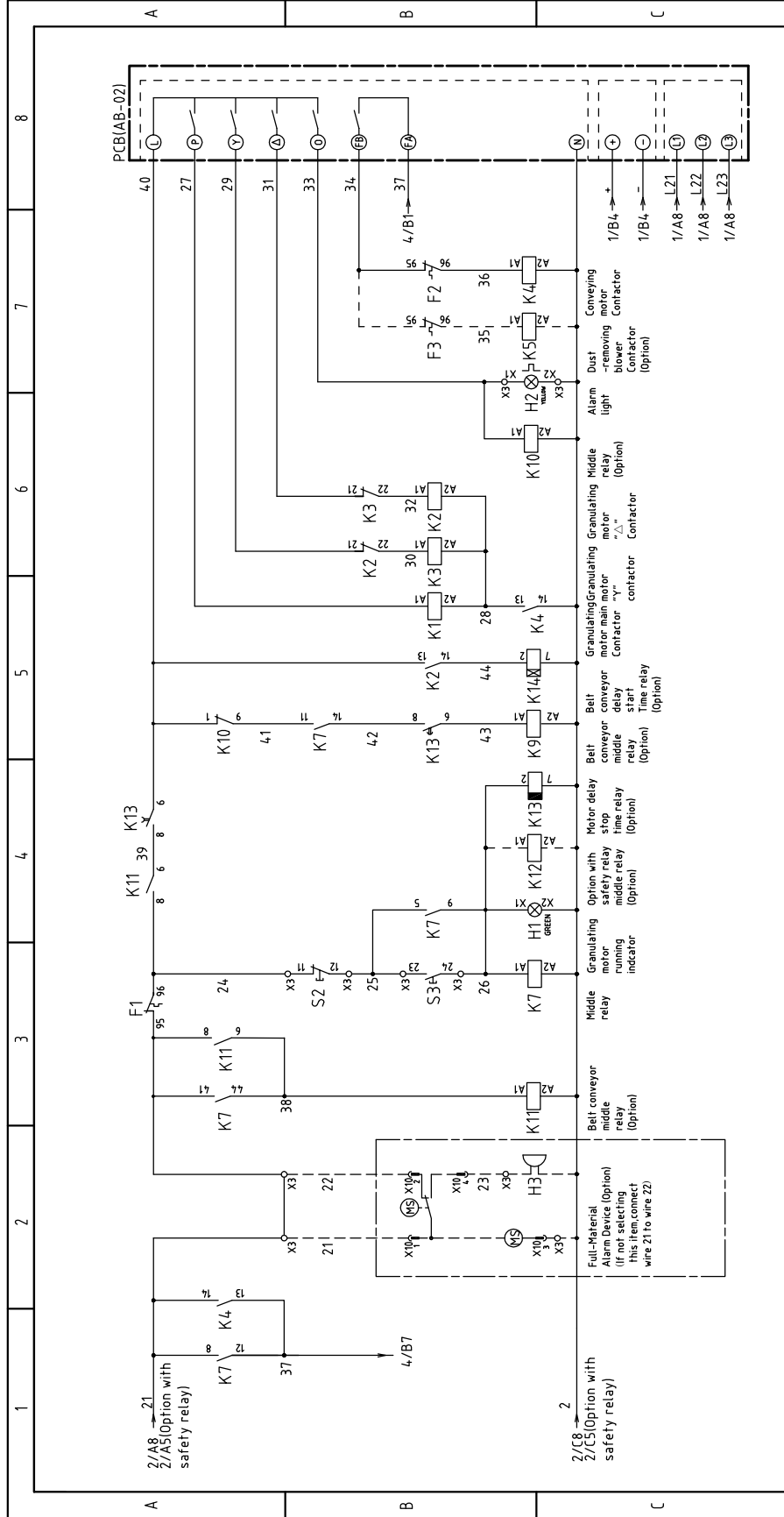




Ver.B

Note: When operation without optional conveyor belt.

D	Scale	Page 3	Drawing NO.	Title	Version	F	Drawer	Designer	Proofread by	Checked by	Date	20170427	Mark	Before modification	After modification	Modify date	Checked by	Date	20170427	Approved by	Standard	CE	Voltage	230V	Frequency	50Hz	Totally	8	Pages														
	Standard	CE																												Standard	CE	Standard	CE	Standard	CE	Standard	CE	Standard	CE	Standard	CE	Standard	CE
SG-3650		SG-3650-CE-230V-F-3		Control Circuit Diagram 2		SHINI		信易塑料机械股份有限公司		Shini Plastics Technologies, Inc.		8		7		6		5		4		3		2		1		8		7		6		5		4		3		2		1	

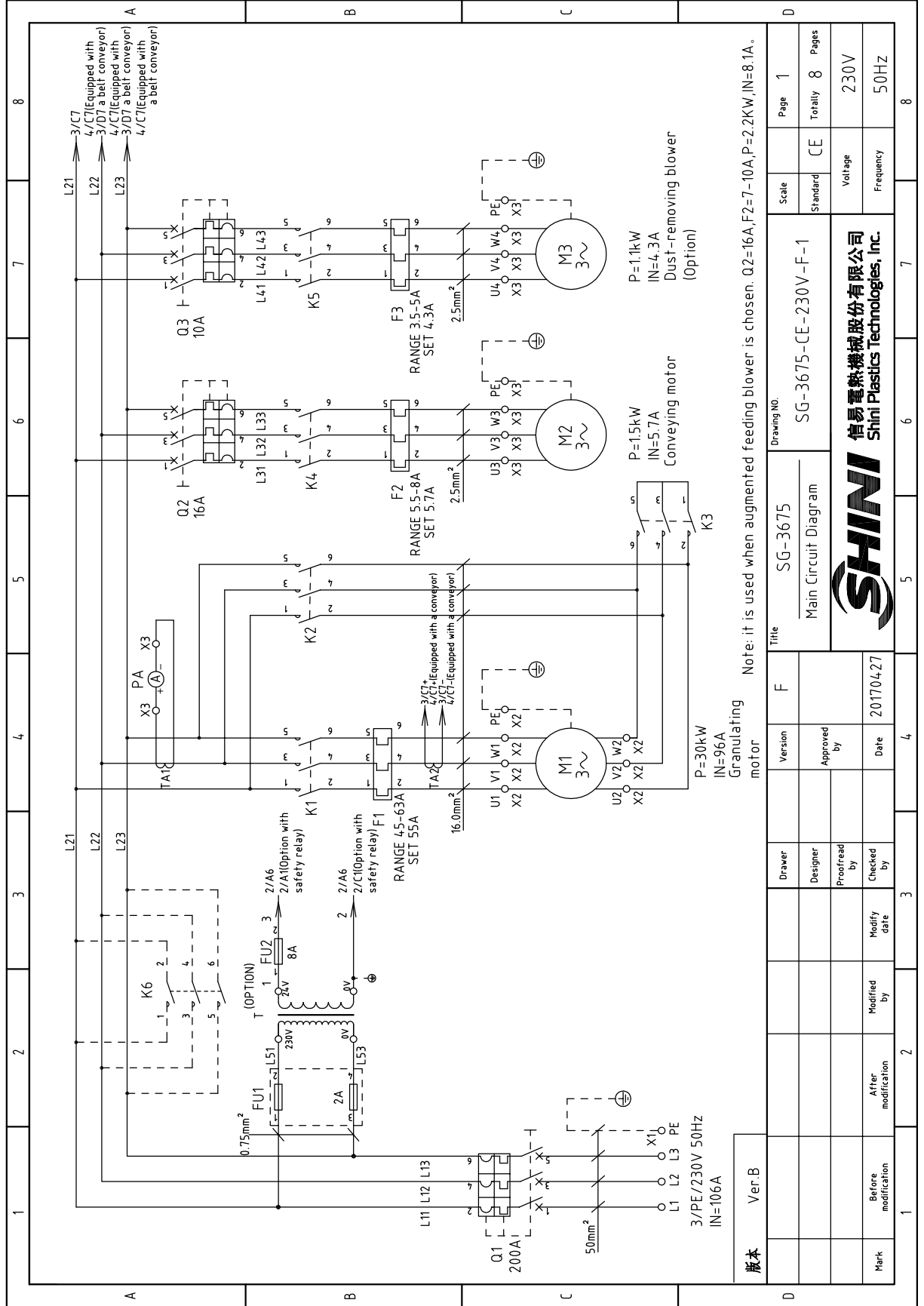


版本	Ver.B	Note: When operation with optional conveyor belt.	
Mark	Before modification	Modified by	20170427
	After modification	Checked by	
Title	SG-3650	Version	F
	Control Circuit Diagram 3	Approved by	
Drawing NO.	SG-3650-CE-230V-F-4	Designer	
		Proofread by	
Scale	Standard	Drawer	
	CE	Checked by	
Page	4	Modify date	
	Totally 8	After modification	
Pages	230V	Before modification	
	50Hz	After modification	



1		2		3		4		5		6		7		8	
NO.	Symbol	Name	Manufacturer	Type	Specification	Number	Material number	Remark							
26	F1	Overload relay	SIEMENS	3RU5136-4HB0	4.0-50A	1	YE01513600900								
27	F2	Overload relay	SIEMENS	3RU6116-1FB0	3.5-5A	1	YE01160350000								
28	F2	Overload relay	SIEMENS	3RU6116-1GB0	4.5-6.3A	1	YE01160450000	(5)							
29	F3	Overload relay	SIEMENS	3RU6116-1FB0	3.5-5A	1	YE01160350000	(2)							
30	FU1	Fuse	CHINT	RT28-32	2P	1	YE41032200000								
31		Fuse core	CHINT	10x38 500V	2A	2	YE46002000100								
32	FU2	Fuse	YINDA	FS-10	2A	1	YE41001000000	(4)							
33		Glass tube	---	---	8A	1	YE46863000200								
34	X1	Terminal	HoneyWell	35mm ² PE	-----	1	YE60003503500								
35	X2	Terminal	HoneyWell	10mm ²	-----	6	YE60001003200								
36			HoneyWell	10mm ² PE	-----	1	YE60001003500								
37	X3	Terminal	HoneyWell	2.5mm ²	-----	17	YE60002503200								
38			HoneyWell	2.5mm ² PE	-----	1	YE60002503400								
39			HoneyWell	2.5mm ²	-----	3	YE60002503200	(2)							
40			HoneyWell	2.5mm ² PE	-----	1	YE60002503400	(2)							
41			HoneyWell	2.5mm ²	-----	4	YE60002503200	(3)							
42			HoneyWell	2.5mm ²	-----	8	YE60002503200	(4)							
43			HoneyWell	2.5mm ²	-----	2	YE60002503200	(6)							
44	X4	Metal joint	SHINI	PLT-162-RR(凸)	2P	1	YE68016200100	(1)(6)							
45	X10	Metal joint	SHINI	PLT-254PM	4P	1	YE68025400000	(1)(3)							
46			SHINI	PLT-254RF	4P	1	YE68025400100	(1)(3)							
47	S1	Emergency stop button	SCHNEIDER	XB2BS542C	400VAC	1	YE11254200000	(1)							
48		Contact block	SCHNEIDER	ZB2BE102C	1NC	1	YE00210203100	(1)(4)							
49	S2	Stop button	SCHNEIDER	XB2BA22C	400VAC	1	YE11222000000	(1)							
50	S3.H1	Start button	SCHNEIDER	XB2BW33B1C	24VAC	1	YE11233100000	(1)							
版本		Ver.B	Note:(3) Means optional accessories of full-receive alarm device. (4)Stand for optional safety relay.												
D		Title		Drawing NO.		Scale		Page		Standard		Voltage		Pages	
		SG-3650		SG-3650		SG-3650-CE-230V-F-7		7		CE		230V		8	
Mark		Before modification		Modified by		Modify date		Checked by		Date		Frequency		50Hz	
						20170427						50Hz			
1		2		3		4		5		6		7		8	



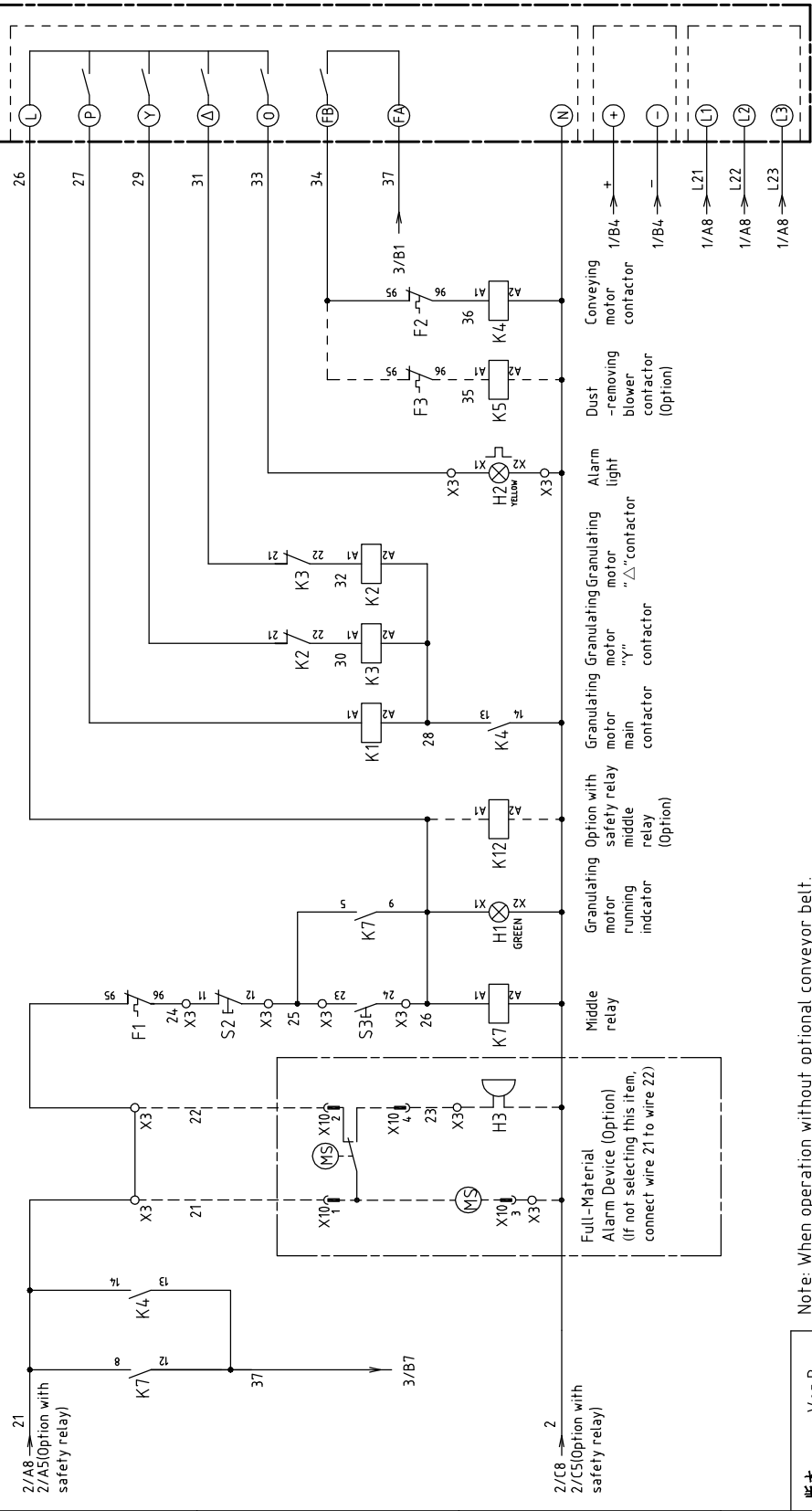


版本 Ver.B

Note: it is used when augmented feeding blower is chosen. Q2=16A, F2=7-10A, P=2.2KW, IN=8.1A.

Mark		Before modification	Modified by	Modify Date	Date		20170427	
Checked by		Checked by		Date		20170427		
Proofread by		Approved by		Version		F		
Designer		Title		SG-3675		Drawing NO.		
Scale		CE		Page 1		Page 1		
Standard		Voltage		230V		Totally 8		
Frequency		50Hz		8		Pages		
Main Circuit Diagram		SG-3675-CE-230V-F-1		8		Pages		
SHINI		信易電熱機械股份有限公司		Shini Plastics Technologies, Inc.		8		

PCB(AB-02)

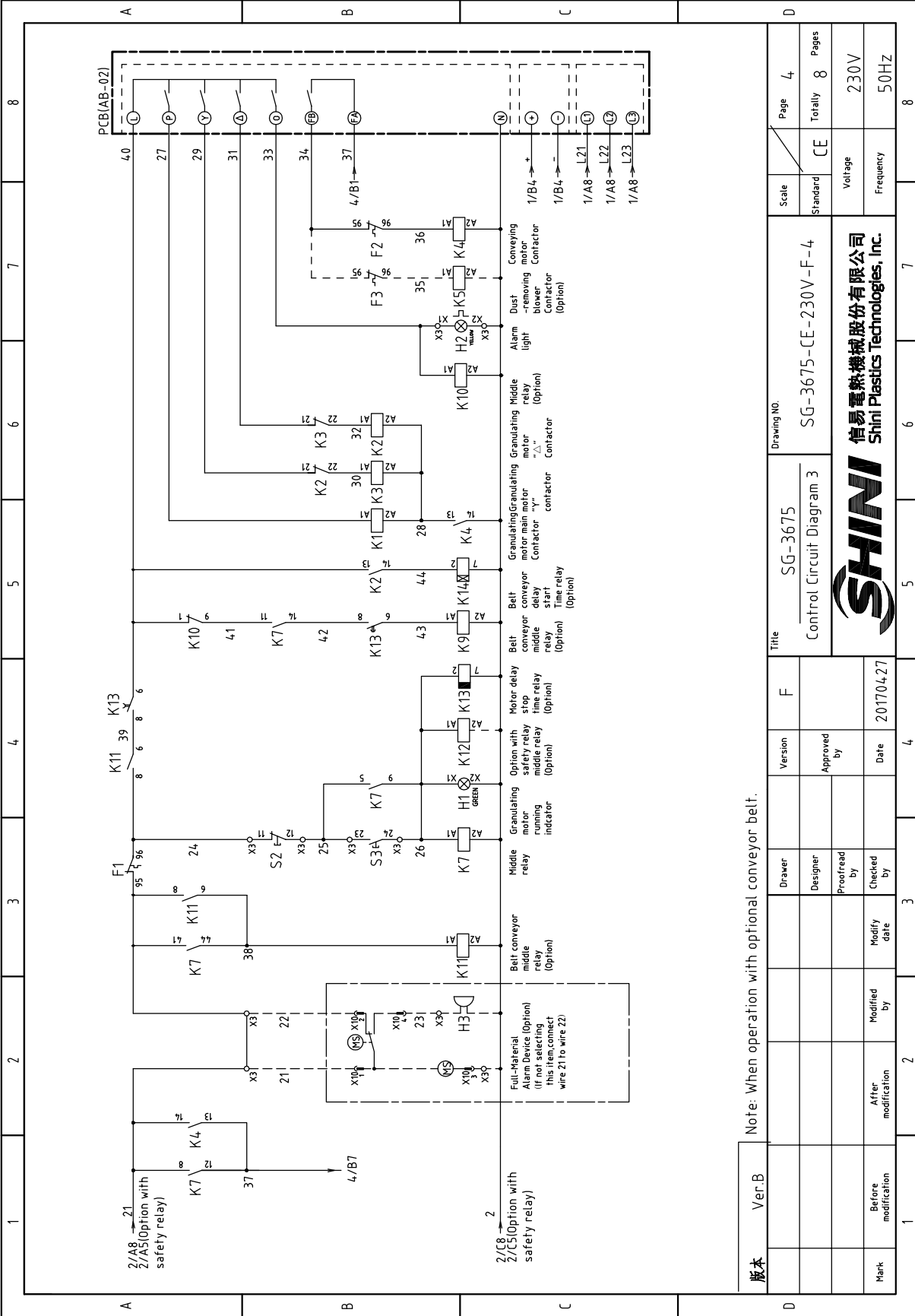


Note: When operation without optional conveyor belt.

版本	Ver.B
Mark	Before modification
	After modification
	Modify date
	Checked by
	Proofread by
	Designer
	Drawer
	Version
	F
	Approved by
	Date
	20170427

Title		Drawing NO.	
SG-3675		SG-3675-CE-230V-F-3	
Control Circuit Diagram 2		Page 3	
Standard		CE	
Voltage		230V	
Frequency		50Hz	
Scale		Totally 8	
Standard		Pages	
Voltage		230V	
Frequency		50Hz	



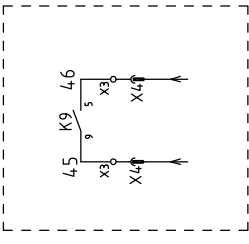


版本	Ver.B	Title	SG-3675		Drawing NO.	SG-3675-CE-230V-F-4		Scale	Page	4
			Control Circuit Diagram 3			Standard	Totally		8	
Mark	Before modification	After modification	Modified by	Modify date	Checked by	Proofread by	Designer	Drawer	Voltage	
									230V	
									Frequency	
									50HZ	
									8	

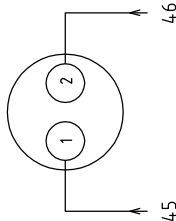


Note: When operation with optional conveyor belt.

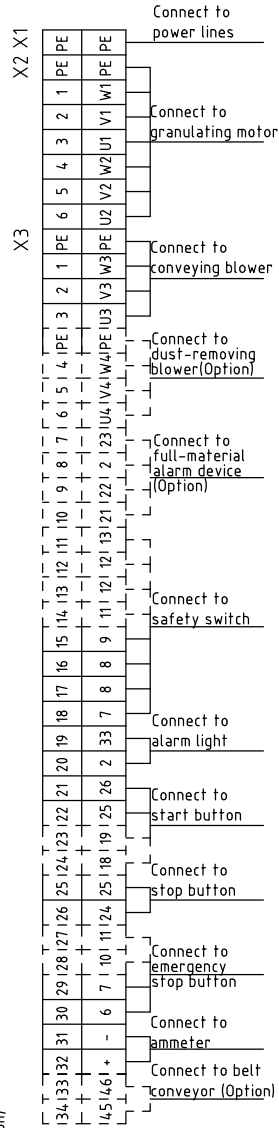
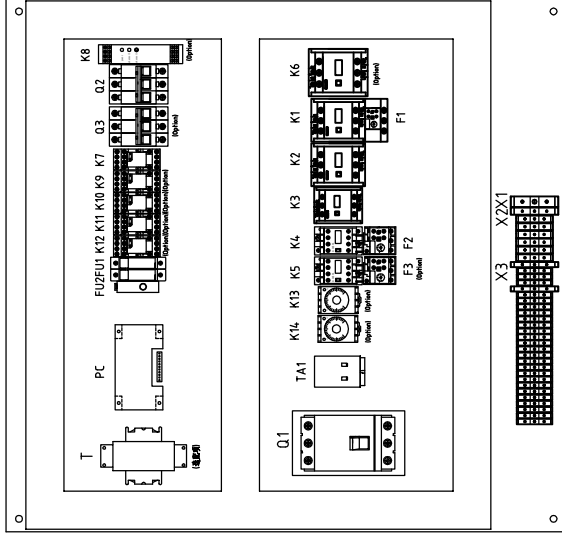
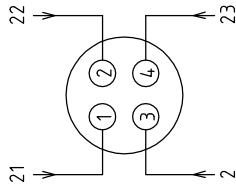
Control contact wiring diagram in collocation with belt conveyor



X4 Connection diagram of metal connectors
Connect to belt conveyor
(Option)



X10 Connection diagram of metal connectors
Connect to full-receive alarm device(option)



版本 Ver:B

Note: Not when worthy safety relays, will 6 terminals to 3, 9 terminals to 21.

Mark	Before modification	After modification	Modify date	Date	20170427
Mark					
Designer					
Proofread by					
Checked by					
Version					
Approved by					
Version					
Drawer					
Design No.	SG-3675		Electrical Components Layout		
Title	SG-3675		SG-3675-CE-230V-F-5		
Scale	Standard	CE	Page	5	
Standard	CE	Page	Totally		8
Voltage	230V				
Frequency	50Hz				



1		2		3		4		5		6		7		8	
NO.	Symbol	Name	Manufacturer	Type	Specification	Number	Material number	Remark							
1	Q1	Breaker interlock	ABB	A2B250TMF200	200A	1	YE41252200000								
2	Q2	Circuit breaker	TECO	BM-63C/3P	16A	1	YE40301603000								
3	Q2	Circuit breaker	TECO	BM-63C/3P	16A	1	YE40301603000	(5)							
4	Q3	Circuit breaker	TECO	BM-63C/3P	10A	1	YE40301003000	(2)							
5	K1	Contact	SIEMENS	3RT5044-1AC20	24VAC 50/60Hz	1	YE00504402600								
6		Auxiliary contact	SIEMENS	3RH5921-1CA01	1NC	1	YE00592110100	(4)							
7	K2	Contact	SIEMENS	3RT5044-1AC20	24VAC 50/60Hz	1	YE00504402600								
8		Auxiliary contact	SIEMENS	3RH5921-1CA01	1NC	1	YE00592110100								
9		Auxiliary contact	SIEMENS	3RH5921-1CA10	1NO	1	YE00592110000	(6)							
10	K3	Contact	SIEMENS	3RT5044-1AC20	24VAC 50/60Hz	1	YE00504402600								
11		Auxiliary contact	SIEMENS	3RH5921-1CA01	1NC	1	YE00592110100								
12	K4	Contact	SIEMENS	3RT6016-1AB01	24VAC 50/60Hz	1	YE00601602500								
13	K4	Contact	SIEMENS	3RT6017-1AB01	24VAC 50/60Hz	1	YE00601702500	(5)							
14		Auxiliary contact	SIEMENS	3RH6911-1HA11	1NC+1NO	1	YE00691100100								
15	K5	Contact	SIEMENS	3RT6016-1AB02	24VAC 50/60Hz	1	YE00601602600	(2)							
16	K6	Contact	SIEMENS	3RT5054-1AB36	24VAC 50/60Hz	1	YE00505400900	(4)							
17	K7	Middle relay	Honeywell	GR-2C-AC24V	24VAC	1	YE03022400300								
18	K7	Middle relay	Honeywell	GR-4C-AC24V	24VAC	1	YE03042400300	(6)							
19	K8	Safety relay	PILZ	PN0Zx2.8P	24V AC/DC	1	YE04023000000	(4)							
20	T	Transformer	BAIYUN	IN=230V OUT=24V	230VA	1	YE70023005700	(4)							
21	K9 K10 K11	Middle relay	Honeywell	GR-2C-AC24V	24VAC	3	YE03022400300	(6)							
22	K12	Middle relay	Honeywell	GR-2C-AC24V	24VAC	1	YE03022400300	(4)							
23	K13	Timer	YUYUN	TRF-N/3M	24VAC	1	YE86032400000	(6)							
24	K14	Timer	YUYUN	TH3A-NAB 60S	24VAC	1	YE86602400300	(6)							
25	F1	Overload relay	SIEMENS	3RU5146-4JB0	45-63A	1	YE01514640000								
版本		Ver.B	Notes: (1)Means it's not the material inside the control box. (2)Means optional accessories of dedusting blower.												
D				Drawer	Version	F	Title		Drawing NO.		Scale	Page	6		
				Designer	Approved by	SG-3675		SG-3675-CE-230V-F-6		Standard	CE	Voltage		230V	
				Proofread by	20170427		Electrical Components List 1				Frequency		50Hz		
Mark		Before modification	Modified by	Modify date	Checked by			SHINI		信易塑料机械股份有限公司		Shini Plastics Technologies, Inc.		8	
1		2		3		4		5		6		7		8	

1		2		3		4		5		6		7		8	
NO.	Symbol	Name	Manufacturer	Type	Specification	Number	Material number	Remark							
51	S4,S5	Safety switch	SCHMERSRC	AZ15-02ZVRK-1476	AZ-15	2	YE1614.7600100	(1)							
52	S4,S5	Safety switch	SCHMERSRC	AZ16-02ZVRK-1476	AZ-16	2	YE1614.7600000	(1)(4)							
53	H2	Alarm light	SHINI	LED-3051	24VAC	1	YE83305100900	(1)	A						
54	H3	Buzzer	TEND	EA-2	24VAC	1	YE8424.0200000	(1)(3)							
55	MS	Material level switch	SIPAI	SR-80	24VAC	1	YE15802400100	(1)(3)							
56	PA	Ammeter	SFIM	DH-670	150/5A	1	YE25671500000	(1)							
57	TA1	Current transformer	RATIO	RCT-35	150/5A	1	YE04150500000								
58	TA2	Current transformer	YUYUN	-----	5-100A	1	-----								
59	PCB	PCB	YUYUN	AB-02	24VAC	1	YE80022400100								
60	M1	Granulating motor	-----	30KW	230V 60HZ	1	-----	(1)							
61	M2	Suction blower	-----	15KW	230V 60HZ	1	-----	(1)	B						
62	M2	Suction blower	-----	2.2KW	230V 60HZ	1	-----	(5)							
63	M3	Dust-removing blower	-----	1.1KW	230V 60HZ	1	-----	(1)(2)							
C															
D															
版本 Ver.B Note: (5)Stand for conveying belt optional accessories. (6)Stand for options of the feeding blower to increase the power.															
				Title SG-3675 Electrical Components List 3		Version F Approved by		Drawing NO. SG-3675-CE-230V-F-8		Scale Standard CE		Page 8 Totality 8 Pages			
Mark		Before modification		After modification		Modified by		Modify date		Checked by		Date		20170427	
														SHINI 信易塑料机械股份有限公司 Shini Plastics Technologies, Inc.	
1		2		3		4		5		6		7		8	