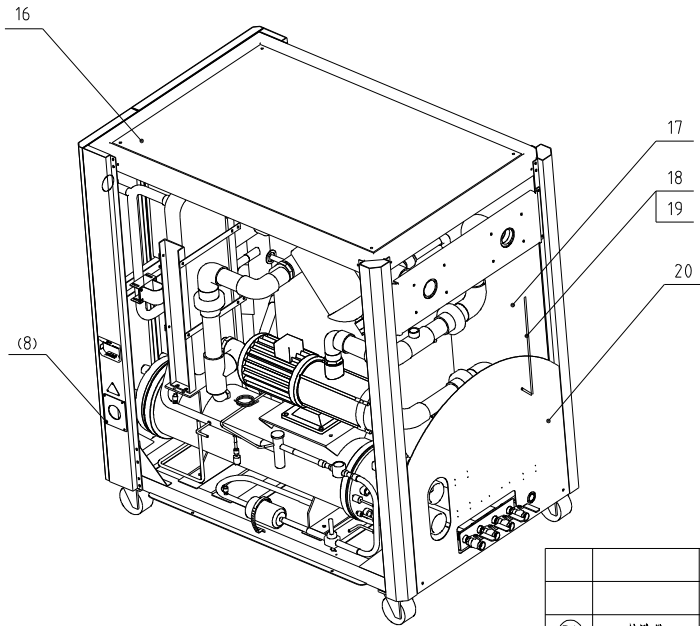
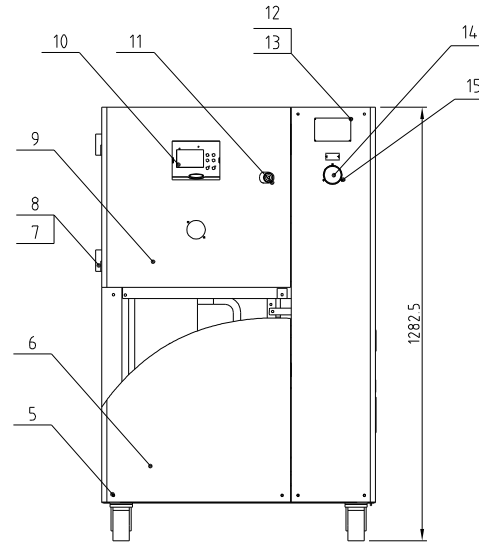
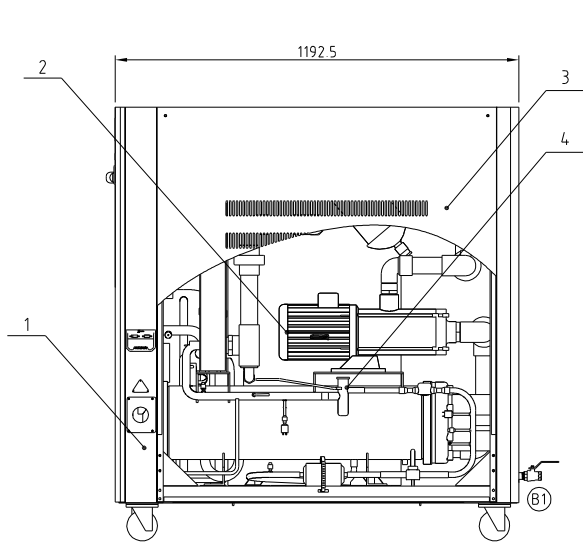
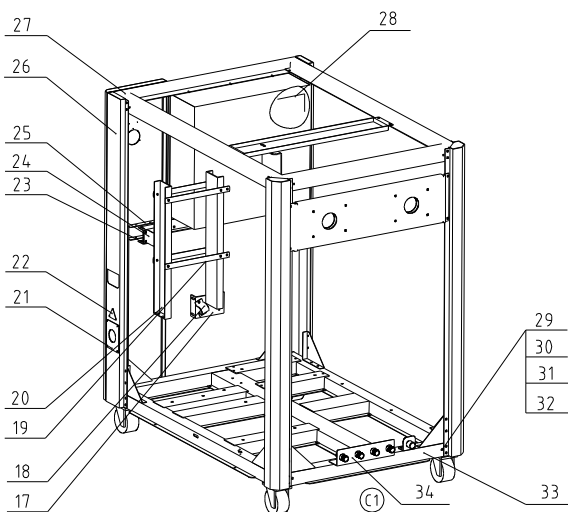
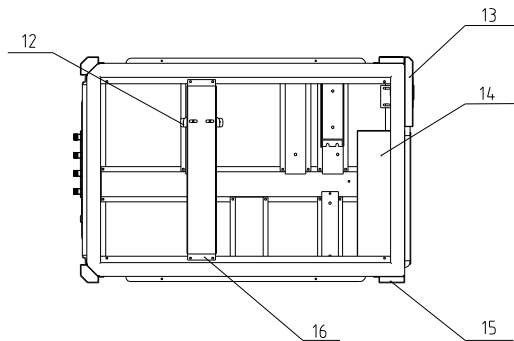
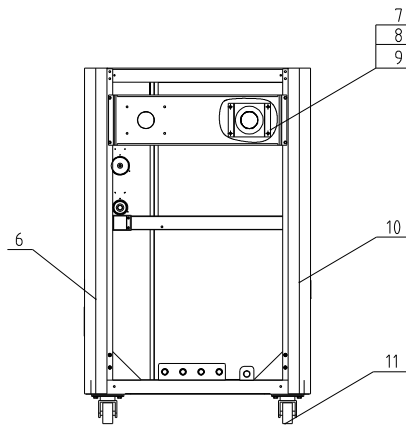
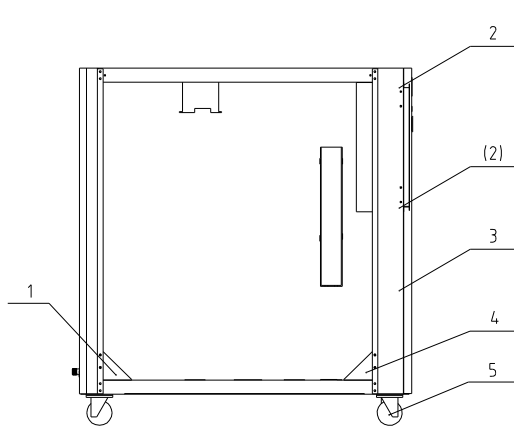


Cooling Capacity (outlet temperature 20/15/W)	Cooling Capacity (outlet temperature 19/15/W)	Cooling Capacity (outlet temperature 15/15/W)	Total power (mid/high pressure)	Cooling water inlet (inch)	Cooling water outlet (inch)	Chilled water inlet (inch)	Chilled water outlet (inch)	Drain port (inch)	Water tank refill port (inch)	Cooling water flow (L/min)	Chilled water flow (L/min)	Water tank capacity (L)	Weight (kg)	Ver.
33kw	37kw	4.4kw	13.2/14kw	Rc2	Rc2	Rc1.5	Rc1.5	Rc1/2	Rc1/2	156.5	125.2	150	350	A



20	SIC-38W-R2-ALL-04	Rear plate	SPCC15	1	Borrowed
19	YR90000022000	Air conditioning cable ties		4	
18	YR60620000100	Transparent air pipe M6	Structural parts	3m	
17	SIC-38W-R2-ALL-02	Left side plate	SPCC15	1	Borrowed
16	SIC-38W-R2-ALL-05	Top plate	SPCC15	1	Borrowed
15	YW63030600000	Cross recessed pan head screw M3x6		4.8	3
14	YP30425000000	Pump pressure gauge	Assembly		1
13	YP30804900700	Machine nameplate	Assembly		1
12	YW69020500000	Rivet 2x5		4.8	21
11	YW00816100000	Door lock	SPCC15		1
10	YE80317501900	Water chiller controller	Assembly		1
9	SIC-38W-R2-ALL-01	Front upper door plank	SPCC15	1	Borrowed
8	YW62051000100	Large cross socket flat head screw M5x10		4.8	8
7	YW062031004.00	Large hinge CL203-1(left)	Structural parts		2
6	SIC-38W-R2-ALL-06	Front lower door plank	SPCC15	1	Borrowed
5	YW62063500000	Flat head screw M6x35		4.8	12
4	SIC-38W-R2-C-ALL	Refrigerant system	Assembly		1 Borrowed
3	SIC-38W-R2-ALL-03	Right side plate	SPCC15	1	Borrowed
2	SIC-38W-R2-P-B-ALL	Water system	Assembly		1
1	SIC-38W-R2-A-ALL	Rack assembly	Assembly		1 Borrowed
序号	代号	名称	材质	数量	备注

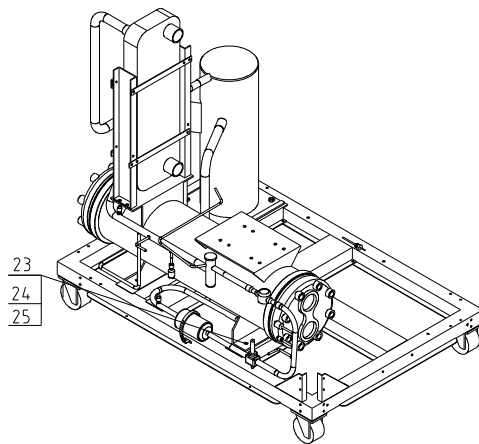
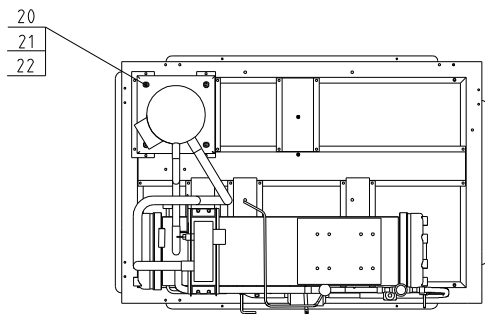
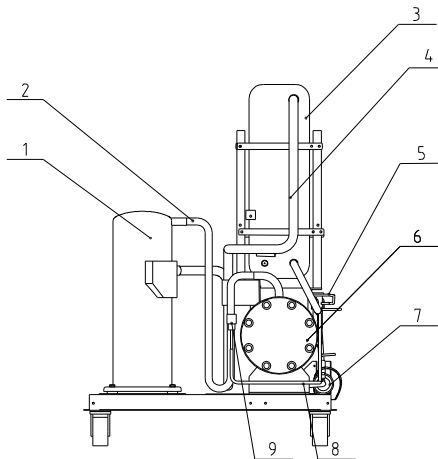
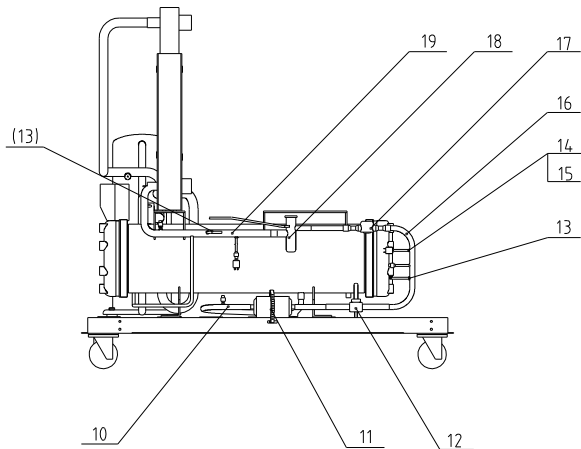
				制图		版号	B	标题	SIC-38W-R2-P	图号	SIC-38W-R2-P-ALL	比例	1:14	数量	1
				设计		核准		总装图					材质	Assembly	
(B1)	外购件	自制件		20231007	校对				信易电热机械股份有限公司 Shini Plastics Technologies, Inc.		表面要求		/		
标记	更改前	更改后	更改人	日期	审核	日期	20230306				物料号		/		



34	SIC-33A-R2-A-38	Drainage fixed plate combination	SPCC2.0	1	Borrowed
33	SIC-38W-R2-A-ALL-01	Bottom frame combination	Assembly	1	
32	YW64000600300	Hex nut M6	5.0	74	
31	YW65006000100	Spring washer GB/T193.6	65Mn	118	
30	YW660613000000	Flat washer A grade GB/T193.6	14.0HV	118	
29	YW60062000100	Hex bolt M6x20	4.8	118	
28	SIC-38W-R2-A-07	Electrical base plate	SECC1.5	1	
27	SIC-38W-R2-A-10	Top frame	SPCC2.0	1	
26	SIC-38W-R2-A-03	Right front pillar	SPCC2.0	1	
25	SIC-38W-R2-A-08	Front middle crossbeam	SPCC2.0	1	
24	SIC-33A-R2-A-25	Fixing clip for return air pipe	SPCC1.0	1	Borrowed
23	SIC-38W-R2-A-16	Fixed connection block for return air pipe	SPCC2.0	1	
22	YP31051650000	Triangle power supply 3-phase 400V		1	
21	SG-S-01	Wire clamp fixing plate M32	SPCC2.0	1	
20	SIC-38A-R2-A-20	Plate exchange fixing plate	SPCC3.0	2	Borrowed
19	SIC-33A-R2-A-18	Evaporator fixing plate	SPCC2.0	4	Borrowed
18	SIC-33A-R2-A-24	Exhaust pipe fixing clip	SPCC1.0	1	Borrowed
17	SIC-38W-R2-A-19	Fixed connection block for exhaust pipe	SPCC3.0	1	
16	SIC-38W-R2-A-11	Filter fixing crossbeam	SPCC2.0	1	
15	SIC-38W-R2-A-02	Left front pillar	SPCC2.0	1	
14	SIC-38W-R2-A-06	Control box	SPCC1.5	1	
13	SIC-38W-R2-A-01	Meter plate	SPCC2.0	1	
12	SIC-38W-R2-A-12	Filter fixing block	SPCC3.0	1	
11	YW03000300000	Black rubber wheel 3 inches/brake applied	Assembly	2	
10	SIC-38W-R2-A-04	Left rear pillar	SPCC2.0	1	
9	SIC-33A-R2-A-30	Fixed block folding plate for inlet and outlet water pipes	SPCC2.0	2	Borrowed
8	SIC-38W-R2-A-15	Fixed beam for inlet and outlet water pipes	SPCC3.0	1	
7	SIC-33A-R2-A-29-01	Fixed welding blocks for inlet and outlet water pipes	SPCC3.0	2	Borrowed
6	SIC-38W-R2-A-03	Right rear pillar	SPCC2.0	1	
5	YW03000300200	Black rubber wheel 3 inches/fixable	Assembly	2	
4	BL08102100020	Triangle plate (right) SIC-004	SPCC2.0	4	
3	YE9004.8501200	Communication interface board RS-485	Assembly	1	
2	YW62051000100	Large cross socket flat head screw M5x10	4.8	6	
1	BL08112000020	Triangle plate (left) SIC-003	SPCC2.0	4	

序号	代号	名称	材质	数量	备注
		标题 SIC-38W-R2 机架组合		比例 1:17	数量 1
		图号 SIC-38W-R2-A-ALL		材质 Assembly	
		SHINI 信易电热机械股份有限公司 Shini Plastics Technologies, Inc.	表面要求	/	
			物料号	/	

				制图		版号	C
				设计		核准	
				校对		日期	20190301
①	无	新增		20230912			
标记	更改前	更改后	更改人	日期	审核	日期	20190301



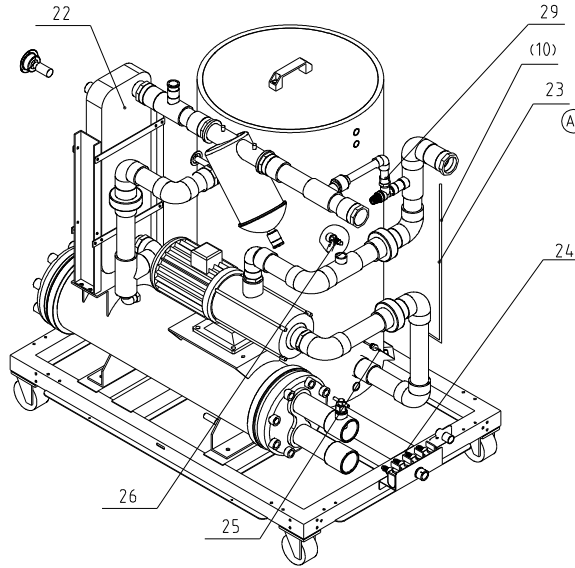
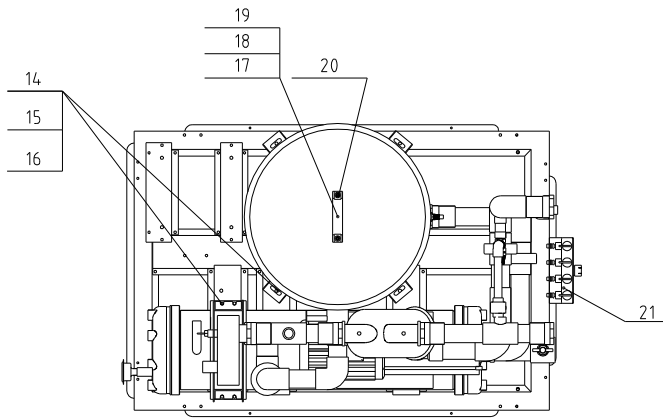
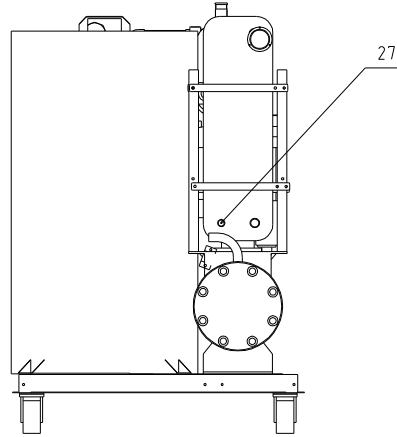
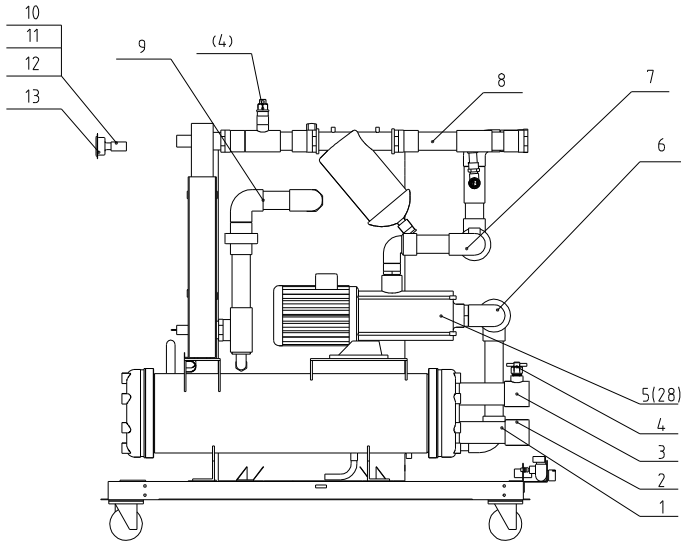
23	YW60082000200	Hexagon bolt M8x20	8.8	4	
22	YW66081600000	Flat gasket (8.4×16×1.6)	14.0HV	8	
21	YW65008000100	Spring washer GB/T93.8	65Mn	8	
20	YW60084.000100	Hexagon bolt M8x4.0	4.8	4	
19	SIC-38W-R2-C-07	Expansion valve outlet pipe	TP2M	1	
18	YW85712500000	Expansion valve BAE7-1/2	Assembly	1	
17	YW85001500100	Sight glass HMI-1TTS	Assembly	1	Option
16	SIC-38W-R2-C-06	Filter outlet pipe	TP2M	1	
15	YW590014.00600	Copper 3-way 1/4"	TP2	2	
14	YW850104.00300	Top needle valve for liquid addition	Assembly	6	
13	YS30063500000	Quick connector connecting pipe	TP2M	0.2m	
12	YE90207506800	Liquid pipe solenoid valve	Assembly	1	Option
11	YW020004.000000	Steel wire hose 4"	Assembly	1	
10	SIC-38W-R2-C-05	Filter inlet pipe	TP2M	1	
9	YE9004.24.02100	Hot-air by pass valve FDF-4	Assembly	1	
8	SIC-38W-R2-C-08	Bypass valve air outlet pipe	TP2M	1	
7	YW85016500100	Dry filter EK165S	Assembly	1	
6	SIC-38W-R2-C-02	Condenser	Assembly	1	
5	YS30063500000	Expansion valve equalizing tube	TP2M	0.4m	
4	SIC-38W-R2-C-03	Return air pipe	TP2M	1	
3	SIC-38W-R2-C-01	Plate evaporator	Assembly	1	
2	SIC-38W-R2-C-04	Air exhaust pipe	TP2M	1	
1	YM70012201600	Compressor	Assembly	1	

序号	代号	名称	材质	数量	备注

					制图	版号	C	标题	SIC-38W-R2	图号	SIC-38W-R2-C-ALL	比例	1:15	数量	1
					设计	核准			冷媒系统						
Ⓢ		见本图		20230306	校对										
标记	更改前	更改后	更改人	日期	审核	日期	20190301								



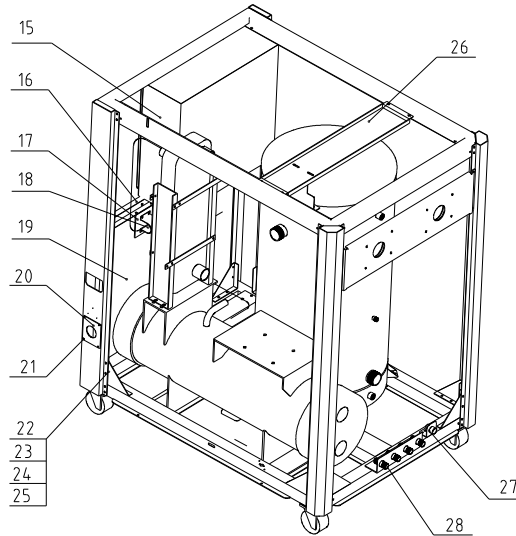
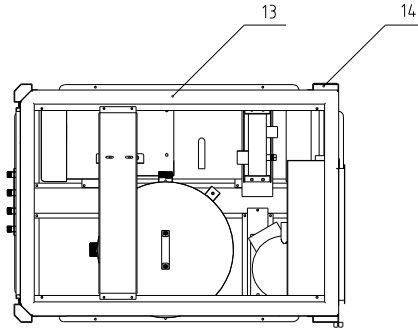
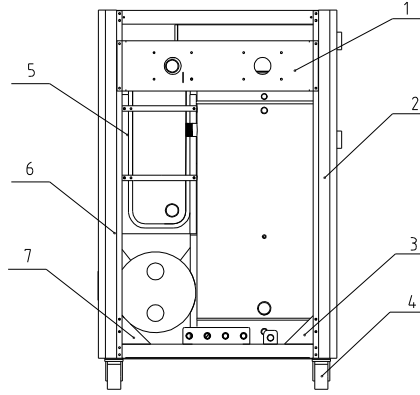
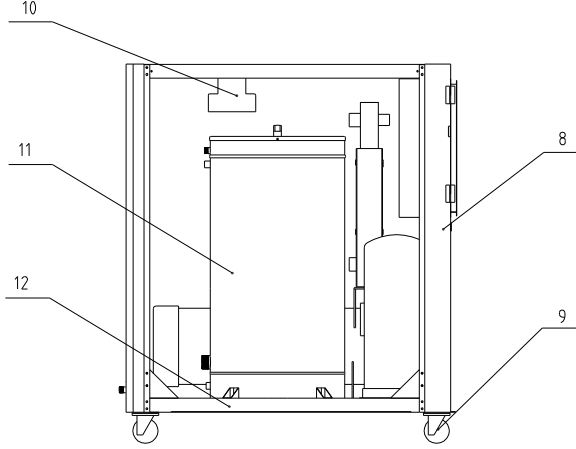
表面要求	/
物料号	/



29	SIC-38W-R2-B-07	Water outlet pipe bypass combination	Assembly	1	Borrowed
28	YM2184.03004.00	Nanyuan water pump SHF8-4.0	Structure parts	1	High voltage usage
27	YE900014.00700	Anti-freeze temperature sensing line 4x286, 1/4" PT	Structure parts	1	
26	YE900016.00000	Side mounted plastic duckbill type liquid level switch M16	Structure parts	1	Option
25	YE907110.00000	Water temperature probe 47x110mm, 1/2" PT	Assembly	1	
24	YR600510.00000	Steel wire hose 1/2"	Assembly	2m	
23	YR900000.22000	Air conditioning black tie	Structure parts	4	
22	YW873801.00000	Plate evaporator HBL95B-18D	Assembly	1	
21	YW5034.4.100100	3-gauge inlet and outlet four-way valve 1/2 inch	Assembly	1	
20	YW61062.000000	Internal hexagonal screw M6x20	HW	2	
19	SIC-38W-R2-B-08	Water tank cover	Assembly	1	Borrowed
18	SIC-38W-R2-B-07	Water tank	Assembly	1	Borrowed
17	BW20012.00004.0	Aluminum square handle	Assembly	1	
16	YW60082.000200	Hex bolt M6x20		8.8	12
15	YW660816.000000	Flat gasket (8.4x16x16)		14.0HV	12
14	YW650080.00100	Spring washer GB/T93.8		65Mn	12
13	YW850010.00100	pressure gage 0-10KG	Assembly	1	
12	BH120607.01710	1/4" PT to 1/4" H connector	H58	1	
11	YW800614.00200	L-shaped threaded joint APL6	Assembly	3	
10	YR6062.0000100	Air pipe		1m	
9	SIC-38W-R2-B-03	plate exchange water outlet pipe combination	Assembly	1	Borrowed
8	SIC-38W-R2-B-01	Plate exchange inlet pipe combination	Assembly	1	Borrowed
7	SIC-38W-R2-P-B-02	Combination of water pump outlet pipe	Assembly	1	
6	SIC-38W-R2-P-B-01	Combination of water pump inlet pipe	Assembly	1	
5	YM218303.00200	Nanyuan water pump SHF8-30	Assembly	1	Medium voltage usage
4	YW8504.3600000	Flow switch	Assembly	1	
3	YW520234.01300	galvanized water pipe three-way 2"X3/4"	Q235A	1	
2	YW510002.000000	galvanized water pipe with straight internal teeth 2"	Q235A	1	
1	SIC-38W-R2-B-08	Condensing inlet and outlet pipes	Q235A	2	Borrowed

序号	代号	名称	材质	数量	备注
		标题 SIC-38W-R2-P	图号 SIC-38W-R2-P-B-ALL	比例 1:13	数量 1
		水系统		材质 Assembly	
(A1)	YW50001200300	YW5034.4.100100		表面要求	/
标记	更改前	更改后	更改人	日期	审核
				日期	20230327

SHINI 信易电热机械股份有限公司
Shini Plastics Technologies, Inc.



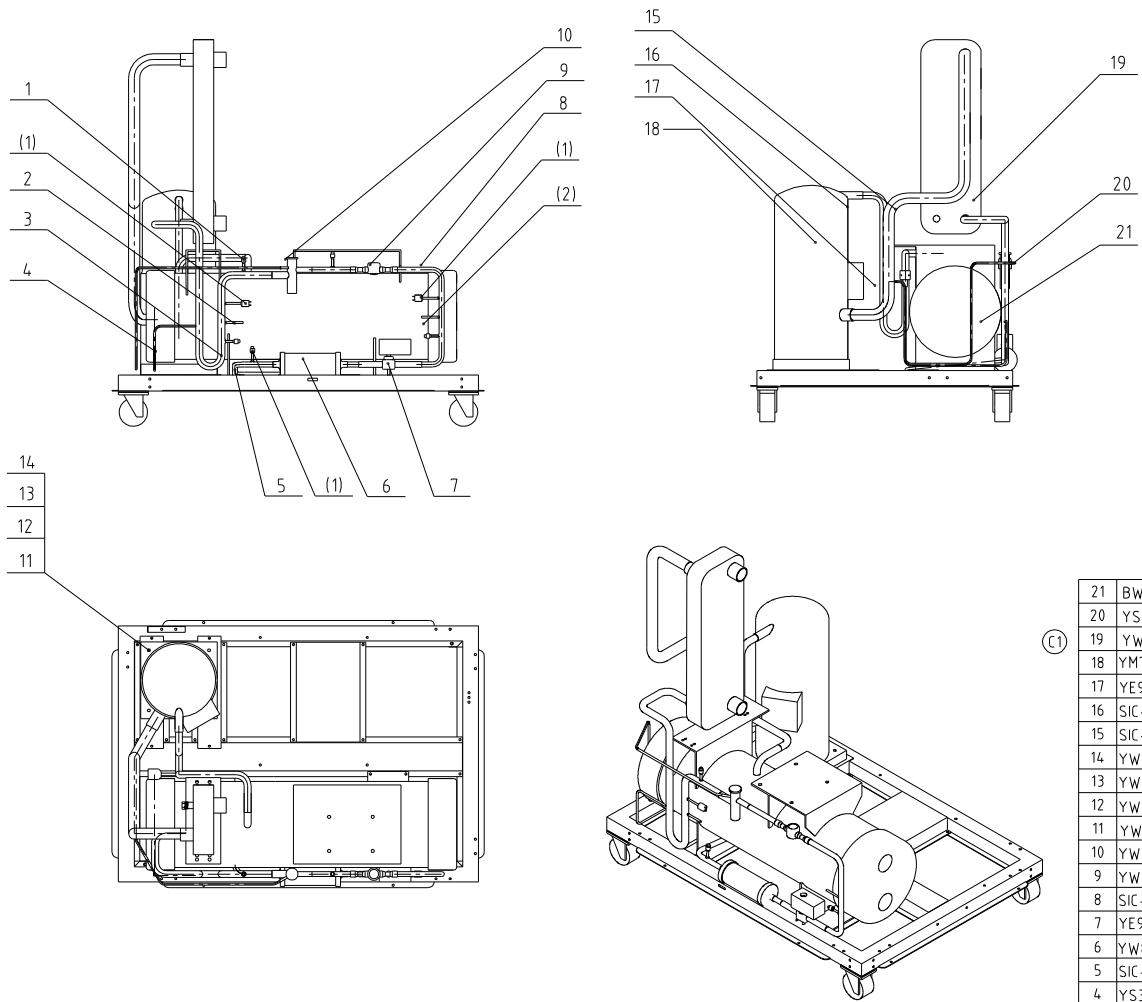
28	SIC-33A-R2-A-38	Drainage fixed plate combination	H58	1	Borrowed
27	SIC-33A-R2-A-39	Water pipe fixing plate	SPCC2.0	1	Borrowed
26	SIC-56W-R2-A-17	Filter fixing crossbeam	SPCC2.0	1	
25	YW66061300000	Flat washer A gradeGB/T97.1 6-Longzine	14.0HV	150	
24	YW65006000100	Standard spring washer GB/T93 6-Longzine	65Mn	120	
23	YW64006003000	Hexagon nut GB/T6170 M6-Longzine	5.0	120	
22	YW60062000100	Hex bolt M6×20-12.9-Longzine	4.8	120	
21	YW67481900000	Cross socket head tapping screw M4.8×15	4.8	20	
20	BL02010000020	Wire clamp fixing plate M32	SPCC2.0	1	
19	SIC-57W-R2-A-01	Meter plate	SPCC15	1	
18	SIC-57W-R2-A-20	Copper tube fixing plate	SPCC3.0	1	
17	SIC-57W-R2-A-21	Fixing clip for return air pipe	SPCC1.0	1	
16	SIC-57W-R2-A-08	Front middle crossbeam	SPCC3.0	1	
15	SIC-57W-R2-A-06	Control box	SPCC15	1	
14	SIC-57W-R2-A-03	Right front pillar	SPCC2.0	1	
13	SIC-57W-R2-A-10	Top frame	SPCC2.0	1	
12	SIC-57W-R2-A-ALL-01	Bottom frame combination	Assembly	1	
11	SIC-57W-R2-B-07	Water tank body	SPCC2.0	1	
10	SIC-57W-R2-A-20	Filter fixing block	SPCC2.0	1	
9	YW03000300000	Brake black rubber wheel 3"PP	SPCC2.0	2	
8	SIC-57W-R2-A-02	Left front pillar	SPCC2.0	1	
7	BL08102100020	Triangle plate (right) SIC-004	SPCC2.0	4	
6	SIC-57W-R2-A-05	Right rear pillar	SPCC2.0	1	
5	SIC-57W-R2-A-18	Plate replacement fixing bracket	SPCC3.0	2	
4	YW03000300200	Activity black rubber wheel 3"PP	Assembly	2	
3	BL08112000020	Triangle plate (left) SIC-003	SPCC2.0	4	
2	SIC-57W-R2-A-04	Left rear pillar	SPCC2.0	1	
1	SIC-57W-R2-A-21	Fixed beam for inlet and outlet water pipes	SPCC3.0	1	

序号	代号	名称	材质	数量	备注
		标题 SIC-57W-R2 机架组合	图号 SIC-57W-R2-A-ALL	比例 1:17	数量 1
				表面要求	材质 Assembly
				物料号	/

制图	设计	校核	制图	日期	审核	日期
黄志璠	20230915					

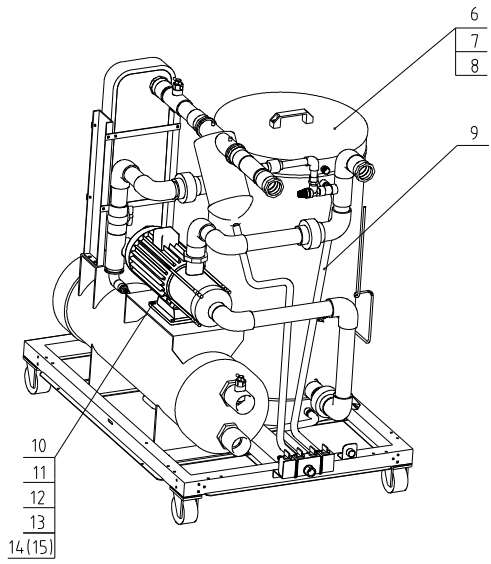
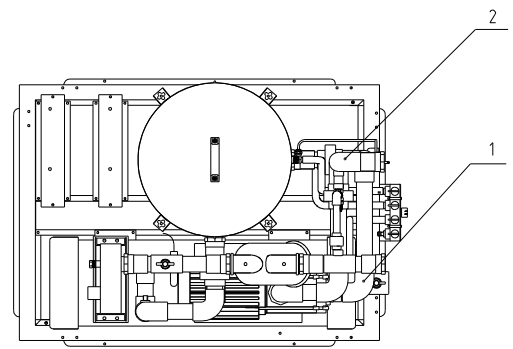
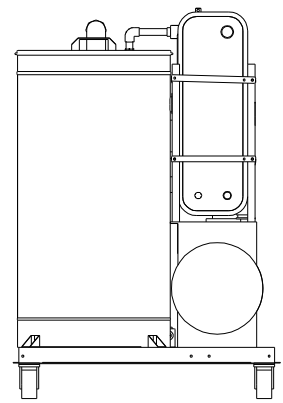
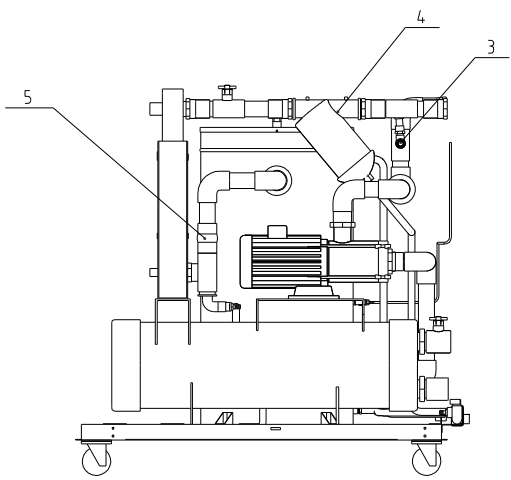
版号	更改前	更改后	更改人	日期	日期
C					20190301





21	BW86005300010	Condenser SIC-57W-R2-C-02	Assembly	1	
20	YS30063500000	Equalizing tube	Assembly	1	
19	YW87570108800	Plate exchange SIC-57W-R2-C-01	Assembly	1	
18	YM70018200000	Compressor ZP182KCE-TFD	Assembly	1	
17	YE90062402100	Hot-air by pass valve FDF-6A	Assembly	1	
16	SIC-57W-R2-C-03	Air exhaust pipe	TP2M	1	
15	SIC-57W-R2-C-04	Return air pipe	TP2M	1	
14	YW66061300000	Flat gasket A grade GB/T9718-Longzine	14.0HV	16	
13	YW65006000100	Standard spring washer GB/T938-Longzine	65Mn	16	
12	YW64080600000	Hexagon nut GB/T6170 M8-Longzine	5.0	16	
11	YW60084000100	Hexagon bolt M8×4.0-12.9-Longzine	4.8	16	
10	YW85165800000	Expansion valve TFES 16-ZAA 5/8×7/8	Assembly	1	
9	YW85001500100	Sight glass HMI-1TT5	Assembly	1	Option
8	SIC-57W-R2-C-06	Filter outlet pipe	Assembly	1	
7	YE90207506800	Liquid pipe solenoid valve	TP2M	1	Option
6	YW85030500100	Dry filter EK305S	Assembly	1	
5	SIC-57W-R2-C-05	Condenser discharge pipe	TP2M	1	
4	YS30063500000	Bypass valve air inlet pipe	TP2M	1	
3	SIC-57W-R2-C-07	Evaporator inlet pipe	TP2M	1	
2	YS30063500000	Quick connector connecting pipe	TP2M	1	
1	YW85010400300	Top needle valve for liquid addition	Assembly	4	

					制图	版号	C	标题	SIC-57W-R2	图号	SIC-57W-R2-C-ALL	比例	1:15	数量	1	备注
					设计	核准			冷媒系统							
(C1)	YW87560100000	YW87570108800	黄志璠	20230530	校对											
标记	更改前	更改后	更改人	日期	审核	日期	20190808									
SHINI 信易电热机械股份有限公司 Shini Plastics Technologies, Inc.												表面要求	/			
												物料号	/			



15	YM21123001500	Nanyuan water pump SHF12-30	Assembly	1	High voltage usage
14	YM21122000150	Nanyuan water pump SHF12-20	Assembly	1	Medium voltage usage
13	YW66061300000	Flat gasket A grade GB/T9718	14.0HV	8	
12	YW65006000100	Standard spring washer GB/T93	65Mn	8	
11	YW64080600000	Hex nut GB/T6170 M6	5.0	8	
10	YW60082500100	Hex bolt M6*25-12.9	4.8	8	
9	YR60051000000	Steel wire hose 1/2"		5M	
8	BW20012000040	Square aluminum handle	Assembly	1	
7	SIC-33A-R2-B-08	Water tank cover	SUS201	1	Borrowed
6	SIC-57W-R2-B-07	Water tank	Assembly	1	Borrowed
5	SIC-57W-R2-B-03	Evaporator water outlet pipe combination	Assembly	1	Borrowed
4	SIC-57W-R2-B-02	Combination of return water pipes	Assembly	1	Borrowed
3	SIC-57W-R2-B-08	Water outlet pipe bypass combination	Assembly	1	Borrowed
2	SIC-57W-R2-P-B-03	Water outlet pipe combination	Assembly	1	
1	SIC-57W-R2-P-B-02	Combination of water pump suction pipe	Assembly	1	

制图		版号	A
设计		核准	
校对		日期	20230620
标记	更改前	更改后	更改人
		日期	20230620

标题	SIC-57W-R2-P	图号	SIC-57W-R2-P-B-ALL
水系统			
比例	1:15	数量	1
表面要求	/		
物料号	/		

