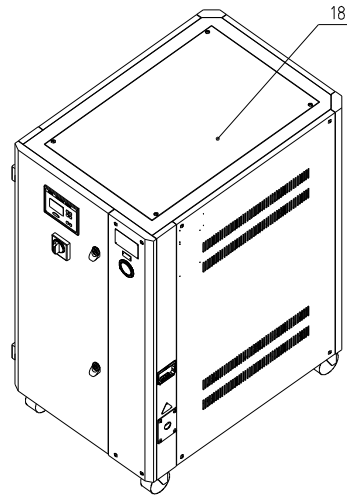
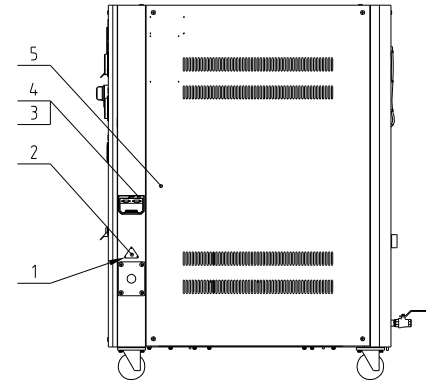
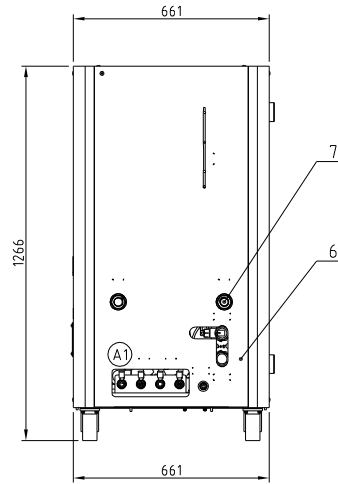
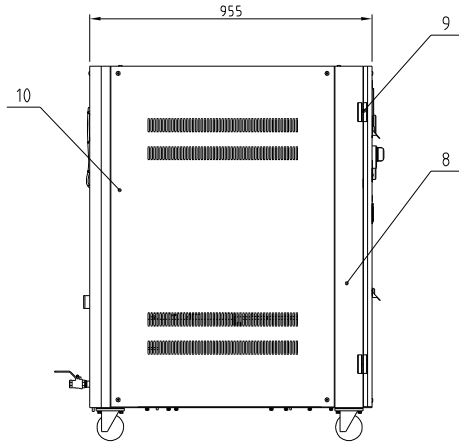
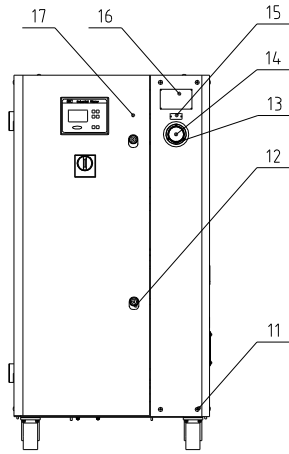
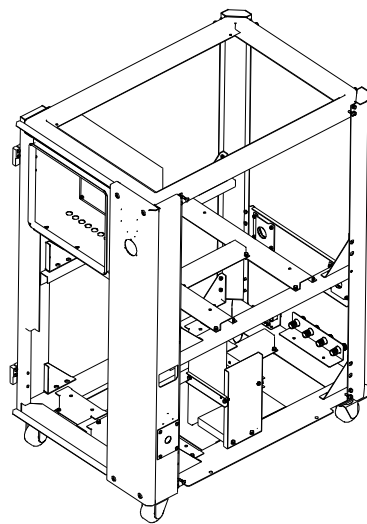
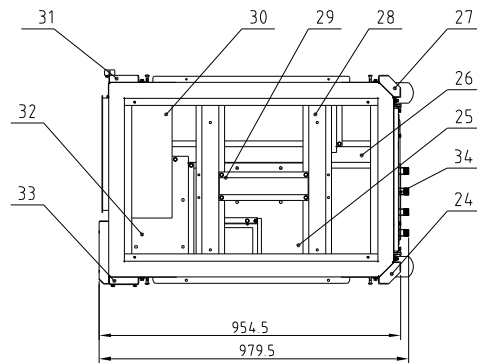
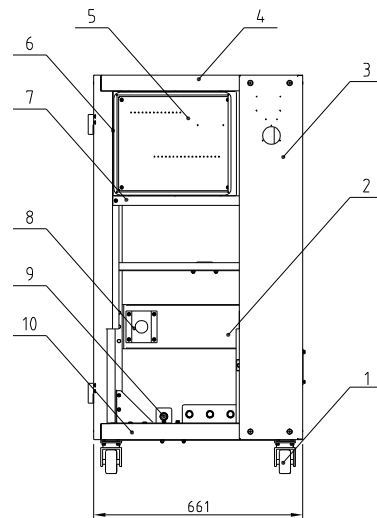
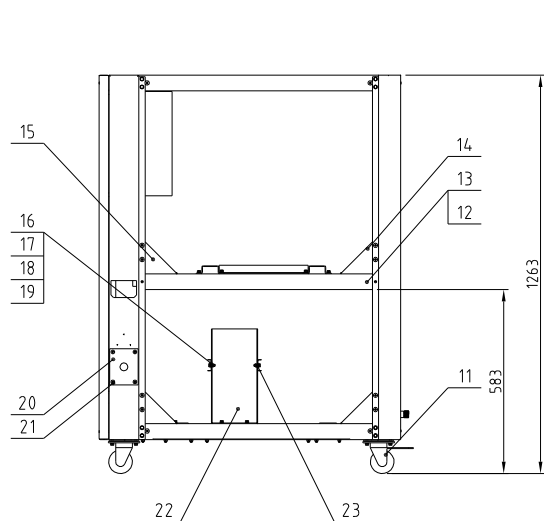


Cooling Capacity (outlet temperature 75℉/15W)	Cooling Capacity (outlet temperature 19℉/10W)	Cooling Capacity (outlet temperature 15℉/10W)	Total power (middle/high pressure)	Cooling water inlet (inch)	Cooling water outlet (inch)	Chilled water inlet (inch)	Chilled water outlet (inch)	Drain port (inch)	Water tank refill port (inch)	Cooling water flow (L/min)	Chilled water flow (L/min)	Water tank capacity (L)	Weight (kg)	Ver
16kw	17kw	20kw	6.3/6.7kw	Rc1.5	Rc1.5	Rc1	Rc1	Rc1/2	Rc1/2	70.1	56	80	250	A



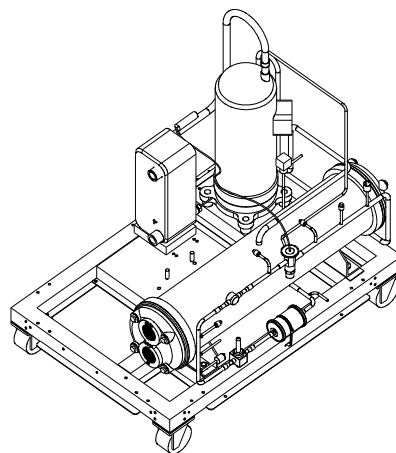
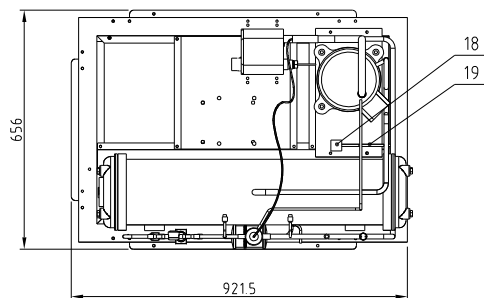
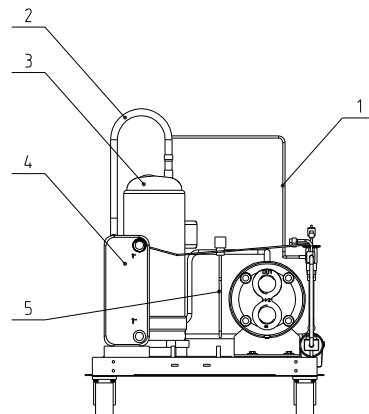
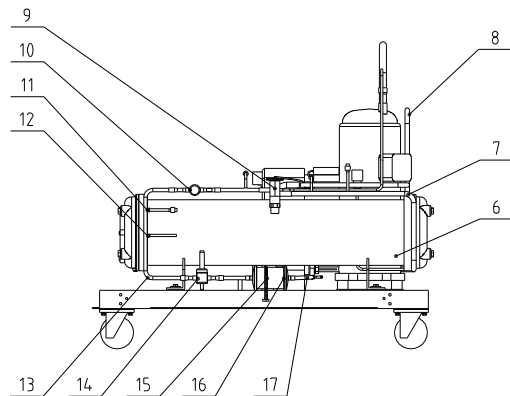
18	SIC-17W-R2-ALL-05	Top plate	SPCC1.5	1	Borrowed
17	SIC-17W-R2-ALL-01	Front door plank	SPCC1.5	1	Borrowed
16	YP30804900700	Aluminum plate nameplate 80 × 49	2024	1	
15	YP30425000000	Pump pressure gauge (aluminum plate label)	2024	1	
14	YW85001000100	Water pressure gauge 0-10KG	2024	1	
13	SIC-17W-R2-P-C-ALL-02	Refrigerant system (400V)	Assembly	1	
12	YW00816100000	Door lock (MS816-1 blk. with key)	Assembly	1	
11	YW62063500000	Large cross socket flat head screw JS1111 M6x35	2024	18	
10	SIC-17W-R2-ALL-02	Left side plate	SPCC1.5	1	Borrowed
9	YW062031004.00	Hinge left	Assembly	2	
8	SIC-17W-R2-A-ALL	Rack	Assembly	1	Borrowed
7	SIC-17W-R2-P-B-ALL-02	Water system (400V)	Assembly	1	
6	SIC-17W-R2-ALL-04	Rear plate	SPCC1.5	1	Borrowed
5	SIC-17W-R2-ALL-03	Right side plate	SPCC1.5	1	Borrowed
4	YR40048500000	Shell RS485	Assembly	1	
3	YE90048501200	Communication interface board RS-485	Assembly	1	
2	YP31051650000	Triangle power supply 3-phase 400V	2024	1	
1	YW69020500000	Rivet GB/T 827 2x5		18	

				制图	版号		A	标题	SIC-17W-R2-P	图号	SIC-17W-R2-P-ALL-02	比例	1:16	数量	1	
				设计	核准			总装图(400V)				表面要求		材质		Assembly
(A1)	外购件	自制件		20231009	校对			SHINI 信易电热机械股份有限公司 Shini Plastics Technologies, Inc.		表面要求		物料号		/		
标记	更改前	更改后	更改人	日期	审核	日期	20230823									



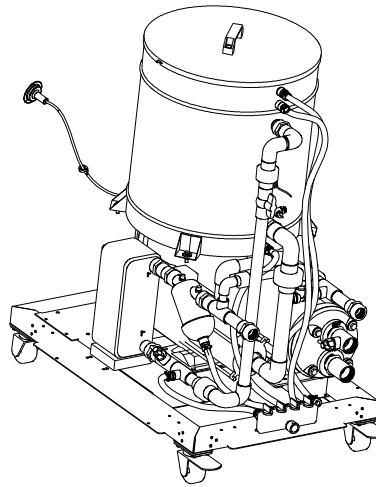
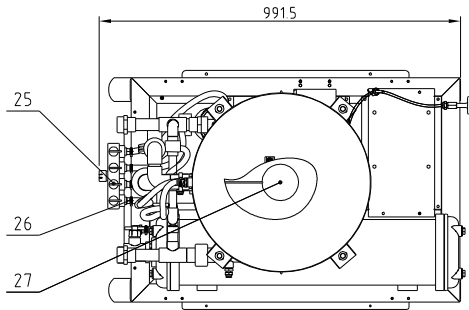
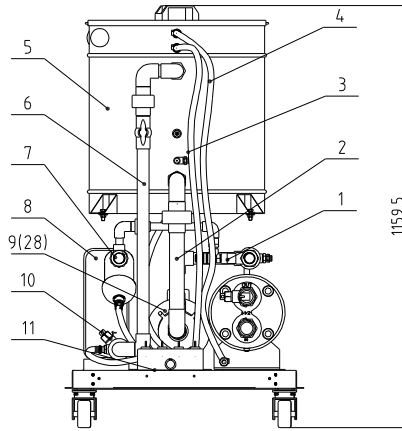
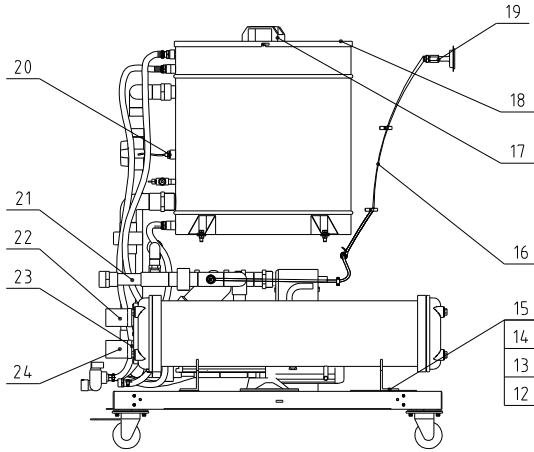
34	SIC-33A-R2-A-38	Drainage fixed plate combination	SPCC2.0	1	Borrowed
33	SIC-17W-R2-A-03	Right front pillar	SPCC2.0	1	
32	SIC-17W-R2-A-19	Compressor base plate	SPCC2.0	1	
31	SIC-17W-R2-A-02	Left front pillar	SPCC2.0	1	
30	SIC-17W-R2-A-18	Condenser support beam	SPCC2.0	2	
29	SIC-17W-R2-A-14	Water tank support beam 2	SPCC2.0	1	
28	SIC-17W-R2-A-13	Water tank support beam 1	SPCC2.0	2	
27	SIC-17W-R2-A-04	Left rear pillar	SPCC2.0	1	
26	SIC-17W-R2-A-17	Bottom middle crossbeam	SPCC2.0	1	
25	SIC-17W-R2-A-20	Water pump bottom plate	SPCC2.0	1	
24	SIC-17W-R2-A-05	Right rear pillar	SPCC2.0	1	
23	SIC-17W-R2-A-22	Plate replacement fixing bracket 2	SPCC2.0	2	
22	SIC-17W-R2-A-21	Plate replacement fixing bracket 1	SPCC2.0	2	
21	YW62051000100	Large cross socket flat head screw JIS111 M5x10	4.8	12	
20	BL50160000120	Wire clamp fixed plate	SPCC2.0	1	
19	YW60062000100	Hex bolt GB/T5781 M6x20	4.8	124	
18	YW65006000100	Standard spring washer GB/T93.6	Mn65	124	
17	YW66061300000	Flat washer A grade GB/T97.16	14.0hv	150	
16	YW64006003000	Hexagon nut GB/T6170 M6	5.0	164	
15	BL08112000020	Triangle plate (left) SIC-003	SPCC2.0	5	
14	BL08102100020	Triangle plate (right) SIC-004	SPCC2.0	5	
13	SIC-17W-R2-A-11	Left middle crossbeam	SPCC2.0	1	
12	SIC-17W-R2-A-12	Right middle crossbeam	SPCC2.0	1	
11	YW03000300000	Brake black rubber wheel 3-PP	SPCC2.0	2	
10	SIC-17W-R2-A-09	Bottom frame	SPCC2.0	1	
9	SIC-33A-R2-A-39	Fixed plate for water refilling pipe	SPCC2.0	1	Borrowed
8	SIC-17W-R2-A-16	Fixed plate for inlet and outlet water pipes	SPCC2.0	2	
7	SIC-17W-R2-A-08	Front middle crossbeam	SPCC2.0	1	
6	SIC-17W-R2-A-06	Control box	SPCC2.0	1	
5	SIC-17W-R2-A-07	Electrical base plate	SECC15	1	
4	SIC-17W-R2-A-10	Top frame	SPCC2.0	1	
3	SIC-17W-R2-A-01	Meter plate	SPCC2.0	1	
2	SIC-17W-R2-A-15	Fixed crossbeam for inlet and outlet water pipes	SPCC2.0	1	
1	YW03000300200	Activity black rubber wheel 3-PP	Assembly	2	

序号	代号		名称		材质	数量	备注
②	998	979.5	20230919	制图			
①	无	新增	20230919	设计			
标记	更改前	更改后	更改人	日期	审核	日期	20190815
				版号	D	标题	SIC-17W-R2 机架
				核准		图号	SIC-17W-R2-A-ALL
				日期	20190815	 信易电热机械股份有限公司 Shini Plastics Technologies, Inc.	
						比例	1:15
						数量	1
						材质	Assembly
						表面要求	/
						物料号	/



19	SIC-17W-R2-C-09	bypass valve pipe 2	TP2M	1	
18	YE900324.02100	Bypass solenoid valve FDF-3A	Assembly	1	
17	SIC-17W-R2-C-07	Liquid pipe 3	TP2M	1	
16	YW85016530100	Dry filter	Assembly	1	
15	YW020004.00000	Steel wire hose 4"	Assembly	1	
14	YE32200305600	Liquid pipe solenoid valve	Assembly	1	Option
13	SIC-17W-R2-C-05	Liquid pipe 1	TP2M	1	
12	SIC-17W-R2-C-11	Copper pipe connector	TP2M	1	
11	YW850104.00300	Top needle valve for liquid addition	Assembly	4	
10	YW85001300100	Sight glass HMI-1TT3	Assembly	1	Option
9	YW85413800000	Expansion valve BAE4-1/2	Assembly	1	
8	SIC-17W-R2-C-04	Air exhaust pipe	TP2M	1	
7	SIC-17W-R2-C-06	Liquid pipe 2	TP2M	1	
6	SIC-17W-R2-C-02	Condenser	Assembly	1	
5	SIC-17W-R2-C-08	bypass valve pipe 1	TP2M	1	
4	SIC-17W-R2-C-01	Plate evaporator	Assembly	1	
3	YM70504.9000000	Compressor E504DH	Assembly	1	400V60Hz
2	SIC-17W-R2-C-03	Return air pipe	TP2M	1	
1	SIC-17W-R2-C-10	Equalizer line	TP2M	1	

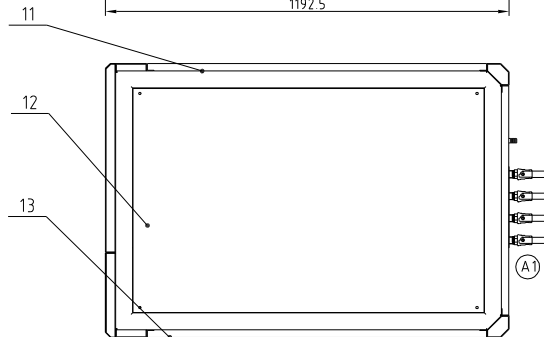
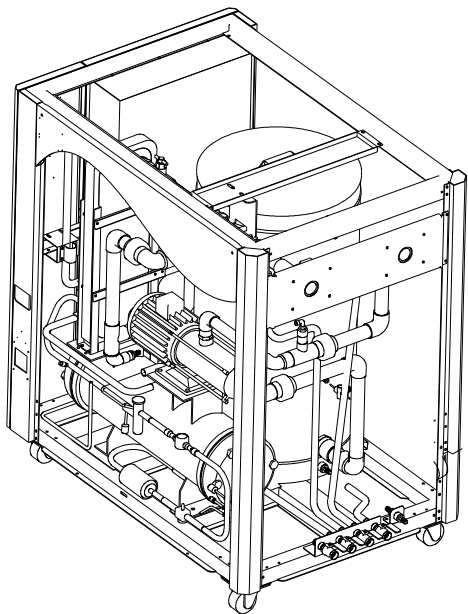
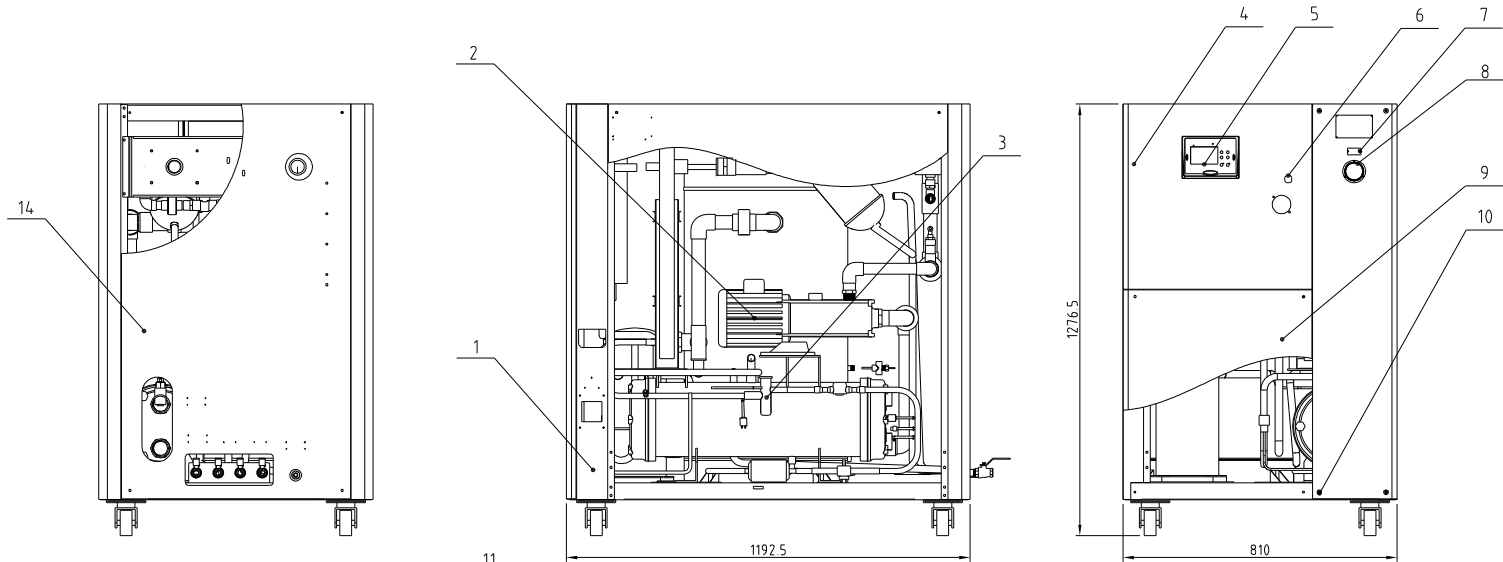
制图	版号	0	标题	SIC-17W-R2-P	图号	SIC-17W-R2-P-C-ALL-02	比例	1:13	数量	1	备注	
设计	核准		标题	冷媒系统(400V)	图号	SIC-17W-R2-P-C-ALL-02	材料	材质	Assembly			
校对	核准		物料号				表面要求		/			
标记	更改前	更改后	更改人	日期	审核	日期	20230823	SHINI 信易电热机械股份有限公司 Shini Plastics Technologies, Inc.		物料号	/	



28	YM214.40300800	Nanyuan water pump SHF4-40	Assembly	1	High voltage usage
27	YW59010200000	Ball switch 1/2"	Assembly	1	
26	YW02182900000	Stainless steel clamp (18-29)	Assembly	8	
25	YW50001200300	Four in one ball valve collector 1/2"	Assembly	1	
24	YW500015014.00	Galvanized internal thread straight through 1-1/2"	Q235A	1	
23	YW50001500100	Internal connection of water pipe 1-1/2" (external teeth)	Q235A	2	
22	YW59010200000	Galvanized water pipe three-way 1-1/2"X3/4"	Q235A	1	
21	SIC-17W-R2-B-05	Water outlet pipe combination	Assembly	1	Borrowed
20	YE90001600000	Duck billed liquid level switch 1/2"	Assembly	1	Option
19	YW85001000100	Water pressure gauge	Assembly	1	
18	BW2001200004.0	Square aluminum handle 120L	Assembly	1	
17	SIC-17W-R2-B-08	Water tank cover	Assembly	1	Borrowed
16	YR60620000100	Transparent air pipe (200/m/roll)	Assembly	2M	
15	YW60082500100	Hex bolt GB/T5783 M8*25		8	
14	YW65008000100	Standard spring washer GB/T93.8	Mn65	8	
13	YW66082200100	Large washer C grade GB/T96.8	14.0Hv	16	
12	YW64080600000	Hex nut GB/T6170 M8	5.0	8	
11	YW02000400000	Stainless steel clamp 4"	Assembly	2	
10	YW85043600000	Flow switch SEN-BP43W	Assembly	2	
9	YM214.30300100	Nanyuan water pump SHF4-30	Assembly	1	Medium voltage usage
8	SIC-17W-R2-C-01	Plate evaporator	Assembly	1	Borrowed
7	SIC-17W-R2-B-02	Combination of return water pipes	PVC-U	1	Borrowed
6	SIC-17W-R2-B-03	plate exchange water outlet pipe combination	PVC-U	1	Borrowed
5	SIC-17W-R2-B-07	Water tank	PVC-U	1	Borrowed
4	SIC-17W-R2-B-06	Combination of water replenishment pipes	PVC-U	1	Borrowed
3	YR60051000000	Steel wire hose 1/2"	Assembly	3M	
2	SIC-17W-R2-P-B-02	Combination of water pump suction pipe	PVC-U	1	
1	SIC-17W-R2-B-08	Water outlet pipe bypass combination	Assembly	1	Borrowed

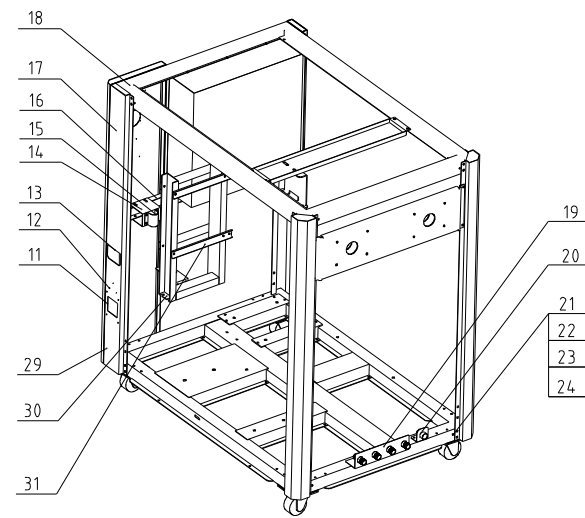
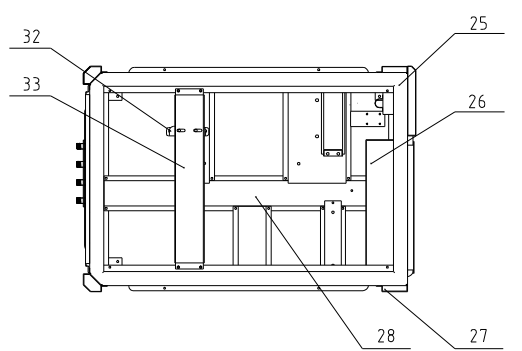
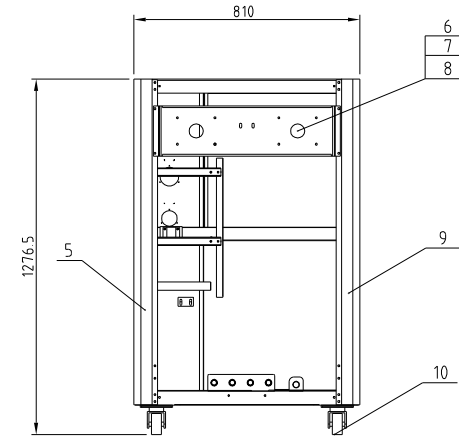
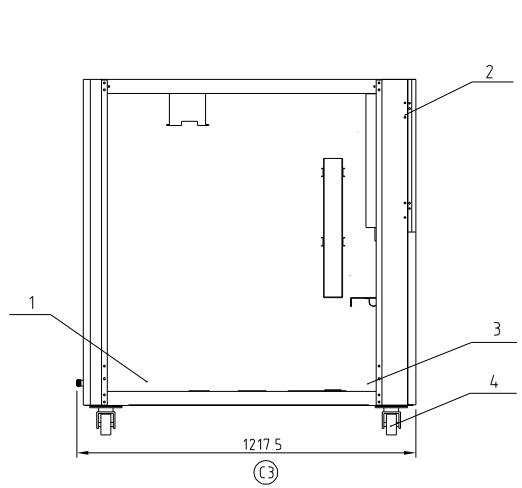
制图	版号	0	标题	SIC-17W-R2-P	图号	SIC-17W-R2-P-B-ALL-02	比例	1:13	数量	1	
设计	核准		水系统 (400V)				 材质 Assembly				
校对	审核		 SHINI 信易电热机械股份有限公司 Shini Plastics Technologies, Inc.				表面要求		/		
标记	更改前	更改后	更改人	日期	审核	日期	20230823	物料号	/		

Cooling Capacity (outlet temperature 70/50W)	Cooling Capacity (outlet temperature 10/50W)	Cooling Capacity (outlet temperature 15/50W)	Total power (middle/high pressure)	Cooling water inlet (inch)	Cooling water outlet (inch)	Chilled water inlet (inch)	Chilled water outlet (inch)	Drain port (inch)	Water tank refill port (inch)	Cooling water flow (L/min)	Chilled water flow (L/min)	Water tank capacity (L)	Weight (kg)	Ver.
28kw	31kw	33kw	9.02/9.72kw	Rc1.25	Rc1.25	Rc1.25	Rc1.25	Rc1/2	Rc1/2	120.5	95.6	150	330	A



14	SIC-38W-R2-ALL-04	Rear plate	SPCC15	1	Borrowed
13	SIC-38W-R2-ALL-03	Right side plate	SPCC15	1	Borrowed
12	SIC-38W-R2-ALL-05	Top plate	SPCC15	1	Borrowed
11	SIC-38W-R2-ALL-02	Left side plate	SPCC15	1	Borrowed
10	YW62063500000	Flat head screw M6x35	4.8	20	
9	SIC-38W-R2-ALL-06	Front lower door plank	SPCC15	1	Borrowed
8	YW63030600000	Cross socket screw M3x6	4.8	3	
7	YW69020500000	Rivet 2x5	4.8	13	
6	YW00816100000	Door lock	Assembly	1	
5	YE80317506700	Water chiller controller	Assembly	1	
4	SIC-38W-R2-ALL-01	Front upper door plank	SPCC15	1	Borrowed
3	SIC-29W-R2-P-C-ALL-02	Refrigerant system (400V)	Assembly	1	
2	SIC-29W-R2-P-B-ALL-02	Water system(400V)	Assembly	1	
1	SIC-29W-R2-A-ALL	Rack assembly	Assembly	1	Borrowed
序号	代号	名称	材质	数量	备注

					制图	版号	A	标题	SIC-29W-R2-P	图号	SIC-29W-R2-P-ALL-02	比例	1:14	数量	1
					设计	核准		总装图(400V)							
(A1)	外购件	自制件	黄志璐	20231008	校对	核准		SHINI 信易电热机械股份有限公司 Shini Plastics Technologies, Inc.	表面要求		/				
标记	更改前	更改后	更改人	日期	审核	日期	20230825		物料号		/				

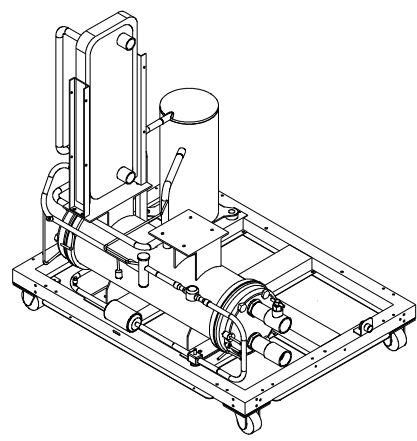
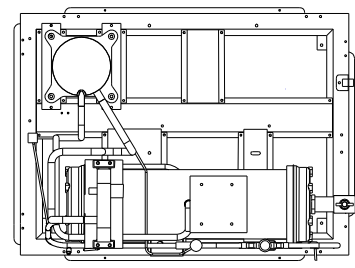
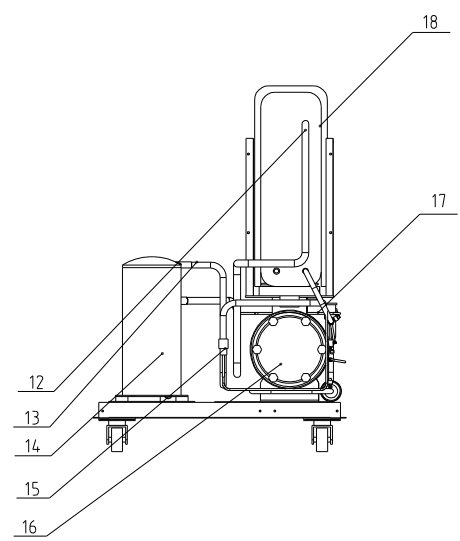
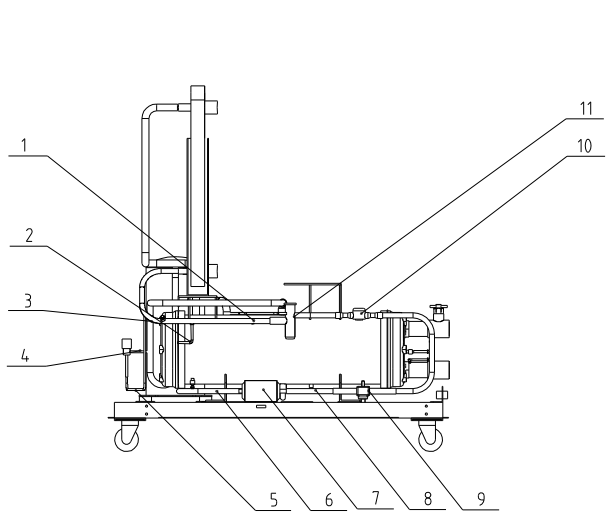


33	SIC-38W-R2-A-11	Filter fixing crossbeam	SPCC2.0	1	Borrowed
32	SIC-29W-R2-A-08	Filter fixing block	SPCC3.0	1	
31	SIC-33A-R2-A-18	Plate exchange fixed piece	SPCC2.0	4	Borrowed
30	SIC-33A-R2-A-17	Plate exchange fixing plate	SPCC3.0	2	Borrowed
29	YW62051000100	Large cross socket flat head screw M5x10	4.8	6	
28	SIC-29W-R2-A-ALL-01	Bottom frame combination	Assembly	1	
27	SIC-38W-R2-A-02	Left front pillar	SPCC2.0	1	Borrowed
26	SIC-38W-R2-A-06	Control box	SPCC2.0	1	Borrowed
25	SIC-38W-R2-A-01	Meter plate	SPCC2.0	1	Borrowed
24	YW64000600300	Hex nut M6	5.0	4.6	
23	YW65006000100	Spring washer GB/T93.6	65Mn	90	
22	YW66061300000	Flat washer A grade GB/T93.6	14.0HV	90	
21	YW60062000100	Hex bolt M6x20	4.8	90	
20	SIC-33A-R2-A-39	Fixed plate for water refilling pipe	SPCC2.0	1	Borrowed
19	SIC-33A-R2-A-38	Drainage fixed plate combination	SPCC2.0	1	Borrowed
18	SIC-38W-R2-A-10	Top frame	SPCC2.0	1	Borrowed
17	SIC-38W-R2-A-03	Right front pillar	SPCC2.0	1	Borrowed
16	SIC-38W-R2-A-08	Front middle crossbeam	SPCC3.0	1	Borrowed
15	SIC-29W-R2-A-07	Air pipe clamp	SPCC2.0	1	
14	SIC-29W-R2-A-08	Fixed clamp support for the return air pipe	SPCC2.0	1	
13	YE9004.8501200	Communication interface board RS-485	Assembly	1	
12	YP31051650000	Triangle power supply 3-phase 400V	Assembly	1	
11	SG-S-01	Wire clamp fixing plate M32	SPCC2.0	1	
10	YW03000300200	Black rubber wheel 3 inches/movable	Assembly	2	
9	SIC-38W-R2-A-04	Left rear pillar	SPCC2.0	1	Borrowed
8	SIC-29W-R2-A-03	Fixed block folding plate for inlet and outlet water pipes	SPCC2.0	2	Borrowed
7	SIC-29W-R2-A-04	Fixed beam for inlet and outlet water pipes	SPCC3.0	1	Borrowed
6	SIC-38W-R2-A-15-01	Fixed welding blocks for inlet and outlet water pipes	SPCC3.0	2	Borrowed
5	SIC-38W-R2-A-05	Right rear pillar	SPCC2.0	1	
4	YW03000300000	Black rubber wheel 3 inches/brake applied	Assembly	2	
3	BL08102100020	Triangle plate (right) SIC-004	SPCC2.0	4	
2	YW062031004.00	Hinge large (L203-1 (left))	Assembly	2	
1	BL08112000020	Triangle plate (left) SIC-003	SPCC2.0	4	Borrowed

③	1192.5	1217.5	20230921	制图	版号	C
②	无	新增	20230921	设计	核准	
①	分水器的固定板组合	fixed plate combination	20230921	校对	核准	
标记	更改前	更改后	更改人	日期	审核	日期 20190301

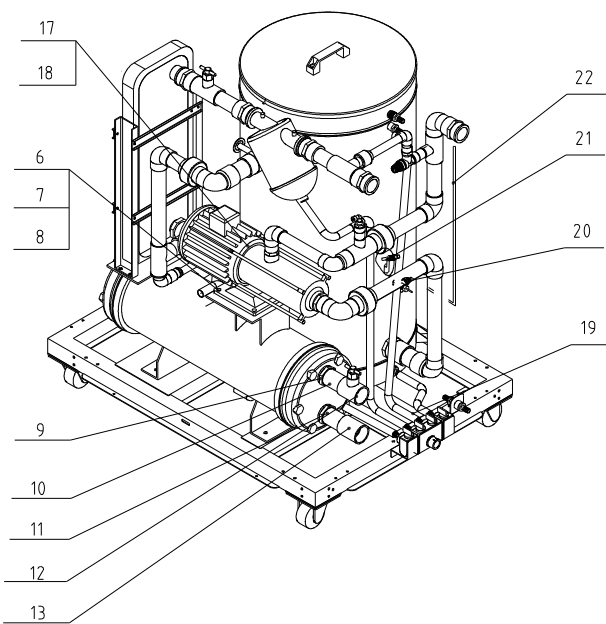
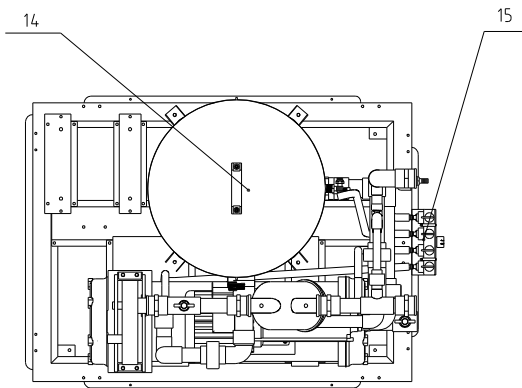
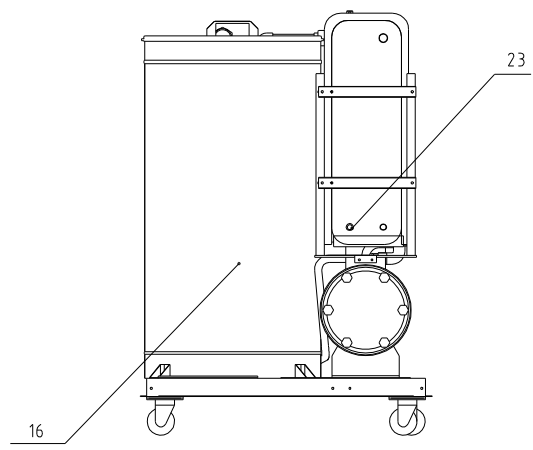
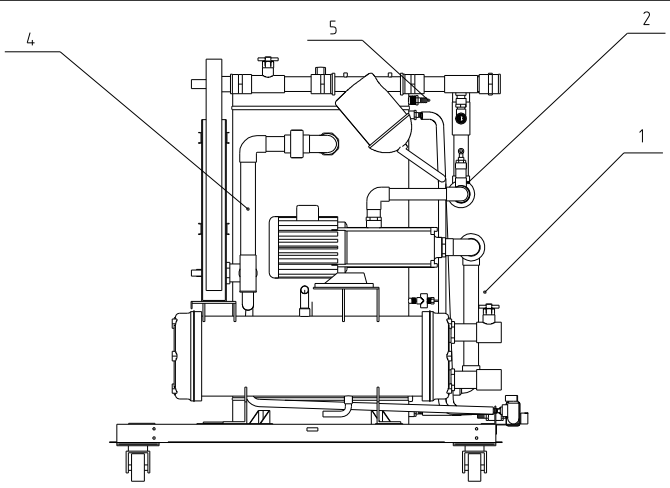
序号	代号	名称	材质	数量	备注
标题 SIC-29W-R2		图号 SIC-29W-R2-A-ALL			
机架组合					
比例 1:17		数量 1		材质 Assembly	
表面要求		/			
物料号		/			





18	SIC-28W-R2-C-01	Plate evaporator	Assembly	1	
17	YS30063500000	Equalizing tube	Assembly	1	
16	SIC-28W-R2-C-02	Condenser	Assembly	1	
15	YE90042402100	Hot-air by pass valve FDF-4A	Assembly	1	
14	YM70009000700	Compressor ZP91KCE-TFD	Assembly	1	400V60Hz
13	SIC-28W-R2-C-03	Air exhaust pipe	TP2M	1	
12	SIC-28W-R2-C-04	Return air pipe	TP2M	1	
11	YW85651200100	Expansion valve BAE6ZW1955FT	Assembly	1	
10	YW85001500100	Sight glass HMI-ITT5	Assembly	1	Option
9	YE90207506800	Liquid pipe solenoid valve 200RD7T5	Assembly	1	Option
8	SIC-29W-R2-C-06	Filter outlet pipe	TP2M	1	
7	YW85016500100	Dry filter EK 165S	Assembly	1	
6	SIC-28W-R2-C-05	Filter inlet pipe	TP2M	1	
5	YS30063500000	Bypass valve air outlet pipe	TP2M	1	
4	YS30063500000	Bypass valve air inlet pipe	TP2M	1	
3	SIC-29W-R2-C-07	Expansion valve outlet pipe	TP2M	1	
2	YS30063500000	Quick connector connecting pipe	TP2M	2	
1	YW85010400300	Top needle valve for liquid addition	Assembly	6	

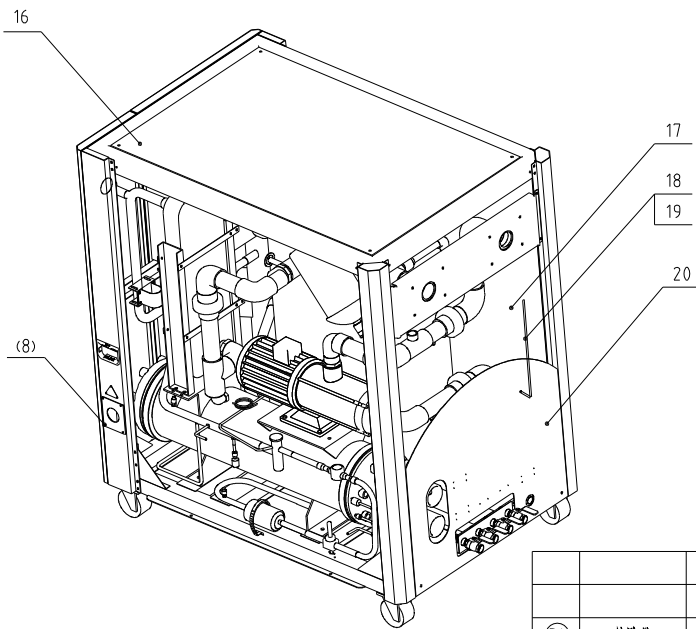
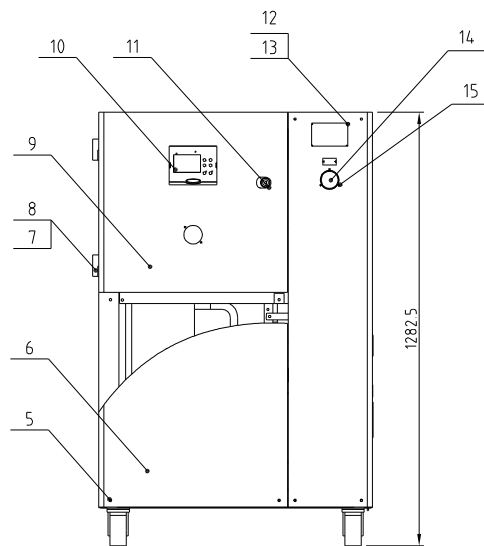
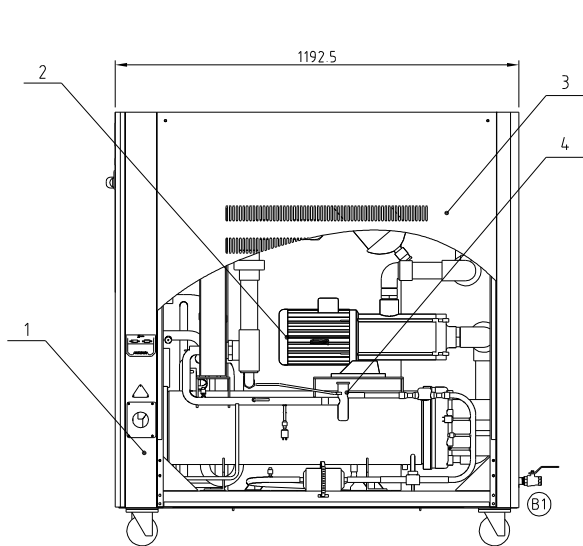
制图	版号	0	标题	SIC-29W-R2-P	图号	SIC-29W-R2-P-C-ALL-02	比例	1:15	数量	1
设计	核准		冷煤系统(400V)					材质	Assembly	
校对	核准			信易电热机械股份有限公司 Shini Plastics Technologies, Inc.			表面要求		/	
标记	更改前	更改后	更改人	日期	审核	日期	物料号		/	
						20230825				



23	YE900014.00700	Antifreeze temperature sensing lineΦX86. 1/4"PT	Structure parts	1	
22	YR90000022000	Air conditioning black tie	Structure parts	4	
21	YE90001600000	Duck billed liquid level switch 1/2"PT	Structure parts	1	Option
20	YE90711000000	Water Temperature probe Φ7x 110mm 1/8"PT	Structure parts	1	
19	YR60051000000	Steel wire hose 1/2"	Assembly	2m	
18	YM214.50300600	Nanyuan water pump SHF4-50	Assembly	1	High voltage usage
17	YM214.40300800	Nanyuan water pump SHF4-40	Assembly	1	Medium voltage usage
16	SIC-57W-R2-B-07	Water tank	Assembly	1	Borrowed
15	YW5034.4100100	Three size four-way valve 1/2 inch	Assembly	1	
14	BW20012000040	Aluminum square handle 120L (black)	Assembly	1	
13	YW51001500000	Water pipe straight 15" (inner thread)	Q235A	1	
12	YW521534.000000	water pipe three-way 15"×3/4"	Q235A	1	
11	SIC-29W-R2-B-06	Condenser water inlet pipe	Q235A	1	Borrowed
10	SIC-29W-R2-B-07	Condenser water outlet pipe	Q235A	1	Borrowed
9	YW57150200000	Galvanized water pipe joints 15"×2"	Q235A	2	
8	YW60082000200	Hex bolt M8x20	8.8	16	
7	YW660816000000	Flat gasket Φ8.4×16×1.6	14.0HV	16	
6	YW65008000100	Spring washer GB/T93.8		16	
5	SIC-29W-R2-B-08	Water outlet pipe bypass combination	Assembly	1	Borrowed
4	SIC-29W-R2-B-03	plate exchange water outlet pipe combination	Assembly	1	Borrowed
3	SIC-29W-R2-B-02	Plate exchange inlet pipe combination	Assembly	1	Borrowed
2	SIC-29W-R2-P-B-03	Combination of water pump outlet pipe	Assembly	1	
1	SIC-29W-R2-P-B-02	Combination of water pump inlet pipe	Assembly	1	

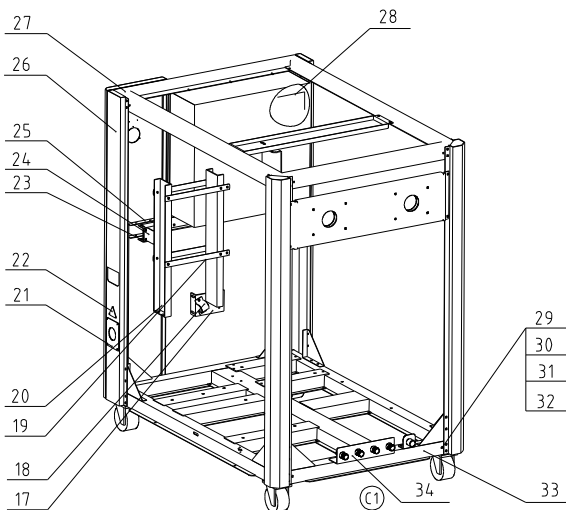
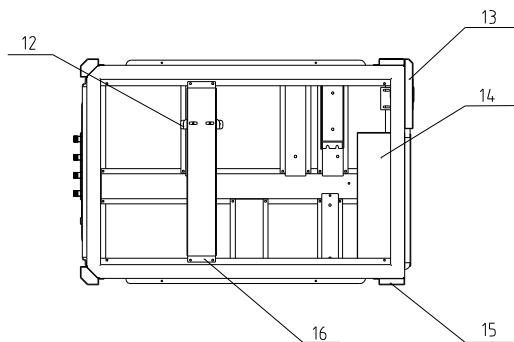
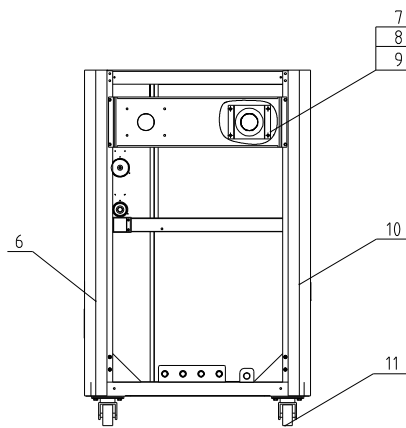
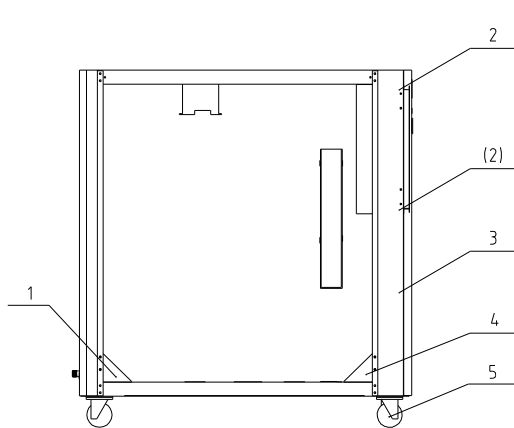
制图	版号	0	标题	SIC-29W-R2-P	图号	SIC-29W-R2-P-B-ALL-02	比例	1:13	数量	1
设计	核准		水系统 (400V)					材质	组合机	
校对	日期	20230825		信易电热机械股份有限公司 Shini Plastics Technologies, Inc.		表面要求	/	物料号	/	
标记	更改前	更改后	更改人	日期	审核	日期				

Cooling Capacity (outlet temperature 70/51W)	Cooling Capacity (outlet temperature 10/51W)	Cooling Capacity (outlet temperature 15/51W)	Total power (middle/high pressure)	Cooling water inlet (inch)	Cooling water outlet (inch)	Chilled water inlet (inch)	Chilled water outlet (inch)	Drain port (inch)	Water tank refill port (inch)	Cooling water flow (L/min)	Chilled water flow (L/min)	Water tank capacity (L)	Weight (kg)	Ver.
33kw	37kw	4.4kw	13.2/14kw	Rc2	Rc2	Rc1.5	Rc1.5	Rc1/2	Rc1/2	156.5	125.2	150	350	A



20	SIC-38W-R2-ALL-04	Rear plate	SPCC15	1	Borrowed
19	YR90000022000	Air conditioning cable ties		4	
18	YR60620000100	Transparent air pipe M6	Structural parts	3m	
17	SIC-38W-R2-ALL-02	Left side plate	SPCC15	1	Borrowed
16	SIC-38W-R2-ALL-05	Top plate	SPCC15	1	Borrowed
15	YW63030600000	Cross recessed pan head screw M3x6		4.8	3
14	YP30425000000	Pump pressure gauge	Assembly		1
13	YP30804900700	Machine nameplate	Assembly		1
12	YW69020500000	Rivet 2x5		4.8	21
11	YW00816100000	Door lock	SPCC15		1
10	YE80317501900	Water chiller controller	Assembly		1
9	SIC-38W-R2-ALL-01	Front upper door plank	SPCC15	1	Borrowed
8	YW62051000100	Large cross socket flat head screw M5x10		4.8	8
7	YW062031004.00	Large hinge (L203-11left)	Structural parts		2
6	SIC-38W-R2-ALL-06	Front lower door plank	SPCC15	1	Borrowed
5	YW62063500000	Flat head screw M6x35		4.8	12
4	SIC-38W-R2-P-C-ALL-02	Refrigerant system (400V)	Assembly		1
3	SIC-38W-R2-ALL-03	Right side plate	SPCC15	1	Borrowed
2	SIC-38W-R2-P-B-ALL-02	Water system (400V)	Assembly		1
1	SIC-38W-R2-A-ALL	Rack assembly	Assembly		1 Borrowed
序号	代号	名称	材质	数量	备注

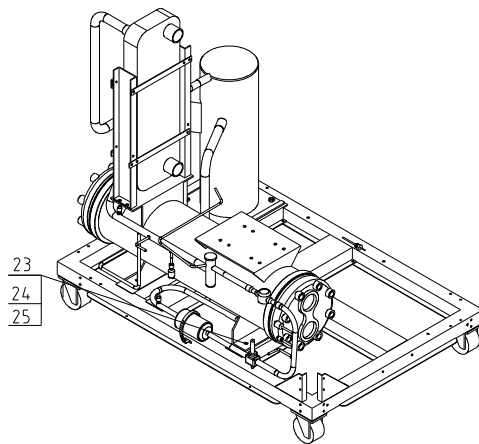
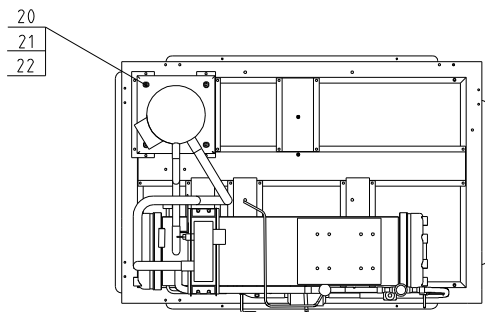
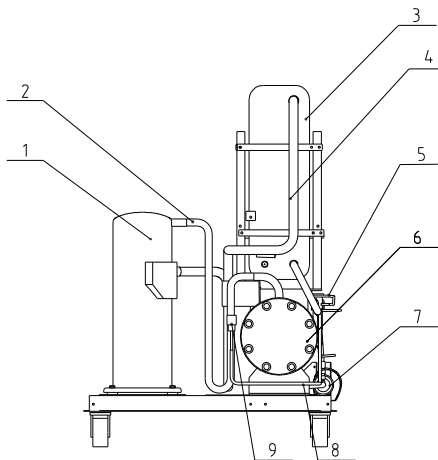
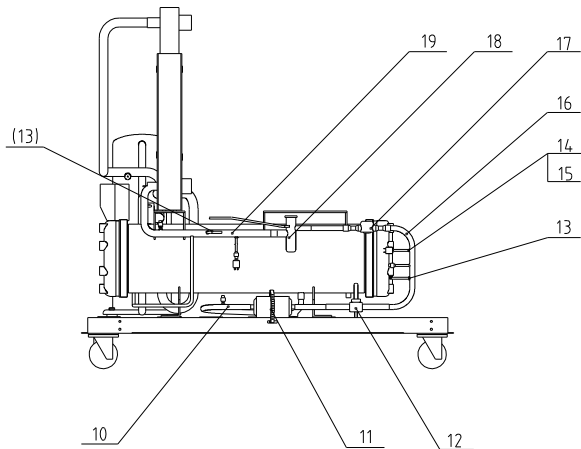
				制图		版号	B	标题	SIC-38W-R2-P	图号	SIC-38W-R2-P-ALL-02	比例	1:14	数量	1	
				设计		核准		总装图(400V)					材质	Assembly		
ⓑ1	外购件	自制件	20231008	校对		审核			信易电热机械股份有限公司 Shini Plastics Technologies, Inc.		表面要求	/				
标记	更改前	更改后	更改人	日期	审核	日期	20230614				物料号	/				



34	SIC-33A-R2-A-38	Drainage fixed plate combination	SPCC2.0	1	Borrowed
33	SIC-38W-R2-A-ALL-01	Bottom frame combination	Assembly	1	
32	YW64000600300	Hex nut M6	5.0	74	
31	YW65006000100	Spring washer GB/T93.6	65Mn	118	
30	YW66061300000	Flat washer A grade GB/T93.6	14.0HV	118	
29	YW60062000100	Hex bolt M6x20	4.8	118	
28	SIC-38W-R2-A-07	Electrical base plate	SECC1.5	1	
27	SIC-38W-R2-A-10	Top frame	SPCC2.0	1	
26	SIC-38W-R2-A-03	Right front pillar	SPCC2.0	1	
25	SIC-38W-R2-A-08	Front middle crossbeam	SPCC2.0	1	
24	SIC-33A-R2-A-25	Fixing clip for return air pipe	SPCC1.0	1	Borrowed
23	SIC-38W-R2-A-16	Fixed connection block for return air pipe	SPCC2.0	1	
22	YP31051650000	Triangle power supply 3-phase 400V		1	
21	SG-S-01	Wire clamp fixing plate M32	SPCC2.0	1	
20	SIC-38A-R2-A-20	Plate exchange fixing plate	SPCC3.0	2	Borrowed
19	SIC-33A-R2-A-18	Evaporator fixing plate	SPCC2.0	4	Borrowed
18	SIC-33A-R2-A-24	Exhaust pipe fixing clip	SPCC1.0	1	Borrowed
17	SIC-38W-R2-A-19	Fixed connection block for exhaust pipe	SPCC3.0	1	
16	SIC-38W-R2-A-11	Filter fixing crossbeam	SPCC2.0	1	
15	SIC-38W-R2-A-02	Left front pillar	SPCC2.0	1	
14	SIC-38W-R2-A-06	Control box	SPCC1.5	1	
13	SIC-38W-R2-A-01	Meter plate	SPCC2.0	1	
12	SIC-38W-R2-A-12	Filter fixing block	SPCC3.0	1	
11	YW03000300000	Black rubber wheel 3 inches/brake applied	Assembly	2	
10	SIC-38W-R2-A-04	Left rear pillar	SPCC2.0	1	
9	SIC-33A-R2-A-30	Fixed block folding plate for inlet and outlet water pipes	SPCC2.0	2	Borrowed
8	SIC-38W-R2-A-15	Fixed beam for inlet and outlet water pipes	SPCC3.0	1	
7	SIC-33A-R2-A-29-01	Fixed welding blocks for inlet and outlet water pipes	SPCC3.0	2	Borrowed
6	SIC-38W-R2-A-03	Right rear pillar	SPCC2.0	1	
5	YW03000300200	Black rubber wheel 3 inches/movable	Assembly	2	
4	BL08102100020	Triangle plate (right) SIC-004	SPCC2.0	4	
3	YE9004.8501200	Communication interface board RS-485	Assembly	1	
2	YW62051000100	Large cross socket Flat head screw M5x10	4.8	6	
1	BL08112000020	Triangle plate (left) SIC-003	SPCC2.0	4	

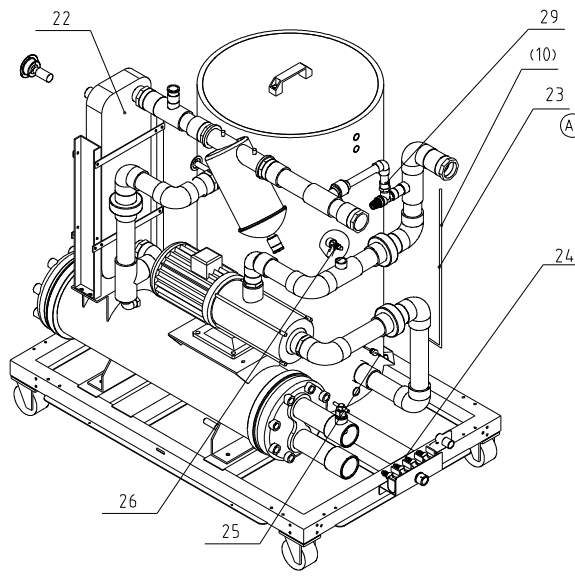
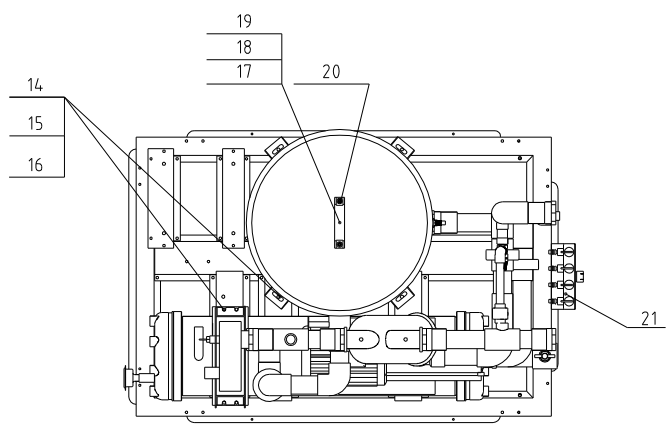
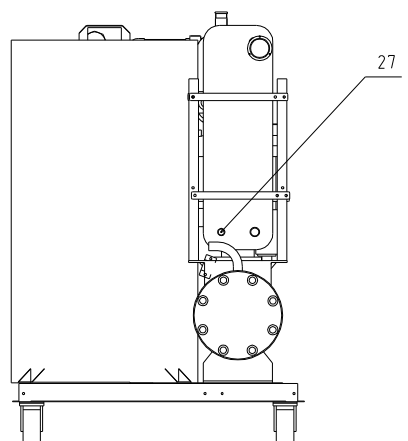
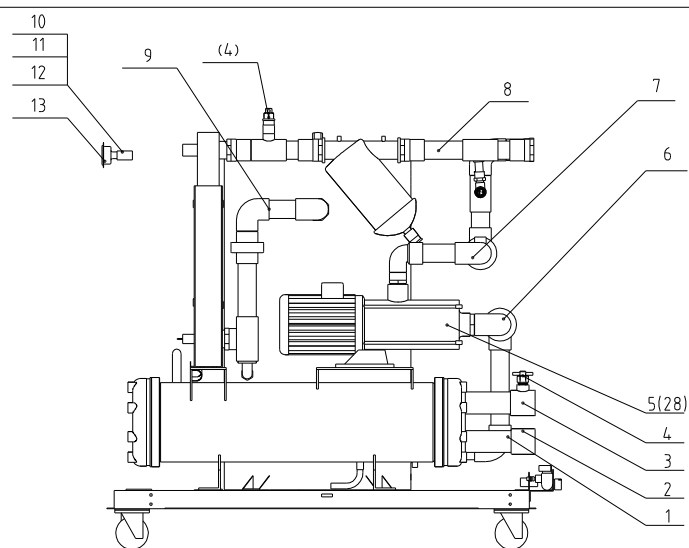
序号 代号 名称 材质 数量 备注

				制图		版号	C	标题	SIC-38W-R2	图号	SIC-38W-R2-A-ALL	比例	1:17	数量	1
				设计		核准		机架组合						材质	Assembly
①	无	新增		20230912	校对			SHINI 信易电热机械股份有限公司 Shini Plastics Technologies, Inc.	表面要求		/				
标记	更改前	更改后	更改人	日期	审核	日期	20190301		物料号		/				



23	YW60082000200	Hexagon bolt M8x20	8 8	4	
22	YW66081600000	Flat gasket (8.4x16x1.6)	14.0HV	8	
21	YW65008000100	Spring washer GB/T93.8	65Mn	8	
20	YW60084.000100	Hexagon bolt M8x4.0	4. 8	4	
19	SIC-38W-R2-C-07	Expansion valve outlet pipe	TP2M	1	
18	YW85712500000	Expansion valve BAE7-1/2	Assembly	1	
17	YW85001500100	Sight glass HMI-1T15	Assembly	1	Option
16	SIC-38W-R2-C-06	Filter outlet pipe	TP2M	1	
15	YW590014.00600	Copper 3-way 1/4"	TP2	2	
14	YW850104.00300	Top needle valve for liquid addition	Assembly	6	
13	YS30063500000	Quick connector connecting pipe	TP2M	0.2m	
12	YE90207506800	Liquid pipe solenoid valve	Assembly	1	Option
11	YW020004.00000	Steel wire hose 4"	Assembly	1	
10	SIC-38W-R2-C-05	Filter inlet pipe	TP2M	1	
9	YE9004.24.02100	Hot-air by pass valve FDF-4A	Assembly	1	
8	SIC-38W-R2-C-08	Bypass valve air outlet pipe	TP2M	1	
7	YW85016500100	Dry filter EK165S	Assembly	1	
6	SIC-38W-R2-C-02	Condenser	Assembly	1	
5	YS30063500000	Expansion valve equalizing tube	TP2M	0.4m	
4	SIC-38W-R2-C-03	Return air pipe	TP2M	1	
3	SIC-38W-R2-C-01	Plate evaporator	Assembly	1	
2	SIC-38W-R2-C-04	Air exhaust pipe	TP2M	1	
1	YM70012201800	Compressor ZP122KCE	Assembly	1	400V

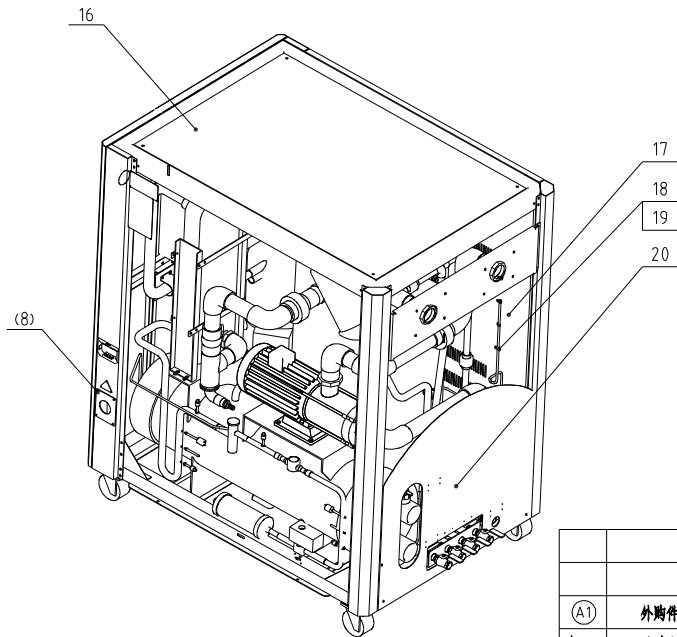
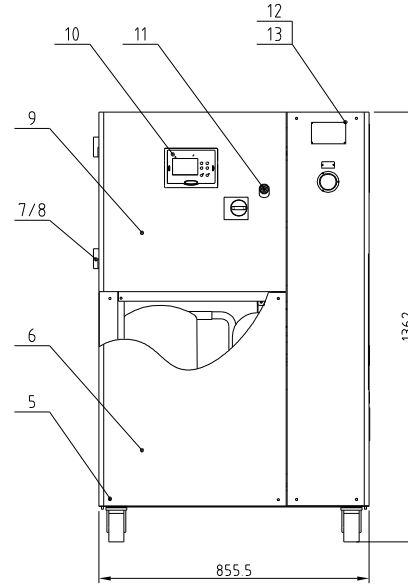
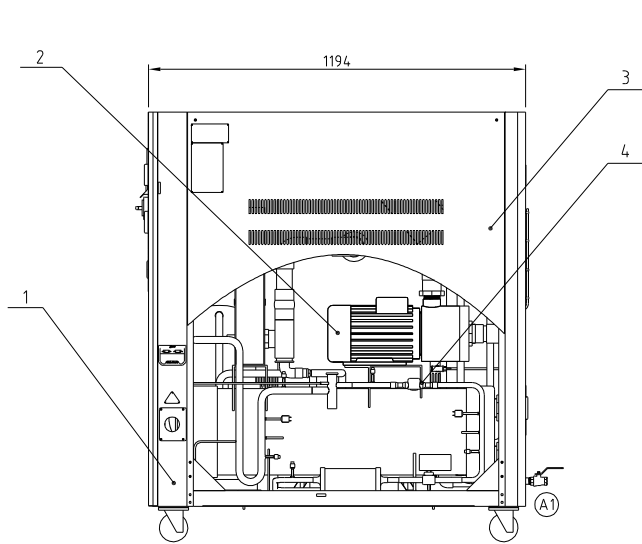
					制图	版号	A	标题	SIC-38W-R2-P	图号	SIC-38W-R2-P-C-ALL-02	比例	1:15	数量	1
					设计	核准			冷媒系统(400V)				材质	Assembly	
(A1)		见本图		20230701	校对			信易电热机械股份有限公司 Shini Plastics Technologies, Inc.				表面要求	/		
标记	更改前	更改后	更改人	日期	审核	日期	20230614		物料号	/					



29	SIC-38W-R2-B-07	Water outlet pipe bypass combination	Assembly	1	Borrowed
28	YM2184.0300300	Nanyuan water pump SHF8-40	Structure parts	1	400V High voltage usage
27	YE900014.00700	Antifreeze temperature sensing line#4 X86, 1/4" PT	Structure parts	1	
26	YE900016.00000	Side mounted plastic duckbill type liquid level switch M16	Structure parts	1	Option
25	YE907110.00000	Water temperature probe #7x 110mm, 1/8" PT	Assembly	1	
24	YR600510.00000	Steel wire hose 1/2"	Assembly	2m	
23	YR900000.22000	Air conditioning black tie	Structure parts	4	
22	YW873801.00000	Plate evaporator HBL95B-18D	Assembly	1	
21	YW5034.4.100100	3-gauge inlet and outlet four-way valve 1/2 inch	Assembly	1	
20	YW61062.000000	Internal hexagonal screw M6x20	DBS	2	
19	SIC-57W-R2-B-08	Water tank cover	Assembly	1	Borrowed
18	SIC-57W-R2-B-07	Water tank	Assembly	1	Borrowed
17	BW20012.00004.0	Aluminum square handle	Assembly	1	
16	YW60082.000200	Hex. bolt M6x20		8.8	12
15	YW660816.000000	Flat gasket (8.6+16+16)		14.0HV	12
14	YW650080.00100	Spring washer GB/T93.8		65Mn	12
13	YW850010.00100	pressure gage 0-10KG	Assembly	1	
12	BH120607.01710	1/4" PT to 1/4" H connector		H58	1
11	YW800614.00200	L-shaped threaded joint APL6	Assembly	3	
10	YR6062.0000100	Air pipe			1m
9	SIC-38W-R2-B-03	plate exchange water outlet pipe combination	Assembly	1	Borrowed
8	SIC-38W-R2-B-01	plate exchange inlet pipe combination	Assembly	1	Borrowed
7	SIC-38W-R2-P-B-02	Combination of water pump outlet pipe	Assembly	1	
6	SIC-38W-R2-P-B-01	Combination of water pump inlet pipe	Assembly	1	
5	YM218303.00100	Nanyuan water pump SHF8-30	Assembly	1	400V Medium voltage usage
4	YW8504.3600000	Flow switch	Assembly	1	
3	YW520234.01300	Galvanized water pipe three-way 2"X3/4"		0235A	1
2	YW510002.000000	Galvanized water pipe with straight internal teeth 2" (condensing inlet and outlet pipes)		0235A	1
1	SIC-38W-R2-B-08			0235A	2 Borrowed

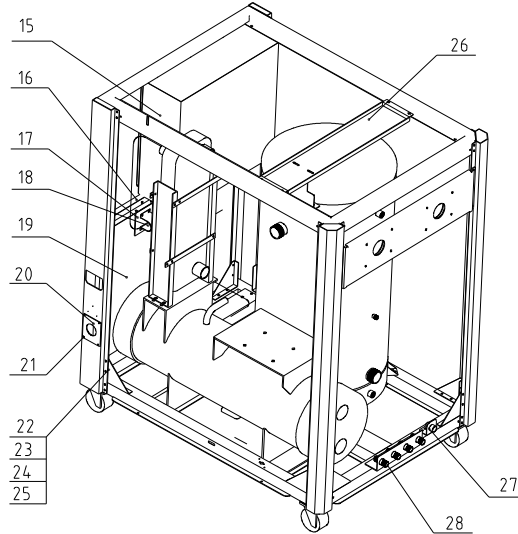
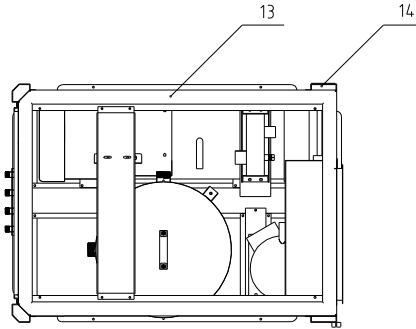
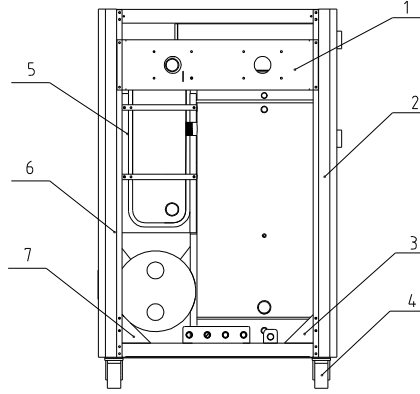
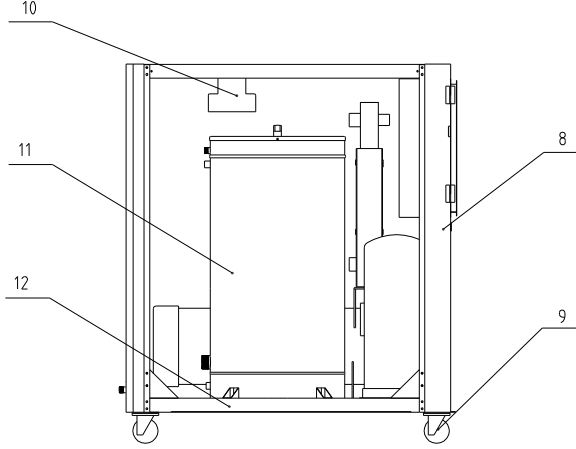
					制图	版号	A	标题	SIC-38W-R2-P	图号	SIC-38W-R2-P-B-ALL-02	比例	1:13	数量	1
					设计	核准			水系统(400V)				材质	Assembly	
(A1)	YW50001200300	YW5034.4.100100		20230701	校对	核准							表面要求	/	
标记	更改前	更改后	更改人	日期	审核	日期	20230614		信易电热机械股份有限公司 Shini Plastics Technologies, Inc.		物料号	/			

Cooling Capacity (outlet temperature 75/55W)	Cooling Capacity (outlet temperature 75/55W)	Cooling Capacity (outlet temperature 75/55W)	Total power (under high pressure)	Cooling water inlet (inch)	Cooling water outlet (inch)	Chilled water inlet (inch)	Chilled water outlet (inch)	Drain port (inch)	Water tank refill port (inch)	Cooling water flow (L/min)	Chilled water flow (L/min)	Water tank capacity (L)	Weight (kg)	Ver.
52kw	56kw	66kw	18.65/19.45kw	Rc2	Rc2	Rc1.5	Rc1.5	Rc1/2	Rc1/2	235	188	150	44.0	A



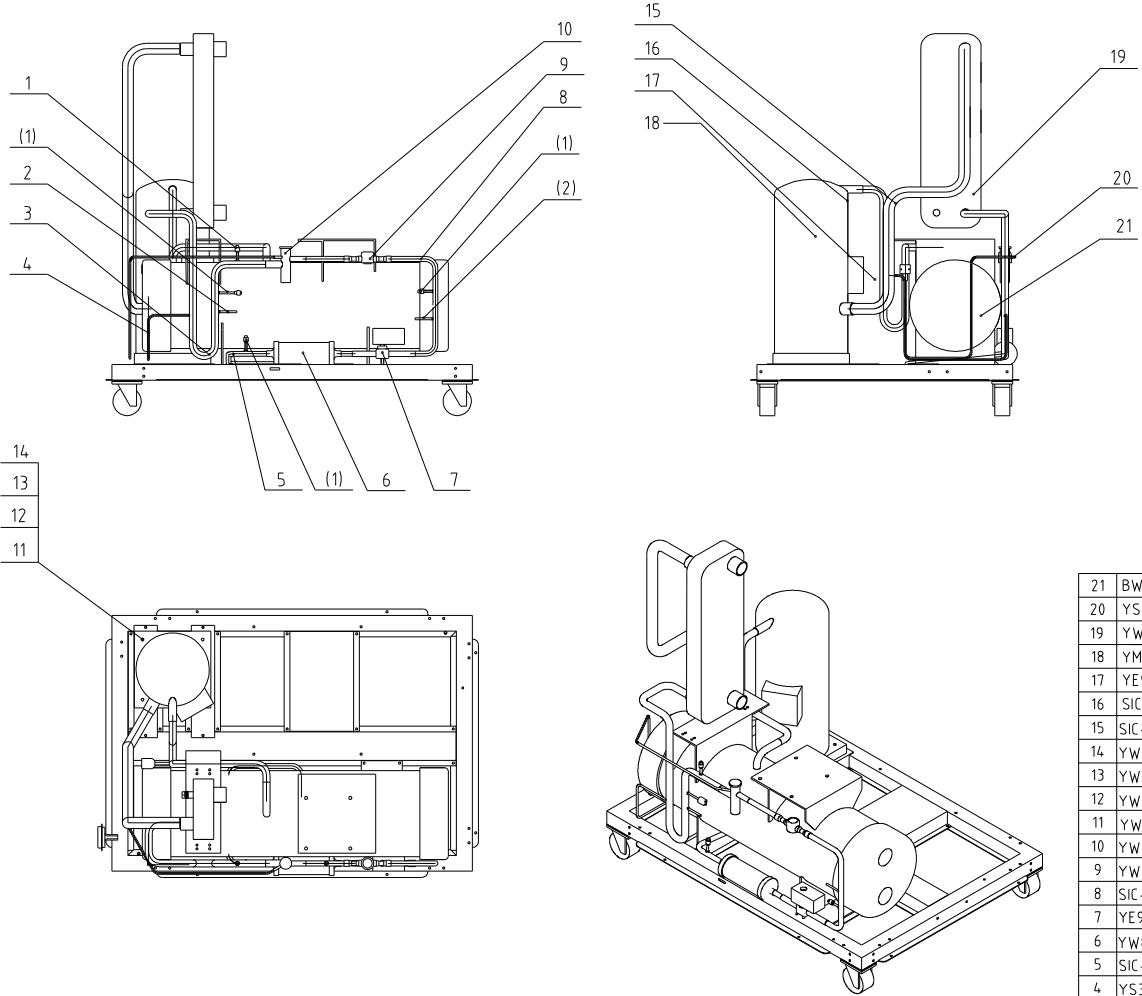
20	SIC-57W-R2-ALL-05	Rear plate	SPCC15	1	Borrowed
19	YR90000022000	Air conditioning cable ties		4	
18	YR60620000100	Transparent air pipe M6	Structural parts	3m	
17	SIC-57W-R2-ALL-03	Left side plate	SPCC15	1	Borrowed
16	SIC-57W-R2-ALL-06	Top plate	SPCC15	1	Borrowed
15	YW63030600000	Cross recessed pan head screw M3x6		4.8	3
14	YP30425000000	Pump pressure gauge	Assembly		1
13	YP30804900700	Machine nameplate	Assembly		1
12	YW69020500000	Rivet 2x5		4.8	17
11	YW00816100000	Door lock	SPCC15		1
10	YE80317506700	Water chiller controller	Assembly		1
9	SIC-57W-R2-ALL-01	Front upper door plank	SPCC15	1	Borrowed
8	YW62051000100	Large cross socket flat head screw M5x10		4.8	8
7	YW062031004.00	Large hinge (L203-11left)	Structural parts		2
6	SIC-57W-R2-ALL-02	Front lower door plank	SPCC15	1	Borrowed
5	YW62063500000	Cross socket flat-head screw M6x35		4.8	20
4	SIC-57W-R2-P-C-ALL-02	Refrigerant system (400V)	Assembly		1
3	SIC-57W-R2-ALL-04	Right side plate	SPCC15	1	Borrowed
2	SIC-57W-R2-P-B-ALL-02	Water system (400V)	Assembly		1
1	SIC-57W-R2-A-ALL	Rack combination	Assembly	1	Borrowed
序号	代号	名称	材质	数量	备注

				制图		版号	A	标题	SIC-57W-R2-P	图号	SIC-57W-R2-P-ALL-02	比例	1:15	数量	1
				设计		核准		总装图(400V)					材质	组合件	
(A1)	外购件	自制件		20230926	校对				信易电热机械股份有限公司 Shini Plastics Technologies, Inc.		表面要求		/		
标记	更改前	更改后	更改人	日期	审核	日期	20230829				物料号		/		



28	SIC-33A-R2-A-38	Urannage fixed plate combination	H58	1	Borrowed
27	SIC-33A-R2-A-39	Water pipe fixing plate	SPCC2.0	1	Borrowed
26	SIC-56W-R2-A-17	Filter fixing crossbeam	SPCC2.0	1	
25	YW66061300000	Flat washer A gradeGB/T971.6-Longzine	14.0HV	150	
24	YW65006000100	Standard spring washer GB/T93.6-Longzine	65Mn	120	
23	YW64006003000	Hexagon nut GB/T6170 M6-Longzine	5.0	120	
22	YW60062000100	Hex bolt M6×20-12.9-Longzine	4.8	120	
21	YW67481900000	Cross socket head tapping screw M4.8×15	4.8	20	
20	BL02010000020	Wire clamp fixing plate M32	SPCC2.0	1	
19	SIC-57W-R2-A-01	Meter plate	SPCC15	1	
18	SIC-57W-R2-A-20	Copper tube fixing plate	SPCC3.0	1	
17	SIC-57W-R2-A-21	Fixing clip for return air pipe	SPCC1.0	1	
16	SIC-57W-R2-A-08	Front middle crossbeam	SPCC3.0	1	
15	SIC-57W-R2-A-06	Control box	SPCC15	1	
14	SIC-57W-R2-A-03	Right front pillar	SPCC2.0	1	
13	SIC-57W-R2-A-10	Top frame	SPCC2.0	1	
12	SIC-57W-R2-A-ALL-01	Bottom frame combination	Assembly	1	
11	SIC-57W-R2-B-07	Water tank body	SPCC2.0	1	
10	SIC-57W-R2-A-20	Filter fixing block	SPCC2.0	1	
9	YW03000300000	Brake black rubber wheel 3"PP	SPCC2.0	2	
8	SIC-57W-R2-A-02	Left front pillar	SPCC2.0	1	
7	BL08102100020	Triangle plate (right) SIC-004	SPCC2.0	4	
6	SIC-57W-R2-A-05	Right rear pillar	SPCC2.0	1	
5	SIC-57W-R2-A-18	Plate replacement fixing bracket	SPCC3.0	2	
4	YW03000300200	Activity black rubber wheel 3"PP	Assembly	2	
3	BL08112000020	Triangle plate (left) SIC-003	SPCC2.0	4	
2	SIC-57W-R2-A-04	Left rear pillar	SPCC2.0	1	
1	SIC-57W-R2-A-21	Fixed beam for inlet and outlet water pipes	SPCC3.0	1	

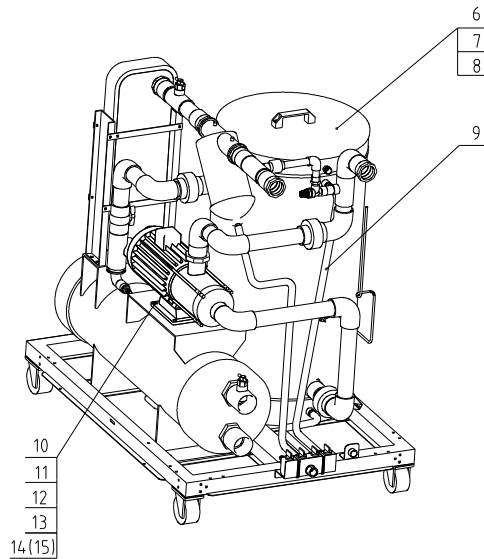
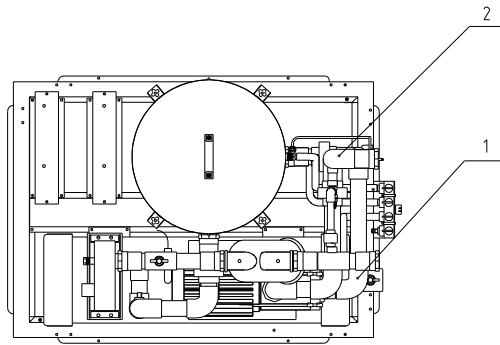
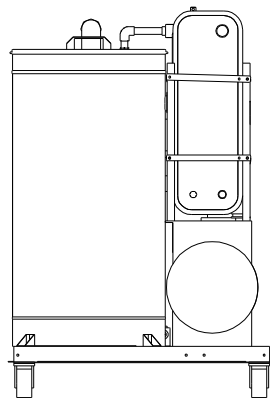
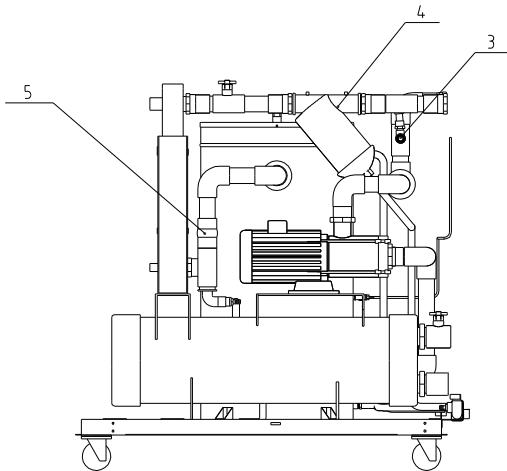
				制图	版号	C	标题	SIC-57W-R2	图号	SIC-57W-R2-A-ALL	比例	1:17	数量	1
				设计	核		机架组合				表面要求		材质	Assembly
①	分水器固定板	排水固定板组合	20230915	校对	准									
标记	更改前	更改后	更改人	日期	审核	日期	20190301	SHINI 信易电热机械股份有限公司 Shini Plastics Technologies, Inc.		物料号				



21	BW86005300010	Condenser SIC-57W-R2-C-02	Assembly	1	Borrowed
20	YS30063500000	Equalizing tube	Assembly	1	
19	YW87570108800	Plate exchange SIC-57W-R2-C-01	Assembly	1	Borrowed
18	YM70184900000	Compressor SH184-9(3Φ380V/60Hz)	Assembly	1	
17	YE90062402100	Hot-air by pass valve FDF-6A	Assembly	1	
16	SIC-57W-R2-C-03	Air exhaust pipe	TP2M	1	Borrowed
15	SIC-57W-R2-C-04	Return air pipe	TP2M	1	Borrowed
14	YW66061300000	Flat gasket A grade GB/T197.18-Longzine	14.0HV	16	
13	YW65006000100	Standard spring washer GB/T193.8-Longzine	65Mn	16	
12	YW64080600000	Hexagon nut GB/T6170 M8-Longzine	5.0	16	
11	YW60084000100	Hexagon bolt M8×4.0-12.9-Longzine	4.8	16	
10	YW85165800000	Expansion valve TFES 16-ZAA S/8×7/8	Assembly	1	
9	YW85001500100	Sight glass HMI-1TT5	Assembly	1	Option
8	SIC-57W-R2-C-06	Filter outlet pipe	Assembly	1	Borrowed
7	YE90207506800	Liquid pipe solenoid valve	TP2M	1	Option
6	YW85030500100	Dry filter EK305S	Assembly	1	
5	SIC-57W-R2-C-05	Condenser discharge pipe	TP2M	1	Borrowed
4	YS30063500000	Bypass valve air inlet pipe	TP2M	1	
3	SIC-57W-R2-C-07	Evaporator inlet pipe	TP2M	1	Borrowed
2	YS30063500000	Quick connector connecting pipe	TP2M	1	
1	YW85010400300	Top needle valve for liquid addition	Assembly	4	

序号	代号	名称	材质	数量	备注
		标题 SIC-57W-R2-P 冷媒系统(400V)	比例 1:15	数量 1	
		图号 SIC-57W-R2-P-C-ALL-02	材质 Assembly		
		SHINI 信易电热机械股份有限公司 Shini Plastics Technologies, Inc.	表面要求	/	
			物料号	/	

制图	版号	0
设计	核准	
校对	审核	
标记	更改前	更改后
	更改人	日期
	日期	20230829



15	YM211230014.00	Nanyuan water pump SHF12-30	Assembly	1	High voltage usage
14	YM211220014.00	Nanyuan water pump SHF12-20	Assembly	1	Medium voltage usage
13	YW66061300000	Flat gasket A grade GB/T97.1.8		8	14.0HV
12	YW65006000100	Standard spring washer GB/T93		8	65Mn
11	YW64080600000	Hex nut GB/T6170 M8		8	5.0
10	YW60082500100	Hex bolt M8*25-12.9		8	4.8
9	YR60051000000	Steel wire hose 1/2"		8	5M
8	BW20012000040	Square aluminum handle	Assembly	1	
7	SIC-33A-R2-B-08	Water tank cover	SUS201	1	Borrowed
6	SIC-57W-R2-B-07	Water tank	Assembly	1	Borrowed
5	SIC-57W-R2-B-03	Evaporator water outlet pipe combination	Assembly	1	Borrowed
4	SIC-57W-R2-B-02	Combination of return water pipes	Assembly	1	Borrowed
3	SIC-57W-R2-B-08	Water outlet pipe bypass combination	Assembly	1	Borrowed
2	SIC-57W-R2-P-B-03	Water outlet pipe combination	Assembly	1	
1	SIC-57W-R2-P-B-02	Combination of water pump suction pipe	Assembly	1	
序号	代号	名称	材质	数量	备注

制图		版号	0	标题	SIC-57W-R2-P	图号	SIC-57W-R2-P-B-ALL-02	比例	1:15	数量	1
设计		核准			水系统(400V)					材质	Assembly
校对										表面要求	/
标记	更改前	更改后	更改人	日期	审核	日期	20230829	 信易电热机械股份有限公司 Shini Plastics Technologies, Inc.		物料号	/