

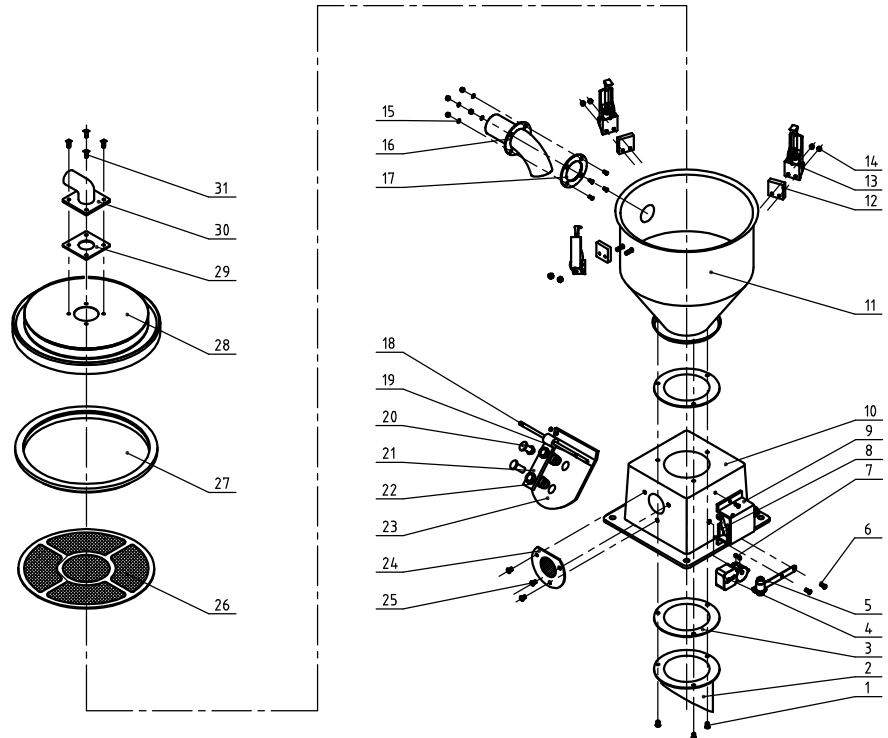
Tech. Req:

1. Main performance parameters:

- a. Throughput 500kg/hr (Tested material's bulk density: 0.65kg/L)
- b. Machine power: 3Φ, 400VAC, 50Hz;
- c. High-pressure blower power: 1.5 kW;
- d. Machine pneumatic working pressure: 0.4-0.8MPa

23	Foot pipe pressing screen	Q235	1		
22	Foot pipe pressing screen sheet	SPCC2.5	1		
21	Three-way valve	Assembly	1		
20	YW02004800000	Steel wire clamp 48mm Mat. No.1# steel	Assembly	2	
19	YR60105000200	Steel wire hose 15" (PUR355)20m/roll	Assembly	0.8m	
18	YR10002000000	Mofor suction port tightener 2HP	Rubber	1	
17	YR40020000000	Air suction pipe elbow	ABS	1	
16	YW02002500000	Pipe clamp φ57	Assembly	2	
15	YW65006000100	Standard spring washer GB/T193 6-Longzine		10	
14	YW66061300000	Flat gasket A grade GB/T97.1 6-Longzine		10	
13	YW66061500100	Hexagon screw bolt GB/T5783 M6x10-4.8-Longzine		10	
12		Filter assembly	Assembly	1	
11	YW65008000100	Standard spring washer GB/T193 8-Longzine		4	
10	YW66082200100	Large washer C grade GB/T19408 4x24x2-Longzine		4	
9	YW60081600100	Hexagon screw bolt GB/T5781 M6x16-4.8-Longzine		4	
8		Right side plate	SPCC2.0	1	
7		Control box	Assembly	1	
6		Fixed bracket	Assembly	1	
5	YR60500700100	Steel wire ext. PUR hose 2"	PUR	0.35m	
4		Left side plate	SPCC2.0	1	
3	BM30042000050	Blow Blower RB-42B/20P3 phase 230V/4.0kW/50/60HZ 3#	Assembly	1	
2		Base	SPCC2.0	1	
1	YW03000200000	Black castor 2"	Assembly	4	
No.	Part No.	Name	Material	Num.	Remarks

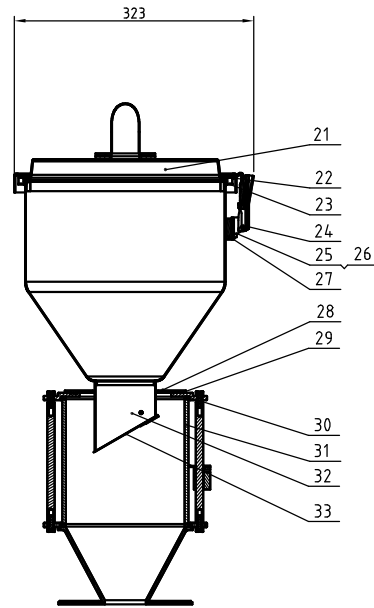
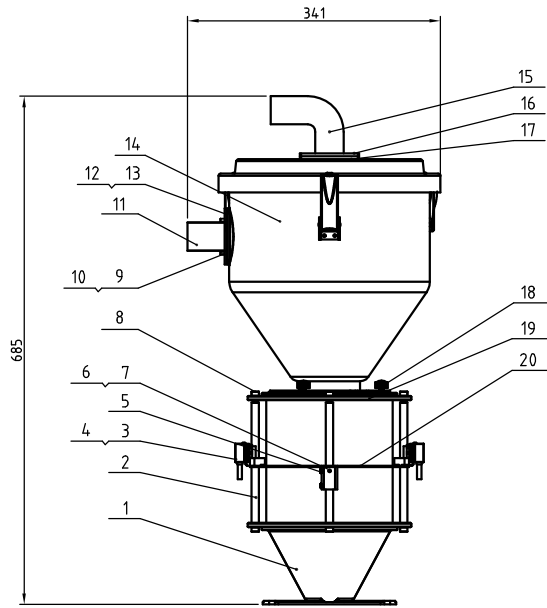
					Drawer	Version	Title	Drawing NO.	Scale	1:10	Num.	1
					Designer	Approved by	SAL-920G	SAL-920G-ALL		Material	Assembly	
					Proofread by	Checked by	"Standard" Separate-vacuum Hopper Loader			Surface		
Mark	Before modification	After modification	Modified by	Modify date	Checked by	Date	信易电热机械股份有限公司 Shini Plastics Technologies, Inc.		Material number			



No.	Part No.	Name	Material	Num.	Remarks
31	YW62051500000	Cross socket pan head screw M5x6	4.8	4	
30	BA20001500020	Air suction pipe	YL112	1	
29	YR10000000200	Air suction pipe	Rubber	1	
28	BL21001202220	Hopper cover	08F	1	
27	YR10000600200	Hopper fastener	Rubber	1	
26	BL21001200320	Filter screen	Assembly	1	
25	YW62061000000	Cross socket pan head screw M4x6	4.8	3	
24	YR40002400000	Air vent window	Assembly	1	
23	YW10000000100	Material discharge plate	SUS201	1	
22	YW01033000000	Spring	65Mn	2	
21	BW20000100010	Atu. accessories	YL112	1	
20	YW01033000000	Mat. discharge plate rivet	Q235A	2	
19	YW66000300000	Open check ring 5	65Mn	2	
18	BH10061400040	Iron rod	Q235A	1	
17	YR10061200000	Feed pipe fastener	Rubber	1	
16	BL32000600020	Feed pipe	SUS201	1	
15	YW66040800000	Flat washer 4	100HV	4	
14	YW64040700100	Lock nut M4x0.7	04	10	
13	YW02003000400	Spring fastener	Assembly	3	
12	YR40000600300	Spring fastener washer	ABS	3	
11		Material storage tank	SUS304	1	
10	BA10040000210	Square base (thin type)	YL112	1	
9	YR40000600600	Micro switch box	ABS	1	
8	YE14511200000	Micro switch LXW5-11G2	Assembly	1	
7	YW68005500000	Lock screw M5x5	4.8	4	
6	YW63041000000	Cross socket pan head screw M4x6	4.8	3	
5	BH10000600050	Iron rod	Assembly	1	
4	YW20602100000	With heavy-hammer	Zinc alloy	1	
3	YR10000000600	Base fastener	Rubber	2	
2	BL20333600020	Silical hole	SUS304	1	
1	YW62052000000	Cross socket pan head screw M5x20	4.8	3	

Tech. Req:
 1.Main parameters:
 a.Storage hopper capacity:12L
 b.Air source: 4-6kgf/cm²
 c.Voltage: DC24V

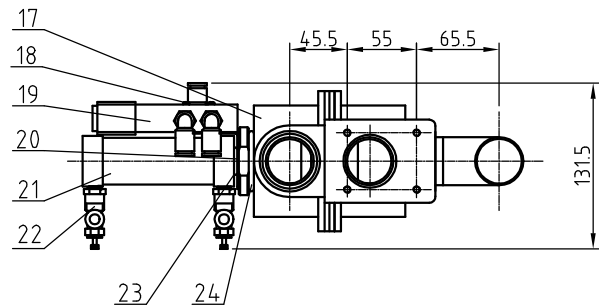
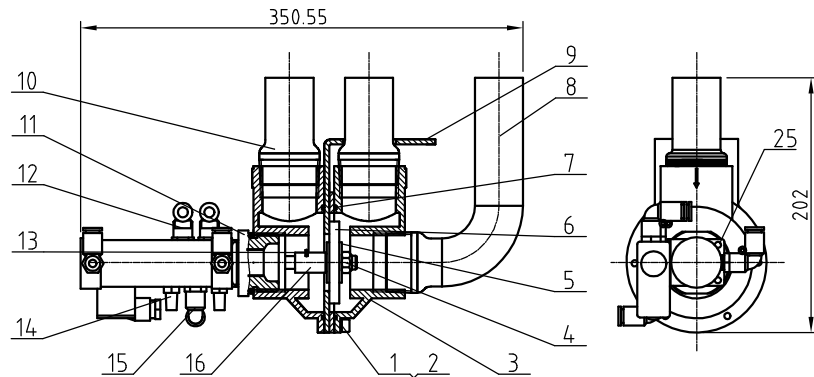
Mark	Before modification	After modification	Modified by	Modify date	Checked by	Date	Drawer	Version	Title	Drawing No.	Proportion	1:8	Num.	1	Remarks
									SMH-12L Vacuum Hopper Receiver	SMH-12L-A-ALL	Surface				
									SHINI 信易塑料科技股份有限公司 Shini Plastics Technology, Inc.						This drawing adopts the first corner drawing method.



Tech. Req:
 1.Main parameters:
 a.Storage hopper capacity:12L
 b.Air source: 4-6kgf/cm²
 c.Voltage: DC24V

33	BL21001200520	Non-return piece	SUS201	1	
32	BL27001200720	Mat. discharge port	SUS201	1	
31	YW70171700000	Glass pipe φ170×φ160×170	Glass	1	
30	YR10001200100	Glass pipe fastener SVH-12L-A-04 ver.0	Silical gel	2	
29	BL90052003210	Ventilation flange	SUS201	1	
28	BL21001201220	Hopper flange	SUS202	1	
27	YR40000600800	Spring hook block SAL-6U	ABS	4	
26	YW66040800000	Flat washer A grade GB/T191.4-Longzine		12	
25	YW64040700100	Non-metal insert hex. lock nut GB/T899.1 M4		12	
24	YW02003000400	Detachable spring hook	Assembly	4	
23	YR10000600200	Hopper fastener	Rubber	1	
22	BL21001200320	Filter screen	SUS201	1	
21	BL21120700320	Hopper cover	SUS304	1	
20	BL21001200120	Hopper fixed plate	SUS201	1	
19	BW32001200110	Hopper pipe upper flange	SUS202	1	
18	YW69621600000	Hand twist screw M6×15		3	
17	YR10000000200	Air suction pipe fastener	Rubber	1	
16	YW62051500000	Large cross socket flat head screw JS1111 M5×16-Longzine		4	
15	BW20001500010	Air suction pipe	YL12	1	
14		Material storage hopper	Assembly	1	
13	YR10000600300	Material pipe fastener	Rubber	1	
12	BL20036000320	Material pipe fixe piece	SUS201	1	
11	BL32000600020	Material pipe	SUS201	1	
10	YW66040800000	Flat washer A grade GB/T191.4-Longzine		4	
9	YW64040700100	Non-metal insert hex. lock nut GB/T899.1 M4		4	
8	YW61061601200	Inner hex. column head screw GB/T 78 M6×16-Longzine		8	
7	YW31616200000	Photosensor cable pressure block	SUS201	1	
6	YW63041200100	Cross socket pan head screw M4×2GB/T88-Longzine		4	
5	YW68004500000	Inner hex. flat end lock screw GB/T77 M4×5-Longzine		2	
4	BL90001000120	Photo sensor fixed piece	YL12	1	
3	YE15143900000	SVM FOTEK T18-3MN-PE	Assembly	1 pair	
2	BH10101600110	Flange connecting rod	Q235A	4	
1	BL21000610710	Glass pipe lower flange	SUS304	1	
No.	Part No.	Name	Material	Num	Remarks

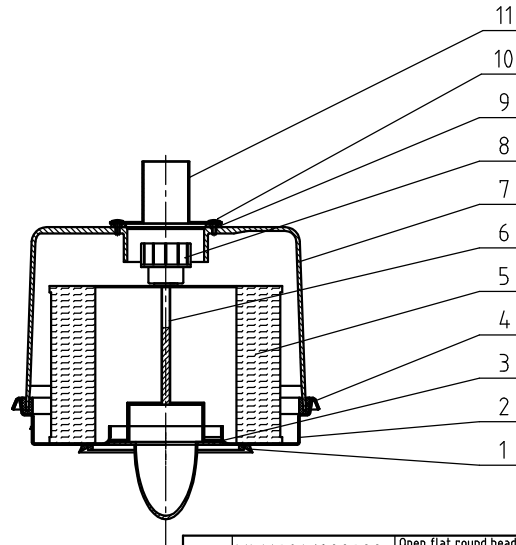
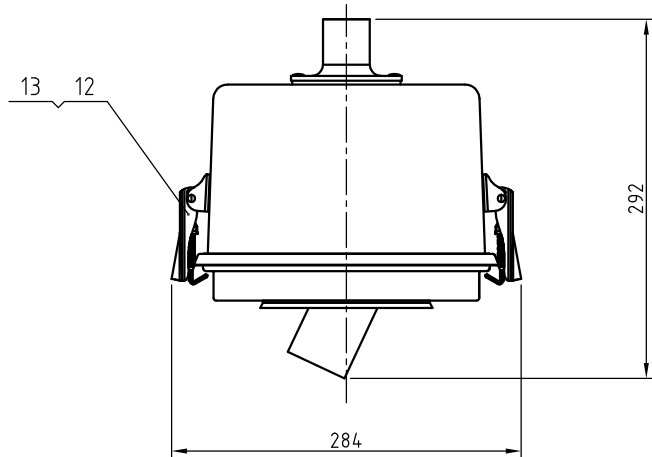
Mark	Before modification	After modification	Modified by	Modify date	Checked by	Date	Version	Approved by	Title	Drawing No.	Prop.	1:6	Num.	1	Remarks
									SVH-12L	SVH-12L-A-ALL					
									Photosensor Hopper Receiver						
									SHINI 信易电热机械股份有限公司 Shini Plastics Technologies, Inc.						
											Surface				
											Material number				



Notes: * means easy broken part. and spare backup is suggested.

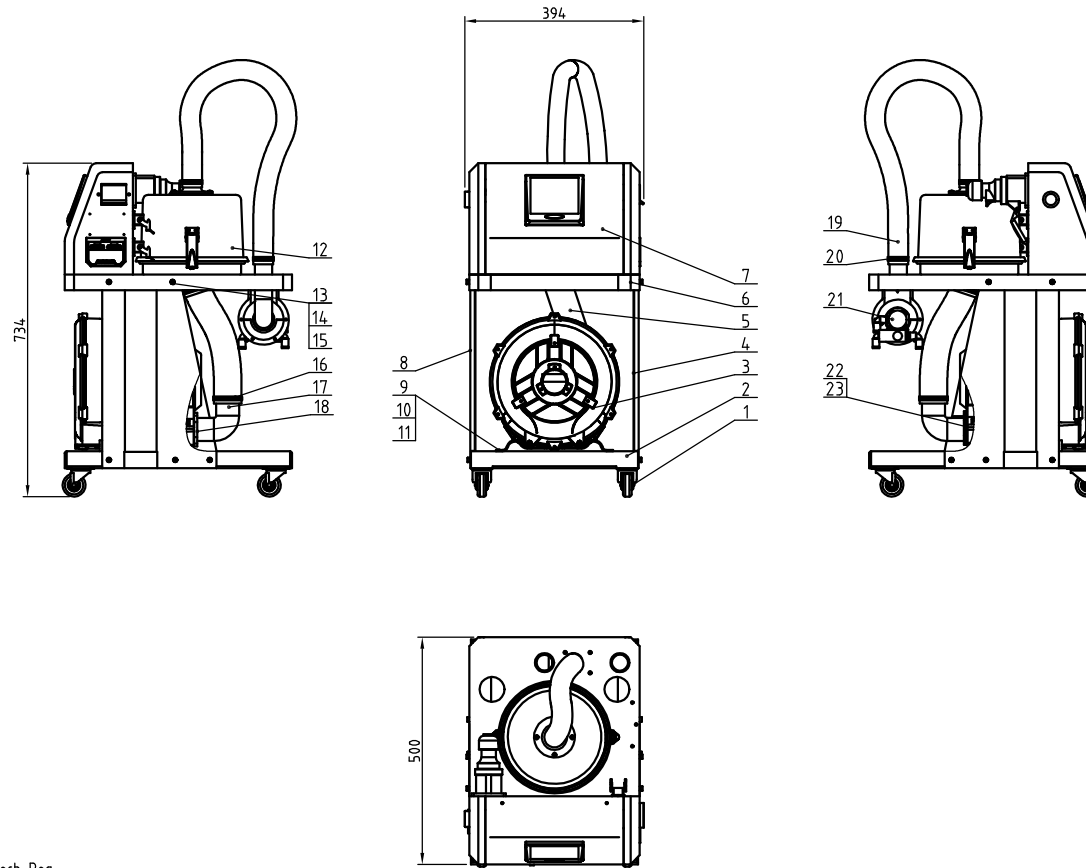
25	YW63040600000	Cross socket pan head screw GB/T-818 M4x6-Longzine		2	
24	YR20044800000	O-type seal ring $\phi 48 \times \phi 4$	Rubber	1	
23	YR20222500000	O-type seal ring ext. dia. 22 wire dia. 2.5	Rubber	1	
22	YW80061800000	Adjustable air pipe connector ASL6-1/8	Assembly	2	
21	YE31125010000	Cylinder MBL25x50-U(AIRTAC)		1	
20		Solenoid valve fixed piece	SPCC1.2	1	
19	YE32421600100	Solenoid valve 4V210-06 AC24V	Assembly	1	*
18	YW63042500000	Cross socket pan head screw GB/T-818 M4x25-Longzine		2	
17	BH10090000210	Valve body 2	YL112	1	
16	BH10906000110	Height increased iron rod	Q235A	1	
15	YW80081800100	Air pipe connector ASL8-1/8	Assembly	1	
14	YW80010800000	Muffer BSL-01	Assembly	2	
13	YW68005500000	Inner hex. flat end lock screw GB/T77 M5x5-Longzine		1	
12	YW80061800200	Air pipe connector ASL6-1/8	Assembly	2	
11	BH13900700010	3-way valve connector	6061	1	
10	BL22900000320	Air suction pipe 2	SUS201	2	
9		3-way valve fixed plate	Assembly	1	
8	BL22900000120	Air suction pipe 1	SUAS201	1	
7	YR20258900000	O-type seal ring $\phi 89 \times \phi 2.5$ (ext. dia.)	Rubber	2	
6	BR10651200040	3-way valve diaphragm 65x12x8mm	Assembly	1	
5	YW66103200000	Large washer A grade GB/T96 10(10.5x30x2.5)-Longzine		2	
4	YW64101100000	Hex. lock nut M10 (Thickness: 11mm)		1	
3	BH10090000510	Valve body 1	YL112	1	
2	YW65006000000	Standard spring washer GB/T93 6-A2-70(SUS)		6	
1	YW61062000300	Inner hex. column lock screw GB/T70.1 M6x20-12.9-Longzine		6	
No.	Material number	Name	Mat.	Num.	Remarks

					Draw.	Ver.	Title	Drawing no.	Scale	1:5	Num.	1
					Desi.	App.	Three-way Valve	SAL-910G-A-ALL			Mat.	Assembly
					Check	by	SHINI 信易電熱機械股份有限公司 Shini Plastics Technologies, Inc.	Surface req.				
Mark	Before Mark	After Mod.	Modified by	Date	App.	Date		Mat No.				



13	YW69041200900	Open flat round head blind rivet GB/T 12618 4X2-42-70 (SUS)		4	
12	YW02003000400	Adjustable spring hook SAL-6U-A-35	Assembly	2	
11		Filter barrel suction flange	SUS201	1	
10	YW67041600700	Cross recessed pan head self-lapping screw GB6561 M4x6 Longzine		4	
9	YR10243600000	Suction pipe round fastener SAL-24U/36U	Rubber	1	
8	YW09675100000	Small star nut 5/16 SHD-6~75KG-01-SJ	Alu. alloy	1	
7	YL22081000000	Transparent filter	PC	1	
6	BL20333640320	Filter barrel base	Assembly	1	
5	YR50708000100	Filter	Assembly	1	
4	YR10080000300	Filter barrel fastener	Rubber	1	
3	YR10243600000	Suction pipe round fastener SAL-24U/36U	Rubber	1	
2	BL20070000720	Filter barrel cover	SPCC1.5	1	
1	YR10080000000	Fastener	Rubber	1	
No.	Material number	Name	Mat.	Num.	Remarks

					Draw.		Ver.		Title	SAL-810G	Drawing no.	Scale	1:5	Num.	1
					Desi.		App.		Filter Barrel Assembly		SAL-810G-A-ALL			Mat.	Assembly
					Check		by		SHINI 信易電熱機械股份有限公司 Shini Plastics Technologies, Inc.		Surface req.				
Mark	Before Mark	After Mod.	Modified by	Date	App.	Date		Mat No.							



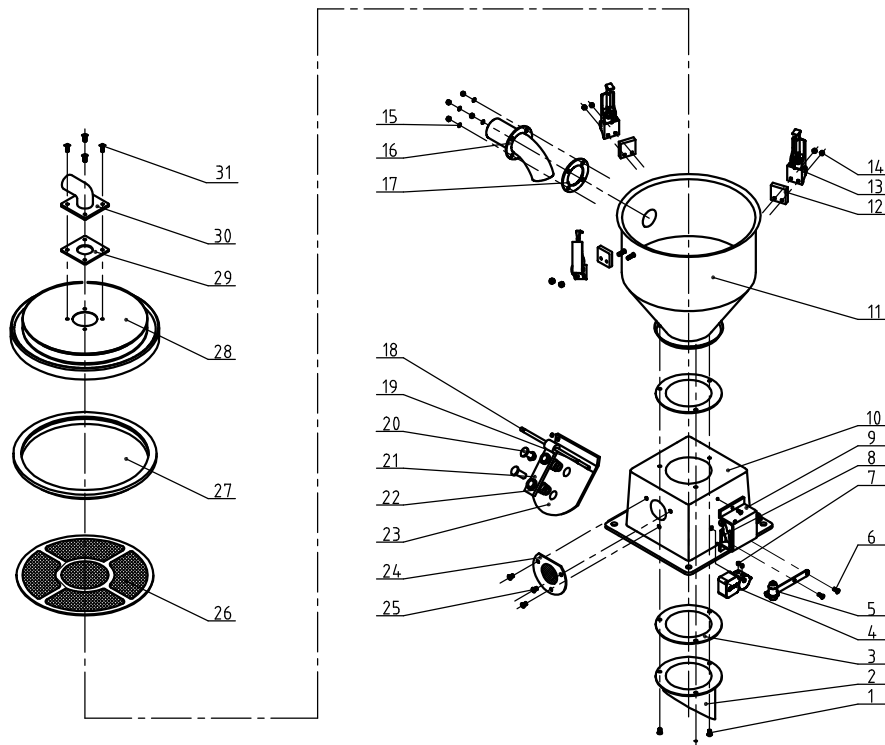
Tech. Req:

1.Main performance parameters:

- a. Throughput 500kg/hr (Tested material's bulk density: 0.65kg/L)
- b. Machine power: 3Φ, 400VAC, 50Hz;
- c. High-pressure blower power: 0.75kW;
- d. Machine pneumatic working pressure: 0.4-0.8MPa

23	Foot pipe pressing screen	Q235	1		
22	Foot pipe pressing screen sheet	SPCC2.5	1		
21	Three-way valve	Assembly	1		
20	YW02004800000	Steel wire clamp 4.8mm Mat. No.14 steel	Assembly	2	
19	YR60105000200	Steel wire hose 15" (PUR355)20m/roll	Assembly	0.8m	
18	YR10001000000	Motor suction port tightener 1HP	Rubber	1	
17		Air suction pipe elbow	ABS	1	
16	YW02002500000	Pipe clamp φ57	Assembly	2	
15	YW65006000100	Standard spring washer GB/T93 6-Longzine		10	
14	YW66061300000	Flat gasket A grade GB/T97.1 6-Longzine		10	
13	YW60061500100	Hexagon screw bolt GB/T5783 M6x10-L-Longzine		10	
12		Filter assembly	Assembly	1	
11	YW65008000100	Standard spring washer GB/T93 8-Longzine		4	
10	YW66082200100	Large washer C grade GB/T9688.4-24x21-L-Longzine		4	
9	YW60081600100	Hexagon screw bolt GB/T5781 M6x16-L-Longzine		4	
8		Right side plate	SPCC2.0	1	
7		Control box	Assembly	1	
6		Fixed bracket	Assembly	1	
5	YR60500700100	Steel wire ext. PUR hose 2"	PUR	0.35m	
4		Left side plate	SPCC2.0	1	
3	BM30031000150	Shin Motor RB-310/1HP3 phase 230V/400V/50/60HZ	Assembly	1	
2		Base	SPCC2.0	1	
1	YW03000200000	Black castor 2"	Assembly	4	
No.	Part No.	Name	Material	Num.	Remarks

Mark	Before modification	After modification	Modified by	Modify date	Checked by	Date	Drawer	Version	Title	SAL-910G "Standard" Separate-vacuum Hopper Loader	Drawing NO.	SAL-910G-ALL	Scale	1:10	Num.	1	Material	Assembly
							Designer	Approved by									Surface	
							Proofread by											
										信易电热机械股份有限公司 Shini Plastics Technologies, Inc.						Material number		



Tech. Req.:

1.Main parameters:

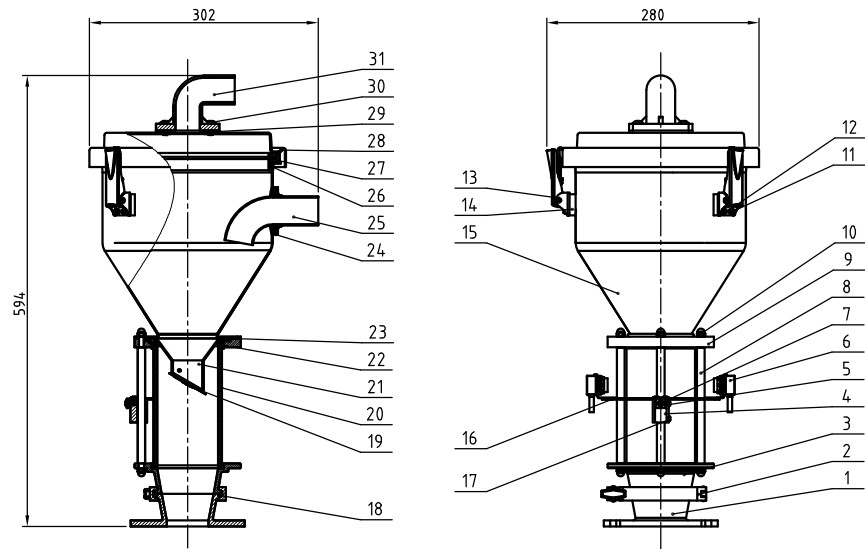
a.Storage hopper capacity:6L

b.Air source: 4-6kgf/cm²

c.Voltage: DC24V

No.	Part No.	Name	Material	Num.	Remarks
31	YW62051500000	Large cross socket flat head screw JS1111 M5*16-Longzine		4	
30	BA20001500020	Air suction pipe	YL112	1	
29	YR10000000200	Air suction pipe fastener (has mould)	Rubber	1	
28	BL21000600420	Hopper cover	SPCC1.5	1	
27	YR10000300100	Hopper fastener	Rubber	1	
26	BL21000600620	Filter screen	Assembly	1	
25	YW62061000000	Large cross socket flat head screw JS1111 M5*16-Longzine		7	
24	YR40002400100	Vacuum hopper plastic exhaust window SMH-6L-A-32 ver.0(white)(has mould)	Assembly	1	
23	YW10000000100	Mat. discharge plate	SUS201	1	
22	YW01033000000	Mat. discharge plate spring		2	
21	BW20000100010	Alu. accessories	YL112	1	
20	YW01033000000	Mat. discharge plate rivet	Q235A	2	
19	YW66000300000	Open check ring GB/T896 3		2	
18	BH10061400040	Iron rod	Q235A	1	
17	YR10061200000	Inlet pipe fastener	Rubber	1	
16	BL32000600020	Inlet pipe	SUS201	1	
15	YW66041000000	Flat washer A grade GB/T97.1 4(4.5*9*0.8)-Longzine		4	
14	YW64040700100	Non-metal insert hex. lock nut GB/T889.1 M4		10	
13	YW02003000400	Spring fastener	Assembly	3	
12	YR40000600300	Spring fastener washer	ABS	3	
11		Material storage tank	SUS304	1	
10	BA10040000210	Square base (thin type)	YL112	1	
9	YR40000600600	Micro switch box	ABS	1	
8	YE14511200000	Micro switch LXW5-11G2		1	
7	YW68005500000	Inner. hex. flat end lock screw GB/T77 M5*5-Longzine		4	
6	YW63041200100	Large cross socket pan head screw GB/T48 M4*12-Longzine		3	
5	BH10000600050	Pin lift mechanism	Assembly	1	
4	YW20602100000	With heavy-hammer	Zinc alloy	1	
3	YR10000000600	Base fastener	Rubber	2	
2	BL20333600020	Silical hole	SUS304	1	
1	YW62052000000	Large cross socket flat head screw JS1111 M5*20-Longzine		3	

Mark	Before modification	After modification	Modified by	Modify date	Checked by	Date	Title	Drawing NO.	Proportion	Num.	Material	Remarks
							SMH-6L	SMH-6L-A-ALL	1:8	1	Assembly	
							Vacuum Hopper Receiver				Surface	
							信易電熱機械股份有限公司 Shini Plastics Technologies, Inc.					



31	BW20001500010	Air suction pipe	YL112	1	
30	YW62051500000	Large cross socket flat head screw JIS1111 M5×16-Longzine		4	
29	YR10000000200	Air suction pipe fastener	Rubber	1	
28	BL21000602820	Hopper cover	SUS304	1	
27	BL21000600620	Filter screen	SUS201	1	
26	YR10000300100	Hopper fastener	Rubber	1	
25	BL32000600020	Inlet pipe	SUS201	1	
24	YR10061200000	Inlet pipe fastener	Rubber	1	
23	YR20259800000	Rubber O-type seal ring 2.5×98	Rubber	1	
22	YR10060200000	Glass pipe fastener	Silical gel	2	
21	BW32006700810	Mat. discharge port	Assembly	1	
20	YW70317000600	Glass pipe	Glass	1	
19	BL21000602720	Non-return piece	Assembly	1	
18	YR20802600000	Rubber O-type seal ring 80 (inner dia.)×2.65	Rubber	1	
17	YW68004500000	Inner hex. flat end lock screw GB/T177 M4×5-Longzine		2	
16		Photo sensor fixed piece	SPCC15	1	
15		Material storage hopper	SUS304	1	
14	YR40000600300	Spring fastener washer	ABS	3	
13	YW02003000400	Spring fastener	Assembly	3	
12	YW66041000000	Flat washer A grade GB/T97.1 4(4.5×9×0.8)-Longzine		8	
11	YW64040700100	Non-metal insert hex. lock nut GB/T889.1 M4		8	
10	YW64006000100	Hex. cap nut GB/T923 M6-A2-70(SUS)		6	
9	BH13062400200	Glass pipe upper flange	YL112	1	
8	BH10000600640	Flange connecting rod	Q235A	3	
7	YW63041200100	Cross socket pan head screw GB/T-818 M4×12-Longzine		3	
6	YE15143900000	Photosensor FOTEK T18-3MN-PE	Assembly	1pair	
5	YW31616200000	Photosensor cable pressure block	SUS201	1	
4	BL90001000120	Photosensor fixed base	YL112	1	
3	BH13062600200	Glass pipe lower flange	YL112	1	
2	YW07000300000	3" stainless steel pipe clamp	SUS202	1	
1	BH13060100200	Mount flange	YL112	1	
No.	Part No.	Name	Material	Num.	Remarks

Tech. Req.:

1.Main parameters:

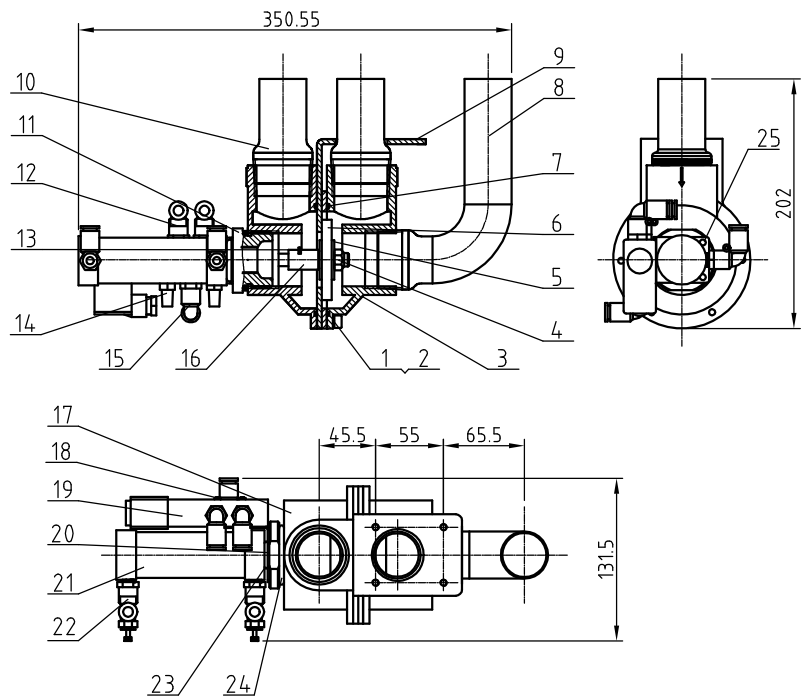
a.Storage hopper capacity:6L

b.Air source: 4-6kgf/cm²

c.Voltage: DC24V

					Drawer	Version	
					Designer		
					Proofread by	Approved by	
Mark	Before modification	After modification	Modified by	Modify date	Checked by	Date	

Title		Drawing No.		Prop.	1:6	Num.	1
SVH-6L		SVH-6L-ALL					
Photosensor Hopper Receiver						Material	Assembly
		信易電熱機械股份有限公司 Shini Electric Technologies, Inc.		Surface			
				Material number			

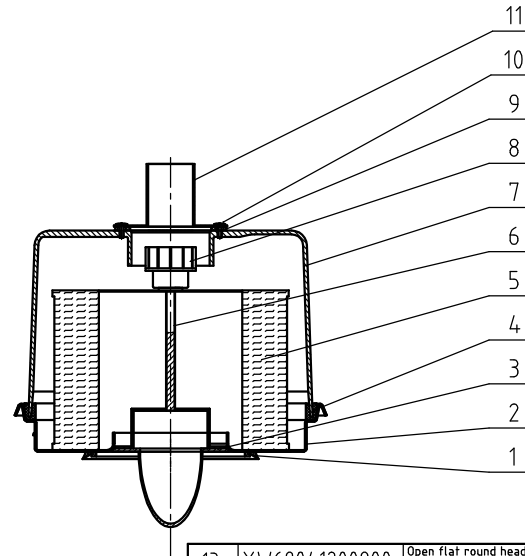
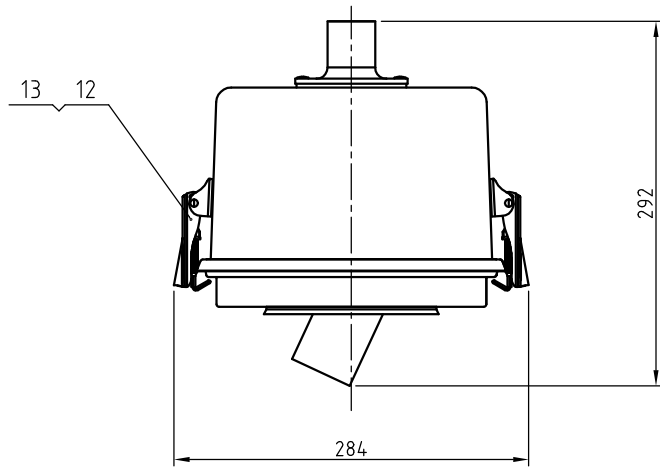


Notes: * means easy broken part, and spare backup is suggested.

25	YW63040600000	Cross socket pan head screw GB/T-818 M4x6-Longzine		2	
24	YR20044800000	O-type seal ring $\phi 4.8 \times \phi 4$	Rubber	1	
23	YR20222500000	O-type seal ring ext. dia. 22 wire dia. 2.5	Rubber	1	
22	YW80061800000	Adjustable air pipe connector ASL6-1/8	Assembly	2	
21	YE31125010000	Cylinder MBL25x50-U(AIRTAC)		1	
20		Solenoid valve fixed piece	SPCC1.2	1	
19	YE32421600100	Solenoid valve 4V210-06 AC24V	Assembly	1	*
18	YW63042500000	Cross socket pan head screw GB/T-818 M4x25-Longzine		2	
17	BH10090000210	Valve body 2	YL112	1	
16	BH10906000110	Height increased iron rod	Q235A	1	
15	YW80081800100	Air pipe connector ASL8-1/8	Assembly	1	
14	YW80010800000	Muffer BSL-01	Assembly	2	
13	YW68005500000	Inner hex. flat end lock screw GB/T177 M5x5-Longzine		1	
12	YW80061800200	Air pipe connector ASL6-1/8	Assembly	2	
11	BH13900700010	3-way valve connector	6061	1	
10	BL22900000320	Air suction pipe 2	SUS201	2	
9		3-way valve fixed plate	Assembly	1	
8	BL22900000120	Air suction pipe 1	SUAS201	1	
7	YR20258900000	O-type seal ring $\phi 89 \times \phi 2.5$ (ext. dia.)	Rubber	2	
6	BR10651200040	3-way valve diaphragm 65x12x8mm	Assembly	1	
5	YW66103200000	Large washer A grade GB/T96 10(10.5x30x2.5)-Longzine		2	
4	YW64101100000	Hex. lock nut M10 (Thickness: 11mm)		1	
3	BH10090000510	Valve body 1	YL112	1	
2	YW65006000000	Standard spring washer GB/T93 6-A2-70(SUS)		6	
1	YW61062000300	Inner hex. column lock screw GB/T70.1 M6x20-12.9-Longzine		6	
No.	Material number	Name	Mat.	Num.	Remarks

					Draw.		Ver.		Title	SAL-910G	Drawing no.	Scale	1:5	Num.	1
					Desi.		App.		Three-way Valve		SAL-910G-A-ALL			Mat.	Assembly
					Check		by				Surface req.				
Mark	Before Mark	After Mod.	Modified by	Date	App.		Date	Mat No.							

SHINI 信易電熱機械股份有限公司
Shini Plastics Technologies, Inc.



No.	Material number	Name	Mat.	Num.	Remarks
13	YW69041200900	Open flat round head blind rivet Ø1.1 1208 X 12-A2-70 (SUS)		4	
12	YW02003000400	Adjustable spring hook SAL-6U-A-35	Assembly	2	
11		Filter barrel suction flange	SUS201	1	
10	YW67041600700	Cross recessed pan head self-tapping screw Ø6.5 14 x 16 Longline		4	
9	YR10243600000	Suction pipe round fastener SAL-24U/36U	Rubber	1	
8	YW09675100000	Small star nut 5/16 SHD-6~75KG-01-SJ	Alu. alloy	1	
7	YL22081000000	Transparent filter	PC	1	
6	BL20333640320	Filter barrel base	Assembly	1	
5	YR50708000100	Filter	Assembly	1	
4	YR10080000300	Filter barrel fastener	Rubber	1	
3	YR10243600000	Suction pipe round fastener SAL-24U/36U	Rubber	1	
2	BL20070000720	Filter barrel cover	SPCC1.5	1	
1	YR10080000000	Fastener	Rubber	1	

					Draw.		Ver.		Title	SAL-810G	Drawing no.	SAL-810G-A-ALL	Scale	1:5	Num.	1
					Desi.		App.			Filter Barrel Assembly					Mat.	Assembly
					Check		by		SHINI 信易電熱機械股份有限公司 Shini Plastics Technologies, Inc.			Surface req.				
Mark	Before Mark	After Mod.	Modified by	Date	App.		Date			Mat No.						