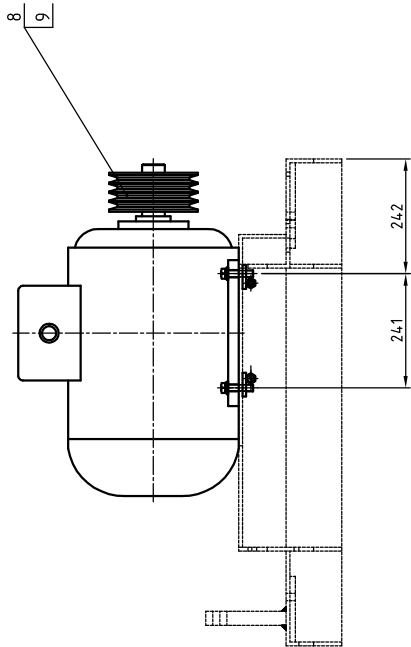
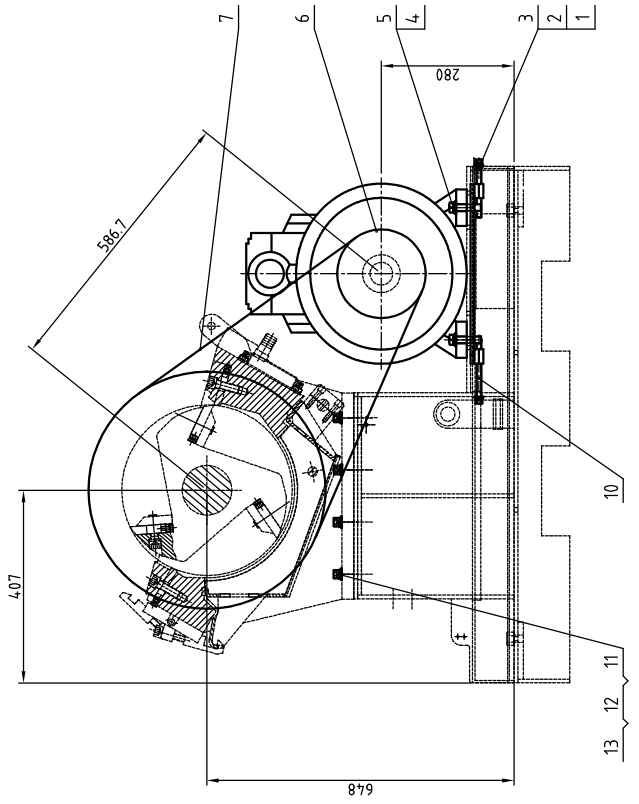


|    |                |  |
|----|----------------|--|
| 40 | YR4-0083500000 | Five star handle type BM8x35                                   |
| 39 | BH10365000310  | Presenting knife jig   |
| 38 | YW04010100000  | Oil nozzle M10x1   |
| 37 | BH12000301010  | Copper trumpet nut 3"  |
| 36 | BH10360100010  | Oil pipe nut   |
| 35 | BH10361100010  | 3/8 Copper pipe ext. connector                                 |
| 34 | BH12361000010  | 3/8 Copper pipe inner connector                                |
| 33 | BH12367500010  | Oil filling pipe   |
| 32 | YW02003000400  | Spring buckle adjustable                                       |
| 31 | BH10365008010  | Pneumatic spring fixed shaft                                   |
| 30 | YW61088000000  | Inner hexagon cylinder head screw GB/T70.1 M8x8p-4.8-Longzine  |
| 29 | BH12360600310  | Screen support pipe  |
| 28 | BH10361600010  | Buffer ext. sleeve   |
| 27 | BH10365007010  | Buffer pad block 1   |
| 26 | YW01090000000  | Air pressure spring(900N)                                      |
| 25 | YW61061600200  | Inner hexagon cylinder head screw GB/T70.1 M6x16-12.9-Longzine |

|    |               |   |
|----|---------------|---|
| 24 | BH10365000010 | Buffer pad block 1  |
| 23 | -             | Buffer inner sleeve   |
| 22 | YW01140000000 | Air pressure spring(1400N)                                      |
| 21 | -             | Pneumatic spring fixed plate 1                                  |
| 20 | YW66081900000 | Flat washer 8x19x2.0 Longzine                                   |
| 19 | YW6500800100  | Standard spring washer GB/T93 8-Longzine                        |
| 18 | YW61081600000 | Inner hexagon cylinder head screw GB/T70.1 M8x16-8.8-Longzine   |
| 17 | YW64001600000 | Hexagon nut GB/T6170 M16-Longzine                               |
| 16 | YW03162000000 | Foot pad  |
| 15 | -             | Foot pad sleeve   |
| 14 | BH10161800010 | Rod for foot pad  |
| 13 | -             | Collective storage box assembly                                 |
| 12 | -             | Shield components   |
| 11 | -             | Driving assembly  |
| 10 | YW64001000000 | Hexagon nut GB/T6170 M10-Longzine                               |
| 9  | YW60135000000 | Inner hexagon flat head screw GB/T70.2 M8x25-12.9-Longzine      |
| 8  | YW66102500000 | Flat washer C grade GB/T95 10(11;20x2)-Longzine                 |
| 7  | YW65010000000 | Standard spring washer GB/T93 10-Longzine                       |
| 6  | YW61103000100 | Inner hexagon cylinder head screw GB/T70.1 M10x30-12.9-Longzine |
| 5  | -             | Curling chamber assembly  |
| 4  | -             | Base welding part figure  |
| 3  | -             | Fly wheel lower part  |
| 2  | -             | Fly wheel upper part  |
| 1  | -             | Feed box assembly   |

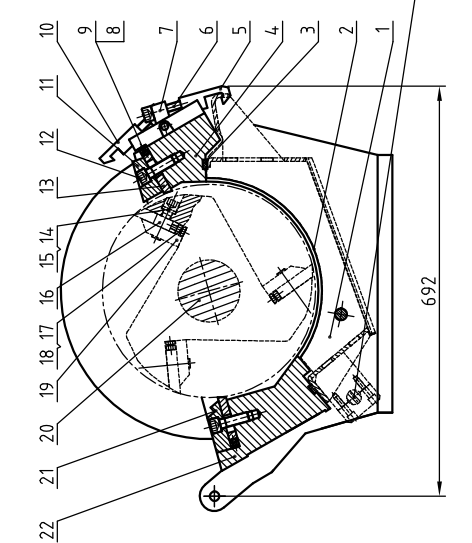
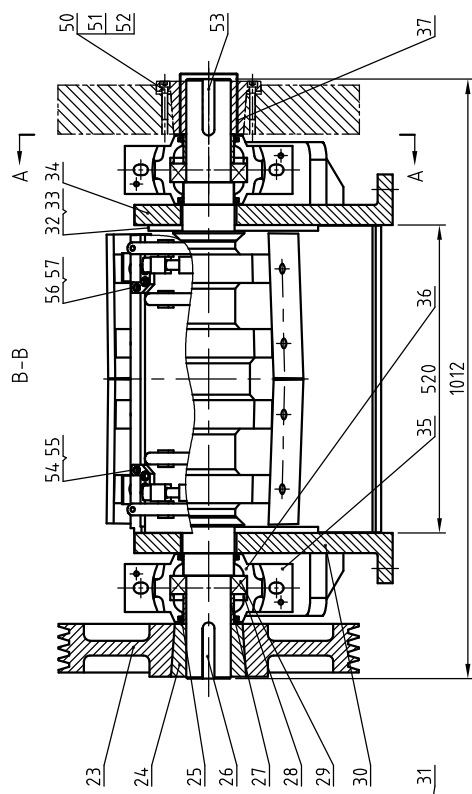
|                     |                                 |                    |             |             |            |      |
|---------------------|---------------------------------|--------------------|-------------|-------------|------------|------|
| Mark                | Before modification             | After modification | Modified by | Modify date | Checked by | Date |
| Version             |                                 |                    |             |             |            |      |
| Approved by         |                                 |                    |             |             |            |      |
| Designer            |                                 |                    |             |             |            |      |
| Drawer              |                                 |                    |             |             |            |      |
| Title               | SG-3650E<br>Granulator assembly |                    |             |             |            |      |
| Drawing NO.         |                                 |                    |             |             |            |      |
| Name                | Material number                 |                    |             |             |            |      |
| Properties          | Num.                            |                    |             |             |            |      |
| Surface requirement | Material                        |                    |             |             |            |      |
| Material number     |                                 |                    |             |             |            |      |

**SHINI**  
信易電熱機械股份有限公司  
Shini Plastics Technologies, Inc.



|    |                 |  |
|----|-----------------|--|
| 13 | YW661224-000000 | Flat washer A, grade GB/T97.1 12(13.5×24×2.5)-Longzine           |
| 12 | YW650120000000  | Standard spring washer GB/T93 12-Longzine                        |
| 11 | YW60126000100   | Hexagon bolt GB/T5783 M12×60-12.9-Longzine                       |
| 10 | YW61150000000   | Inner hexagon cylinder head screw GB/T10.1 M10×150-12.9-Longzine |
| 9  | BW303604-04.910 | Small taper sleeve SG-36-04 948-187 (Q1500-7) After processing   |
| 8  | BW30360304-710  | Small pulley SG-36-03 9187-48 (HT250) After processing           |
| 7  | YR000590000000  | Triangle belt (SVX-900)  |
| 6  | YM102018004-00  | Motor W20 18.5KW180M-4P B3T IE3 4.00/690/460V                    |
| 5  | YW650142000000  | Standard spring washer GB/T93 14-Longzine                        |
| 4  | YW60145000100   | Hexagon bolt GB/T5783 M14×50-12.9-Longzine                       |
| 3  | -               | Motor adjusting plate  |
| 2  | YW661025000000  | Flat washer C GB/T95 10(11×20×2)-Longzine                        |
| 1  | YW611010000000  | Inner hexagon cylinder head screw GB/T10.1 M10×100-12.9-Longzine |

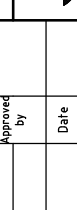
|   |                 |        |            |             |                     |             |                 |                    |                     |             |                    |                     |      |          |  |  |  |  |  |  |  |  |  |  |                  |  |  |  |  |  |  |  |  |  |  |  |  |  |  |  |  |  |  |  |  |  |   |  |  |  |  |  |  |  |  |  |  |
|---|-----------------|--------|------------|-------------|---------------------|-------------|-----------------|--------------------|---------------------|-------------|--------------------|---------------------|------|----------|--|--|--|--|--|--|--|--|--|--|------------------|--|--|--|--|--|--|--|--|--|--|--|--|--|--|--|--|--|--|--|--|--|---|--|--|--|--|--|--|--|--|--|--|
| No.   | Material number | Name   |            |             |                     |             |                 |                    |                     |             |                    |                     |      |          |  |  |  |  |  |  |  |  |  |  |                  |  |  |  |  |  |  |  |  |  |  |  |  |  |  |  |  |  |  |  |  |  |   |  |  |  |  |  |  |  |  |  |  |
| <table border="1"> <tr> <td>Properties</td> <td>Num.</td> </tr> <tr> <td>Surface requirement</td> <td>Material</td> </tr> <tr> <td>Material number</td> <td></td> </tr> </table>  |                 |        | Properties | Num.        | Surface requirement | Material    | Material number |                    |                     |             |                    |                     |      |          |  |  |  |  |  |  |  |  |  |  |                  |  |  |  |  |  |  |  |  |  |  |  |  |  |  |  |  |  |  |  |  |  |   |  |  |  |  |  |  |  |  |  |  |
| Properties  | Num.            |        |            |             |                     |             |                 |                    |                     |             |                    |                     |      |          |  |  |  |  |  |  |  |  |  |  |                  |  |  |  |  |  |  |  |  |  |  |  |  |  |  |  |  |  |  |  |  |  |   |  |  |  |  |  |  |  |  |  |  |
| Surface requirement   | Material        |        |            |             |                     |             |                 |                    |                     |             |                    |                     |      |          |  |  |  |  |  |  |  |  |  |  |                  |  |  |  |  |  |  |  |  |  |  |  |  |  |  |  |  |  |  |  |  |  |   |  |  |  |  |  |  |  |  |  |  |
| Material number   |                 |        |            |             |                     |             |                 |                    |                     |             |                    |                     |      |          |  |  |  |  |  |  |  |  |  |  |                  |  |  |  |  |  |  |  |  |  |  |  |  |  |  |  |  |  |  |  |  |  |   |  |  |  |  |  |  |  |  |  |  |
| <table border="1"> <tr> <td>Title</td> <td>Version</td> <td>Drawer</td> <td>Designer</td> <td>Profrase by</td> <td>Checked by</td> <td>Modify date</td> <td>Modified by</td> <td>After modification</td> <td>Before modification</td> <td>Mark</td> </tr> <tr> <td>SG-3650E</td> <td></td> <td></td> <td></td> <td></td> <td></td> <td></td> <td></td> <td></td> <td></td> <td></td> </tr> <tr> <td colspan="11">Driving assembly</td> </tr> <tr> <td colspan="11"> </td> </tr> <tr> <td colspan="11">           信易電熱機械股份有限公司<br/>           Shini Plastics Technologies, Inc.         </td> </tr> </table> |                 |        | Title      | Version     | Drawer              | Designer    | Profrase by     | Checked by         | Modify date         | Modified by | After modification | Before modification | Mark | SG-3650E |  |  |  |  |  |  |  |  |  |  | Driving assembly |  |  |  |  |  |  |  |  |  |  |  |  |  |  |  |  |  |  |  |  |  | 信易電熱機械股份有限公司<br>Shini Plastics Technologies, Inc. |  |  |  |  |  |  |  |  |  |  |
| Title   | Version         | Drawer | Designer   | Profrase by | Checked by          | Modify date | Modified by     | After modification | Before modification | Mark        |                    |                     |      |          |  |  |  |  |  |  |  |  |  |  |                  |  |  |  |  |  |  |  |  |  |  |  |  |  |  |  |  |  |  |  |  |  |   |  |  |  |  |  |  |  |  |  |  |
| SG-3650E  |                 |        |            |             |                     |             |                 |                    |                     |             |                    |                     |      |          |  |  |  |  |  |  |  |  |  |  |                  |  |  |  |  |  |  |  |  |  |  |  |  |  |  |  |  |  |  |  |  |  |   |  |  |  |  |  |  |  |  |  |  |
| Driving assembly  |                 |        |            |             |                     |             |                 |                    |                     |             |                    |                     |      |          |  |  |  |  |  |  |  |  |  |  |                  |  |  |  |  |  |  |  |  |  |  |  |  |  |  |  |  |  |  |  |  |  |   |  |  |  |  |  |  |  |  |  |  |
|   |                 |        |            |             |                     |             |                 |                    |                     |             |                    |                     |      |          |  |  |  |  |  |  |  |  |  |  |                  |  |  |  |  |  |  |  |  |  |  |  |  |  |  |  |  |  |  |  |  |  |   |  |  |  |  |  |  |  |  |  |  |
| 信易電熱機械股份有限公司<br>Shini Plastics Technologies, Inc.   |                 |        |            |             |                     |             |                 |                    |                     |             |                    |                     |      |          |  |  |  |  |  |  |  |  |  |  |                  |  |  |  |  |  |  |  |  |  |  |  |  |  |  |  |  |  |  |  |  |  |   |  |  |  |  |  |  |  |  |  |  |



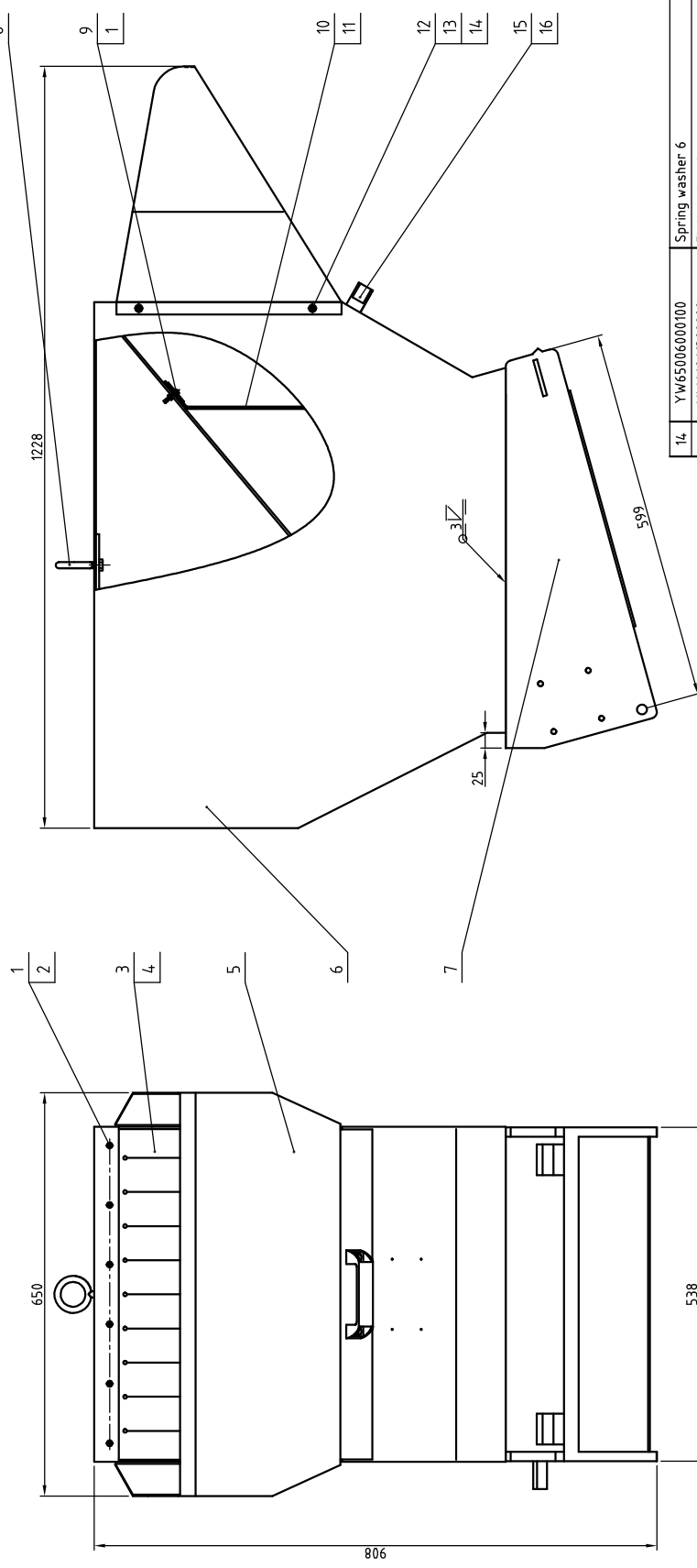
|    |               |   |     |                 |  |
|----|---------------|---|-----|-----------------|--|
| 57 | YW61062500000 | Inner hexagon cylinder head screw GB/T70.1 M6x25-12.9-Longzine  | 28  | BH13360100010   | Bearing thrust ring  |
| 56 | BH10367505610 | Fixed plate right connecting block                              | 27  | BH10364500210   | Shaft sleeve   |
| 55 | YW61081600000 | Inner hexagon cylinder head screw GB/T70.1 M6x16-12.9-Longzine  | 26  | BH10189500010   | Key C20x12x95  |
| 54 | BH10367505510 | Fixed plate left connecting block                               | 25  | YR80215000000   | Oil seal TSN215G   |
| 53 | BH10189500010 | Key C20x12x95   | 24  | BW30003606410   | Large pulley SG-36-353s-75(Assembly)                           |
| 52 | BW30036000010 | Fly wheel sleeve  | 23  | BW30500400710   | Large cone sleeve SG-36-SPB55-00-3555(Black-phosphated)        |
| 51 | YW61124000000 | Inner hexagon cylinder head screw GB/T70.1 M6x40-12.9-Longzine  | 22  | BW30365500110   | Rear box block   |
| 50 | BW30003600110 | Fly wheel   | 21  | BH10365000110   | Rear pressing block  |
| 49 | YW61051200100 | Inner hexagon cylinder head screw GB/T70.1 M5x12-12.9-Longzine  | 20  | BH13650000710   | Tool holder shaft  |
| 48 | BW30364502710 | Side plate check ring   | 19  | BH13650000810   | Moving blade pressing plate                                    |
| 47 | YW61082000200 | Inner hexagon cylinder head screw GB/T70.1 M6x20-12.9-Longzine  | 18  | YW64080600000   | Hexagon nut GB/T1670 M8-Longzine                               |
| 46 | -             | Fixing plate for safety switch 1                                | 17  | YW60082500100   | Hexagon bolt GB/T5183 M8x25-12.9-Longzine                      |
| 45 | BH10369006710 | Lock pin  | 16  | BW40365000710   | Moving blade   |
| 44 | BL55364504020 | Bearing base washer   | 15  | YW65016000000   | Spring washer 16   |
| 43 | BH10169200010 | Feed box connecting pin   | 14  | YW61165500000   | Inner hexagon cylinder head screw GB/T70.1 M6x55-12.9-Longzine |
| 42 | YW09105000000 | Round pin M10x50(GB/T119.1)14.5#steel                           | 13  | BW40365000610   | Fixed plate  |
| 41 | BW31365000110 | Left bearing upper body   | 12  | YW61165000000   | Inner hexagon cylinder head screw GB/T70.1 M6x50-12.9-Longzine |
| 40 | BW31365000010 | Left bearing lower body   | 11  | BH10365000510   | Front pressing block   |
| 39 | YW65014200000 | Standard spring washer GB/T93 14-Longzine                       | 10  | BH10362500010   | Feed box iron hook   |
| 38 | YW61142000000 | Inner hexagon cylinder head screw GB/T70.1 M4x20-12.9-Longzine  | 9   | YW64000600300   | Hexagon nut GB/T1670 M6-Longzine                               |
| 37 | BL55365002220 | Bearing blocking cover plate                                    | 8   | YW60062000100   | Hexagon bolt GB/T5181 M6x20-4.8-Longzine                       |
| 36 | BH11367512710 | Right bearing upper body  | 7   | BH10362600010   | Block  |
| 35 | BH11367512610 | Right bearing lower body  | 6   | YW61167500000   | Inner hexagon cylinder head screw GB/T70.1 M6x75-12.9-Longzine |
| 34 | BW30367518010 | Cutting chamber left side plate                                 | 5   | BH103644502510  | Screen frame iron hook   |
| 33 | YW61104500000 | Inner hexagon cylinder head screw GB/T70.1 M10x45-12.9-Longzine | 4   | BW303655000410  | Front case block   |
| 32 | BL55364501021 | Insert  | 3   | -               | Sealing strip  |
| 31 | BH11365000210 | Screen frame shaft  | 2   | BL55365000220   | Screen   |
| 30 | BW30367502010 | Cutting chamber right side plate                                | 1   | -               | Screen frame assembly  |
| 29 | YW11221500000 | Bearing 22215EAE4   | No. | Material number | Name   |

|                     |             |                          |          |             |
|---------------------|-------------|--------------------------|----------|-------------|
| Drawer              | Version     | Title                    | SG-3650E | Drawing NO. |
| Designer            | Approver    | Cutting chamber assembly |          |             |
| Produce by          | By          |                          |          |             |
| Checked by          | Date        |                          |          |             |
| Modified by         | Modify date |                          |          |             |
| After modification  |             |                          |          |             |
| Before modification |             |                          |          |             |
| Mark                |             |                          |          |             |

信易电热机械股份有限公司  
Shini Plastics Technologies, Inc.



|                     |      |
|---------------------|------|
| Properties          | Num. |
| Material            |      |
| Surface requirement |      |
| Material number     |      |



|    |                 |   |
|----|-----------------|---|
| 14 | YW65006000100   | Spring washer 6                         |
| 13 | YW6600613000000 | Flat washer 6                           |
| 12 | YW61061600300   | Inner hexagon cylinder head screw M6x16 |
| 11 | -               | Baffle plate 4                          |
| 10 | -               | Baffle plate 3                          |
| 09 | YW63051500000   | Cross recessed pan head screw M5x15     |
| 08 | YW09001600000   | Ring M16                                |
| 07 | -               | Feed box base                           |
| 06 | -               | Feed port                               |
| 05 | -               | Feed port                               |
| 04 | -               | Baffle plate 2                          |
| 03 | -               | Baffle plate 1                          |
| 02 | YW61051000200   | Cross recessed pan head screw M5x10     |
| 01 | -               | Baffle plate fixed plate                |

|    |               |   |
|----|---------------|---|
| 16 | YW61082500000 | Inner hexagon cylinder head screw M8x25 |
| 15 | BW20012000140 | Aluminum square handle (120L)           |

|                         |                     |                    |
|-------------------------|---------------------|--------------------|
| No.                     | Material number     | Name               |
| Title SG-3650E Feed box |                     |                    |
| Drawing NO.             |                     |                    |
| Version                 | Designer            | Checked by         |
| Approved by             | Postface by         | Checked by         |
| Date                    | Modify date         | Modify date        |
| Mark                    | Before modification | After modification |

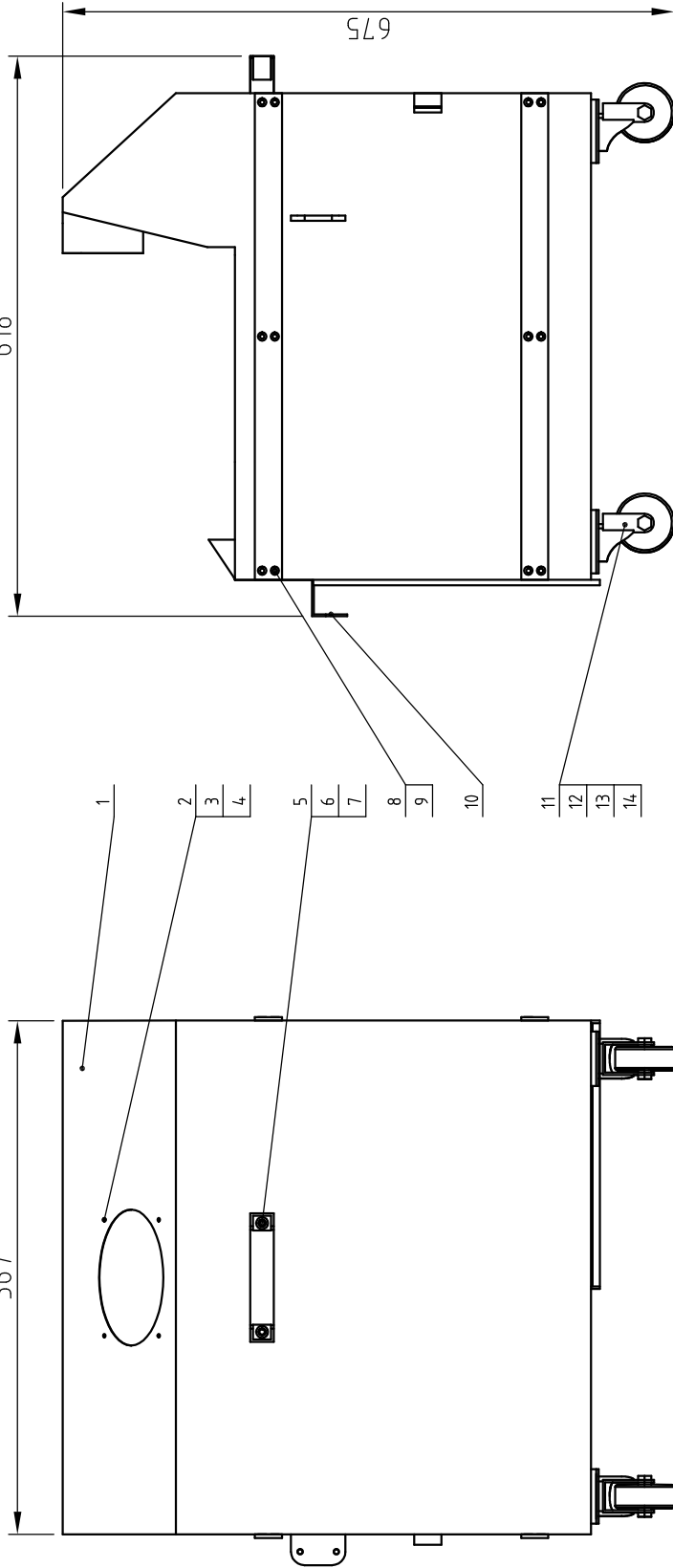


|                     |                 |
|---------------------|-----------------|
| Properties          | Num.            |
| Surface requirement | Material        |
| Material            | Material number |

567

618

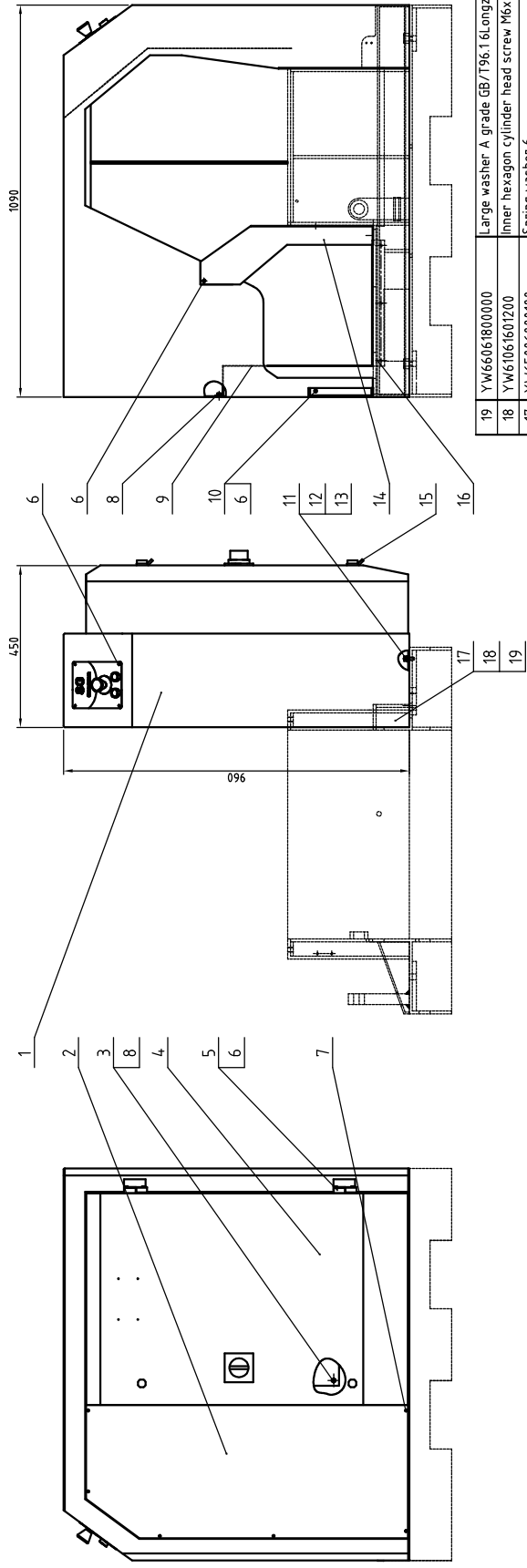
675



|    |               |  |
|----|---------------|--|
| 14 | YW6500600000  | Standard spring washer GB/T93 6-Longzine                             |
| 13 | YW66061300000 | Flat washer A grade GB/T97.1 6.6x2x1.6-Longzine                      |
| 12 | YW62061000000 | Large cross socket flat head screw JIS1111 M6x10-Longzine            |
| 11 | YW03002500000 | Universal castor 2.5"  |
| 10 | -             | Collective storage box blank   |
| 9  | BR90365300010 | Fender   |
| 8  | YW61040600000 | Inner hexagon countersink head screw GB/T703 M4x6-12.9grade-Longzine |
| 7  | YW64000800100 | Hexagon lock nut with non-metallic insert GB/T889.1 M8               |
| 6  | YW61081600000 | Inner hexagon cylinder head screw GB/T701 M8x16-12.9-Longzine        |
| 5  | BW20012000140 | Aluminum square handle (120L)  |
| 4  | YW64040700100 | Hexagon lock nut with non-metallic insert GB/T889.1 M4               |
| 3  | YW62041000000 | Large cross socket flat head screw M4x10                             |
| 2  | BR90365200010 | Sight glass plate  |
| 1  | -             | Collective storage box   |

|                     |                 |                                 |             |                     |          |
|---------------------|-----------------|---------------------------------|-------------|---------------------|----------|
| No.                 | Material number | Name                            | Properties  | Num.                | Material |
| SG-3650F            |                 | Collective storage box assembly |             |                     |          |
| Title               |                 | Version                         | Approved By | Surface requirement |          |
| Drawer              |                 | Designer                        | Postface    | Material number     |          |
| Mark                |                 | After modification              | Modified by | Material number     |          |
| Before modification |                 | Modify date                     | Checked by  | Material number     |          |
| Date                |                 | Checked by                      |             |                     |          |

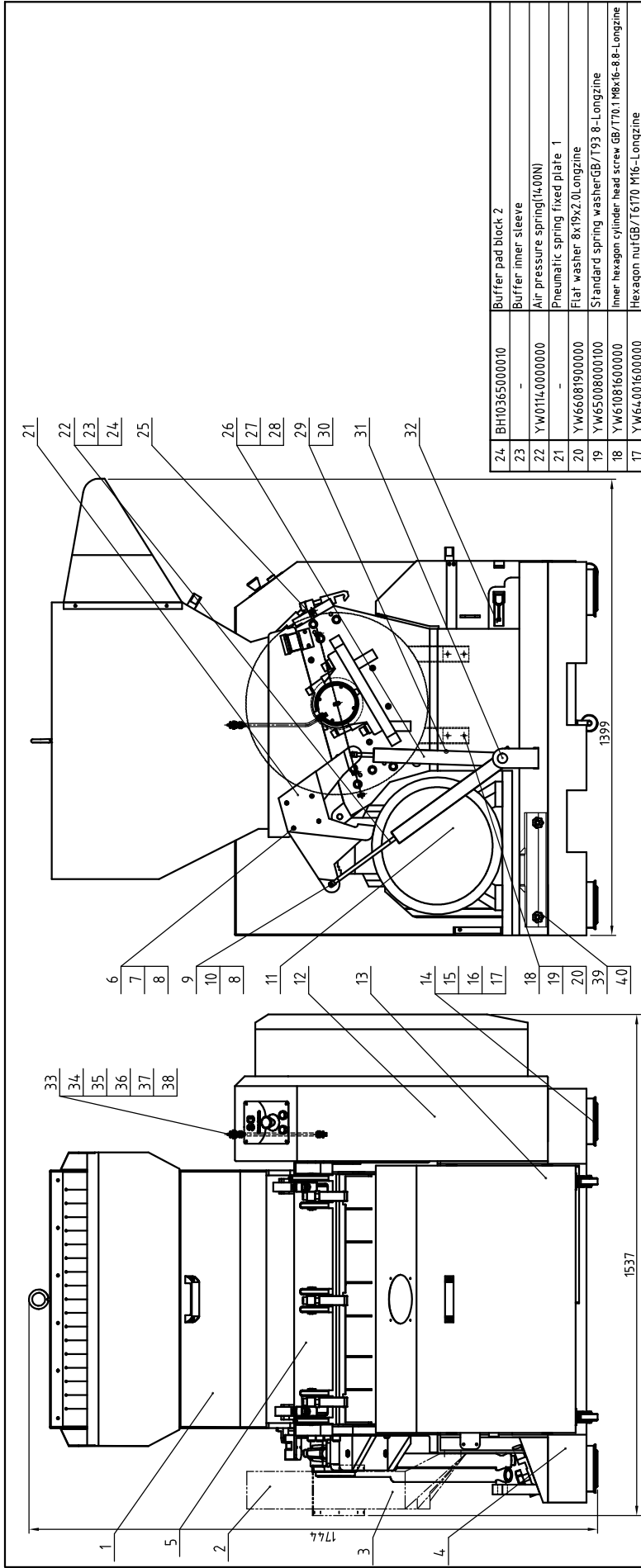
**SHINI**  
信易电热机械股份有限公司  
Shini Plastics Technologies, Inc.



|    |                 |  |
|----|-----------------|--|
| 19 | YW66061800000   | Large washer A grade GB/T96.1 Longzine   |
| 18 | YW61061601200   | Inner hexagon cylinder head screw M6x16  |
| 17 | YW65006000100   | Spring washer 6                          |
| 16 | YW62061000000   | Large cross socket flat head screw M6X10 |
| 15 | YW0008161000000 | Door lock MS816-1                        |
| 14 | -               | Motor guard plate                        |
| 13 | YW66081900000   | Flat washer 8x19x2.0-Longzine            |
| 12 | YW65008000100   | Spring washer 8                          |
| 11 | YW61081600000   | Inner hexagon cylinder head screw M8X16  |
| 10 | -               | Right shell reinforced plate             |
| 9  | -               | Safety screen board 2                    |
| 8  | YW64006000200   | Anti-loose nut M6                        |
| 7  | YW62052500000   | Cross recessed pan head screw M5x25      |
| 6  | YW61051000200   | Cross recessed pan head screw M5x10      |
| 5  | YW06203100200   | Hinge big (L203-1 (right))               |
| 4  | -               | Control box door plate                   |
| 3  | -               | Electrical fixed plate                   |
| 2  | -               | Control box welding drawing              |
| 1  | -               | Right shell                              |

|                   |  |             |  |                     |  |                     |  |
|-------------------|--|-------------|--|---------------------|--|---------------------|--|
| Title             |  | Version     |  | Drawer              |  | Mark                |  |
| SG-3650E          |  |             |  |                     |  | Before modification |  |
| Drawing NO.       |  | Approved By |  | Designer            |  | After modification  |  |
|                   |  |             |  |                     |  | Modify date         |  |
| Shield components |  | Checked by  |  | Produce by          |  | Checked by          |  |
|                   |  |             |  |                     |  |                     |  |
| Date              |  | Date        |  | Date                |  | Date                |  |
|                   |  |             |  |                     |  |                     |  |
| Name              |  | Material    |  | Surface requirement |  | Material number     |  |
|                   |  |             |  |                     |  |                     |  |
| Num.              |  | Material    |  | Surface requirement |  | Material number     |  |
|                   |  |             |  |                     |  |                     |  |

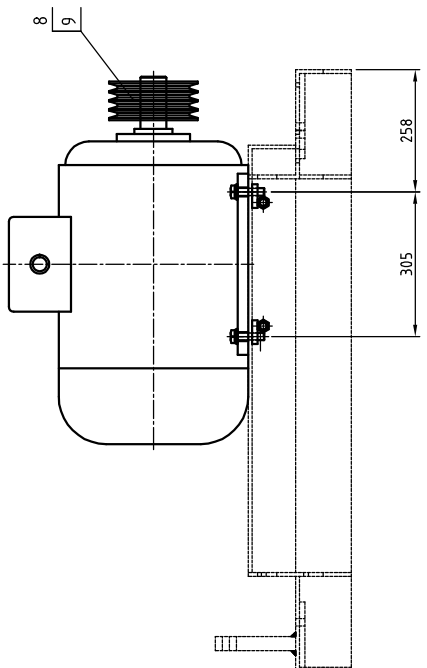
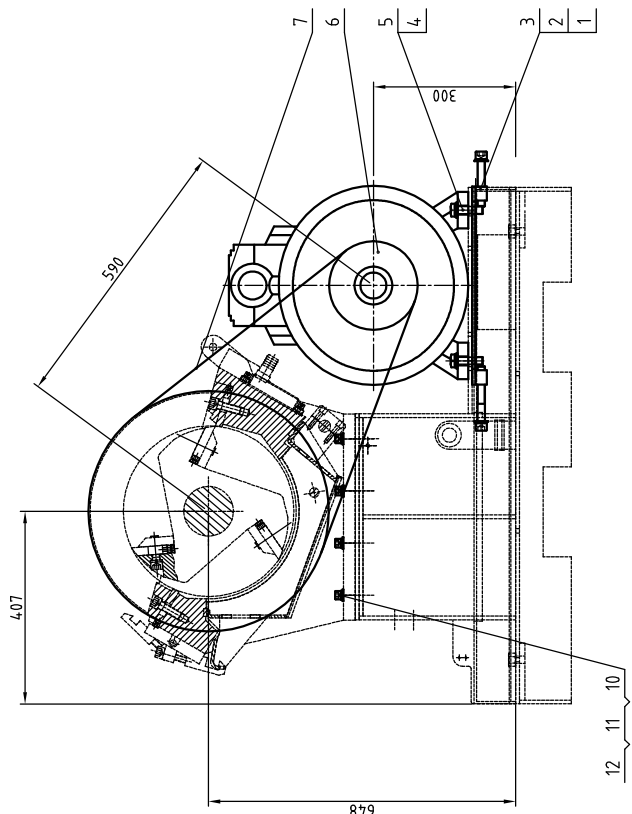
**SHINI**  
 信易電熱機械股份有限公司  
 Shini Plastics Technologies, Inc.



|    |                |  |
|----|----------------|--|
| 40 | YR4-0083500000 | Five star handle type BM8x35                                   |
| 39 | BH10367503010  | Presenting knife jig   |
| 38 | YW040101000000 | Oil nozzle M10x1   |
| 37 | BH12000301010  | Copper trumpet nut 3"  |
| 36 | BH10360100010  | Oil pipe nut   |
| 35 | BH10361100010  | 3/8Copper pipe ext. connector                                  |
| 34 | BH12361000010  | 3/8Copper pipe inner connector                                 |
| 33 | BH12367500010  | Oil filling pipe   |
| 32 | YW02003000400  | Spring buckle adjustable                                       |
| 31 | BH10365008010  | Pneumatic spring fixed shaft                                   |
| 30 | YW610880000000 | Inner hexagon cylinder head screw GB/T70.1 M8x80-4.8-Longzine  |
| 29 | BH12360600310  | Screen support pipe  |
| 28 | BH10361600010  | Buffer ext. sleeve   |
| 27 | BH10365007010  | Buffer pad block 1   |
| 26 | YW010900000000 | Air pressure spring(900N)                                      |
| 25 | YW61061600200  | Inner hexagon cylinder head screw GB/T70.1 M6x16-12.9-Longzine |

|    |                |   |
|----|----------------|---|
| 24 | BH10365000010  | Buffer pad block 2  |
| 23 | -              | Buffer inner sleeve   |
| 22 | YW011400000000 | Air pressure spring(1400N)                                      |
| 21 | -              | Pneumatic spring fixed plate 1                                  |
| 20 | YW660819000000 | Flat washer 8x19x2.0Longzine                                    |
| 19 | YW65008000100  | Standard spring washerGB/T93 8-Longzine                         |
| 18 | YW610816000000 | Inner hexagon cylinder head screw GB/T70.1 M8x16-8-Longzine     |
| 17 | YW640016000000 | Hexagon nutGB/T6170 M16-Longzine                                |
| 16 | YW031620000000 | Foot pad  |
| 15 | BH10161800010  | Rod for foot pad  |
| 14 | -              | Foot pad sleeve   |
| 13 | -              | Collective storage box assembly                                 |
| 12 | -              | Shield components   |
| 11 | -              | Driving assembly  |
| 10 | YW640010000100 | Hexagon nutGB/T6170 M10-Longzine                                |
| 9  | YW601359000000 | Inner hexagon flat head screw GB/T70.2 M8x25-12.9-Longzine      |
| 8  | YW661025000000 | Flat washer C grade GB/T95 10(11x20x2)-Longzine                 |
| 7  | YW650100000000 | Standard spring washer GB/T93 10-Longzine                       |
| 6  | YW611030001000 | Inner hexagon cylinder head screw GB/T70.1 M10x30-12.9-Longzine |
| 5  | -              | Cutting chamber assembly  |
| 4  | -              | Base welding part figure  |
| 3  | -              | Fly wheel lower part  |
| 2  | -              | Fly wheel upper part  |
| 1  | -              | Feed box assembly   |

|                     |              |   |           |
|---------------------|--------------|---|-----------|
| Title               |              | Drawing NO.                                       |           |
| SG-3675E            |              |   |           |
| Granulator assembly |              |   |           |
| Version             | Designer     | Checked by  | Date      |
|                     |              |   |           |
| Approved by         | Postcheck by | Modify date                                       | Modify by |
|                     |              |   |           |
| Material number     | Name         | Surface requirement                               | Material  |
|                     |              |   |           |
| SHINI               |              | 信易電熱機械股份有限公司<br>Shini Plastics Technologies, Inc. |           |

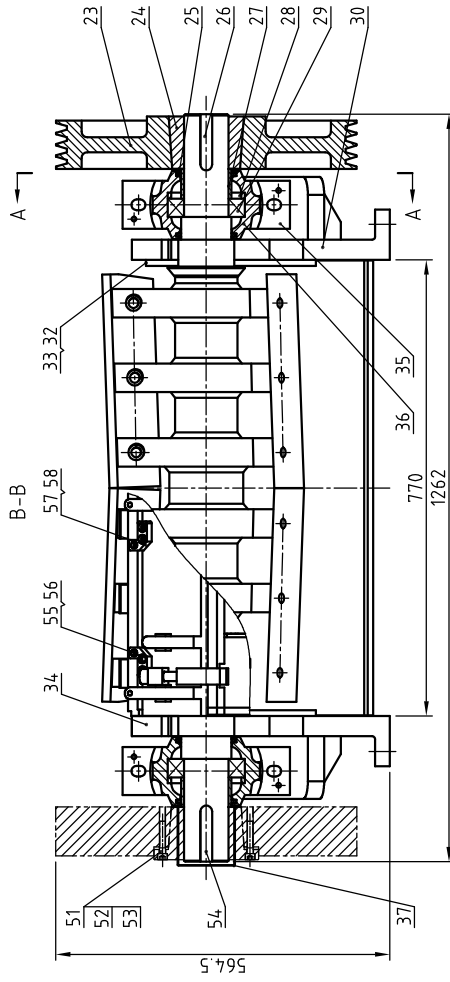
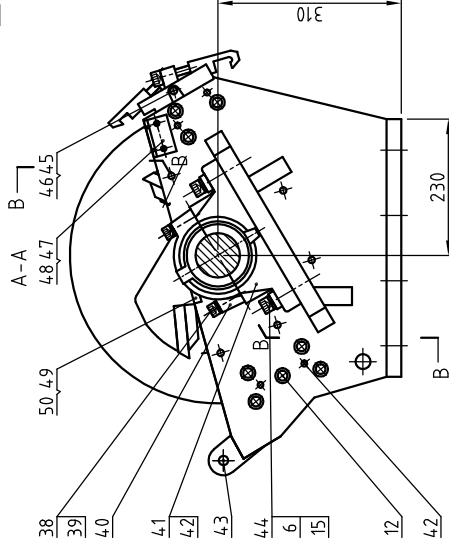
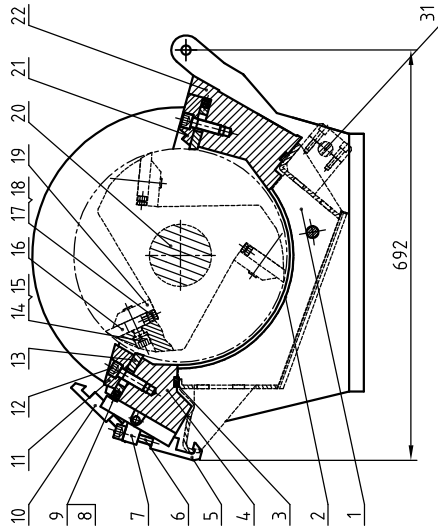


|    |                 |  |
|----|-----------------|--|
| 12 | YW661224.000000 | Flat washer A grade GB/T197.1 12/13.5x2.4x2.5-L-Longzine                     |
| 11 | YW650120.000000 | Standard spring washer GB/T93 12-L-Longzine                                  |
| 10 | YW601260.000100 | Hexagon bolt GB/T5783 M12x60-12.9-L-Longzine                                 |
| 9  | BW3004.7500010  | Small paper sleeve SG-36-04-75 φ95-187 (QT500-7) 加工后                         |
| 8  | BW300375.00010  | Small pulley SG-36-03-75 φ187-55 (HT250) 加工后                                 |
| 7  | YR000590.000000 | Triangle belt (SVXx900)  |
| 6  | YM102030.000400 | Motor W20 30KW-200L-4P B3T IE3 4.00/650/460V                                 |
| 5  | YW650160.000000 | Spring washer 16   |
| 4  | YW601660.000000 | Hexagon bolt GB/T5783 M16x60-12.9-L-Longzine                                 |
| 3  | -               | Motor adjusting plate  |
| 2  | YW661630.000000 | Flat washer A grade GB/T197.1 16-L-Longzine                                  |
| 1  | YW611610.000000 | Inner hexagon cylinder head screw GB/T70.1 M16x100-12.9(full tooth)-Longzine |

|                     |  |                    |  |                     |  |
|---------------------|--|--------------------|--|---------------------|--|
| No.                 |  | Material number    |  | Name                |  |
| Title               |  | Drawing NO.        |  | Properties          |  |
| SG-3675E            |  | Driving assembly   |  | Num.                |  |
| Version             |  | Approved By        |  | Material            |  |
| Designer            |  | Checked By         |  | Surface requirement |  |
| Date                |  | Modify date        |  | Material number     |  |
| Before modification |  | After modification |  | Material number     |  |
| Mark                |  | Modified by        |  | Material number     |  |

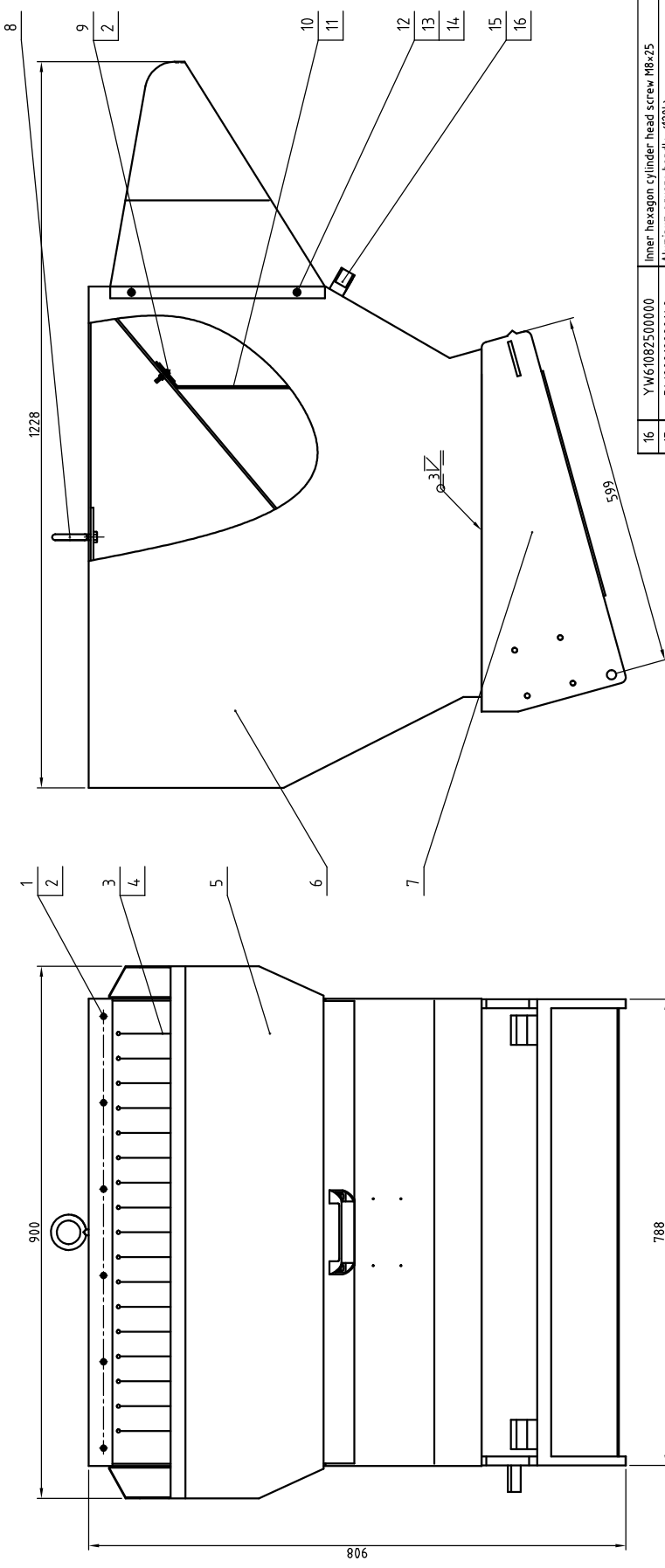
**SHINI**  
 信易電熱機械股份有限公司  
 Shini Plastics Technologies, Inc.





|    |               |   |     |                 |   |
|----|---------------|---|-----|-----------------|---|
| 57 | BH10367505610 | Fixed plate right connecting block                              | 28  | BH13360100010   | Bearing thrust ring   |
| 56 | YW61081600000 | Inner hexagon cylinder head screw GB/T70.1 M8-16-12.9-Longzine  | 27  | BH10364500210   | Shaft sleeve  |
| 55 | BH10367505510 | Fixed plate left connecting block                               | 26  | BH10189500010   | Key C20x12x95   |
| 54 | BH10189500010 | Key C20x12x95   | 25  | YR80215000000   | Oil seal TSN215G  |
| 53 | BW30036000010 | Fly wheel sleeve  | 24  | BW3000360064-0  | Large pulleySG-36-3535-75(Assembly)                                     |
| 52 | YW61260000000 | Inner hexagon cylinder head screw GB/T70.1 M16x40-12.9-Longzine | 23  | BW30500400710   | Large cone sleeveSG-36-SPB500-04-3538(Black,phosphated)                 |
| 51 | BW30003600010 | Fly wheel   | 22  | BW30367514010   | Rear box block  |
| 50 | BW30364502710 | Side plate chert ring   | 21  | BH10367513010   | Tool holder shaft   |
| 49 | YW61051200100 | Inner hexagon cylinder head screw GB/T70.1 M5x12-12.9-Longzine  | 20  | BH1367512010    | Moving blade pressing plate   |
| 48 | YW61082000200 | Inner hexagon cylinder head screw GB/T70.1 M8x20-8.8-Longzine   | 19  | BH1367511010    | Hexagon nut GB/T6170 M8-Longzine  |
| 47 | -             | Fixing plate for safety switch 1                                | 18  | YW64080600000   | Hexagon bolt GB/T15183 M8-25-12.9-Longzine                              |
| 46 | BL55369001421 | Middle hook pin   | 17  | YW60082500100   | Moving blade  |
| 45 | BH10369006710 | Hook pin  | 16  | BW42367510010   | Spring washer 16  |
| 44 | BL55364504020 | Bearing base washer   | 15  | YW65016000000   | Inner hexagon cylinder head screw GB/T70.1 M6x55-12.9-Longzine          |
| 43 | BH10469200010 | Feed box connecting pin   | 14  | YW61165500000   | Fixed plate   |
| 42 | YW09105000000 | Round pin M10x50 GB/T119 1/4.5# steel                           | 13  | BW42367509010   | Inner hexagon cylinder head screw GB/T70.1 M6x50-12.9-Longzine          |
| 41 | BW31365000110 | Left bearing upper body   | 12  | YW61165000000   | Front pressing block  |
| 40 | BW31365000010 | Left bearing lower body   | 11  | BH10367508110   | Feed box iron hook  |
| 39 | YW65014200000 | Standard spring washer GB/T93 1/4-Longzine                      | 10  | BH10362500010   | Hexagon bolt GB/T15181 M6x20-4.8-Longzine                               |
| 38 | YW61142000000 | Inner hexagon cylinder head screw GB/T70.1 M16x70-12.9-Longzine | 9   | YW60062000100   | Inner hexagon cylinder head screw GB/T70.1 M16x5-12.9thread 15-Longzine |
| 37 | -             | Bearing blocking cover plate                                    | 8   | YW61167500000   | Block   |
| 36 | BH11367512710 | Right bearing upper body  | 7   | BH10362600010   | Inner hexagon cylinder head screw GB/T70.1 M16x5-12.9thread 15-Longzine |
| 35 | BH11367512610 | Right bearing lower body  | 6   | YW61167500000   | Screen frame iron hook  |
| 34 | BW30367518010 | Cutting chamber left side plate                                 | 5   | BH10364502510   | Screen frame iron hook  |
| 33 | YW61104500000 | Inner hexagon cylinder head screw GB/T70.1 M10x45-12.9-Longzine | 4   | BW30367504010   | Front case block  |
| 32 | BL55364501021 | Insert  | 3   | -               | Sealing strip   |
| 31 | BH11367517010 | Screen frame shaft  | 2   | BL55367502020   | Screen frame assembly   |
| 30 | BW30367502010 | Cutting chamber right side plate                                | 1   | -               | Screen frame assembly   |
| 29 | YW11220000000 | Bearing 22215E AE4  | No. | Material number | Name  |

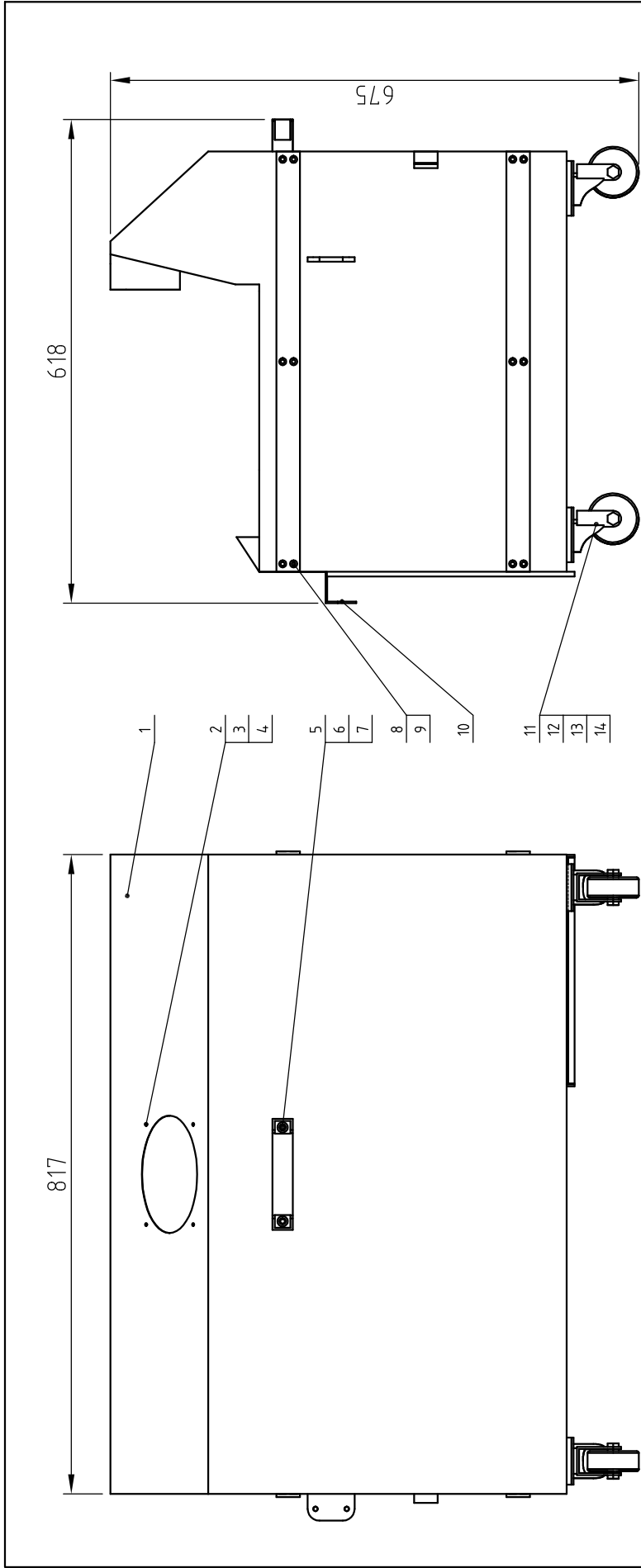
|   |               |  |   |          |             |             |              |      |   |  |  |             |                     |            |                    |  |                 |                     |  |  |  |
|---|---------------|--|---|----------|-------------|-------------|--------------|------|---|--|--|-------------|---------------------|------------|--------------------|--|-----------------|---------------------|--|--|--|
| 58  | YW61062500000 | Inner hexagon cylinder head screw GB/T70.1 M6x25-12.9-Longzine | Title   | SG-3675E | Drawing NO. |             |              |      |   |  |  |             |                     |            |                    |  |                 |                     |  |  |  |
| <table border="1"> <tr> <td>Drawer</td> <td>Version</td> </tr> <tr> <td>Designer</td> <td>Approved by</td> </tr> <tr> <td>Proofread by</td> <td>Date</td> </tr> </table>  |               |  | Drawer  | Version  | Designer    | Approved by | Proofread by | Date | <table border="1"> <tr> <td>Modified by</td> <td>Modify date</td> <td>Checked by</td> </tr> <tr> <td>After modification</td> <td></td> <td></td> </tr> <tr> <td>Before modification</td> <td></td> <td></td> </tr> </table> |  |  | Modified by | Modify date         | Checked by | After modification |  |                 | Before modification |  |  |  |
| Drawer  | Version       |  |   |          |             |             |              |      |   |  |  |             |                     |            |                    |  |                 |                     |  |  |  |
| Designer  | Approved by   |  |   |          |             |             |              |      |   |  |  |             |                     |            |                    |  |                 |                     |  |  |  |
| Proofread by  | Date          |  |   |          |             |             |              |      |   |  |  |             |                     |            |                    |  |                 |                     |  |  |  |
| Modified by   | Modify date   | Checked by   |   |          |             |             |              |      |   |  |  |             |                     |            |                    |  |                 |                     |  |  |  |
| After modification  |               |  |   |          |             |             |              |      |   |  |  |             |                     |            |                    |  |                 |                     |  |  |  |
| Before modification   |               |  |   |          |             |             |              |      |   |  |  |             |                     |            |                    |  |                 |                     |  |  |  |
| <table border="1"> <tr> <td colspan="2">Cutting chamber assembly</td> <td>Properties</td> <td>Num.</td> </tr> <tr> <td colspan="2"></td> <td>Material</td> <td></td> </tr> <tr> <td colspan="2"></td> <td>Surface requirement</td> <td></td> </tr> <tr> <td colspan="2"></td> <td>Material number</td> <td></td> </tr> </table> |               |  | Cutting chamber assembly                          |          | Properties  | Num.        |              |      | Material  |  |  |             | Surface requirement |            |                    |  | Material number |                     |  |  |  |
| Cutting chamber assembly  |               | Properties   | Num.  |          |             |             |              |      |   |  |  |             |                     |            |                    |  |                 |                     |  |  |  |
|   |               | Material   |   |          |             |             |              |      |   |  |  |             |                     |            |                    |  |                 |                     |  |  |  |
|   |               | Surface requirement  |   |          |             |             |              |      |   |  |  |             |                     |            |                    |  |                 |                     |  |  |  |
|   |               | Material number  |   |          |             |             |              |      |   |  |  |             |                     |            |                    |  |                 |                     |  |  |  |
|   |               |  | 信易电热机械股份有限公司<br>Shini Plastics Technologies, Inc. |          |             |             |              |      |   |  |  |             |                     |            |                    |  |                 |                     |  |  |  |



|    |               |  |
|----|---------------|--|
| 16 | YW61082500000 | Inner hexagon cylinder head screw M8x25  |
| 15 | BW2002000140  | Aluminum square handle (120L)            |
| 14 | YW65006000100 | Spring washer 6                          |
| 13 | YW66061300000 | Flat washer 6                            |
| 12 | YW61061600300 | Inner hexagon cylinder head screw M6x16  |
| 11 | -             | Baffle plate 4                           |
| 10 | -             | Baffle plate 3                           |
| 09 | YW62051500000 | Large cross socket flat head screw M5x16 |
| 08 | YW09001600000 | Ring M16                                 |
| 07 | -             | Feed box base                            |
| 06 | -             | Feed box                                 |
| 05 | -             | Feed port                                |
| 04 | -             | Baffle plate 2                           |
| 03 | -             | Baffle plate 1                           |
| 02 | YW61051000200 | Cross recessed pan head screw M5x10      |
| 01 | -             | Baffle plate fixed plate                 |

|                            |                 |                     |
|----------------------------|-----------------|---------------------|
| No.                        | Material number | Name                |
| Title SG-3675E Drawing NO. |                 |                     |
| Feed box                   |                 |                     |
| Drawn                      | Version         | Num.                |
| Designer                   | Approved By     | Material            |
| Produce by                 | Date            | Surface requirement |
| Checked by                 |                 | Material number     |
| Modify date                |                 |                     |
| Modified by                |                 |                     |
| After modification         |                 |                     |
| Before modification        |                 |                     |
| Mark                       |                 |                     |

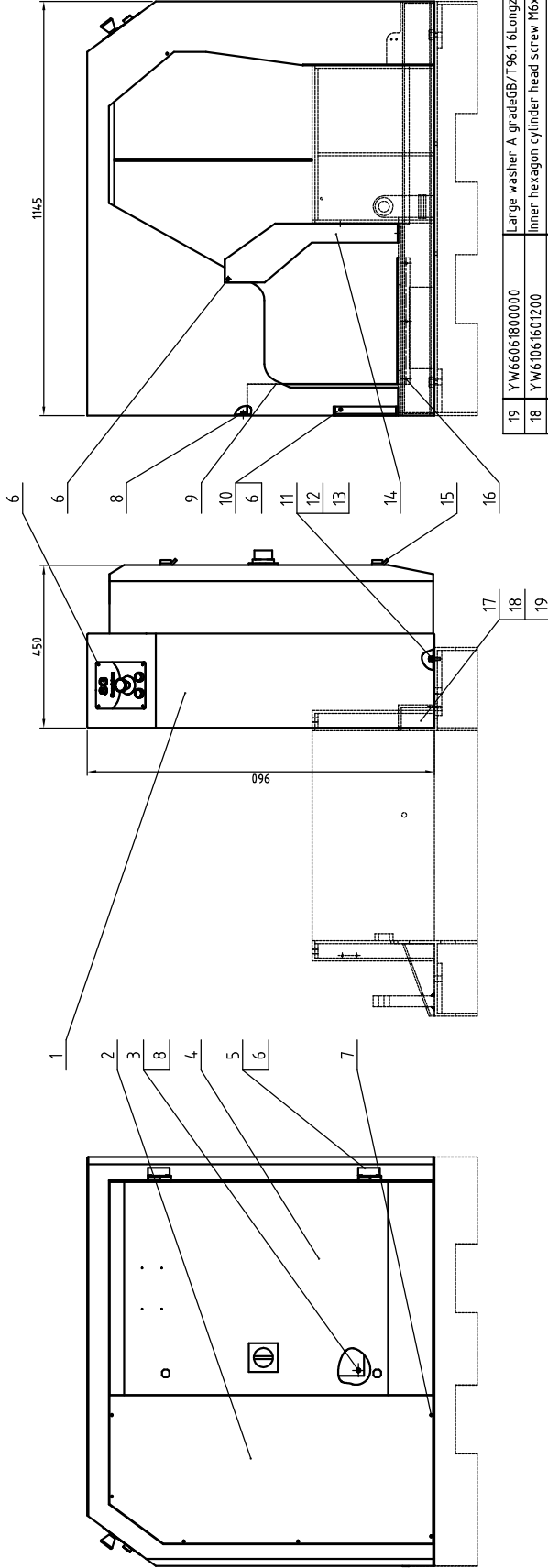
**SHINI**  
 信易電熱機械股份有限公司  
 Shini Plastics Technologies, Inc.



|    |               |  |
|----|---------------|--|
| 14 | YW65006000100 | Standard spring washer GB/T93 6-Longzine                             |
| 13 | YW66061300000 | Flat washer A grade GB/T97.1 6(6x12x16)-Longzine                     |
| 12 | YW62061000000 | Large cross socket flat head screw JIS1111 M6x10-Longzine            |
| 11 | YW03002500000 | Universal castor 2.5"  |
| 10 | -             | Collective storage box blank   |
| 9  | BR90365300010 | Fender   |
| 8  | YW61040600000 | Inner hexagon countersunk head screw GB/T10.3 M4x-12.9grade-Longzine |
| 7  | YW64000800100 | Hexagon lock nut with non-metallic insert GB/T899.1 M8               |
| 6  | YW61081600000 | Inner hexagon cylinder head screw GB/T70.1 M8x16-12.9-Longzine       |
| 5  | BW20012000140 | Aluminum square handle (120L)  |
| 4  | YW64040700100 | Hexagon lock nut with non-metallic insert GB/T899.1 M4               |
| 3  | YW62041000000 | Large cross socket flat head screw JIS1111 M4x10-Longzine            |
| 2  | BR90365200010 | Sight glass plate  |
| 1  | -             | Collective storage box   |

|   |                 |          |
|---|-----------------|----------|
| No.   | Material number | Name     |
| SG-3675E<br>Collective storage box assembly |                 |          |
| Properties                                  | Num.            | Material |
| Surface requirement                         |                 |          |
| Material number                             |                 |          |

|   |                     |                    |             |             |   |      |
|---|---------------------|--------------------|-------------|-------------|---|------|
| Mark  | Before modification | After modification | Modified by | Modify date | Checked by                                  | Date |
| Mark  |                     |                    |             |             |   |      |
| Drawer  | Designer            | Produce            | Approved by | Version     | Title                                       |      |
|   |                     |                    |             |             | SG-3675E<br>Collective storage box assembly |      |
|   |                     |                    |             |             |   |      |
| 信易电热机械股份有限公司<br>Shini Plastics Technologies, Inc. |                     |                    |             |             |   |      |



|    |                |  |
|----|----------------|--|
| 19 | YW66061800000  | Large washer A gradeGB/T196.1 6Llongzine |
| 18 | YW61061601200  | Inner hexagon cylinder head screw M6x16  |
| 17 | YW65006000100  | Spring washer 6                          |
| 16 | YW61061200000  | Inner hexagon cylinder head screw M6X12  |
| 15 | YW000816100000 | Door lock MS816-1                        |
| 14 | -              | Motor guard plate                        |
| 13 | YW66081600000  | Flat washer 8                            |
| 12 | YW65008000100  | Spring washer 8                          |
| 11 | YW61081600000  | Inner hexagon cylinder head screw M8X16  |
| 10 | -              | Right shell reinforced plate             |
| 9  | -              | Safety screen board 2                    |
| 8  | YW64000600200  | Anti-loose nut M6                        |
| 7  | YW62052500000  | Cross recessed pan head screw M5x25      |
| 6  | YW61051000200  | Cross recessed pan head screw M5x10      |
| 5  | YW06203100200  | Hinge big (L203-1 (right))               |
| 4  | -              | Control box door plate                   |
| 3  | -              | Electrical fixed plate                   |
| 2  | -              | Control box welding drawing              |
| 1  | -              | Right shell                              |

|                     |  |                     |  |                     |  |                     |  |
|---------------------|--|---------------------|--|---------------------|--|---------------------|--|
| Title               |  | Version             |  | Drawer              |  | Mark                |  |
| SG-3675E            |  |                     |  |                     |  | Before modification |  |
| Shield components   |  | Designer            |  | Designer            |  | After modification  |  |
|                     |  | Approved by         |  | Checked by          |  | Modified by         |  |
|                     |  | Date                |  | Date                |  | Date                |  |
| Material            |  | Material            |  | Material            |  | Material            |  |
| Surface requirement |  | Surface requirement |  | Surface requirement |  | Surface requirement |  |
| Material number     |  | Material number     |  | Material number     |  | Material number     |  |
| Name                |  | Name                |  | Name                |  | Name                |  |
| Drawing NO.         |  | Drawing NO.         |  | Drawing NO.         |  | Drawing NO.         |  |
| Material number     |  | Material number     |  | Material number     |  | Material number     |  |
| No.                 |  | No.                 |  | No.                 |  | No.                 |  |

**SHINI**  
 信易電熱機械股份有限公司  
 Shini Plastics Technologies, Inc.