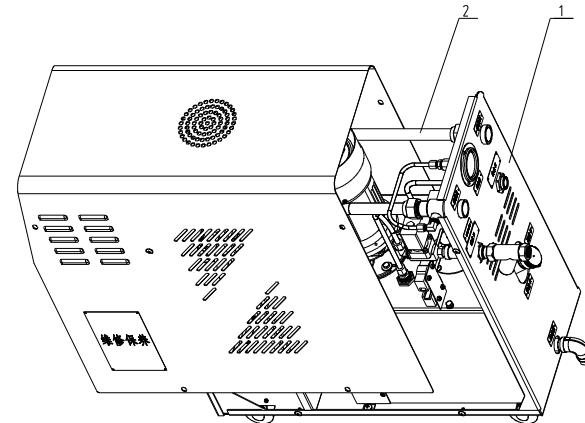
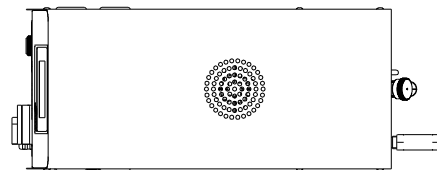
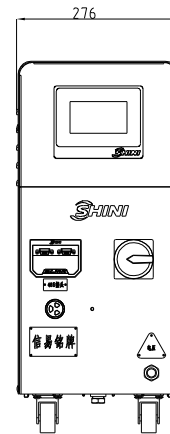
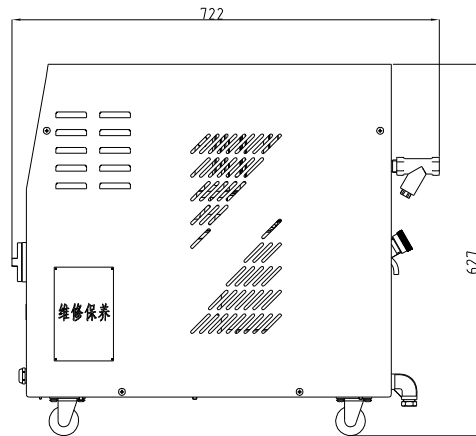


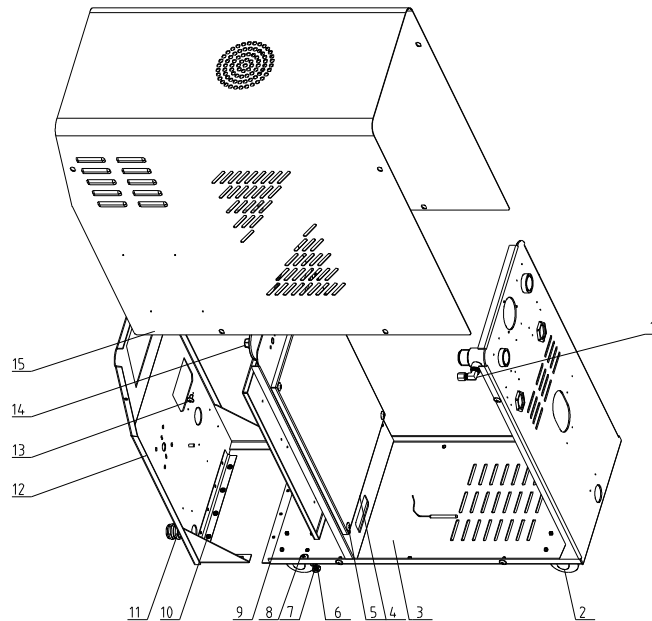
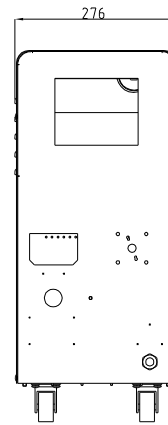
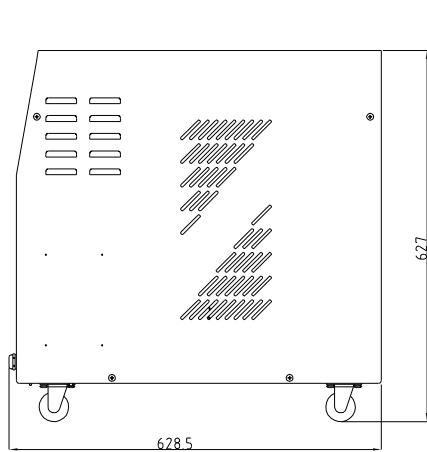
47KG	9KW	G
重量	功率	版本



Name

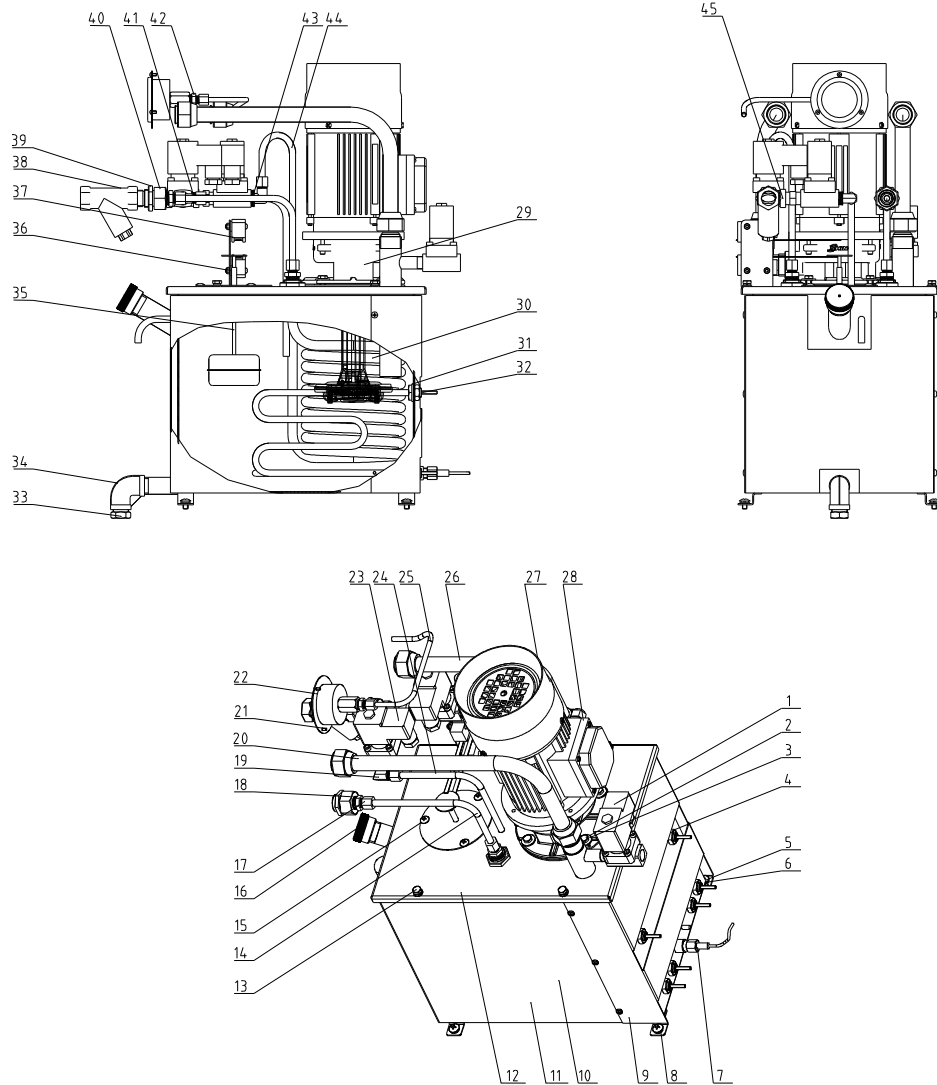
2	STM-907W/0-B-ALL	Inner structure		1	welding parts
1	STM-907W/0-A-ALL	Shell metal plate		1	
No.	Material number	Name	Mat	Num	Remarks

					制图		版号		标题	STM-907W/0	图号	STM-907W/0-ALL	比例	1:8	数量	1
					设计		核准			水油两用模温机					材质	
					校对										表面要求	
标记	更改前	更改后	更改人	日期	审核		日期			SHINI 信易电热机械股份有限公司 Shini Plastics Technologies, Inc.					物料号	



15	STM-907W/O-A-04	Cover plate	SPCC12	1	
14	BH90115000150	Assembly EGO		1	Without plastic protective box
13	YW62051000100	Large cross recessed flat head screw M5x10	Q235A	8	JIS1111
12	STM-907W/O-A-02	Door plank		1	Welding parts
11	YE67201500200	Copper plated nickel cable lock head	H62	1	For cable 4.0x4C/5C.25x5C
10	YW67040600600	Cross socket pan head tapping lock screw M4x6	Q235A	4	GB6560
9	STM-907W/O-A-03	Elec bottom plate	SECC15	1	
8	YW62061000000	Large cross recessed flat head screw M6x10	SUS304	18	JIS1111
7	YW66061300000	Flat washer A grade 6	Q235A	18	GB/T97.116.6x12x1.6)
6	YW65060000000	Standard spring washer 6	65Mn	16	GB/T93
5	YW62061500000	Large cross recessed pan head screw M6x15	Q235A	8	JIS1111
4	STM-907W/O-A-05	Control box thermal insulated plate	5A02-1.0	1	
3	STM-907W/O-A-01	Rack		1	Welding parts
2	YW03000200000	Castor	Rubber	4	2" without brake 35KG
1	YW05061400100	Sleeve connector		1	6MMX1/4"PT L type(H59)
No.	Material number	Name	Mat	Num	Remarks

					制图	版号	标题	图号	比例	数量
					设计	核准	STM-907W/O	STM-907W/O-A-ALL		材质
					校对		外壳钣金			
标记	更改前	更改后	更改人	日期	审核	日期	信易电热机械股份有限公司 Shini Plastics Technologies, Inc.		表面要求	物料号



45	YW5203080000	3/16" stainless steel 3-way	SUS304	1	
44	STM-907W/O-B-10	Cooling wafer inlet pipe	SUS304	1	
43	YW05081200500	Sleeve connector		1	8MMX1/2"PT LH59
42	YW05061400000	Sleeve connector		1	6MMX1/4"PT(H59)
41	S-07	Copper coupler	H58	2	3/8"PT×3/8"PT
40	STM-907W/O-B-15	Water inlet connector	H58	1	
39	S-136	Copper connector	H58	4	thread M22x15
38	YW57010200000	Y-type filter valve	H62	1	1/2"PT 30-35 mesh
37	YE14152400000	Micro switch		2	LXW5-1124 rod L:100mm
36	S-109	Level sensor insulated washer	Nomex	4	Made by aramid fiber (has mould)
35	STM-907W/O-B-09	Float ball		1	For welding parts borrowed
34	YW53001200100	Stainless steel wire elbow	SUS304	1	1/2"PT
33	BH12010200510	Hopper bottom screw	H62	1	1/2"PT
32	STM-907W/O-B-02	Pipe heater welding parts		3	Welding parts
31	STM-907W/O-B-14	Pipe heater washer	Nomex	6	
30	STM-907W/O-B-04	Cooling pipe		1	Welding parts
29	YW04030400000	3/4PT to 3/4H connector L	H58	1	
28	VP-55	Vertical pump	Cu	1	
27	STM-907W/O-B-12	Motor guide air ring	SPCC12	1	
26	YW59343300000	Special soft Teflon pipe 1/2" x33CM		1	
25	STM-907W/O-B-13	Pressure gauge pipe	SUS304	1	
24	STM-907W/O-B-07	Make-up pipe	SUS304	1	
23	YE32382400000	Solenoid valve 24V		3	3/8PT (Kai Ling)
22	YW85191000100	Pressure gauge -1"9KG		1	
21	YW63030600000	Cross socket pan head screw M3x6	Q235A	3	GB/T-823
20	YW59344200000	Special soft Teflon pipe 1/2" x42CM		1	
19	YW05083800100	Sleeve connector		1	8MMX3/8"PT L-type(H59)
18	STM-907W/O-B-08	Exhaust connector	H58	1	
17	YW05083800000	Sleeve connector		3	8MMX3/8"PT (H59)
16	S-30	Alu. oil cap	YL-112	1	3/4" inner thread
15	YW62051000100	Large cross recessed pan head screw M5x10	Q235A	3	JIS1111
14	STM-907W/O-B-11	Cooling water outlet pipe	SUS304	1	
13	YW60061000000	Hex. bolt M6x10	12.9	4	GB/T5781
12	STM-907W/O-B-03	Oil water tank cover plate welding parts		1	For welding parts
11	STM-907W/O-B-06	Oil water tank cover plate 2	5A02-1.0	1	
10	STM-907W/O-B-01	Oil water tank		1	For welding parts
9	STM-907W/O-B-05	Oil water tank cover plate 1	5A02-1.0	1	
8	YW66061300000	Flat washer A grade 6	Q235A	8	GB/T97.1(6×12×1.6)
7	BE90341500050	Thermocouple	SUS304	1	1.5M
6	YW65060000000	Standard spring washer 6	65Mn	8	GB/T93
5	YW62061000000	Large cross recessed flat head screw M6x10	SUS304	4	JIS1111
4	YW60012603000	Hex. film nut M12 Thickness 6MM	Q235A	6	
3	YW66061800000	Large washer A grade	Q235A	4	GB/T96 1(6×18×1.5)
2	YW60061500100	Hex. bolt M6×16	12.9	4	GB/T5783
1	YR10060700000	Pump fastener ring	Si	1	
No.	Material number	Name	Mat.	Num.	Remarks

					制图	版号
					设计	核准
					校对	
标记	更改前	更改后	更改人	日期	审核	日期

标题	STM-907W/O	图号	STM-907W/O-B-ALL	比例	数量
	内部结构				材质
	SHINI 信易电热机械股份有限公司 Shini Plastics Technologies, Inc.			表面要求	
				物料号	