

Accessories



Refer carefully to the manual before operation.

Accessories



Air Filter

Effectively filters up to 99% of dust contained air discharged from the dryer to avoid air contamination.

Model	Hopper diameter	Overall height	Applied to	mount size	
				A	B
ADC-1	145mm/ 5.7"	656mm/ 25.8"	SEHD-12	Ø65	4xØ7EQS
ADC-2	205mm/ 8.1"	728mm/ 28.5"	SEHD-25-150	Ø95	4xM6EQS
ADC-3	146mm/ 5.7"	1024mm/ 40.3"	SEHD-200-1000	Ø160	4xM6.5EQS

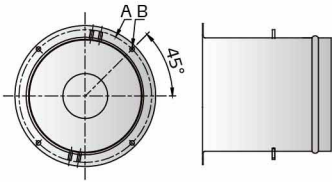
Hopper Magnet

Attract metal fragment in the material to avoid damaging the equipment.



Model	Aluminum Holder x2 (mm/inch)
MR-5	(148x80x2.3) mm (5.8x3.1x0.1) inch
MR-7	(190x80x2.3) mm (7.5x3.1x0.1) inch
MR-9	(240x80x2.3) mm (9.4x3.1x0.1) inch

Blower Inlet Filter



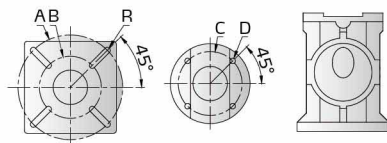
Model	Hopper diameter	Overall height	Applied to	mount size	
				A	B
AIF-12	157mm /6.2"	195mm /7.7"	SEHD-12	Ø165	4xØ7EQS
AIF-25	157mm /6.2"	195mm /7.7"	SEHD-25	Ø174.5	4xØ7EQS
AIF-50	177mm /7.0"	201mm /7.9"	SEHD-50/75	Ø207	4xØ7EQS
AIF-100	219mm /8.6"	191mm /7.5"	SEHD-100/150	Ø244	6xØ7EQS
AIF-200	249mm /9.8"	268mm /10.6"	SEHD-200-300	Ø283	6xØ7EQS
AIF-600	221mm /9.0"	380mm /15.0"	SEHD-400-600	Ø255	6xØ7EQS
AIF-800	221mm /9.0"	380mm /15.0"	SEHD-800-1000	Ø255	6xØ7EQS

Notes: refill air input of the blower is adjustable.

Magnetic Base

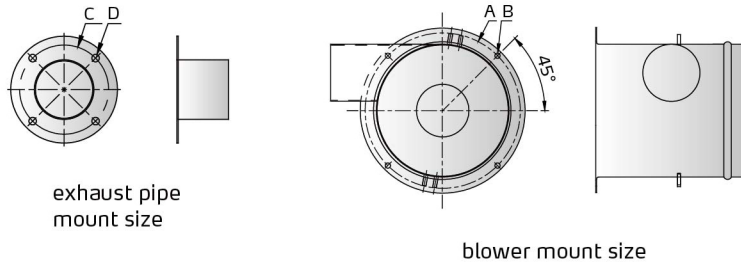
Optional with hopper magnet, it can effectively attract metal fragment in the material, which avoids material contamination and damaging the equipments (SEHD-200 and above models are standard equipped with the magnetic base).

Note: For stainless steel models, add "U" at the end of the model code.



Model	Applied to	Magnetic Frame	Overall height (mm/inch)	Aluminum Holderx2 (mm/inch)	mount size	
					C	D
MB-12	SEHD-12 SHD-20U	MR-3	193/7.6	88.5x78x2.3/ 3.5x3.0x0.09	Ø140	4xØ9EQS
MB-20U	SHD-20U		193/7.6		Ø140	4xØ9EQS
MB-50	SEHD-25-75 SHD-40U-120U		231/9.1		Ø140	4xØ9EQS
MB-40U	SHD-40U-120U		283/11.1		Ø140	4xØ9EQS
MB-100	SEHD-100-300 SHD-160U-450U		193/7.6	119x105x2.3/ 4.7x4.1x0.09	Ø212	4xØ11EQS
MB-160U	SHD-160U-450U		193/7.6		Ø210	4xØ11EQS
MB-400	SEHD-400~600		231/9.1	147x130x2.3/ 5.8x5.1x0.09	Ø260	4xØ13EQS
MB-600U	SHD-600U-750U		288/11.3		Ø260	4xØ13EQS

Hot Air Recycler



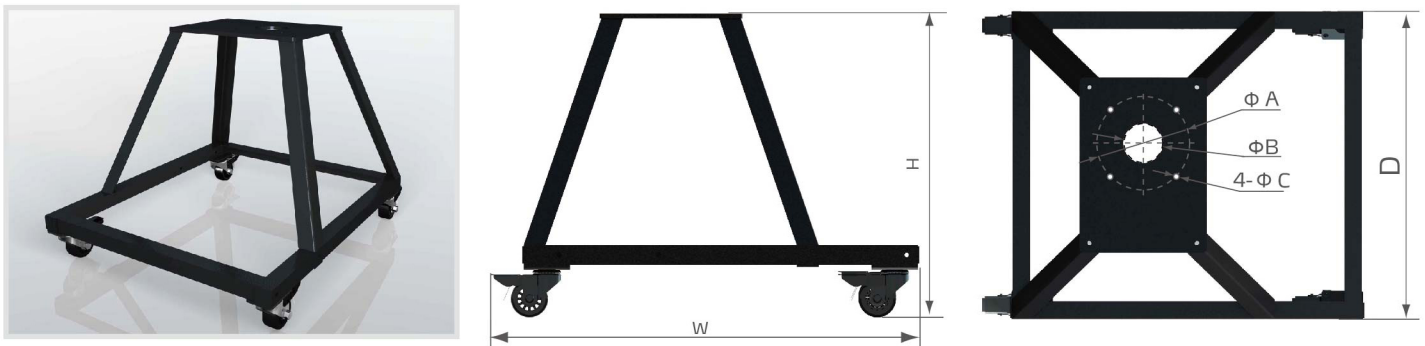
Work with SEHD hopper dryer to make the hot air form a semi-closed circulated loop and has features as follows:

- 1) Hot air recycling and reduction of hot air discharge
- 2) Avoid air contamination of production and ensure clean air intake.
- 3) Lower energy consumption by 40%.

Model	Filtering Barrel Dia. (mm/inch)	Inlet Air Pipe Dia. (inch)	Flange of Air Outlet (inch)	Applied to	mount size			
					A	B	C	D
HAR-12	157/6.2	2		SEHD-12	Ø165	4×Ø7EQS	Ø65	4×Ø7EQS
HAR-25EH	157/6.2	2.5		SEHD-25	Ø174.5	4×Ø7EQS	Ø95	4×Ø7EQS
HAR-50EH	175/6.9	3		SEHD-50/75	Ø207	4×Ø7EQS	Ø95	4×Ø7EQS
HAR-100EH	219/8.6	3		SEHD-100/150	Ø244	4×Ø7EQS	Ø95	4×Ø7EQS
HAR-200EH	245/9.6	4		SEHD-200~300	Ø283	6×Ø6EQS	Ø160	4×Ø8EQS
HAR-600EH	245/9.6	4		SEHD-400~600	Ø283	6×Ø6EQS	Ø160	4×Ø8EQS
HAR-800	245/9.6	4		SEHD-800~1000	Ø283	6×Ø6EQS	Ø160	4×Ø8EQS

N-Type Floor Stand

With which machines can be easily moved out of workplace which is suitable for the factories with height limited workshops and also it can make operations more convenient. The N-type floor stand can replace any machine that is applicable to the SEHD series.



Model	Applied to	Dimension H×W×D (mm/inch)	A / B / C (mm/inch)
FSN-50	SEHD-12~75	600×700×640 / 23.6×27.6×25	140 / 54 / 9 5.5 / 2.1 / 0.4
FSN-100	SEHD-100/150	615×800×710 / 24.2×31.5×28	210 / 90 / 11 8.3 / 3.5 / 0.43
FSN-200	SEHD-200/300	680×1000×840 / 26.8×39.4×33	210 / 90 / 11 8.3 / 3.5 / 0.43
FSN-400	SEHD-400~600	700×1200×1010 / 27.6×47.2×39.8	260 / 116 / 13 10.2 / 4.6 / 0.5
FSN-800	SEHD-800/1000	700×1600×1180 / 27.6×63×46.5	260 / 116 / 13 10.2 / 4.6 / 0.5

Floor Stand

Convert dryers into portable unit or work with a height limitation workshop.

Applicable to SHD-U series.



Applicable to SHD-20U-750U

Model	Applied to	Dimension					
		L		W		H	
		mm	inch	mm	inch	mm	inch
FSU-20	SHD-20U	550	21.7	450	17.7	790	31.1
FSU-40	SHD-40U	580	22.8	450	17.7	790	31.1
FSU-80	SHD-80U/120U	722	28.4	552	21.7	840	33
FSU-160	SHD-160U/230U	795	31.3	652	25.7	920	36.2
FSU-300	SHD-300U/450U	930	36.6	790	31.1	970	38.2
FSU-600	SHD-600U/750U	1200	47.2	1000	39.4	1130	44.5

Blower Inlet Filter

Effectively filters up to 80% of the dust from the air intake to the dryer contamination.



Model	Filter Barrel Dia.		Air Inlet Pipe Dia. (inch)	Air Outlet Pipe Dia. (inch)	Applied to	Blower Flange (with Air Quantity Adjustor)
	mm	Inch				
AIF-20U	127	5	1.5	2	SHD-20U	for 0.12kW Blower
AIF-40U	127	5	1.5	2	SHD-40U	for 0.12kW Blower
AIF-80U	225	8.9	2	3	SHD-80U/120U	for 0.12kW Blower
AIF-160U	225	8.9	2.5	3	SHD-160U/230U	for 0.12kW Blower
AIF-300U	225	8.9	2.5	4	SHD-300U/450U	for 0.18kW Blower
AIF-600U	225	8.9	3	4	SHD-600U/750U	for 0.55kW Blower
AIF-900U	225	8.9	4	4	SHD-900U	for 0.55kW Blower
AIF-1200U	225	8.9	4	4	SHD-1200U	for 1.1kW Blower
AIF-1500U	280	11	5	5	SHD-1500U/2000U	for 3.7kW Blower
AIF-2500U	340	13.4	8	8	SHD-2500U/3500U	for 5.5/7.5kW Blower
AIF-4000U	340	13.4	8	8	SHD-4000U/5000U	for 7.5/11kW Blower
AIF-6000U	420	16.5	8	8	SHD-6000U/7000U	for 15/18.5kW Blower
AIF-8000U	420	16.5	10	10	SHD-8000U	for 22kW Blower

Hot Air Recycler

It forms a semi-closed loop, which filters and recycles return hot air from drying hopper. It also reduces energy consumption up to 40%.



Model	Filter Barrel Dia.		Air Inlet Pipe Dia. (inch)	Air Outlet Pipe Dia. (inch)	Applied to	Blower Flange (with Air Quantity Adjustor)
	mm	Inch				
HAR-20U	127	5	1.5	2	SHD-20U	for 0.12kW Blower
HAR-40U	127	5	1.5	2	SHD-40U	for 0.12kW Blower
HAR-80U	225	8.9	2	3	SHD-80U / 120U	for 0.12kW Blower
HAR-160U	225	8.9	2.5	3	SHD-160U / 230U	for 0.12kW Blower
HAR-300U	225	8.9	2.5	4	SHD-300U / 450U	for 0.18kW Blower
HAR-600U	225	8.9	3	4	SHD-600U / 750U	for 0.55kW Blower
HAR-900U	225	8.9	4	4	SHD-900U	for 0.55kW Blower
HAR-1200U	225	8.9	4	4	SHD-1200U	for 1.1kW Blower
HAR-1500U	280	11	5	5	SHD-1500U/2000U	for 3.7kW Blower
HAR-2500U	340	13.4	8	8	SHD-2500U/3500U	for 5.5/7.5kW Blower
HAR-4000U	340	13.4	8	8	SHD-4000U/5000U	for 7.5/11kW Blower
HAR-6000U	420	16.5	8	8	SHD-6000U/7000U	for 15/18.5kW Blower
HAR-8000U	420	16.5	10	10	SHD-8000U	for 22kW Blower

Exhaust Air Filter

Effectively filters up to 90% of the dust contained air discharge from the dryer to avoid contamination.



Model	Filter Barrel Dia.		Air Inlet Pipe Dia. (inch)	Air Outlet Pipe Dia. (inch)	Applied to
	mm	Inch			
ADC-20U	127	5	1.5	2	SHD-20U
ADC-40U	127	5	1.5	2	SHD-40U
ADC-80U	225	8.9	2	3	SHD-80U/120U
ADC-160U	225	8.9	2.5	3	SHD-160U/230U
ADC-300U	225	8.9	2.5	4	SHD-300U/450U
ADC-600U	225	8.9	3	4	SHD-600U/750U
ADC-900U	225	8.9	4	4	SHD-900U/1200U
ADC-1500U	280	11	5	5	SHD-1500U/2000U
ADC-2500U	340	13.4	8	8	SHD-2500U/3500U
ADC-4000U	340	13.4	8	8	SHD-4000U/5000U
ADC-6000U	420	16.5	8	8	SHD-6000U/7000U
ADC-8000U	420	16.5	10	10	SHD-8000U

Shini Group

Addr: No. 23, Minhe St., Shulin Dist.,
New Taipei, Taiwan

Tel: +886 2 2680 9119

Fax: +886 2 2680 9229

Email: shini@shini.com

Factories:

- Taiwan
- Dongguan
- Pinghu
- Ningbo
- Chongqing
- Pune