

SVM-160U	Ver.F
SVM-300U	Ver.E

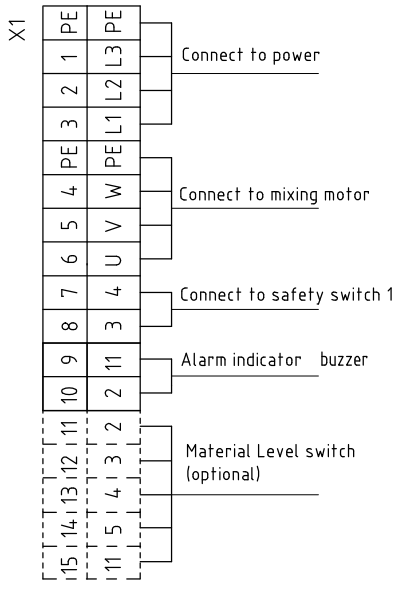
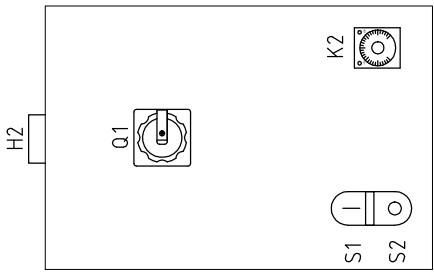
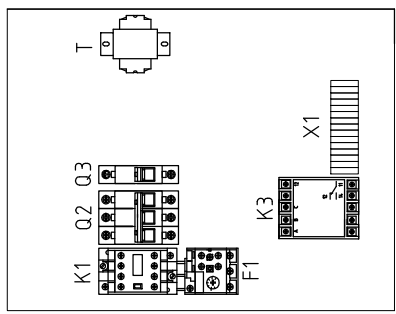
Mark	Before modification	Modified by	Modify date	Checked by	Date	Approved by	Version	G
					20191205			
<p>SHINI</p> <p>信易電熱機械股份有限公司 Shini Plastics Technologies, Inc.</p>								
Title SVM-160U/300U			Drawing NO. SVM-160U/300U-CE-400V-G-1			Scale		
Circuit Diagram			Standard CE			Page 1		
Voltage 400V			Frequency 50Hz			Totally 3 Pages		

1 2 3 4 5 6 7 8

A B C D

1 2 3 4 5 6 7 8

A B C D



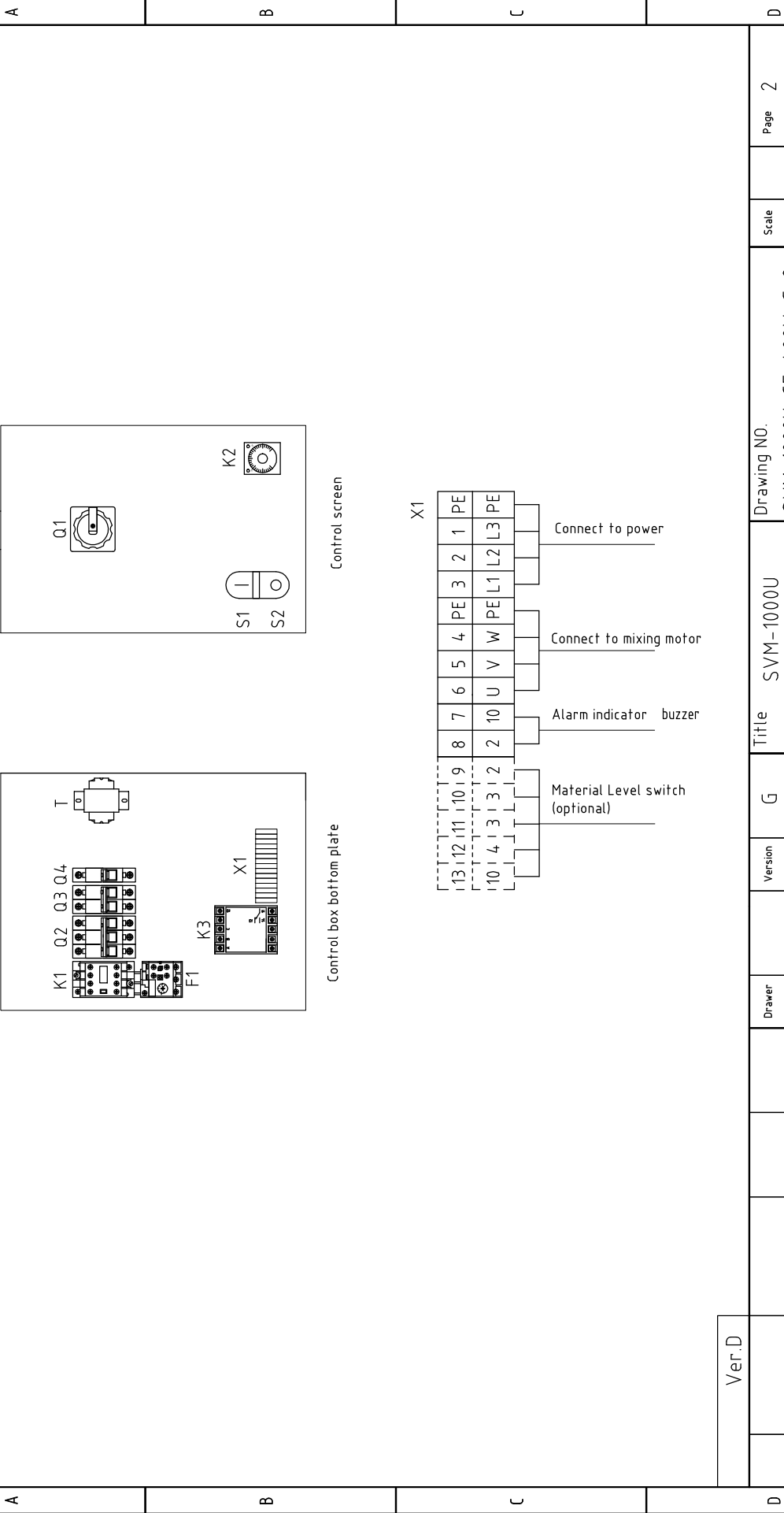
SVM-160U	Ver.F
SVM-300U	Ver.E

Mark	Before modification	Modified by	After modification	Modified date	Checked by	Proofread by	Designer	Drawer	Version	G	Title SVM-160U/300U Electrical Components Layout	Drawing NO. SVM-160U/300U-CE-400V-G-2	Scale	Page 2		
	Standard												CE	Totally 3	Pages	
Mark	Before modification	Modified by	After modification	Modified date	Checked by	Proofread by	Designer	Drawer	Version	G	SHINI 信易電熱機械股份有限公司 Shini Plastics Technologies, Inc.		Voltage 400V	Frequency 50HZ		
1				20191205									Standard	CE	Totally 3	Pages
1				20191205									Standard	CE	Totally 3	Pages


1 2 3 4 5 6 7 8

A B C D


1 2 3 4 5 6 7 8

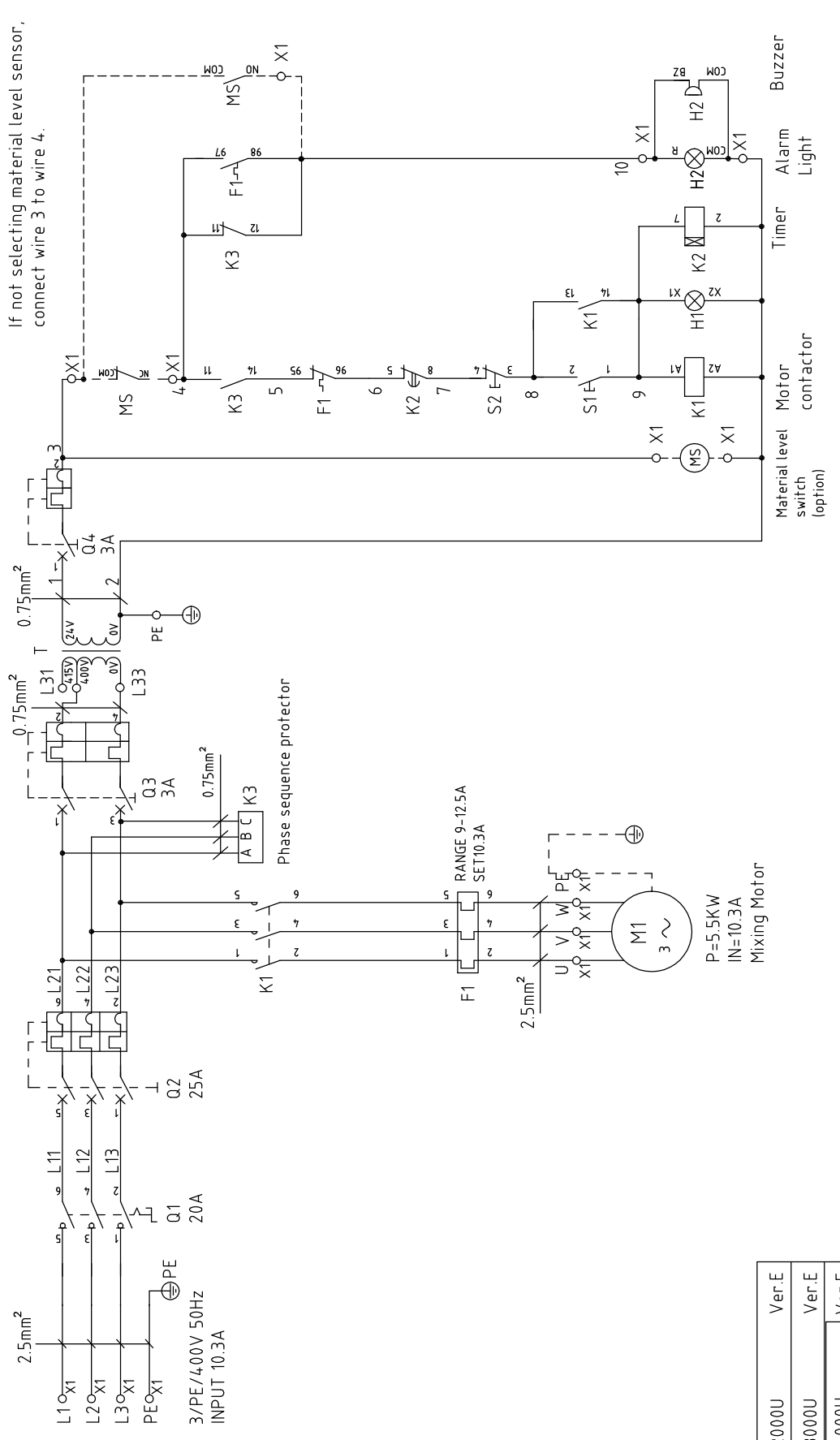


Ver.D

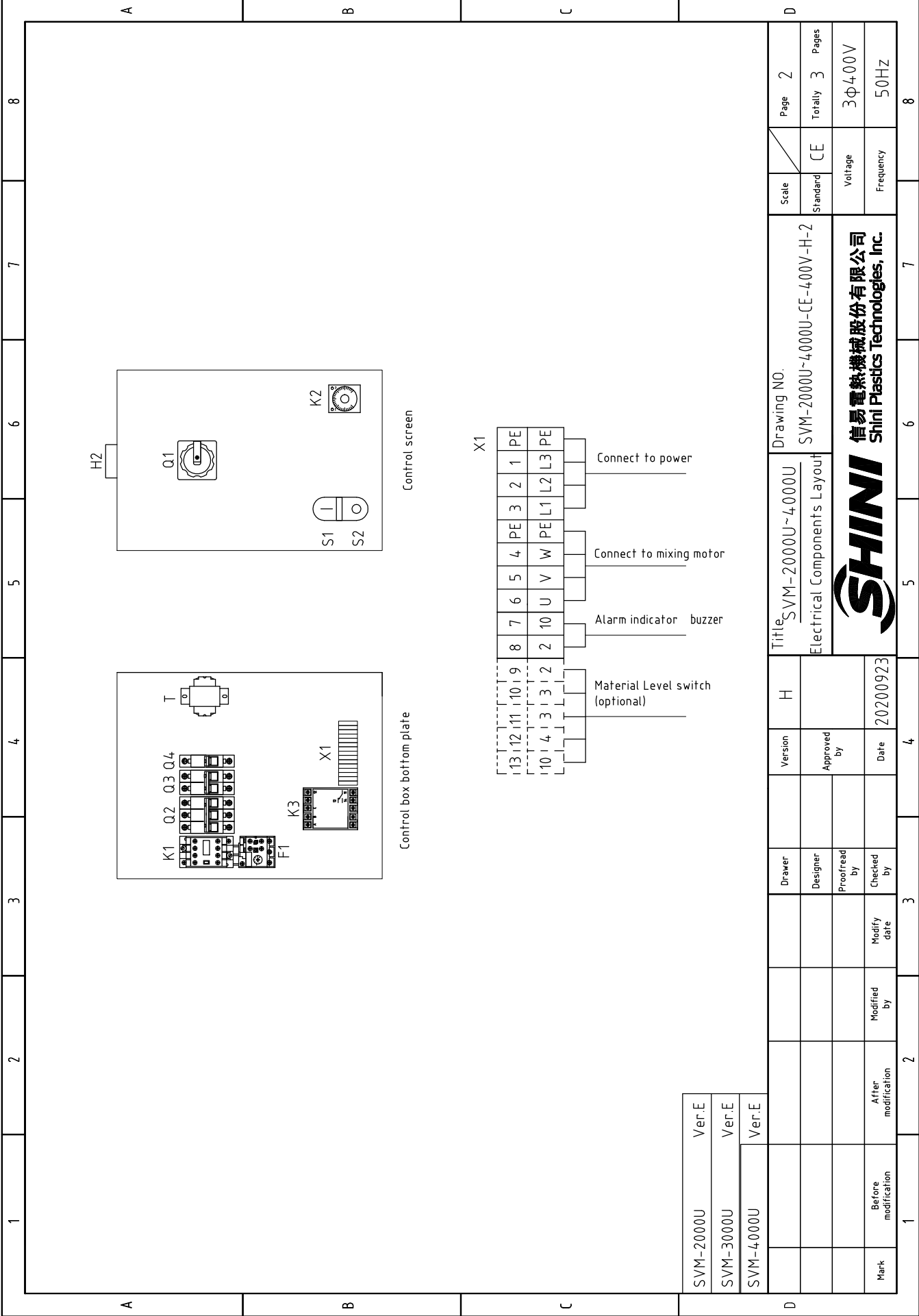
Mark	Before modification	Modified by	Modified date	Checked by	Date	Approved by	Version	G	Title	SVM-1000U	Drawing NO.	Scale	Page
	Standard											CE	Totally
					20191205				Electrical Components Layout	SVM-1000U-CE-400V-G-2		Standard	Totally
									 信易電熱機械股份有限公司 Shini Plastics Technologies, Inc.			Voltage	400V
								Frequency		50HZ			

1 2 3 4 5 6 7 8

1		2		3		4		5		6		7		8	
NO.	Symbol	Name	Manufacturer	Type	Specification	Number	Material number	Remark							
1	Q1	Main power switch	EATON	T0-2-1/EA/SVB	20A	1	YE10021160000								
2	Q2	Circuit breaker	TECO	BM-63C/3016	16A	1	YE40301603000								
3	Q3	Circuit breaker	TECO	BM-63C/2003	3A	1	YE40200203000								
4	Q4	Circuit breaker	TECO	BM-63C/1003	3A	1	YE40100203000								
5	K1	Contacto	SIEMENS	3RT6017-1AB01	24VAC	1	YE00601702500								
6	K2	Time relay	YUYUN	TM48S-AB	24VAC	1	YE03482400000								
7	K3	Phase sequence protector	CHAOSHI	ABJ-10W	400V	1	YE03103800000								
8	T	Transformer	JIUXIN	IN=400/415V OUT=24VAC	80VA	1	YE70040006500								
9	H2	Alarm light	SHINI	Three-color alarm lamp (Red, Yel, Gre + buzzer)	24VDC/VAC	1	BL90000011520								
10	F1	Overload relay	SIEMENS	3RU6116-1JB0	7-10A	1	YE01167100000								
11	X1	Terminal board	HONEYWELL	SK2.5	2.5mm ²	8	YE60002503200								
12			HONEYWELL	SK2.5	2.5mm ²	5	YE60002503200	(2)							
13			HONEYWELL	GK2.5PE	2.5mm ² PE	2	YE60002503400								
14	S1 S2	Control switch	DONGSHENG	APBB-22N(indicator24VAC)	600V 10A	1	YE11222400000								
15	M1	Motor	WEG	4KW	400 50/60Hz	1	----	(1)							
16	MS	Material Level switch	SIPAI	SR-80	24VAC	1	YE15802400100	(1)(2)							
C															
Ver.D Notes: (1)Means it's not the material inside the control box. (2)Means optional material level switch.															
D															
Title SVM-1000U Electrical Components List 1										Drawing NO. SVM-1000U-CE-400V-G-3			Scale Standard	Page 3	
										Voltage 400V			Pages Totally 3		
Mark	Before modification	Modified by	Modified date	Checked by	Proofread by	Designer	Drawer	Version	G	Date		Frequency 50HZ		8	
			20191205												

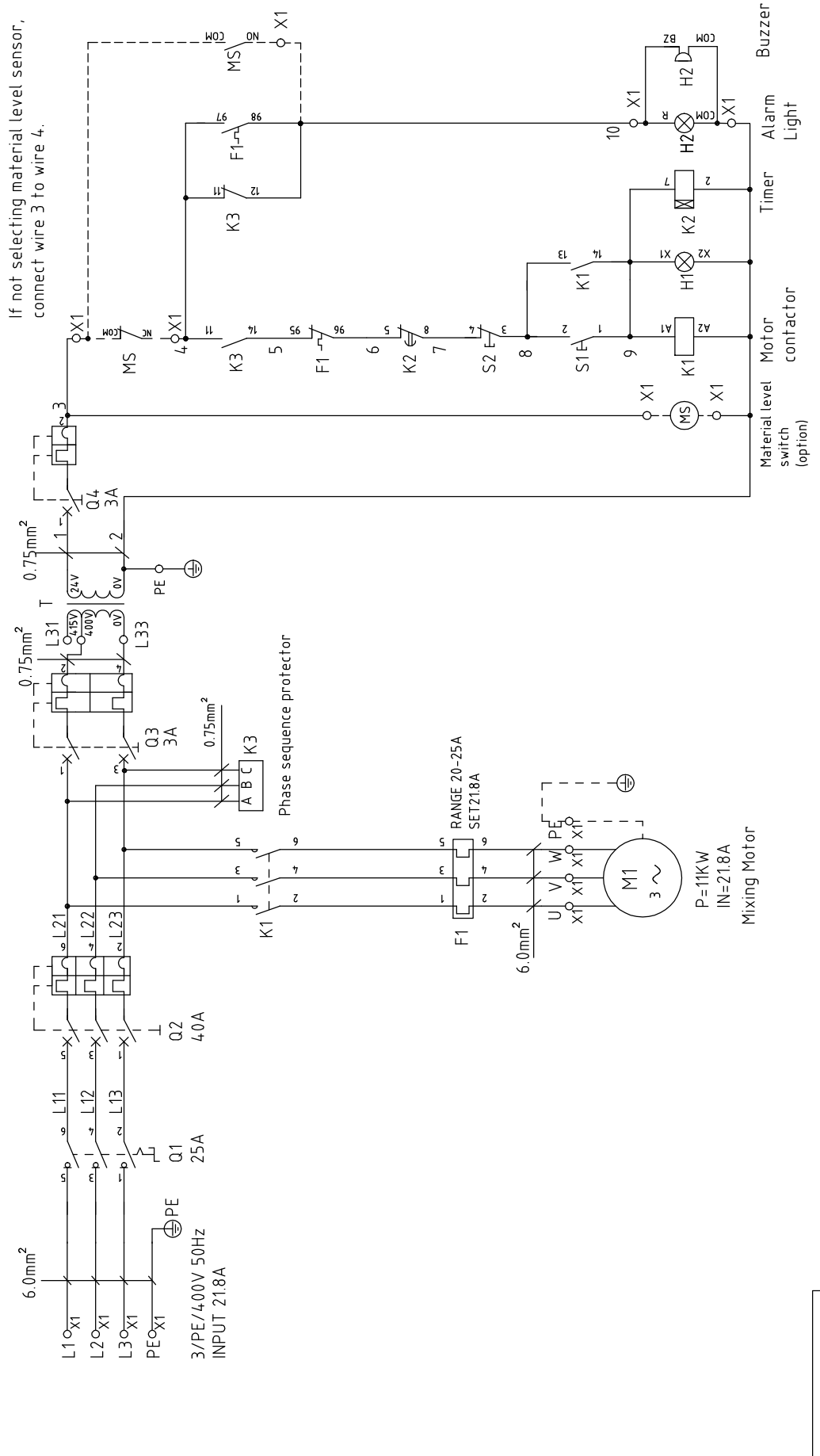


SVM-2000U		Ver.E	H		Version		Title		Scale		Page		
SVM-3000U		Ver.E	H		Approved by		SVM-2000U~4000U		Standard		Totally		
SVM-4000U		Ver.E	H		Checked by		Main Circuit Diagram		CE		3		
Mark		Before modification	Date		Date		SHINI		Voltage		3φ400V		
1		2	3		4		SHINI		Frequency		50HZ		
2		3		4		SHINI		Drawing No.		8		8	
3		4		5		SHINI		SVM-2000U~4000U-CE-400V-H-1		8		8	
4		5		6		SHINI		信易電熱機械股份有限公司		8		8	
5		6		7		SHINI		Shini Plastics Technologies, Inc.		8		8	
6		7		8		SHINI		SHINI		8		8	
7		8		9		SHINI		SHINI		8		8	
8		9		10		SHINI		SHINI		8		8	



SVM-2000U	Ver.E
SVM-3000U	Ver.E
SVM-4000U	Ver.E


Mark	Before modification	Modified by	Modify date	Checked by	Date	Approved by	Version	H	Title	Drawing NO.	Scale	Page
	After modification	Modified by	Modify date								Standard	Totally
SVM-2000U~4000U										CE	2	
Electrical Components Layout										SVM-2000U~4000U-CE-400V-H-2	3	
SHINI 信易電熱機械股份有限公司 Shini Plastics Technologies, Inc.										Voltage	3Φ400V	
										Frequency	50HZ	
										8		



If not selecting material level sensor,
connect wire 3 to wire 4.

Ver.C

Mark	Before modification	Modified by	Modify date	Checked by	Date	Approved by	Version	G	Title	Drawing NO.		Scale	Page
	After modification									Modified by	Modify date	Checked by	Date
SVM-10000U Circuit Diagram										SVM-10000U-CE-400V-G-1		Standard	CE
SHINI 信易電熱機械股份有限公司 Shini Plastics Technologies, Inc.										Voltage		400V	
										Frequency		50HZ	
										Voltage		400V	
										Frequency		50HZ	

1		2		3		4		5		6		7		8		
NO.	Symbol	Name	Manufacturer	Type	Specification	Number	Material number	Remark								
1	Q1	Main power switch	EATON	P1-25/EA/SVB	25A	1	YE10125250000									
2	Q2	Circuit breaker	TECO	BM-63C/3040	40A	1	YE40304003000									
3	Q3	Circuit breaker	TECO	BM-63C/2003	3A	1	YE40200203000									
4	Q4	Circuit breaker	TECO	BM-63C/1003	3A	1	YE40100203000									
5	K1	Contact	SIEMENS	3RT6027-1AC20	24VAC	1	YE00602702600									
6	K2	Time relay	YUYUN	TM48S-AB	24VAC	1	YE03482400000									
7	K3	Phase sequence protector	CHAOSHI	ABJ-10W	400V	1	YE03103800000									
8	T	Transformer	JIUXIN	IN=400/415V OUT=24VAC	80VA	1	YE70040006500									
9	H2	Alarm light	SHINI	Three-color alarm lamp (Red, Yel, Gre + buzzer)	24VDC/VAC	1	BL90000011520									
10	F1	Overload relay	SIEMENS	3RU6126-4DB0	20-25A	1	YE01260200000									
11	X1	Terminal board	HONEYWELL	GK6	6.0mm ²	6	YE60000603200									
12			HONEYWELL	GK6PE	6.0mm ² PE	2	YE60000603500									
13			HONEYWELL	SK2.5	2.5mm ²	2	YE60002503200									
14			HONEYWELL	SK2.5	2.5mm ²	5	YE60002503200	(2)								
15	S1 S2	Control switch	DONGSHENG	APBB-22N(indicator24VAC)	600V 10A	1	YE11222400000									
16	M1	Motor	WEG	11KW	400 50/60Hz	1	----	(1)								
17	MS	Material Level switch	SIPAI	SR-80	24VAC	1	YE15802400100	(1)(2)								
C																
Ver.C Notes: (1)Means it's not the material inside the control box. (2)Means optional material level switch.																
D																
Title SVM-10000U Electrical Components List 1										Drawing NO. SVM-10000U-CE-400V-G-3			Scale CE	Page 3	Totally 3 Pages	
										信易電熱機械股份有限公司 Shini Plastics Technologies, Inc.			Voltage 400V		Frequency 50HZ	
Mark	Before modification	Modified by	Modify date	Checked by	Date	20191205										
1 2 3 4 5 6 7 8																